



US00D374455S

**United States Patent** [19]  
**Senshiki**

[11] **Patent Number:** **Des. 374,455**  
[45] **Date of Patent:** **\*\*Oct. 8, 1996**

[54] **IMAGE FORMING APPARATUS**

D. 353,616 12/1994 Ishibashi et al. .... D18/40 X

[75] Inventor: **Yasunori Senshiki**, Machida, Japan

*Primary Examiner*—Nelson C. Holtje

*Assistant Examiner*—Caron D. Veynar

[73] Assignee: **Canon Kabushiki Kaisha**, Tokyo, Japan

*Attorney, Agent, or Firm*—Fitzpatrick, Cella, Harper & Scinto

[\*\*] Term: **14 Years**

[57] **CLAIM**

[21] Appl. No.: **42,790**

The ornamental design for an image forming apparatus, as shown and described.

[22] Filed: **Aug. 17, 1995**

**DESCRIPTION**

[30] **Foreign Application Priority Data**

FIG. 1 is a front elevational view of an image forming apparatus showing my new design;  
FIG. 2 is a rear elevational view thereof;  
FIG. 3 is a top plan view thereof;  
FIG. 4 is a bottom plan view thereof;  
FIG. 5 is a left side elevational view thereof;  
FIG. 6 is a right side elevational view thereof; and,  
FIG. 7 is a perspective view thereof.

Feb. 21, 1995 [JP] Japan ..... 7-4401

[52] **U.S. Cl.** ..... **D18/43; D18/40**

[58] **Field of Search** ..... D18/22, 40, 43,  
D18/56, 36; 118/653, 657; 141/1; 222/DIG. 1,  
166, 240, 325, 541; 355/200, 245, 260

[56] **References Cited**

**U.S. PATENT DOCUMENTS**

D. 303,543 9/1989 Seki ..... D18/36

**1 Claim, 2 Drawing Sheets**

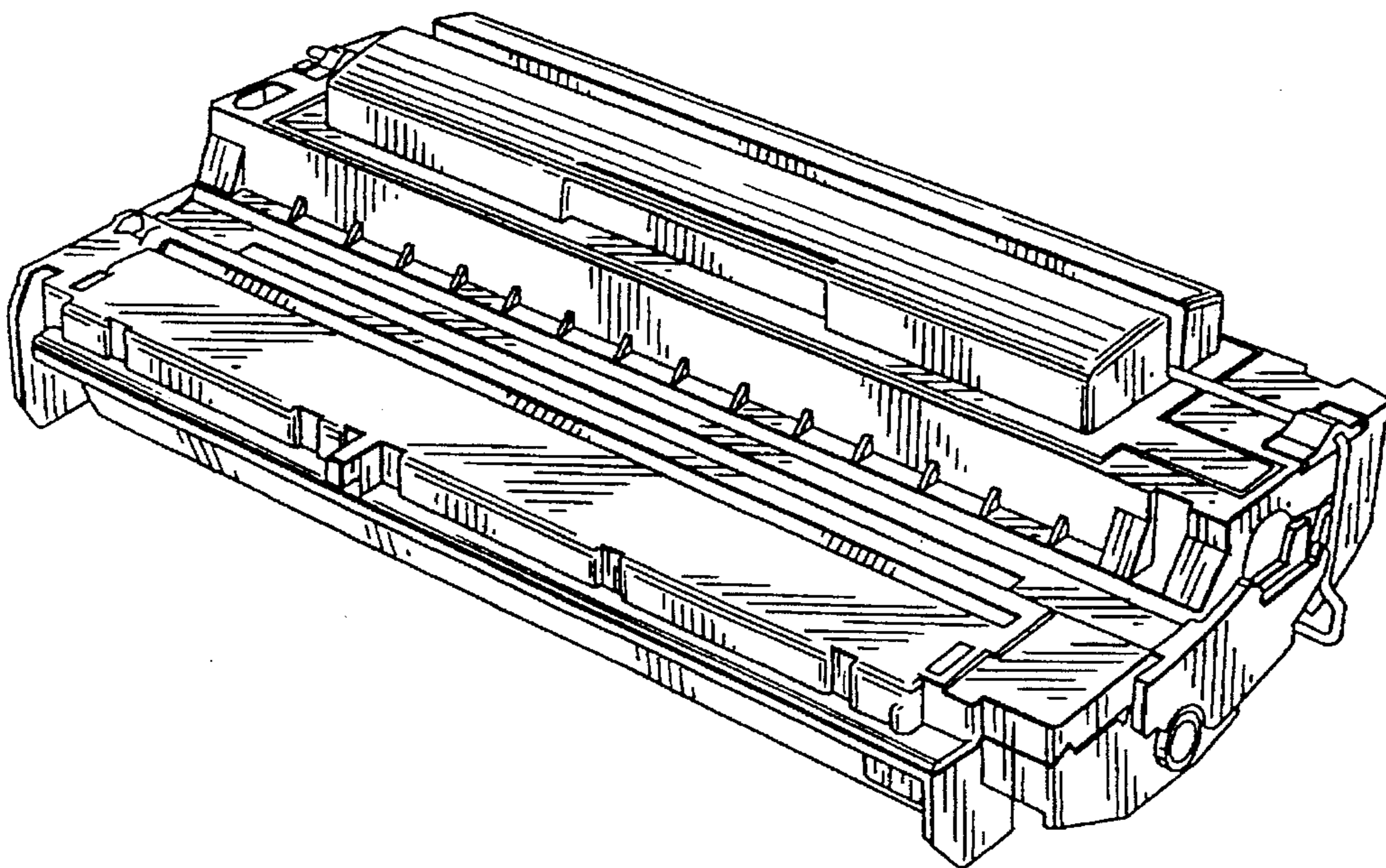


FIG. 1

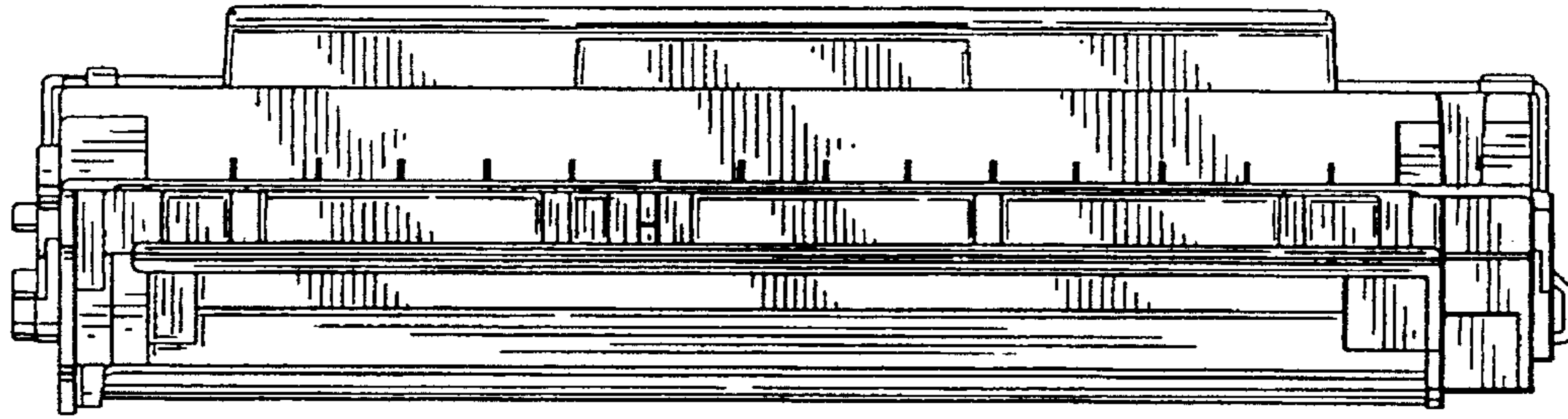


FIG. 2

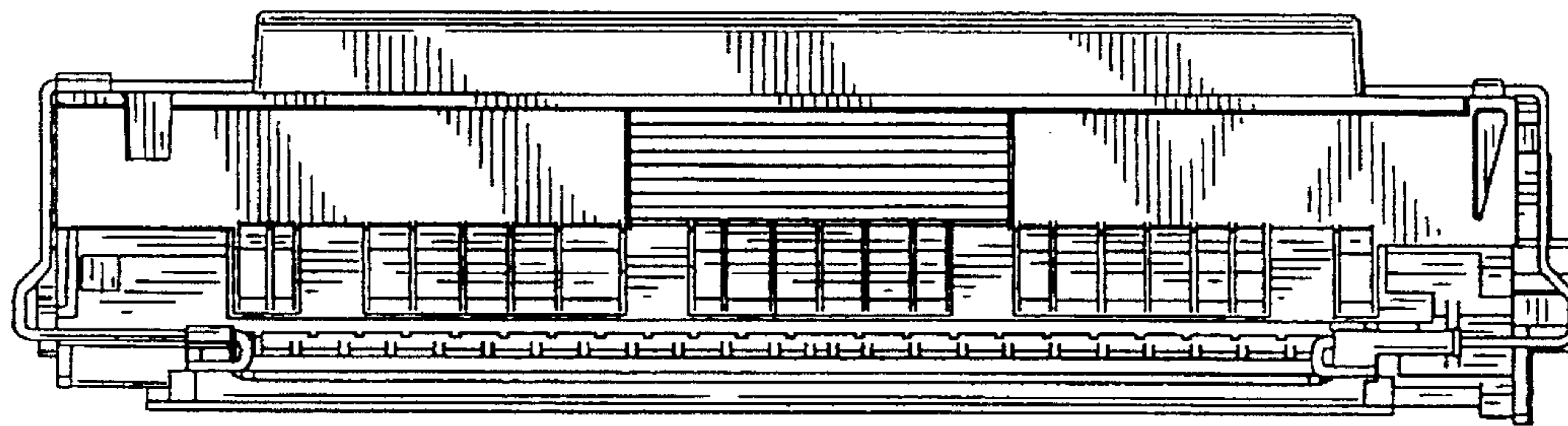


FIG. 3

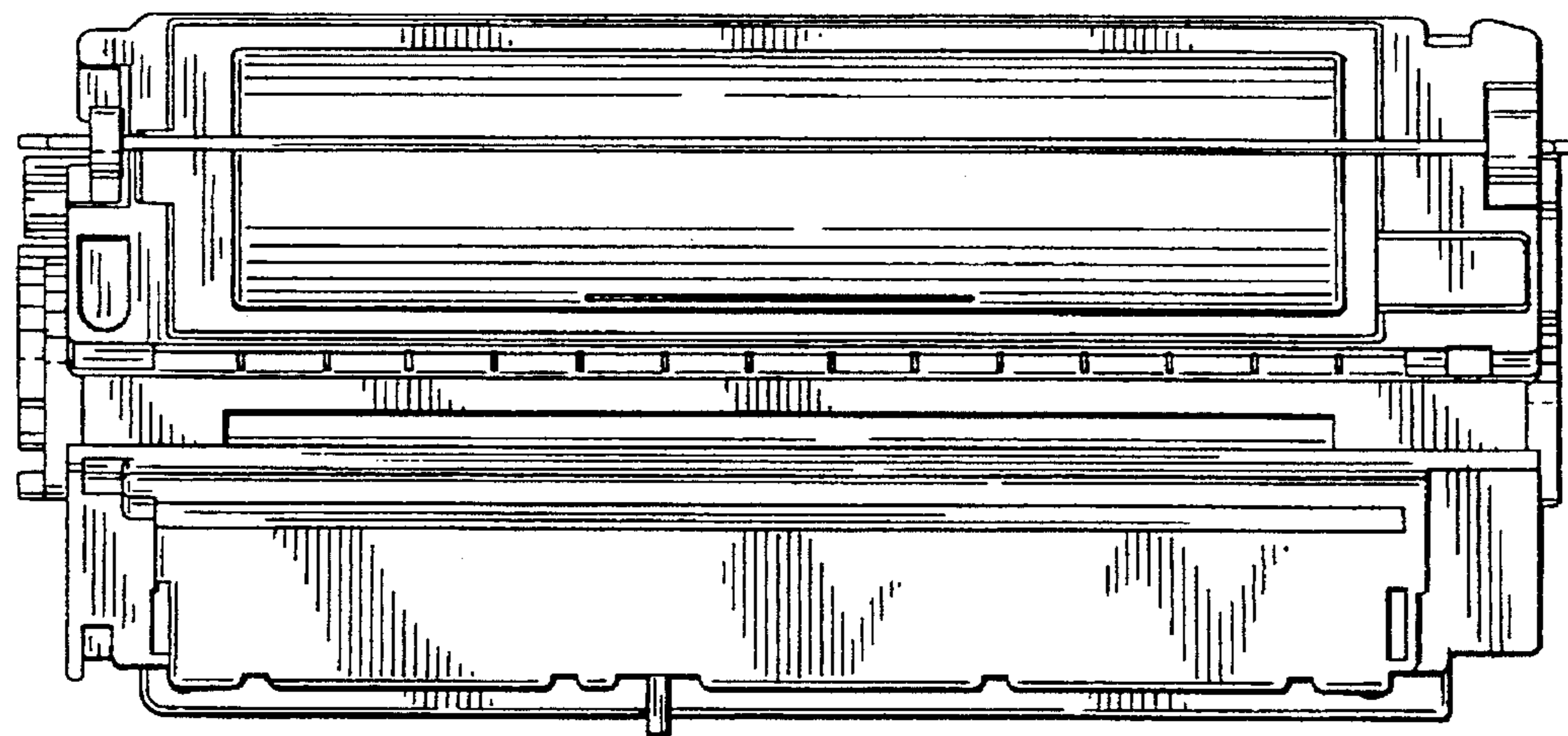


FIG. 4

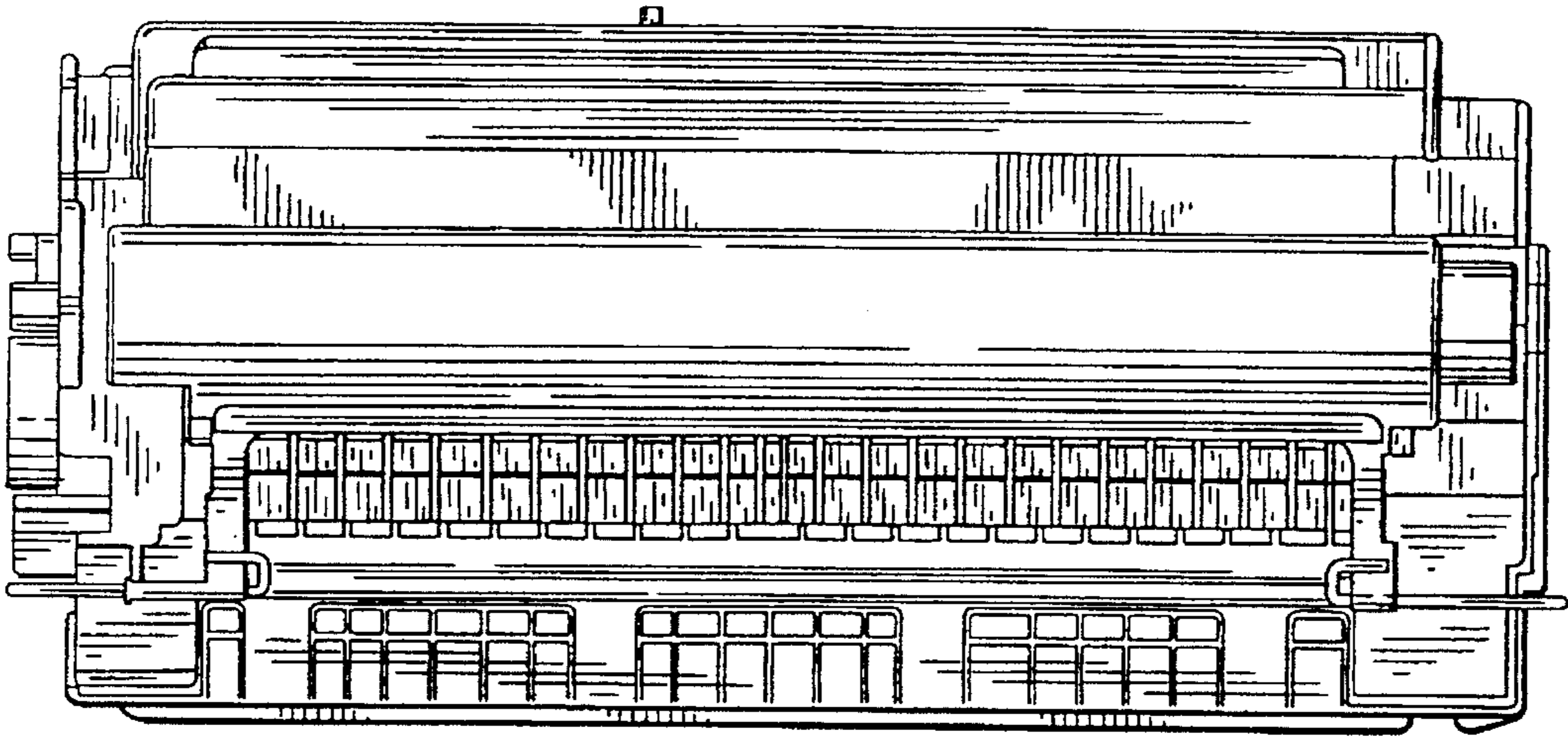


FIG. 5

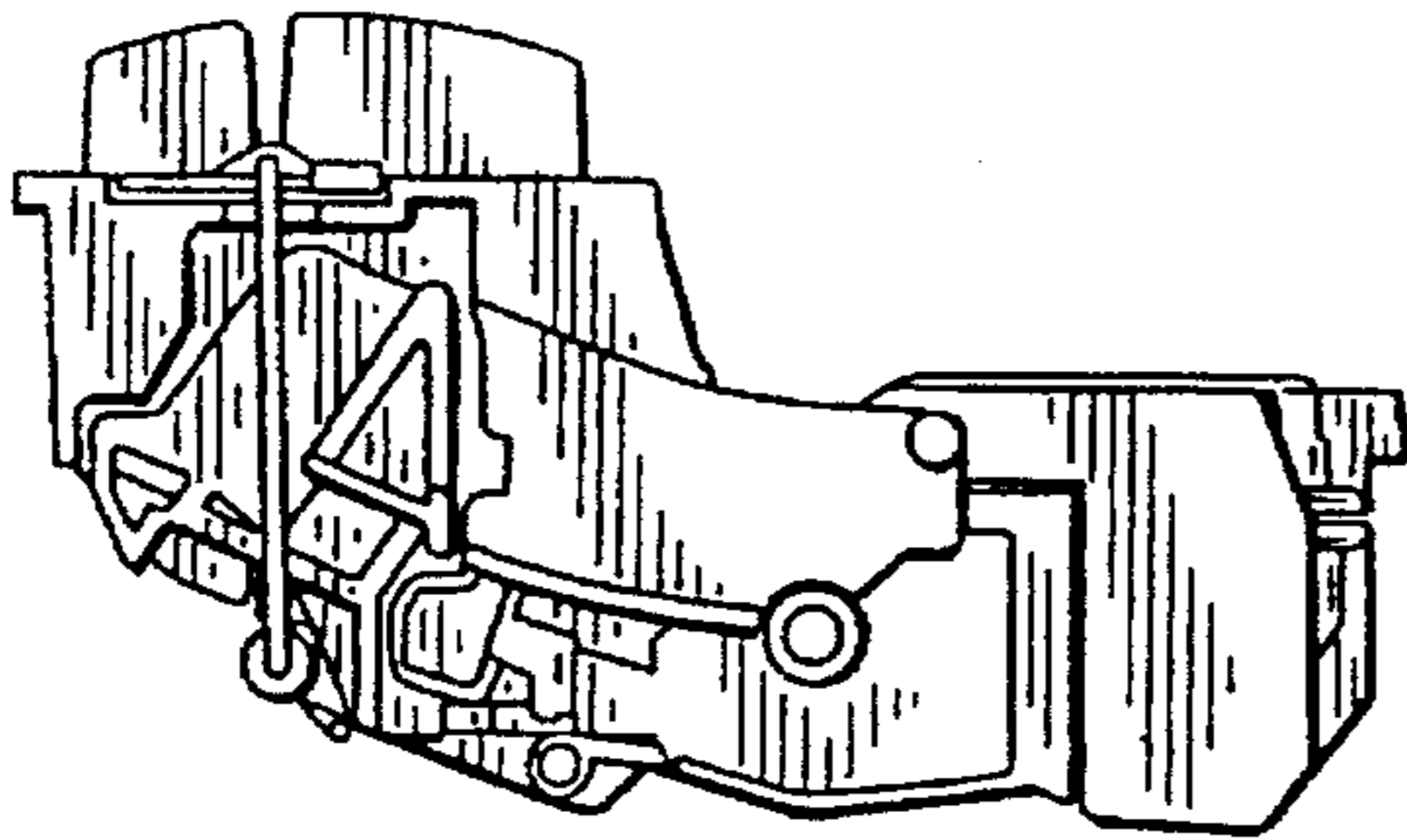


FIG. 6

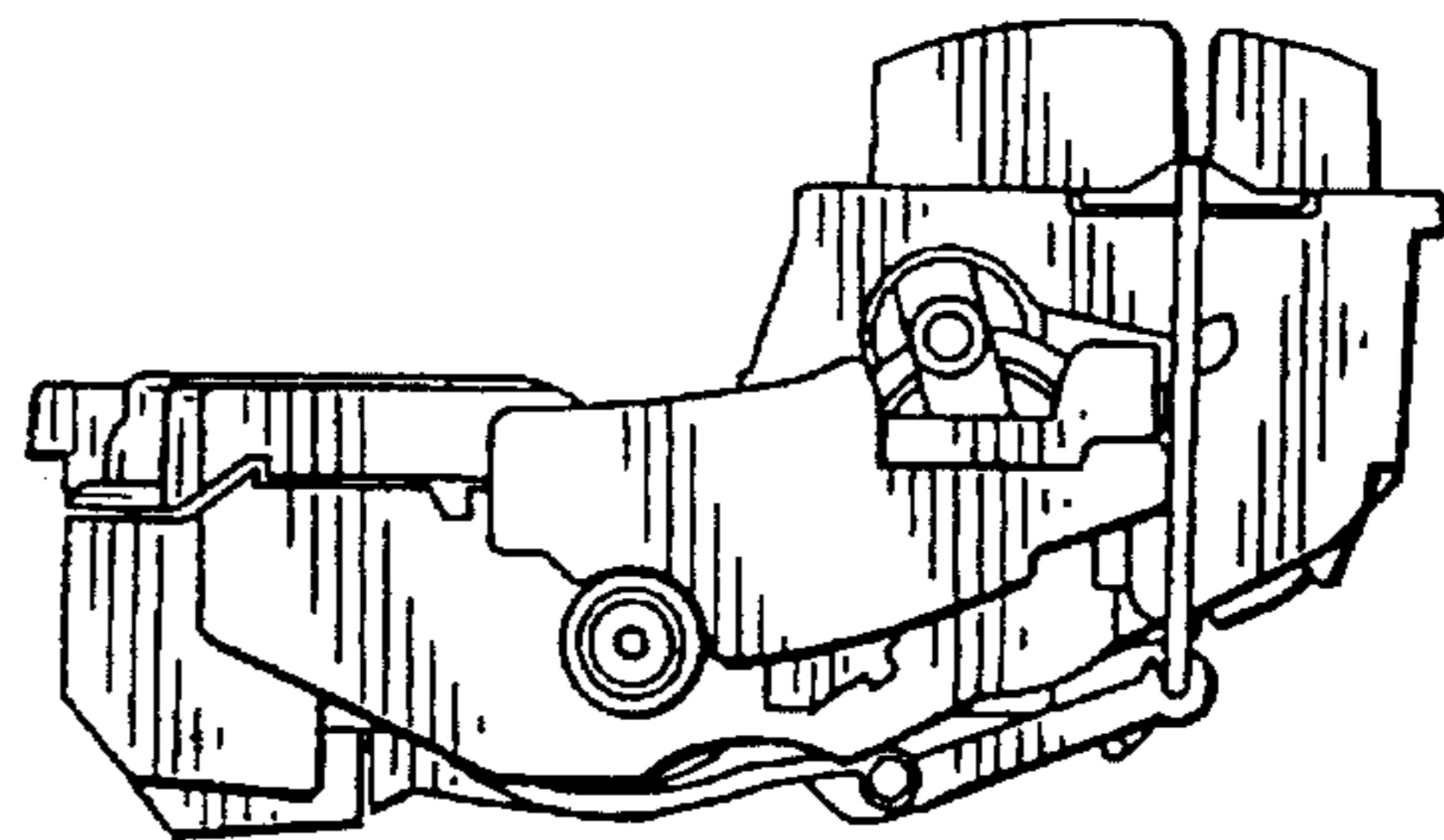


FIG. 7

