



US00D374449S

United States Patent [19]

Fukushima et al.

[11] Patent Number: **Des. 374,449**

[45] Date of Patent: ****Oct. 8, 1996**

[54] CAMERA

[75] Inventors: **Hiroyuki Fukushima**, Kamifukuoka;
Akira Yoshihara, Yokohama, both of
Japan

[73] Assignee: **Canon Kabushiki Kaisha**, Tokyo,
Japan

[**] Term: **14 Years**

[21] Appl. No.: **41,715**

[22] Filed: **Jul. 24, 1995**

[30] Foreign Application Priority Data

Jan. 25, 1995 [JP] Japan 7-1503

[52] U.S. Cl. **D16/208**; D16/200

[58] Field of Search D16/200-204,
D16/208, 209, 211, 212, 213, 216-218;
354/126, 127.11, 149.11, 187, 202, 288

[56] References Cited

U.S. PATENT DOCUMENTS

- D. 283,427 4/1986 Iguchi D16/212
- D. 295,756 5/1988 Ando et al. D16/209
- D. 323,520 1/1992 Fukushima et al. D16/209

- D. 336,310 6/1993 Fukushima et al. D16/209
- D. 344,743 3/1994 Fukushima et al. D16/209
- D. 352,518 11/1994 Fukushima et al. D16/209
- D. 365,355 12/1995 Horikiri et al. D16/209
- 4,557,574 12/1985 Kohno et al. 354/288
- 5,212,510 5/1993 Baxter 354/149.11

Primary Examiner—Ted Shooman

Assistant Examiner—Adir Aronovich

Attorney, Agent, or Firm—Fitzpatrick, Cella, Harper &
Scinto

[57] CLAIM

The ornamental design for a camera, as shown and described.

DESCRIPTION

FIG. 1 is a front elevational view of a camera showing our new design;

FIG. 2 is a rear elevational view thereof;

FIG. 3 is a top plan view thereof;

FIG. 4 is a bottom plan view thereof;

FIG. 5 is a left side elevational view thereof;

FIG. 6 is a right side elevational view thereof; and,

FIG. 7 is a perspective view thereof.

1 Claim, 3 Drawing Sheets

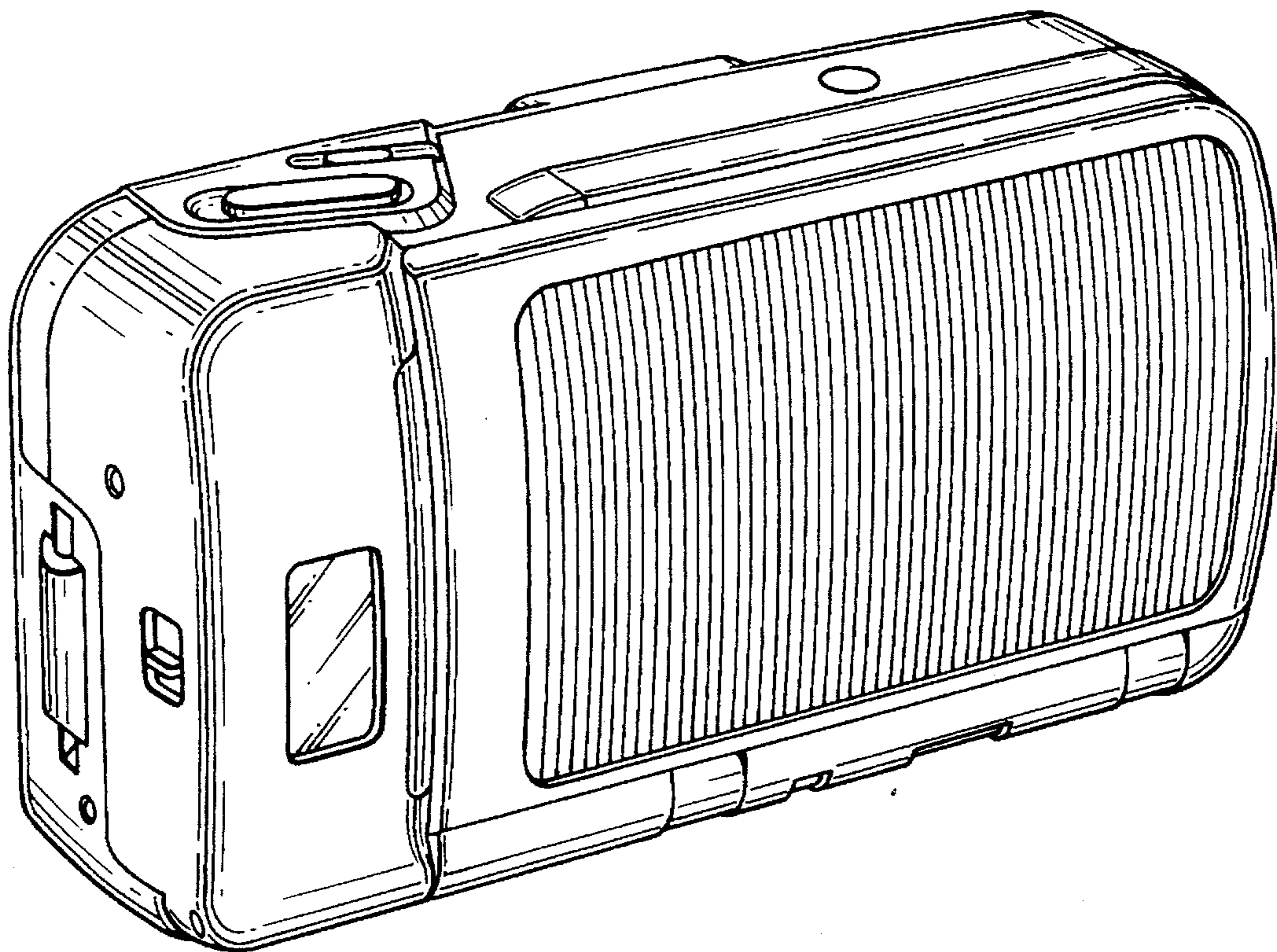


FIG. 1

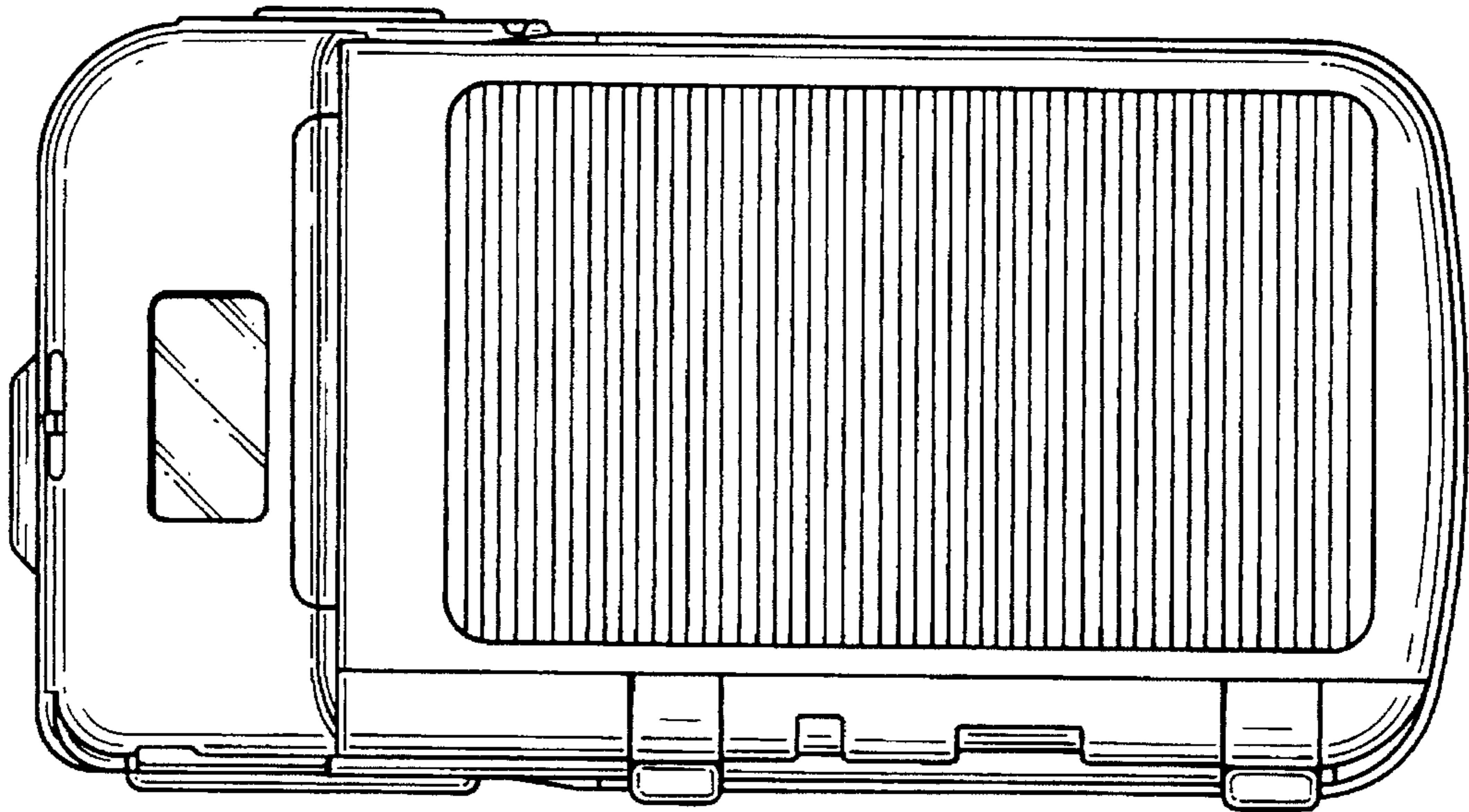


FIG. 2

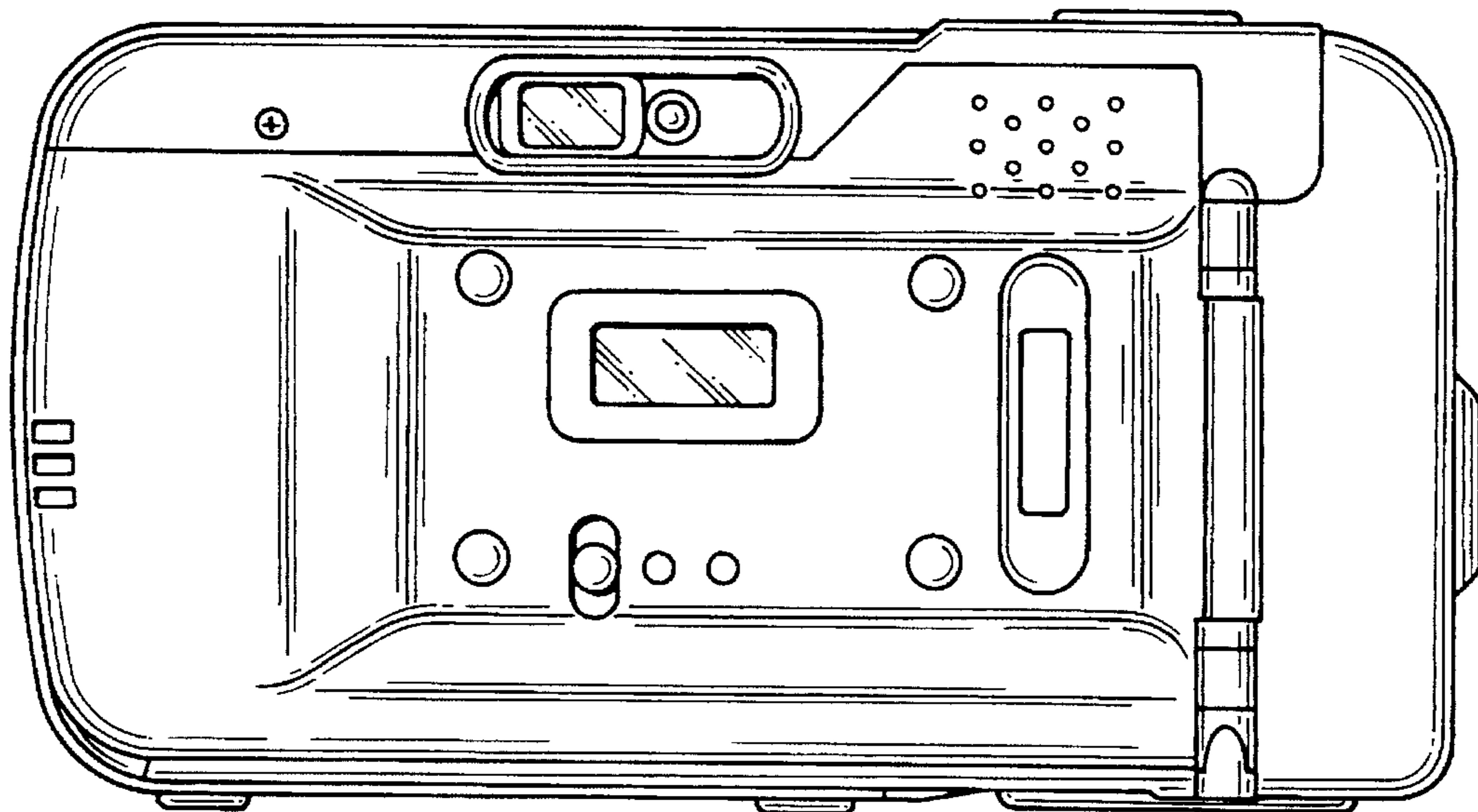


FIG. 3

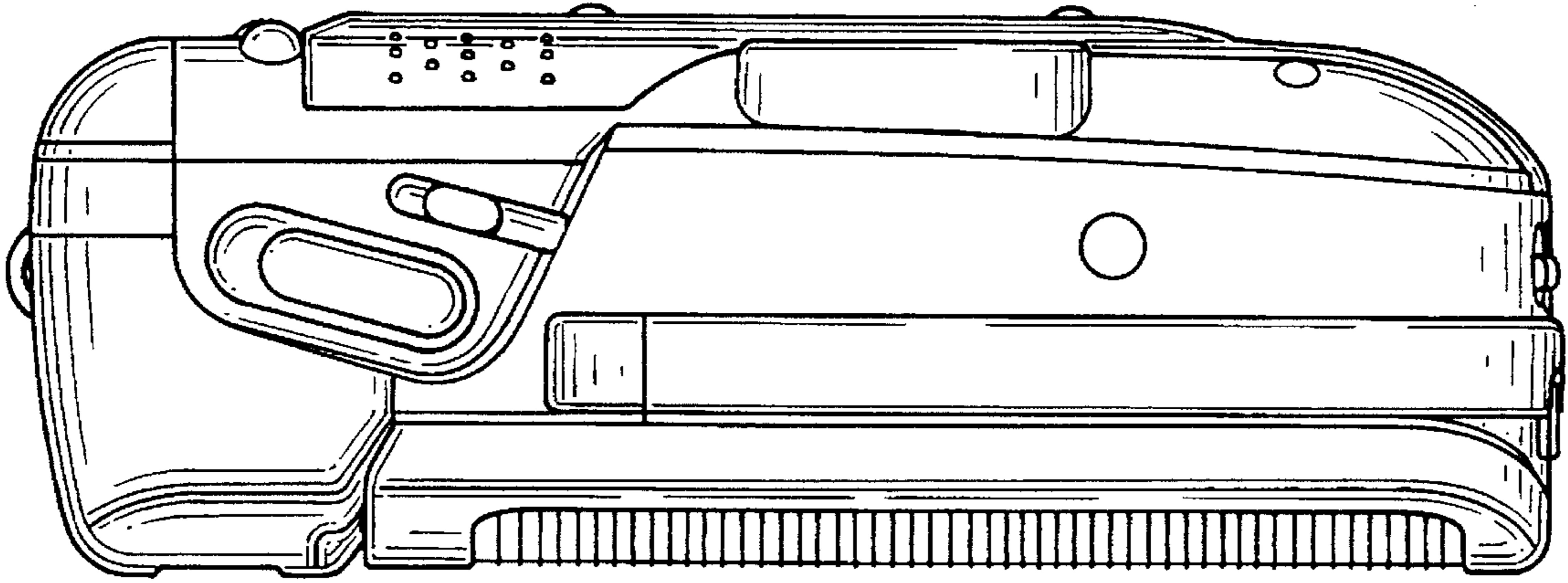


FIG. 4

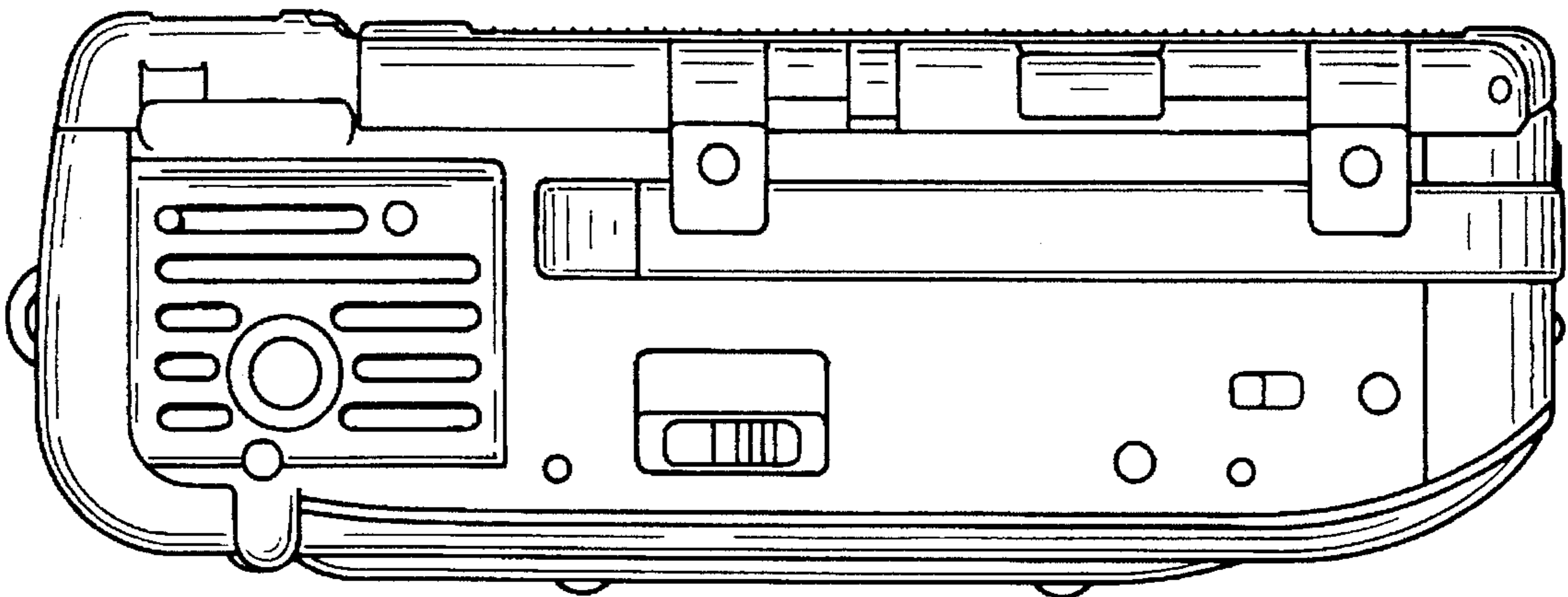


FIG. 5

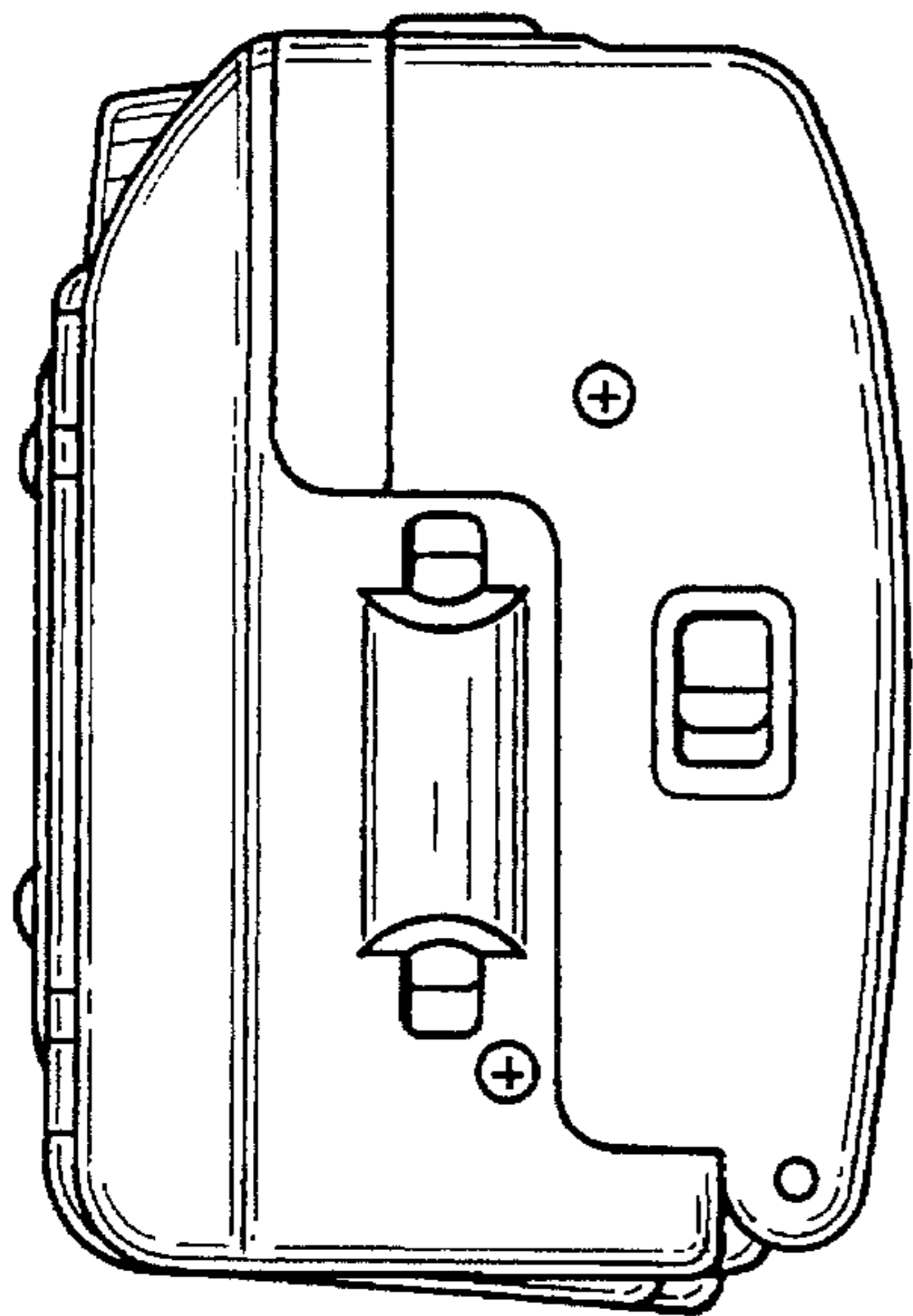


FIG. 6

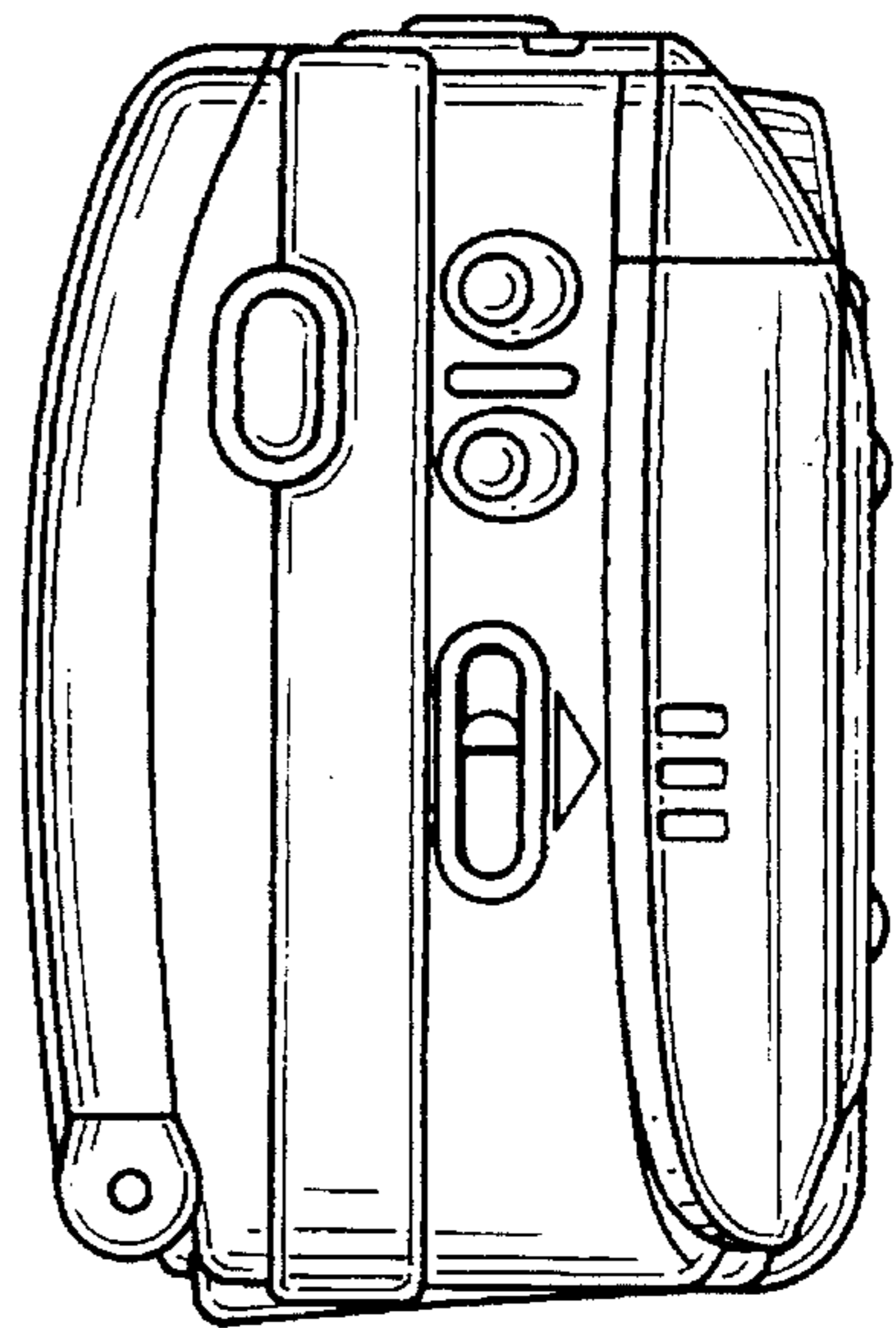


FIG. 7

