



US00D374447S

# United States Patent [19]

Brewer

[11] Patent Number: **Des. 374,447**

[45] Date of Patent: **\*\*Oct. 8, 1996**

[54] **CONTAINER FOR AN OIL AND WASTE LINE CONNECTION**

[76] Inventor: **Jack G. Brewer**, 99 Maple La., Chickasha, Okla. 73018

[\*\*] Term: **14 Years**

[21] Appl. No.: **51,383**

[22] Filed: **Mar. 8, 1996**

[52] U.S. Cl. .... **D15/150**

[58] Field of Search ..... D15/150; 137/312; 141/86, 98; 220/571

4,960,346	10/1990	Tamayo .....	405/52
5,058,633	10/1991	Sharp .....	141/86
5,060,509	10/1991	Webb .....	73/40.5 R
5,101,869	4/1992	Myers .....	141/339
5,152,635	10/1992	Ziu .....	405/52
5,313,991	5/1994	Murray et al. ....	141/86
5,511,573	4/1996	Conte .....	137/15

*Primary Examiner*—Antoine Duval Davis  
*Attorney, Agent, or Firm*—James T. Robinson

### [57] CLAIM

The ornamental design for a container for an oil and waste line connection, as shown and described.

### DESCRIPTION

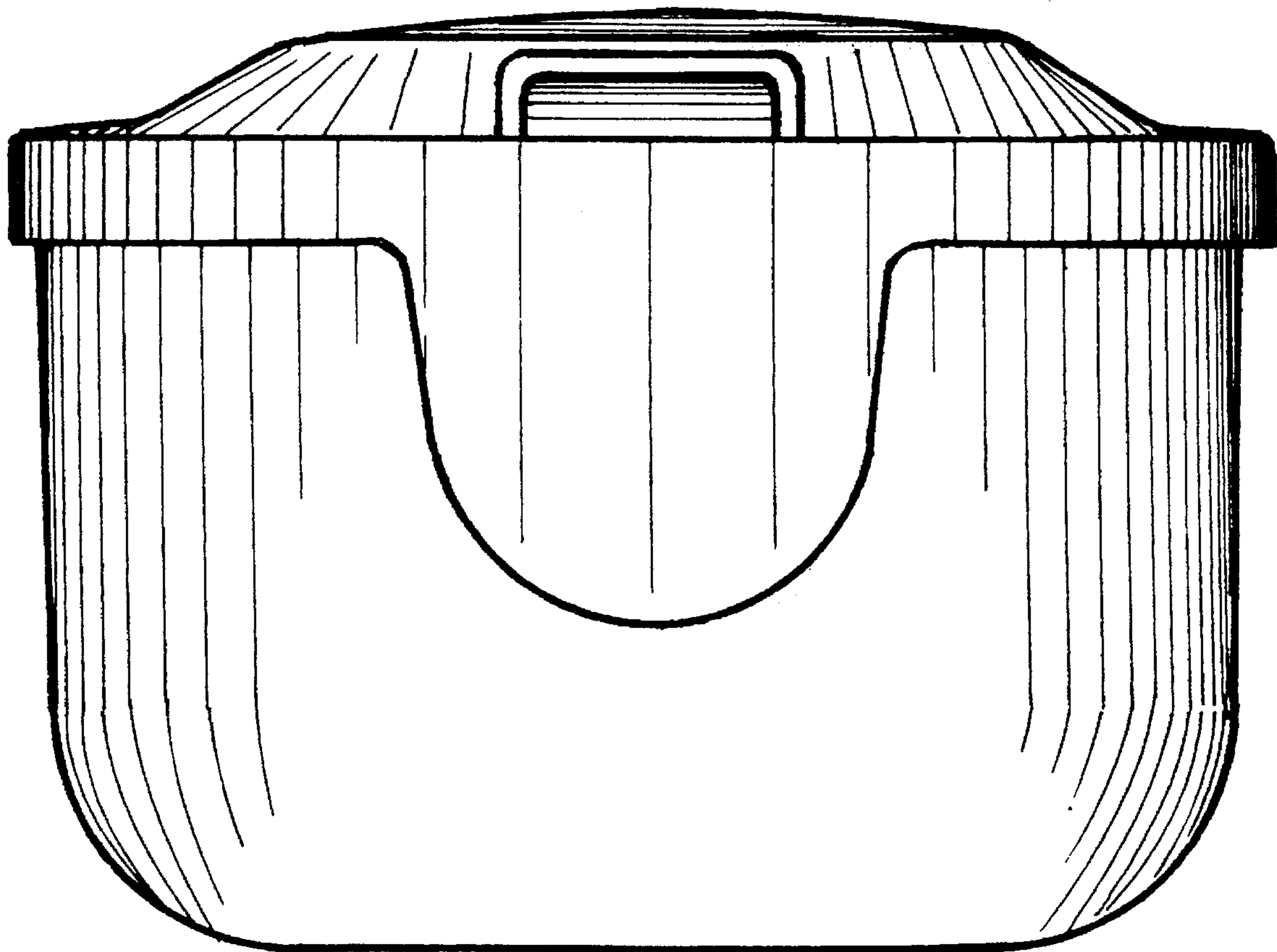
FIG. 1 is a front elevation view of a container for an oil and waste line connection showing my new design; FIG. 2 is a rear elevation view thereof; FIG. 3 is a right side elevation view thereof, with a left side elevation view being a mirror image; FIG. 4 is a top plan view thereof; and, FIG. 5 is a bottom plan view thereof.

**1 Claim, 5 Drawing Sheets**

### [56] References Cited

#### U.S. PATENT DOCUMENTS

D. 337,594	7/1993	Strauch .....	D15/152
441,141	11/1890	Dalton .	
2,438,245	3/1948	Gregg .	
2,954,797	10/1960	Dryer .	
3,562,969	2/1971	Little, Jr. .	
3,721,270	3/1973	Wittgenstein .....	138/104
3,871,401	3/1975	Lyons .....	137/381
4,896,705	1/1990	Podgers et al. ....	141/86



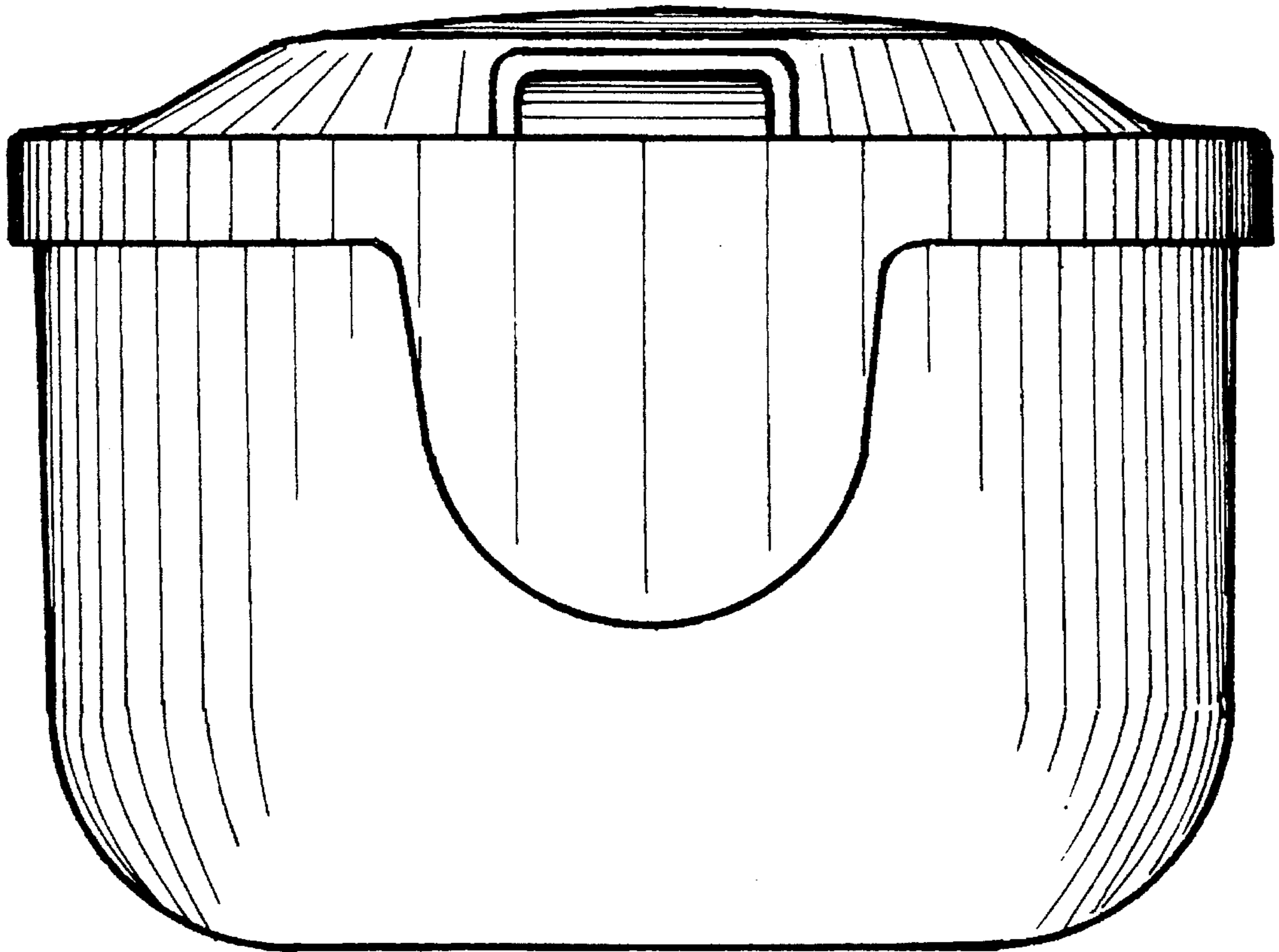


FIG. 1

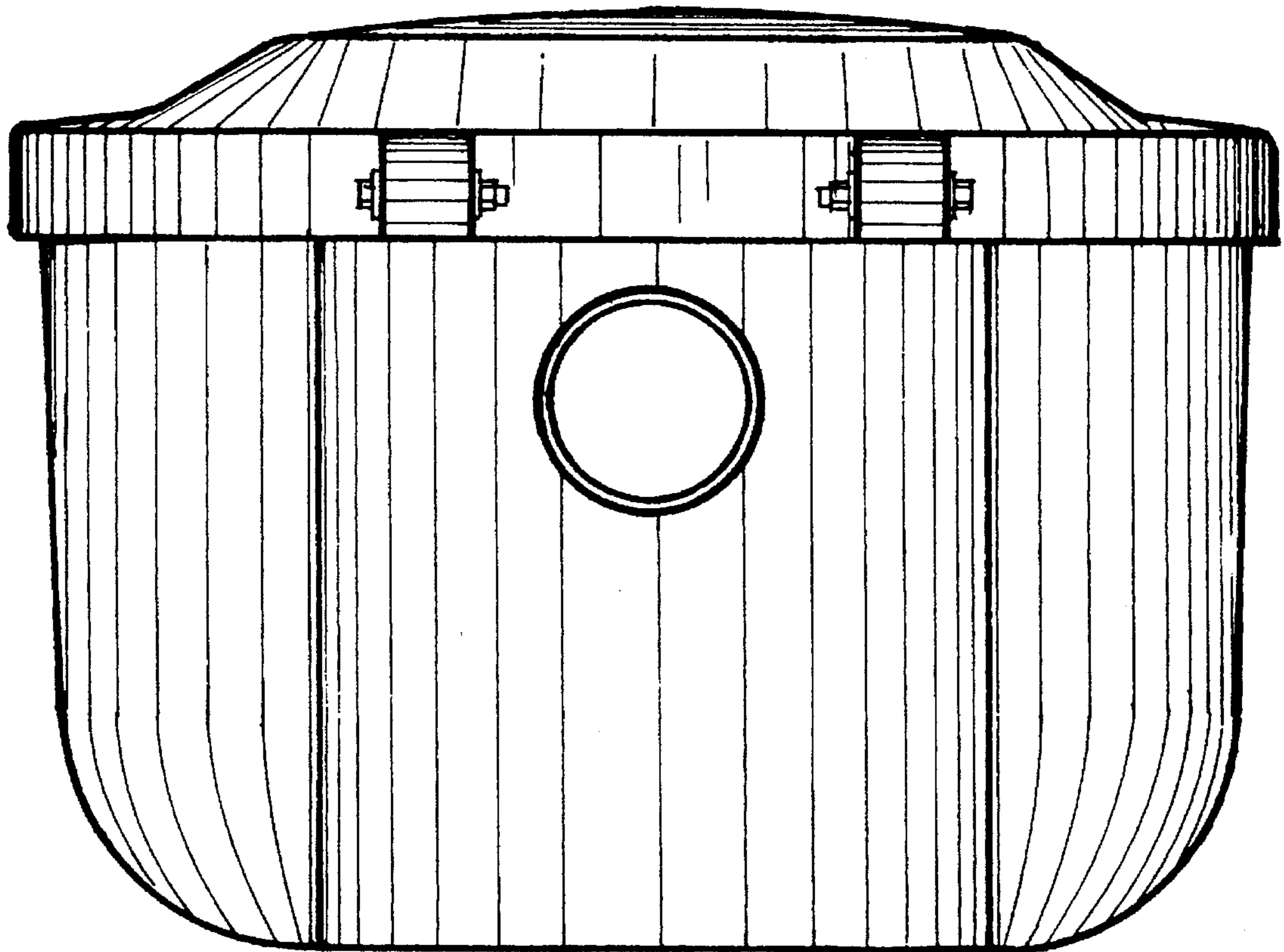


FIG. 2

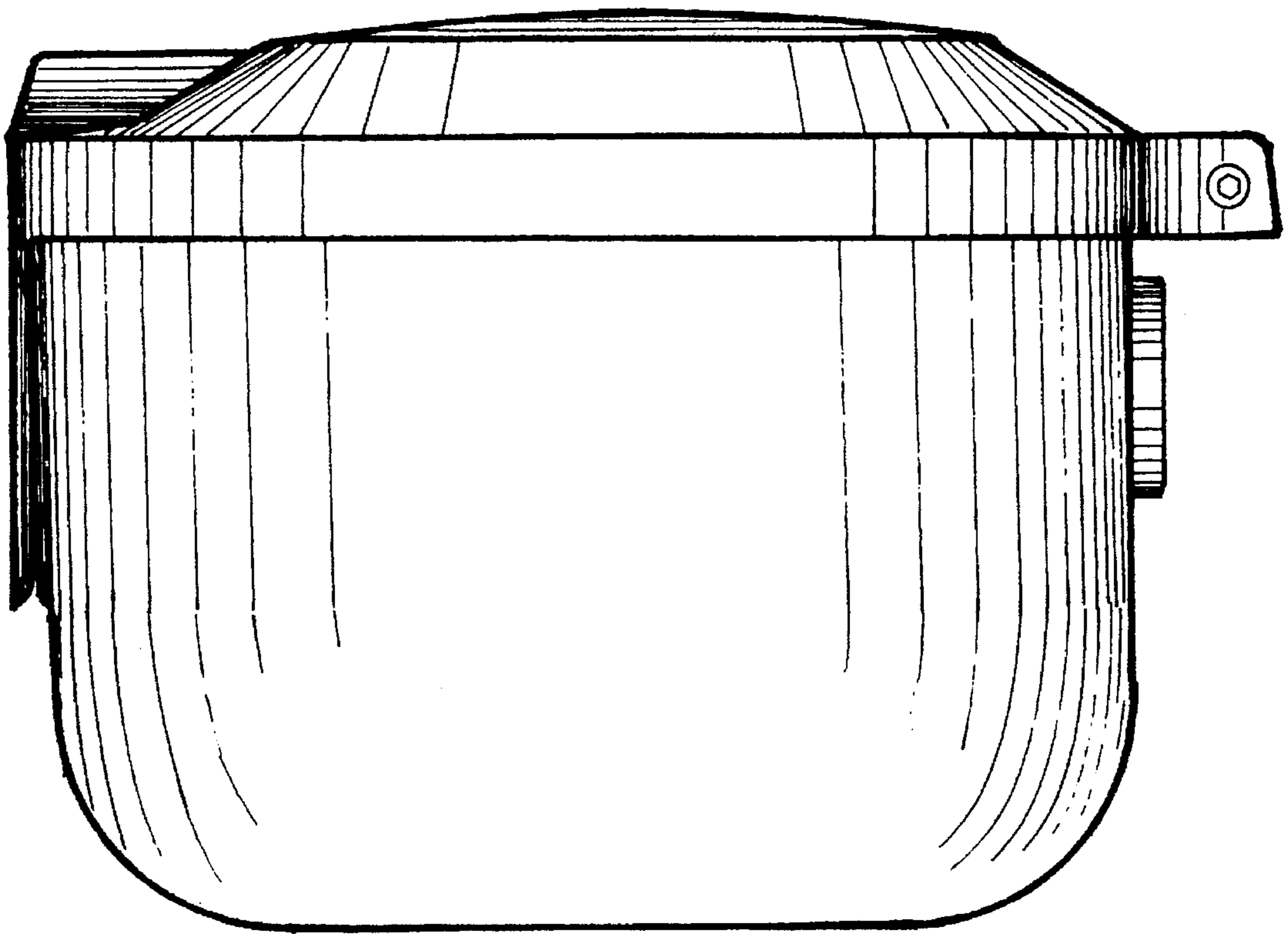


FIG. 3

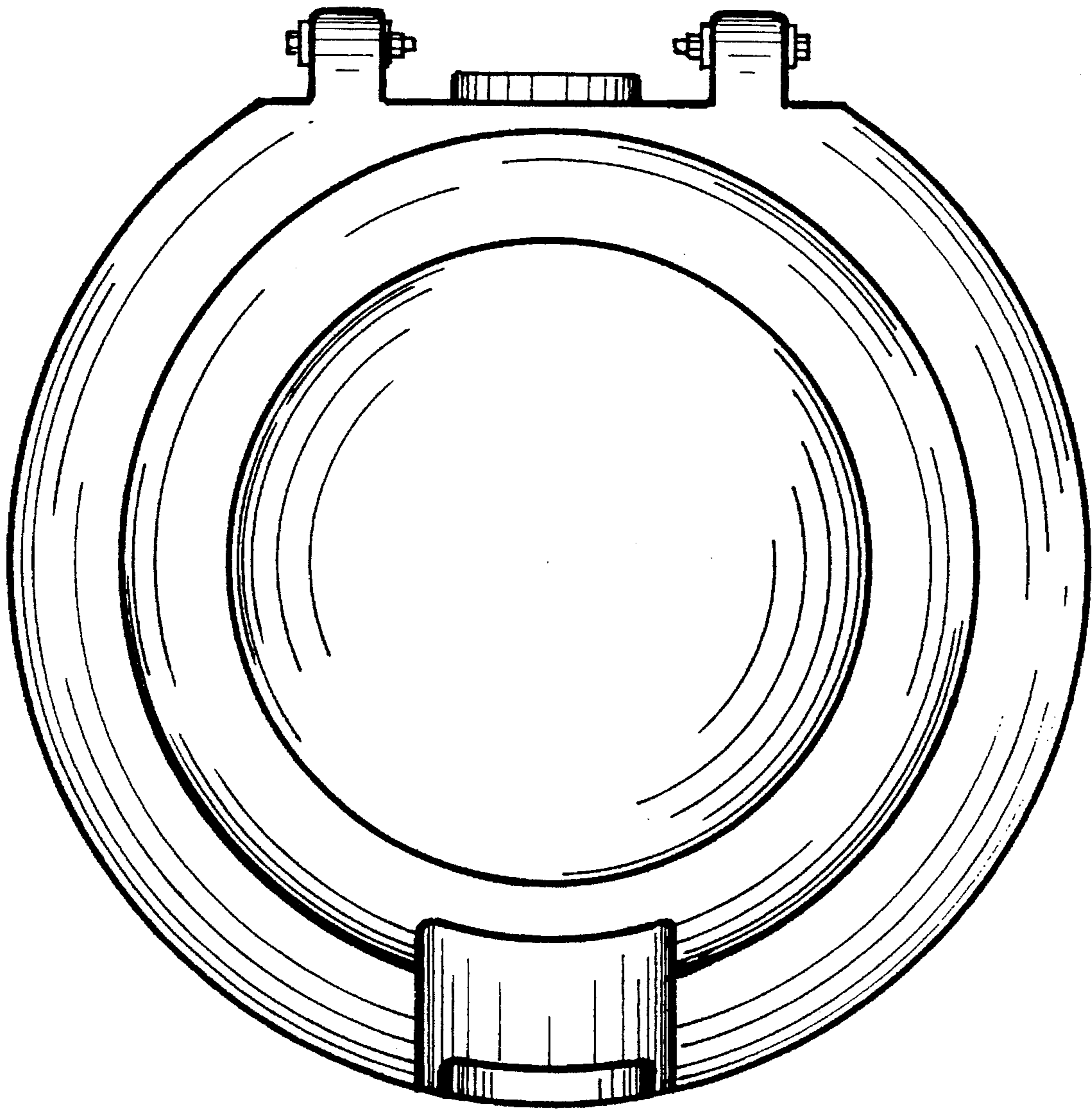


FIG. 4



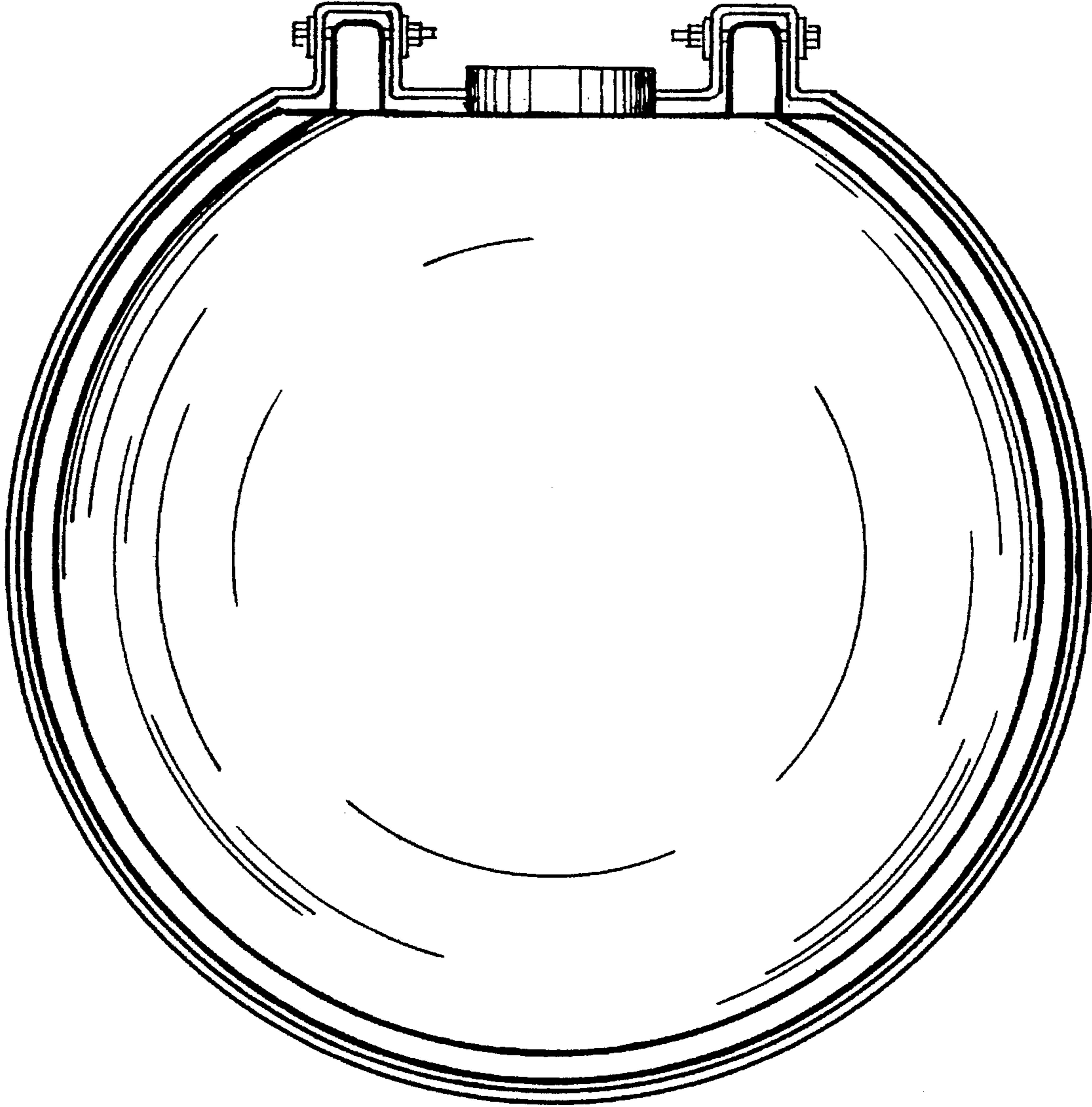


FIG. 5