



US00D374446S

United States Patent [19]
Bendell

[11] **Patent Number: Des. 374,446**
[45] **Date of Patent: **Oct. 8, 1996**

[54] **MANIFOLD**

D. 316,418 4/1991 Benson D15/5

[75] Inventor: **Richard Bendell**, Victoria, Australia

Primary Examiner—Ralf Seifert

Attorney, Agent, or Firm—Rothwell, Figg, Ernst & Kurz

[73] Assignee: **Motec Australia Pty Ltd**, Victoria, Australia

[57] **CLAIM**

[**] Term: **14 Years**

The ornamental design for a manifold, as shown and described.

[21] Appl. No.: **43,335**

DESCRIPTION

[22] Filed: **Sep. 1, 1995**

FIG. 1 is a front perspective view of the invention;

[52] U.S. Cl. **D15/5**

FIG. 2 is a rear perspective view from beneath and other side;

[58] Field of Search D15/1-5; 123/261, 123/65 PE, 65 EM, 65 VD

FIG. 3 is a plan view of the invention of FIG. 1;

FIG. 4 is a side view on arrow 4 of FIG. 2;

FIG. 5 is a bottom view of the invention of FIG. 1;

FIG. 6 is a rear view of the invention of FIG. 1;

FIG. 7 is a side view on arrow 7 of FIG. 1 ; and,

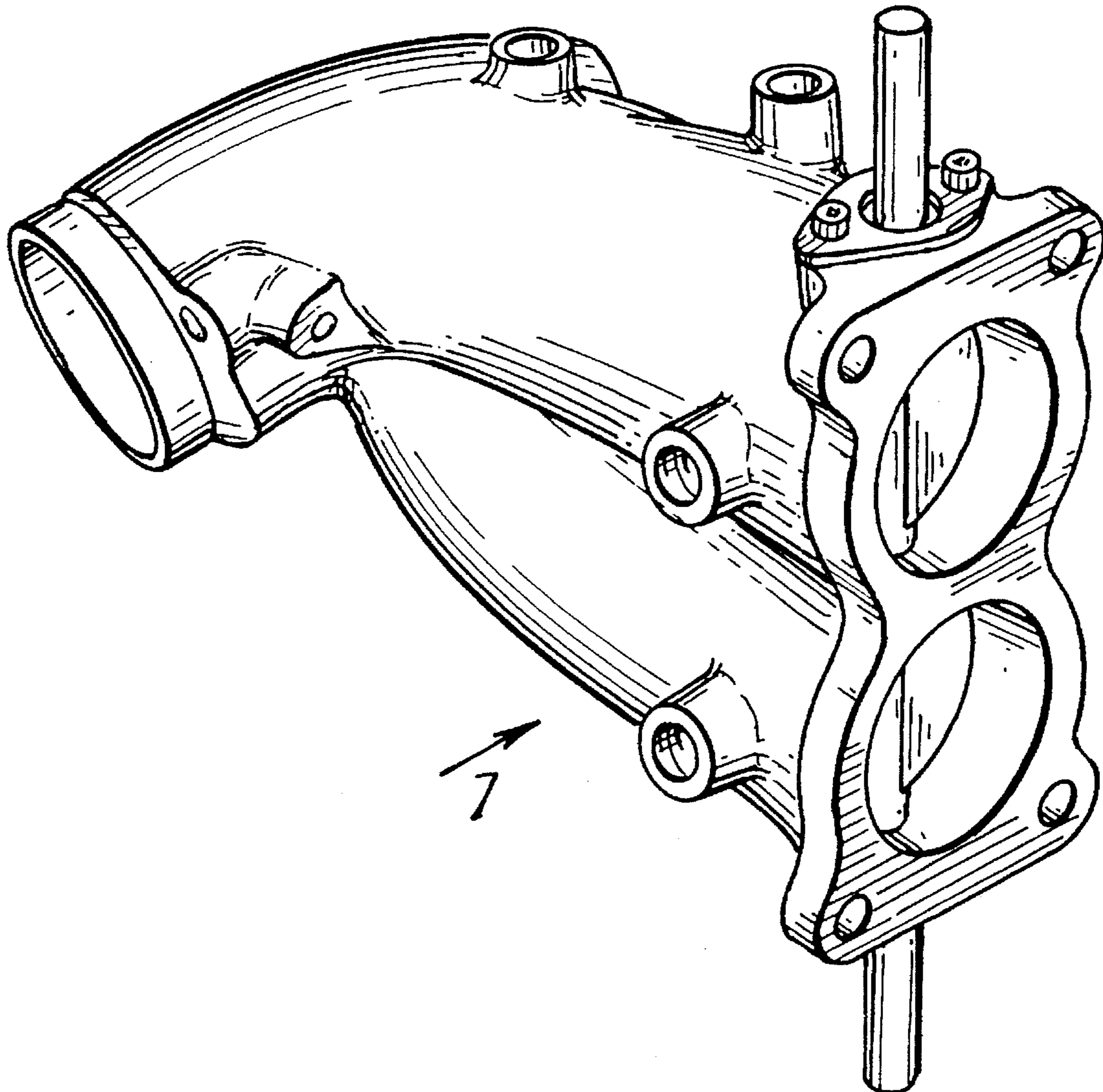
FIG. 8 is a front view of the invention of FIG. 1.

[56] **References Cited**

U.S. PATENT DOCUMENTS

- D. 222,598 11/1971 Weiland D15/5
- D. 265,736 8/1982 Pappas D15/5
- D. 266,167 9/1982 Lindbrandt D15/5

1 Claim, 3 Drawing Sheets



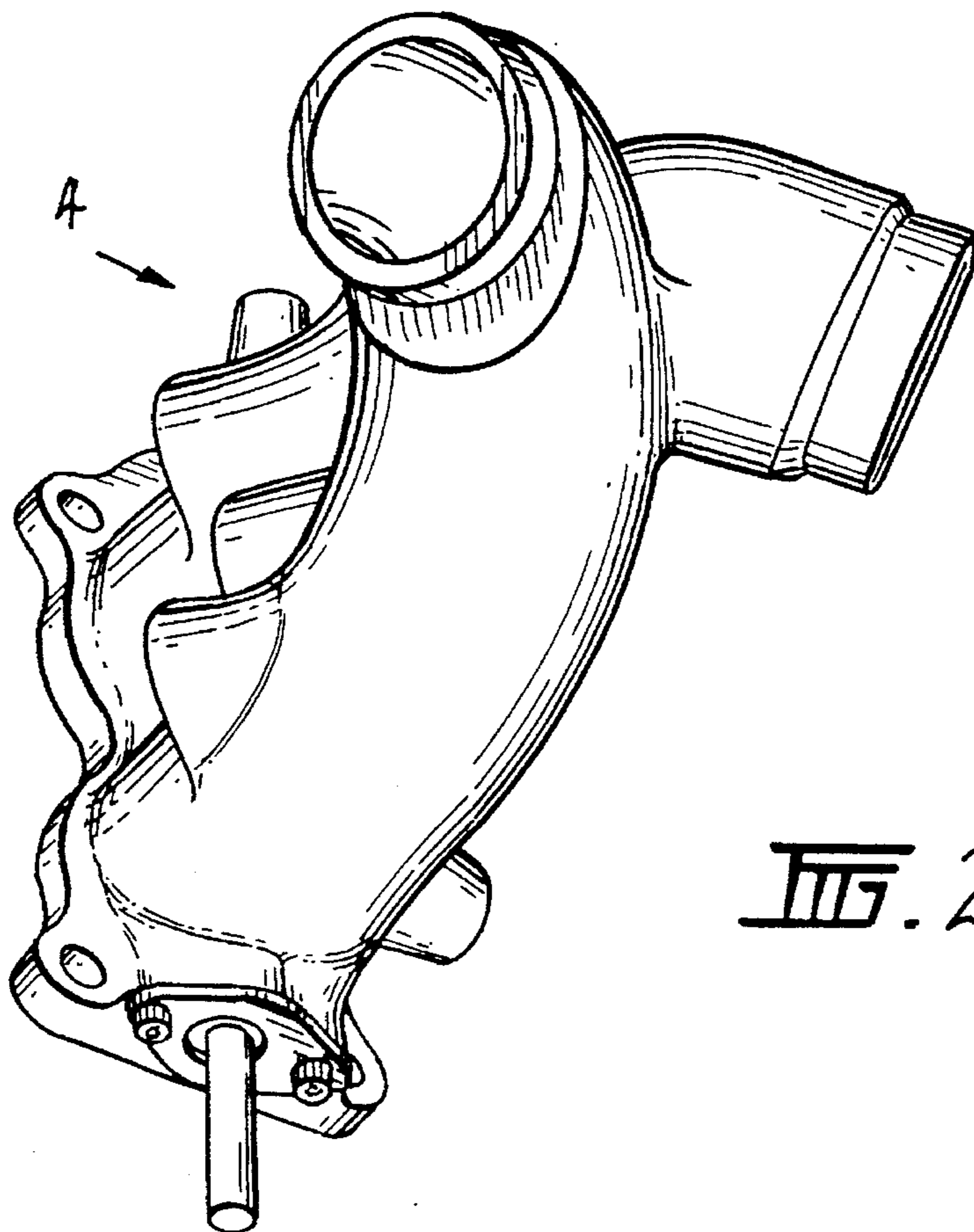
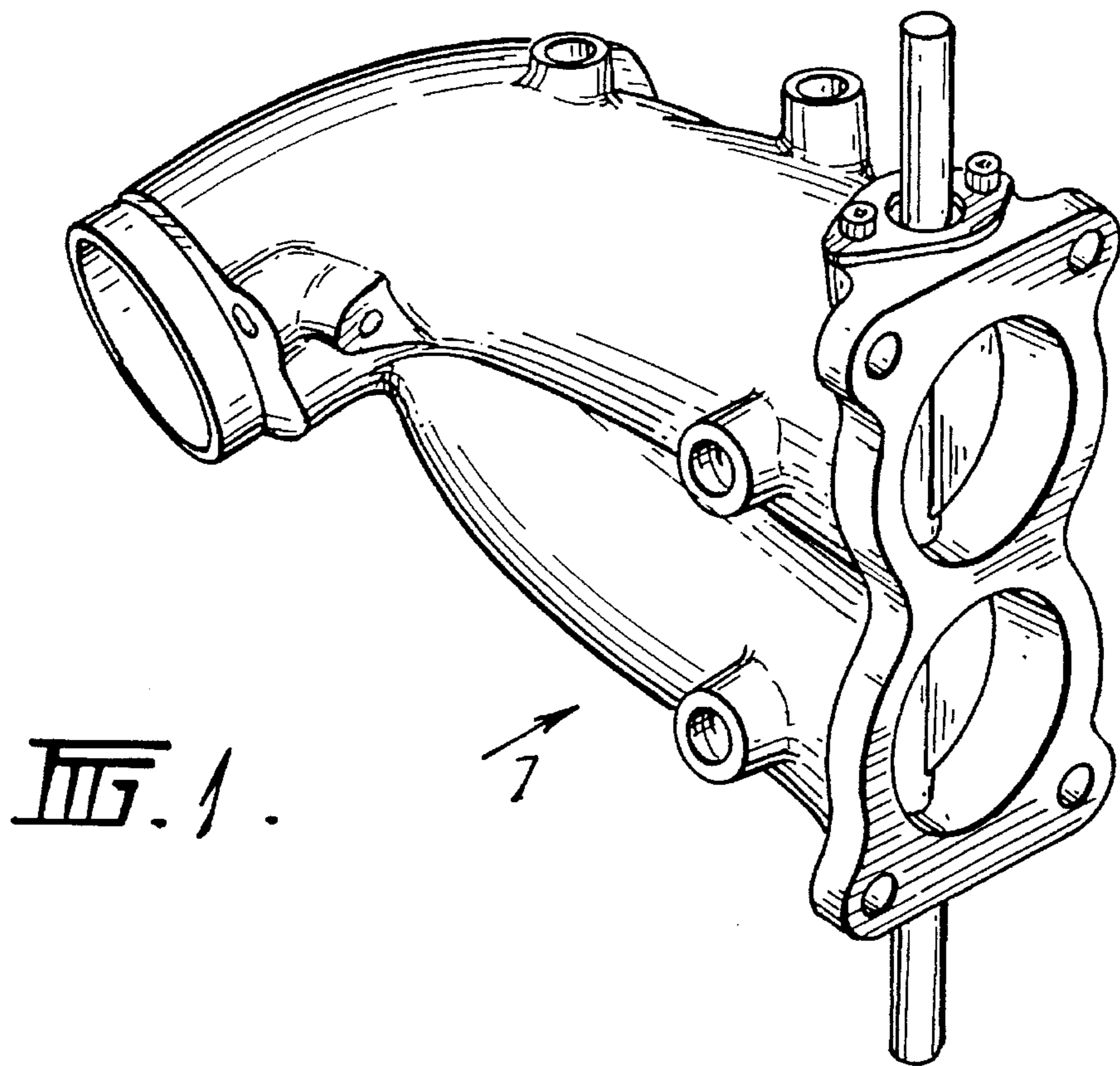


FIG. 2.

FIG. 3.

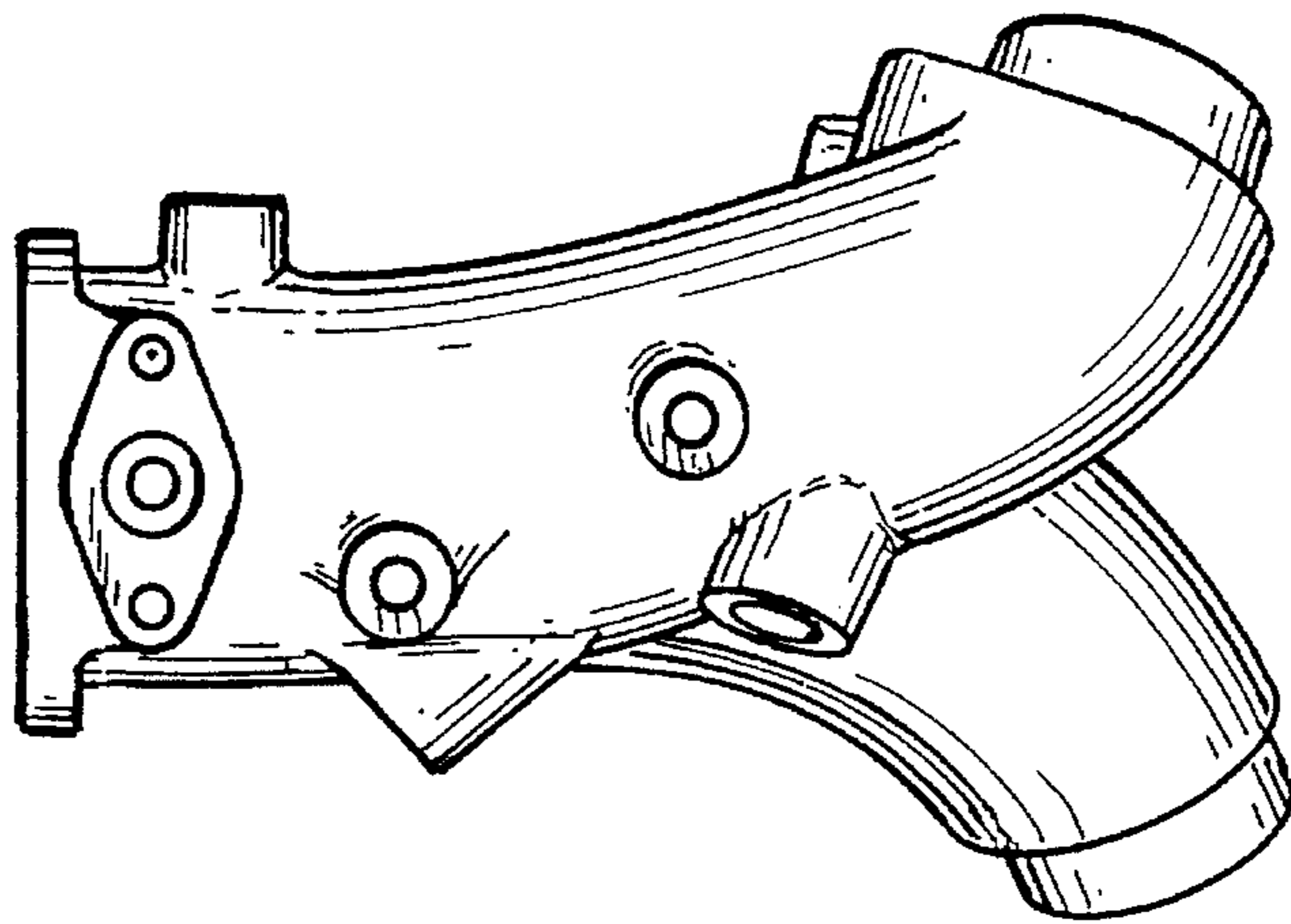


FIG. 4.

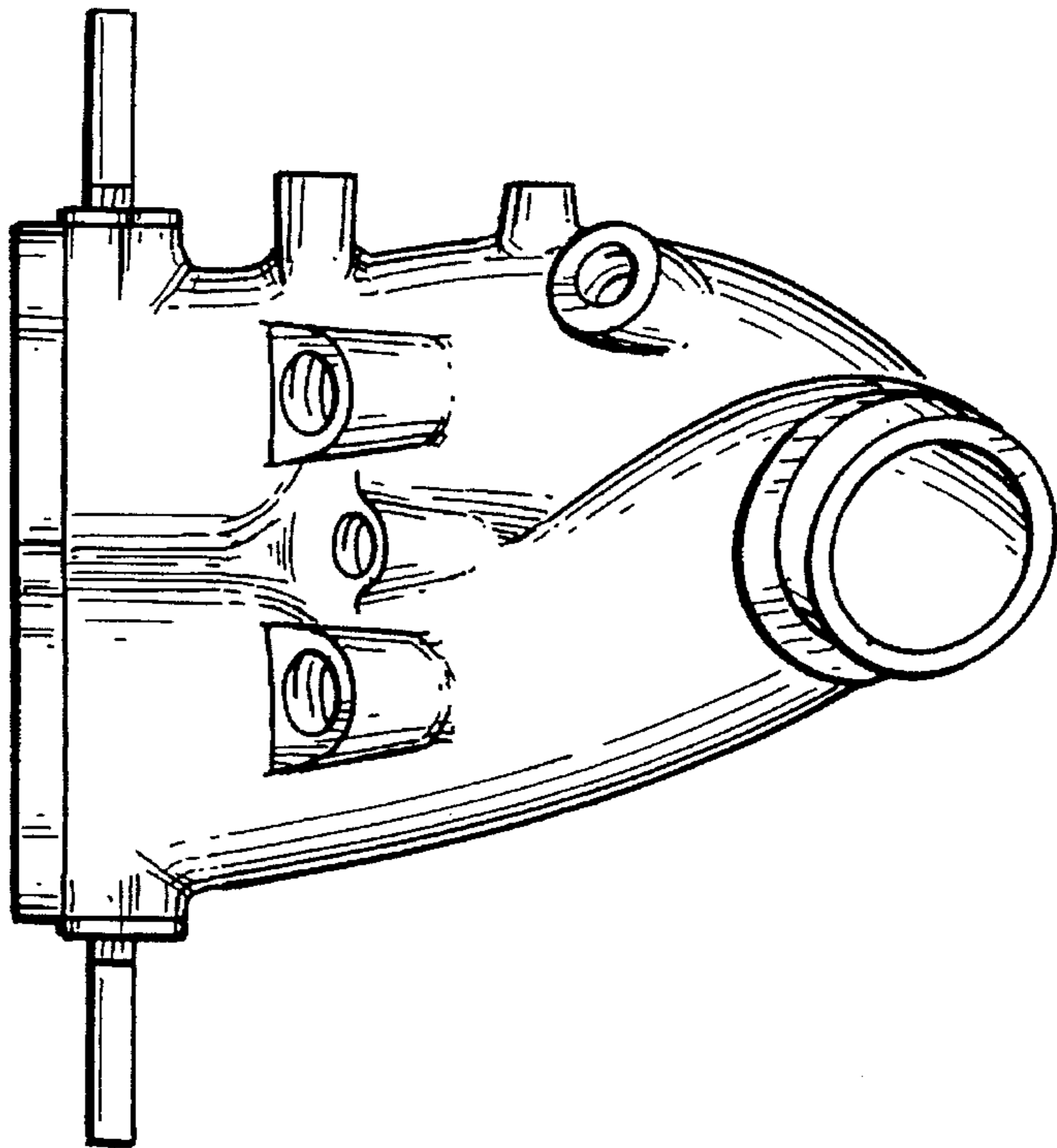
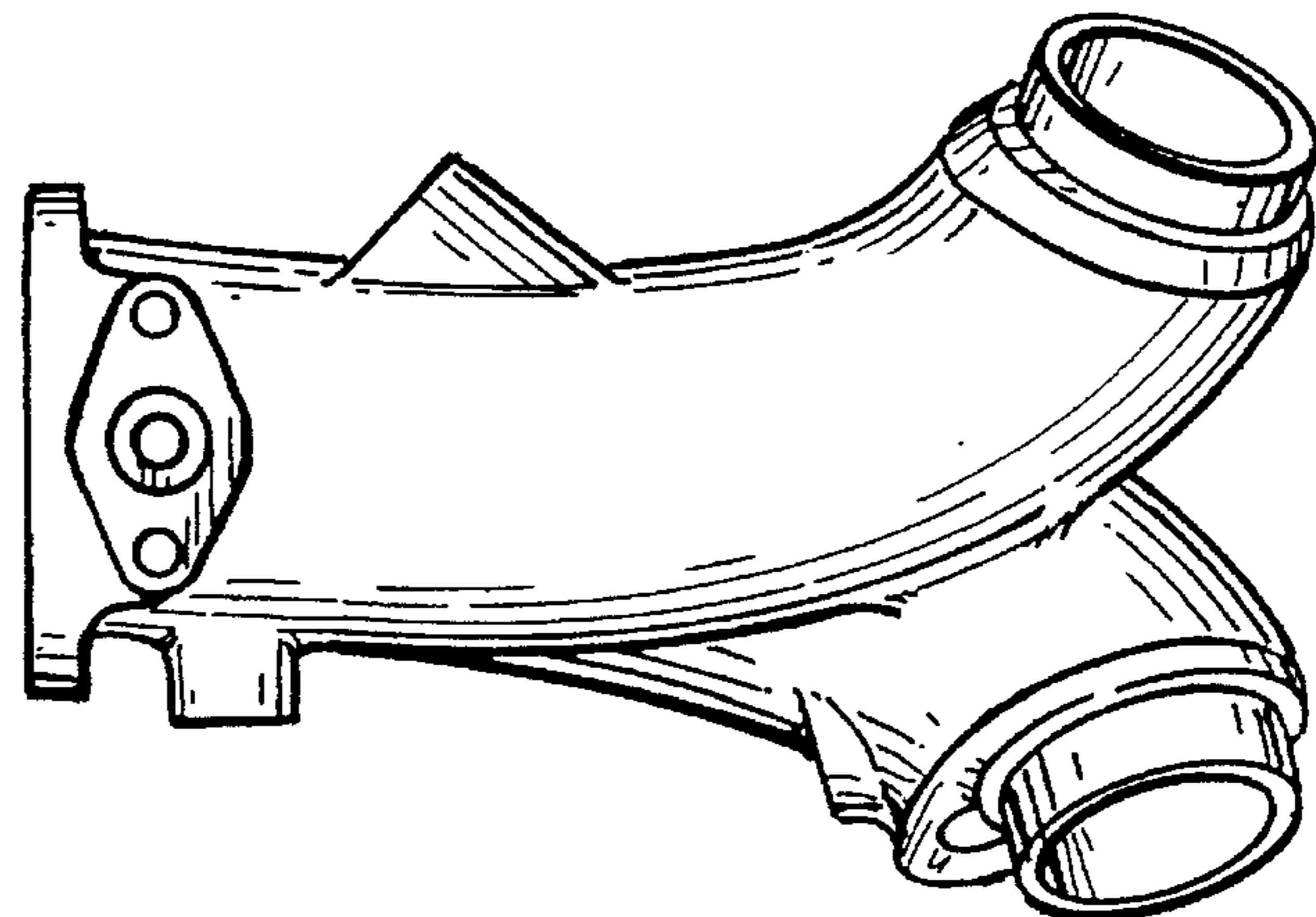


FIG. 5.



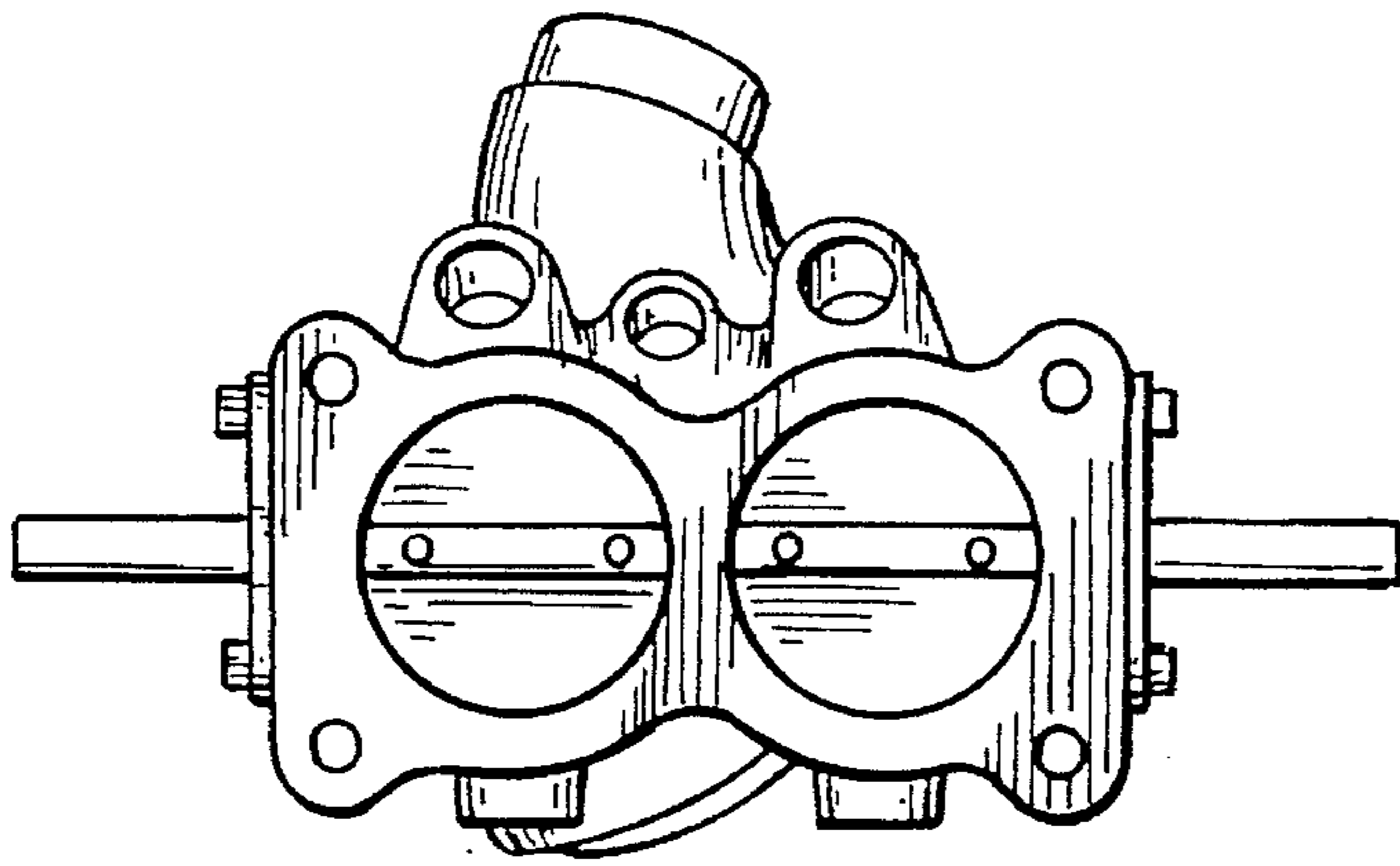


FIG. 8.

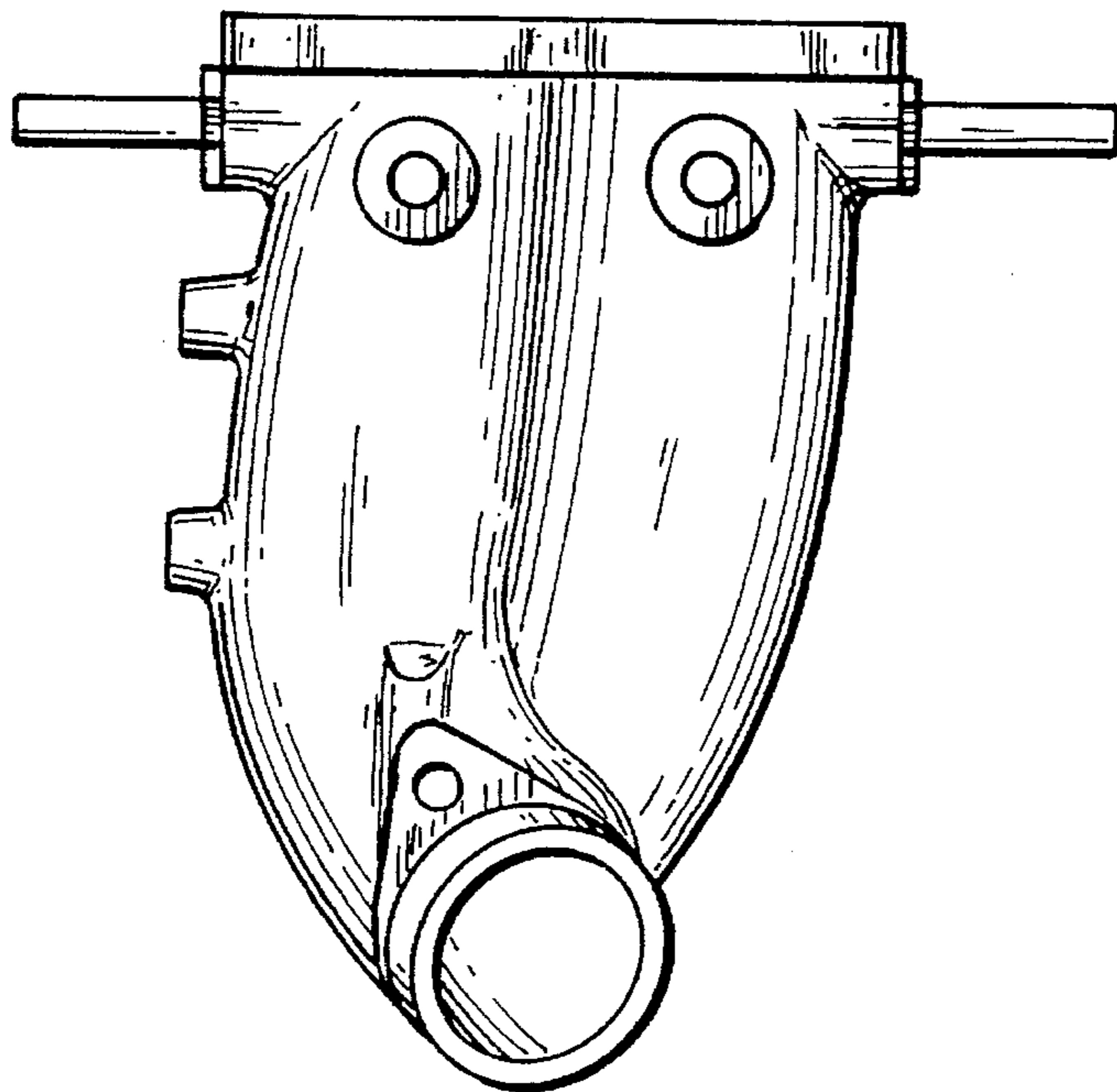


FIG. 7.

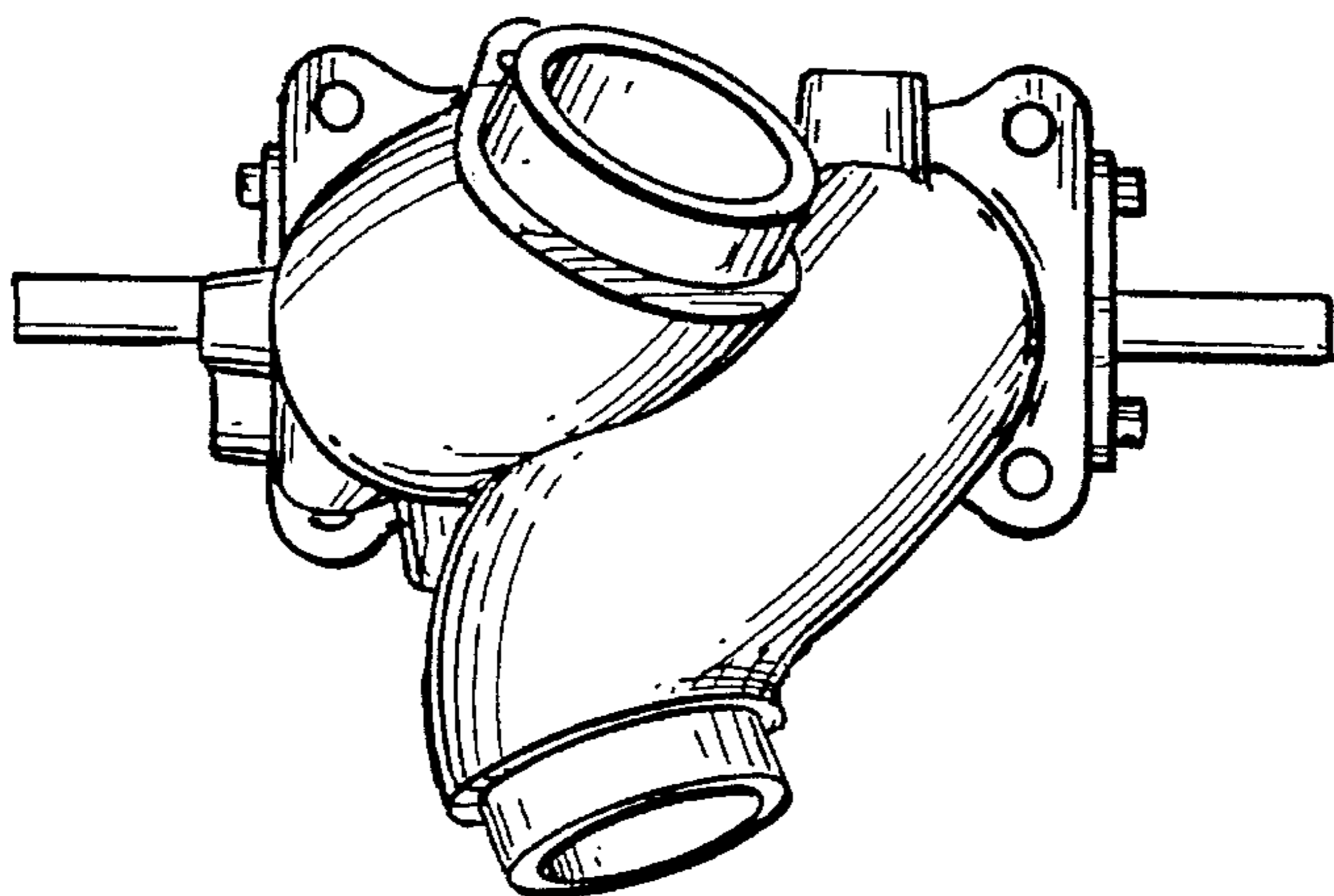


FIG. 6.