



US00D374436S

United States Patent [19]

Yamamoto et al.

[11] Patent Number: **Des. 374,436**

[45] Date of Patent: ****Oct. 8, 1996**

[54] OPTICAL DISK CARTRIDGE

D. 346,375 4/1994 Miyazaki et al. D14/114
D. 351,593 10/1994 Miyazaki D14/114

[75] Inventors: **Tokuzo Yamamoto**, Sagamihara;
Nobuhiro Yamane, Yokohama, both of
Japan

OTHER PUBLICATIONS

U.S. Patent Publication No. 312,077, Nov. 13, 1990. Official
Gazette, p. 1178.

[73] Assignee: **Kabushiki Kaisha Toshiba**, Kawasaki,
Japan

U. S. Design Patent Publication, No. 312, 250, Nov. 20,
1990. Official Gazette, p. 1819.

[**] Term: **14 Years**

Catalog of an erasable optical media, Sep. 25, 1990. Digital
Optical Technologies Catalog.

[21] Appl. No.: **23,643**

Primary Examiner—Melanie H. Tung

[22] Filed: **May 27, 1994**

Attorney, Agent, or Firm—Oblon, Spivak, McClelland,
Maier & Neustadt, P.C.

[30] Foreign Application Priority Data

Nov. 30, 1993 [JP] Japan 5-36142
Nov. 30, 1993 [JP] Japan 5-36143
Nov. 30, 1993 [JP] Japan 5-36145

[57] CLAIM

The ornamental design for an optical disk cartridge, as
shown and described.

[52] U.S. Cl. **D14/114**

DESCRIPTION

[58] Field of Search D14/100, 107,
D14/114; 360/60, 130, 132-3, 135, 97.01-99.12;
206/312, 444, 309-10, 45.23, 472; 369/291,
273, 77.2

FIG. 1 is a front, bottom and right side perspective view of
an optical disk cartridge, showing our new design;

FIG. 2 is a front elevational view thereof;

FIG. 3 is a top plan view thereof;

FIG. 4 is a right side elevational view thereof; a left side
elevational view is a mirror image of the right side eleva-
tional view;

FIG. 5 is a rear elevational view thereof; and,

FIG. 6 is a bottom plan view thereof.

[56] References Cited

U.S. PATENT DOCUMENTS

D. 311,526 10/1990 Hamada et al. D14/114
D. 312,077 11/1990 Sasaki et al. D14/114
D. 312,250 11/1990 Sasaki et al. D14/114
D. 325,468 4/1992 Ohba D14/114 X
D. 346,374 4/1994 Miyazaki et al. D14/114

1 Claim, 2 Drawing Sheets

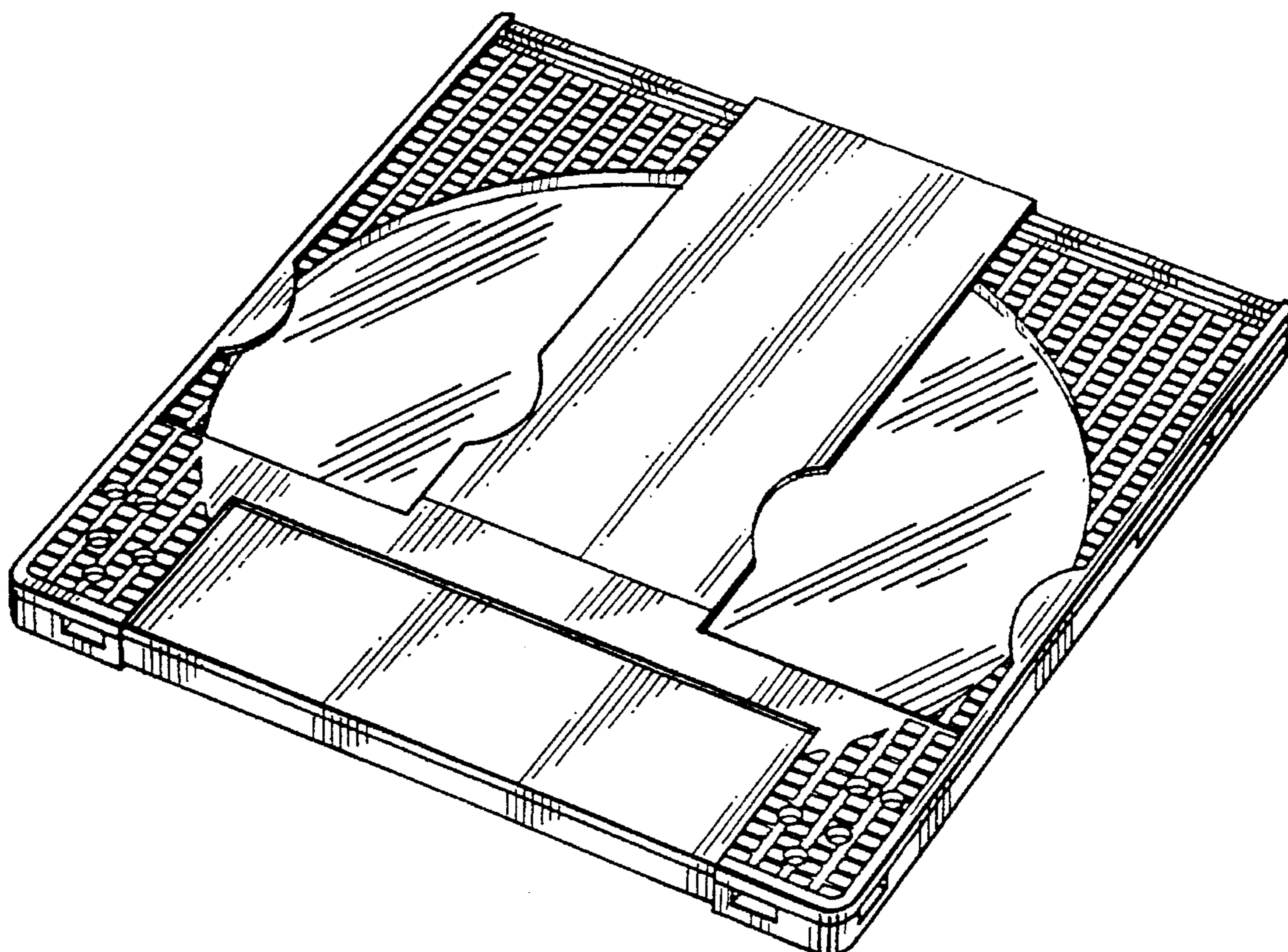


FIG. 1

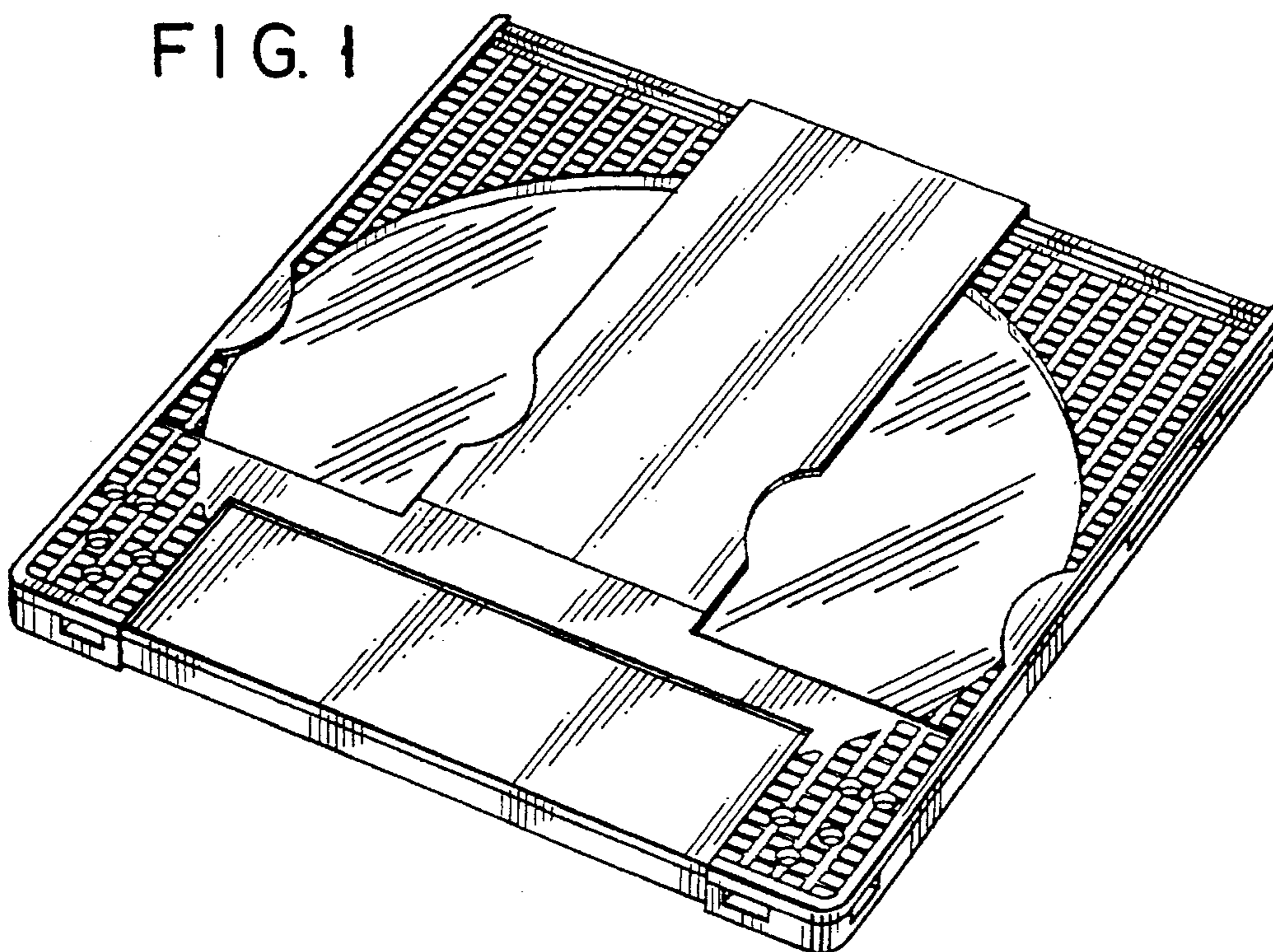


FIG. 3



FIG. 2

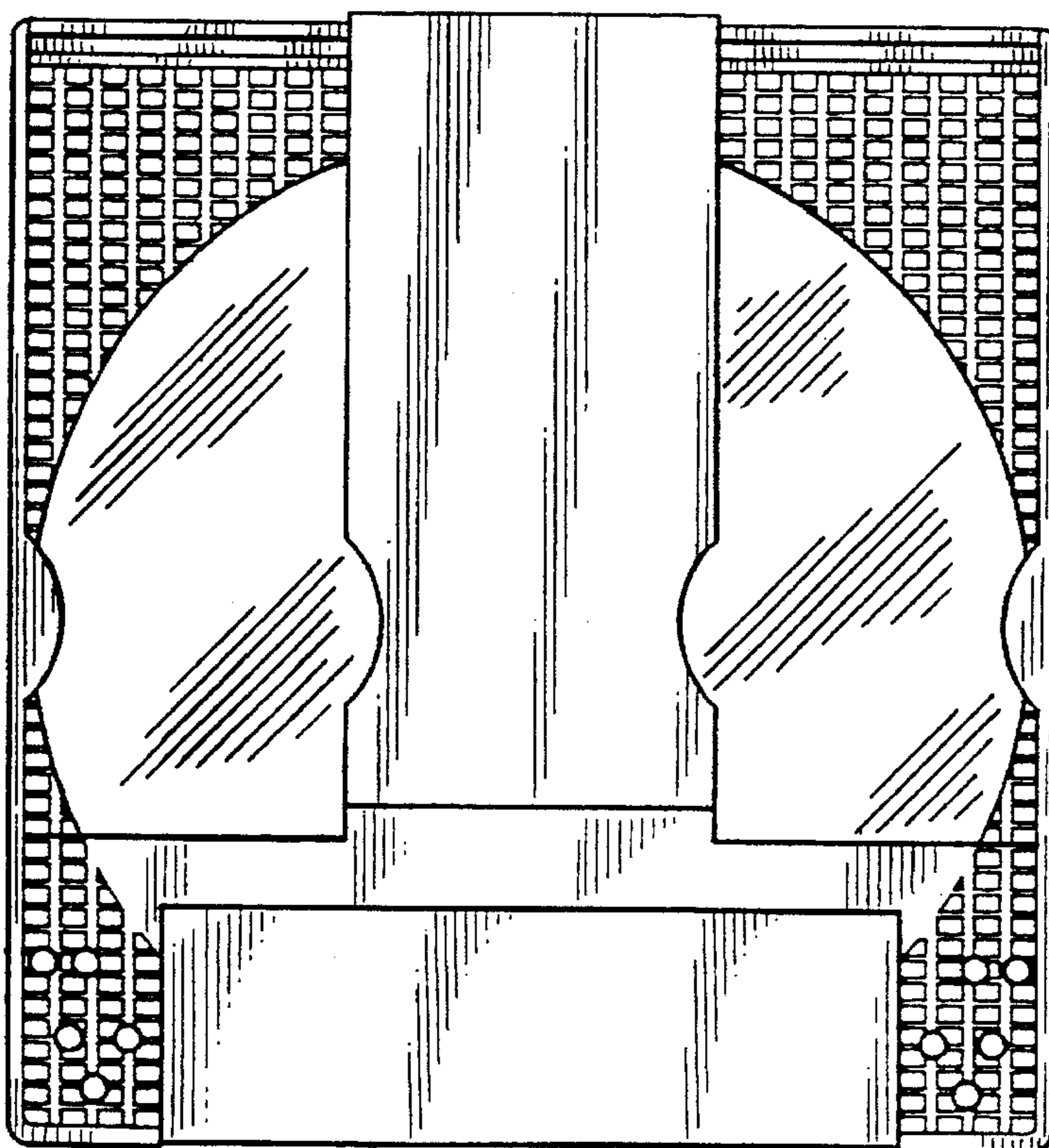


FIG. 4



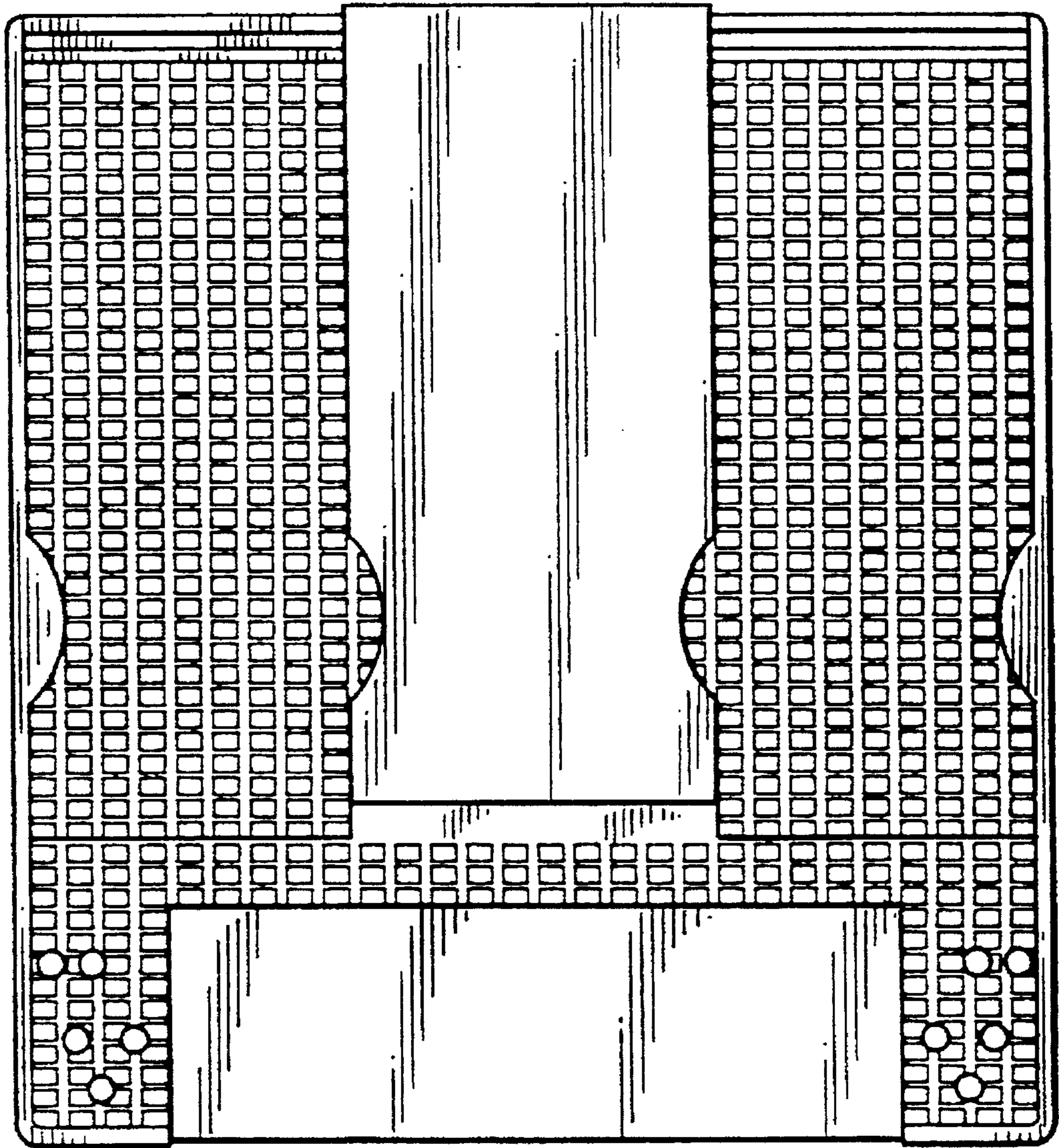


FIG. 5



FIG. 6