



US00D374435S

United States Patent [19]
Oates

[11] **Patent Number:** **Des. 374,435**
[45] **Date of Patent:** ****Oct. 8, 1996**

[54] **VISUAL DISPLAY UNIT**

D. 360,624 7/1995 Masunari D14/113

[75] **Inventor:** **Marcus Oates**, Rowledge, United Kingdom

Primary Examiner—Freda Nunn
Attorney, Agent, or Firm—Martin J. McKinley; Andrew J. Dillon

[73] **Assignee:** **International Business Machines Corporation**, Armonk, N.Y.

[57] **CLAIM**

[**] **Term:** **14 Years**

The ornamental design for a visual display unit, as shown and described.

[21] **Appl. No.:** **37,134**

[22] **Filed:** **Apr. 4, 1995**

DESCRIPTION

[30] **Foreign Application Priority Data**

FIG. 1 illustrates a front elevation view of the visual display unit of the present invention, depicting my new design;
FIG. 2 depicts a rear elevation view thereof;
FIG. 3 illustrates a top plan view thereof;
FIG. 4 depicts a bottom plan view thereof;
FIG. 5 illustrates a right side elevation view thereof;
FIG. 6 depicts a left side elevation view thereof; and,
FIG. 7 illustrates a perspective view thereof.

Oct. 11, 1994 [GB] United Kingdom 2042505

[52] **U.S. Cl.** **D14/113**

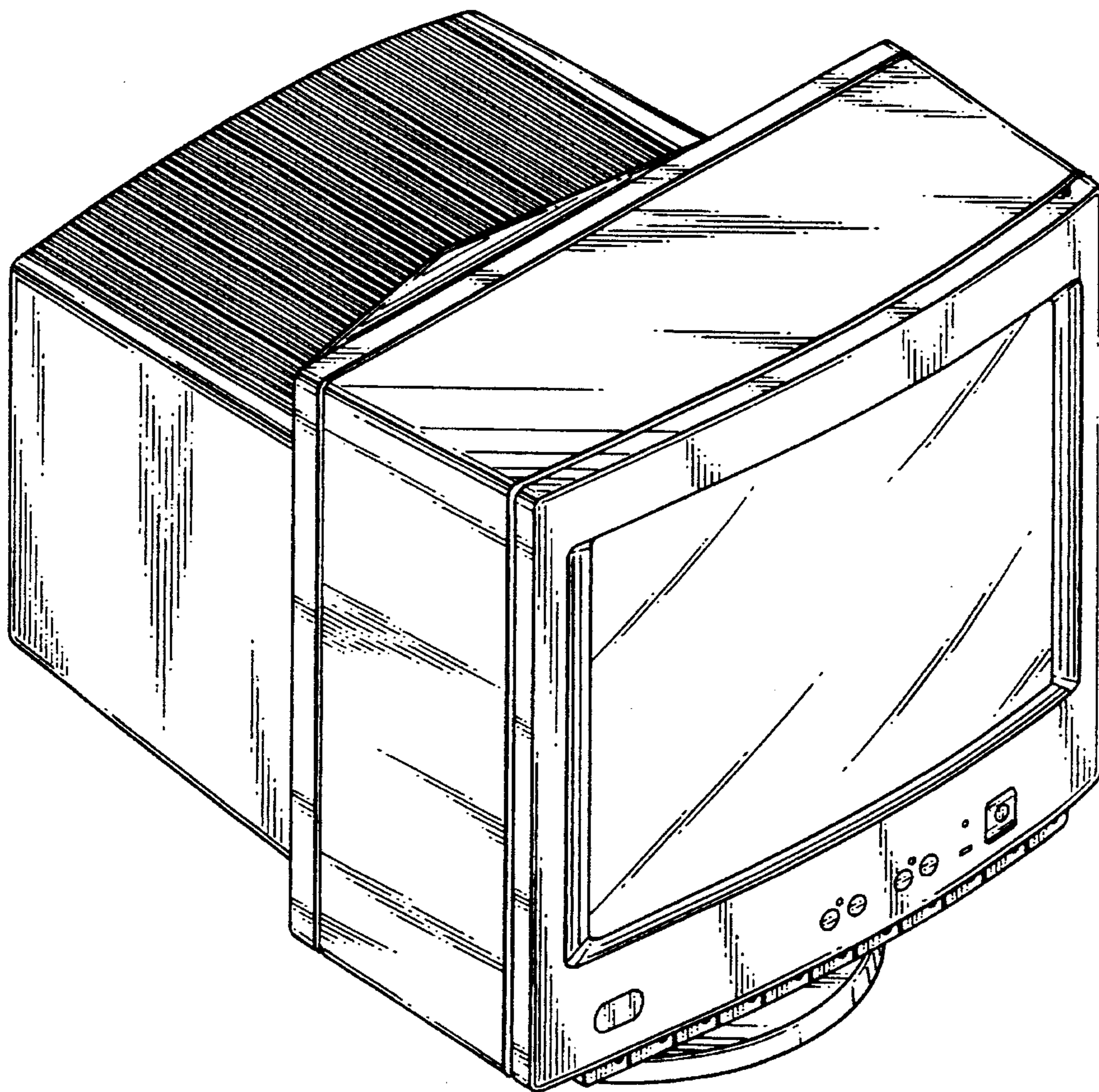
[58] **Field of Search** D14/100, 106,
D14/101, 113, 124-129; 345/104, 133,
156, 168, 173, 87, 901-905; 358/249, 254,
255; 248/917-924

[56] **References Cited**

U.S. PATENT DOCUMENTS

D. 345,349 3/1994 Imai et al. D14/113

1 Claim, 7 Drawing Sheets



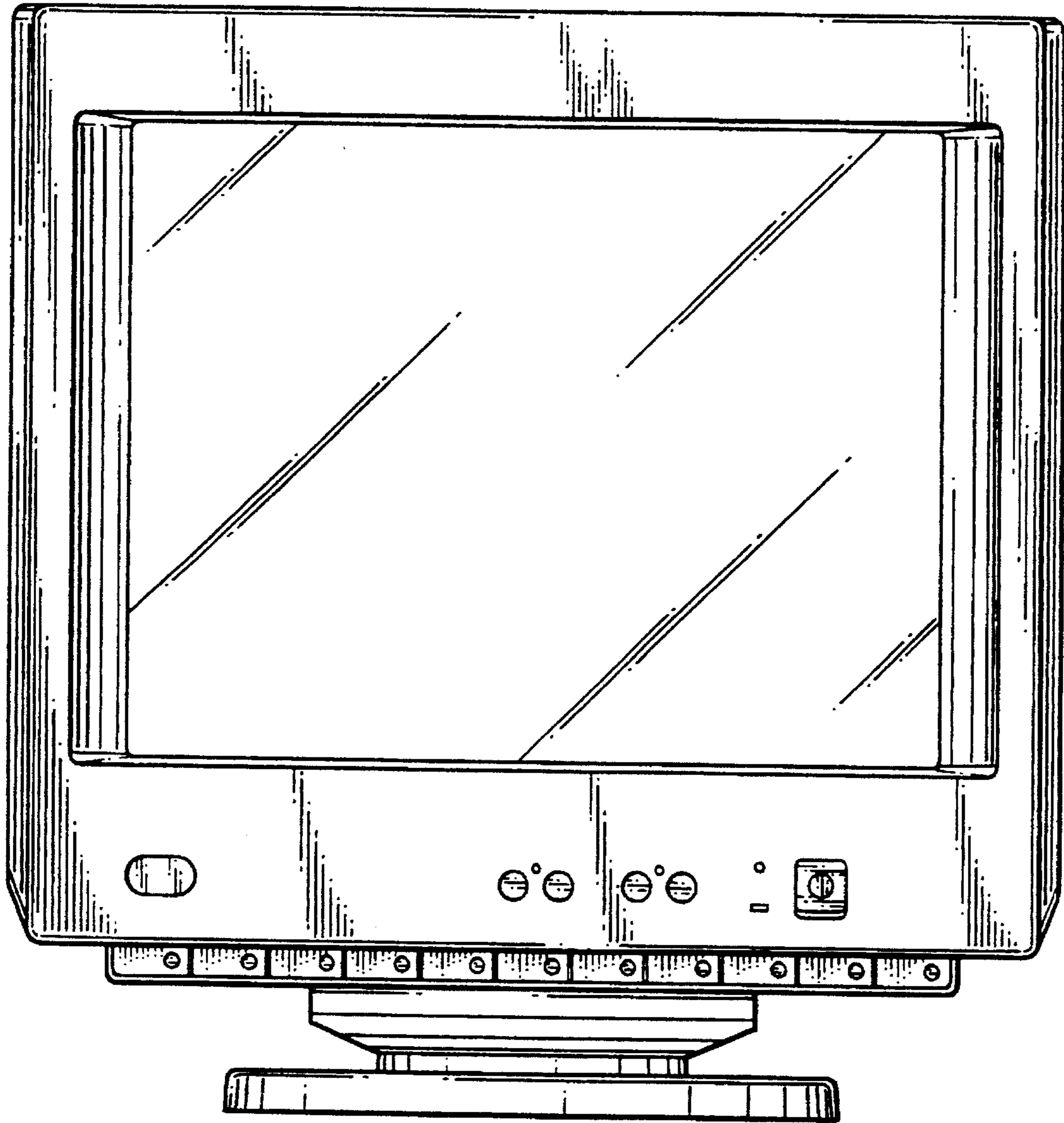


FIG. 1

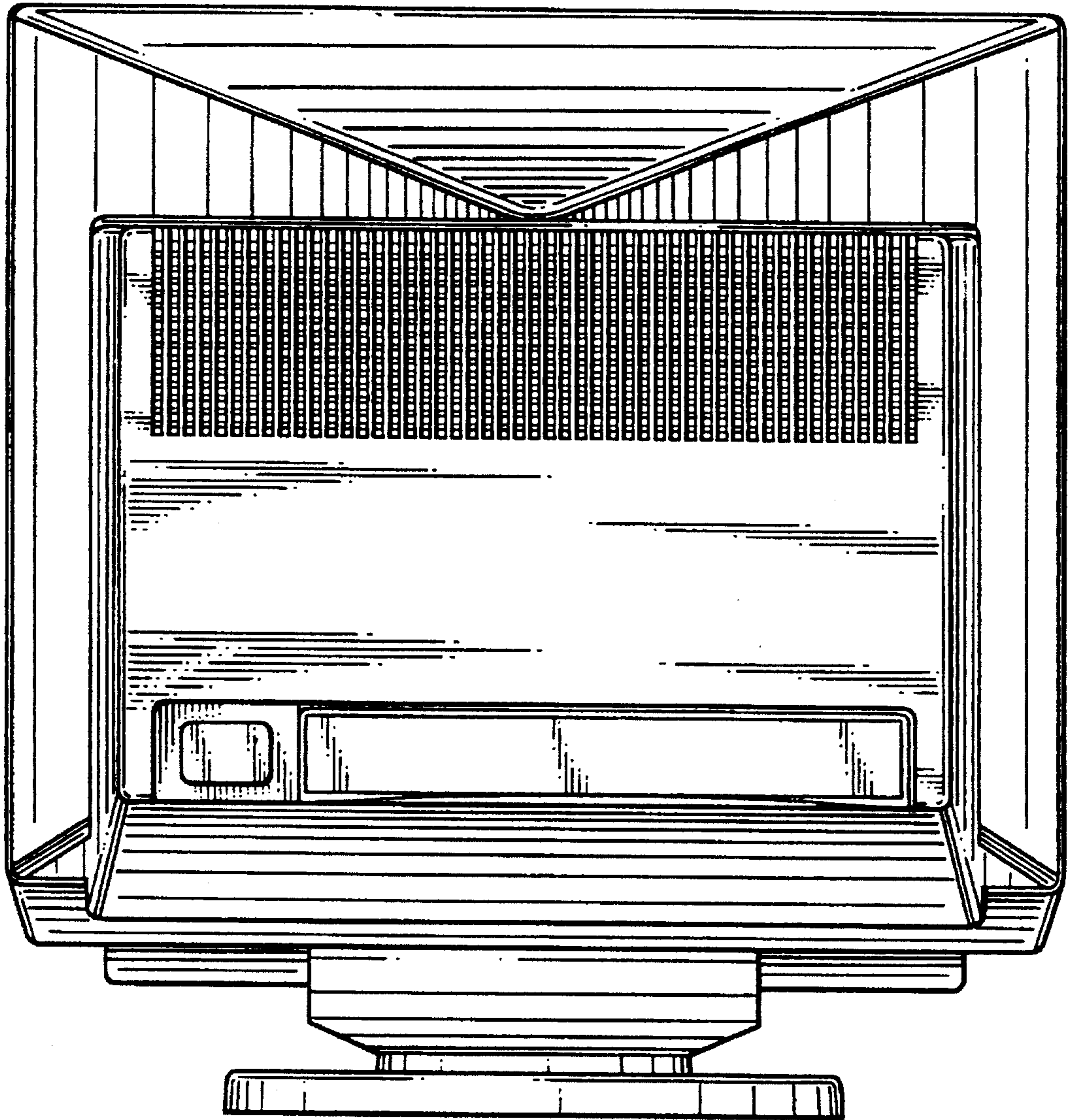


FIG. 2

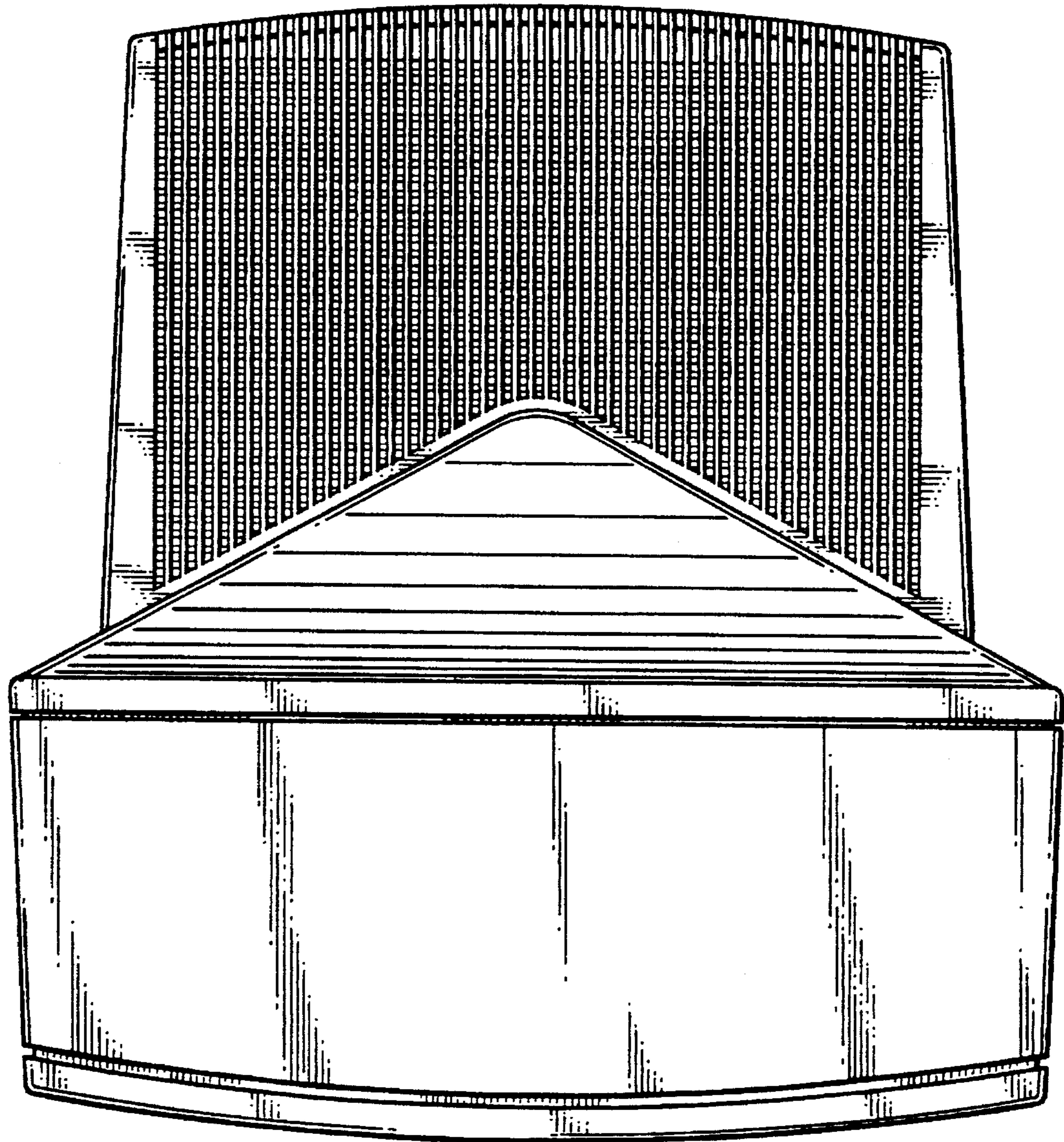


FIG. 3

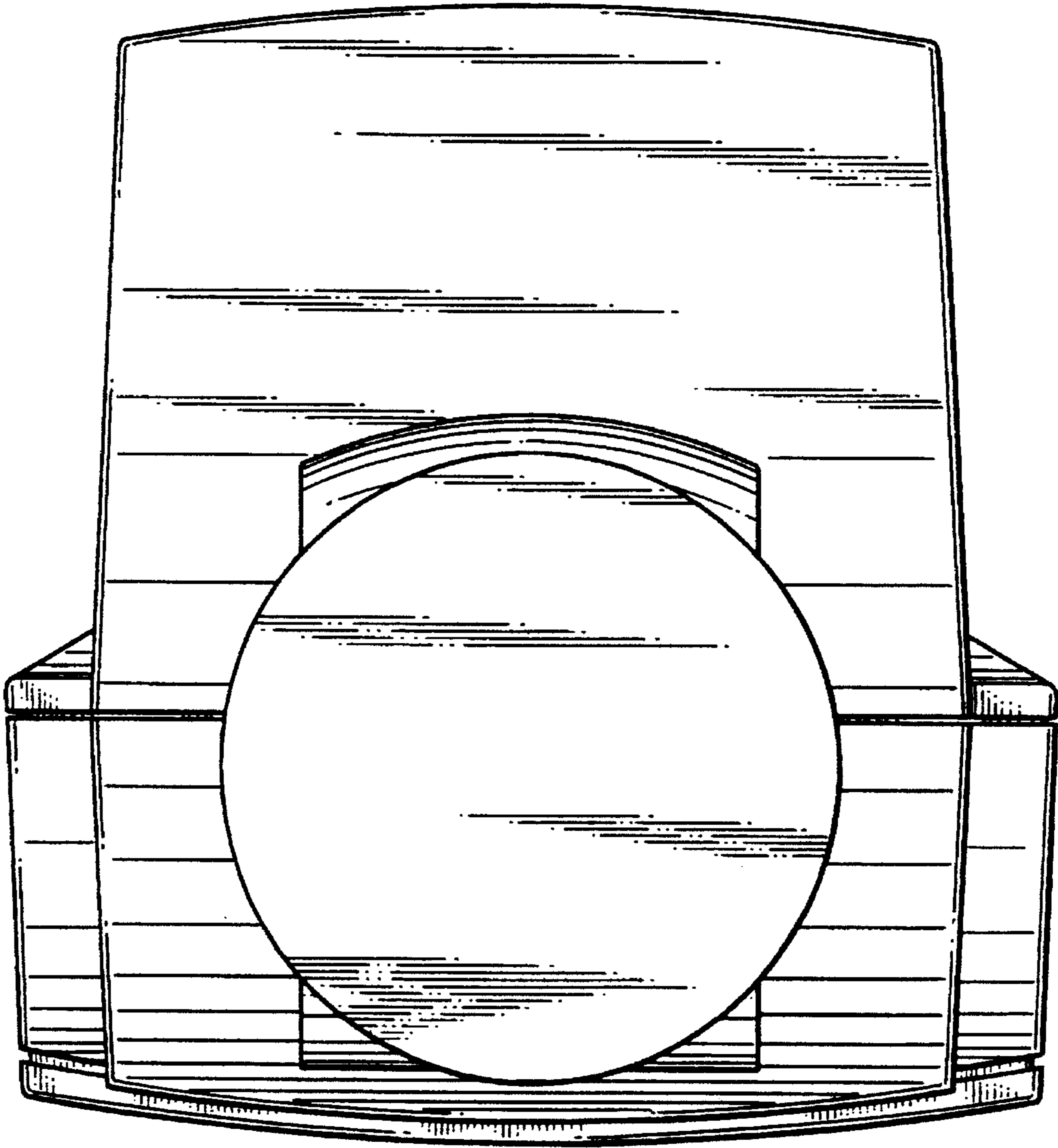


FIG. 4

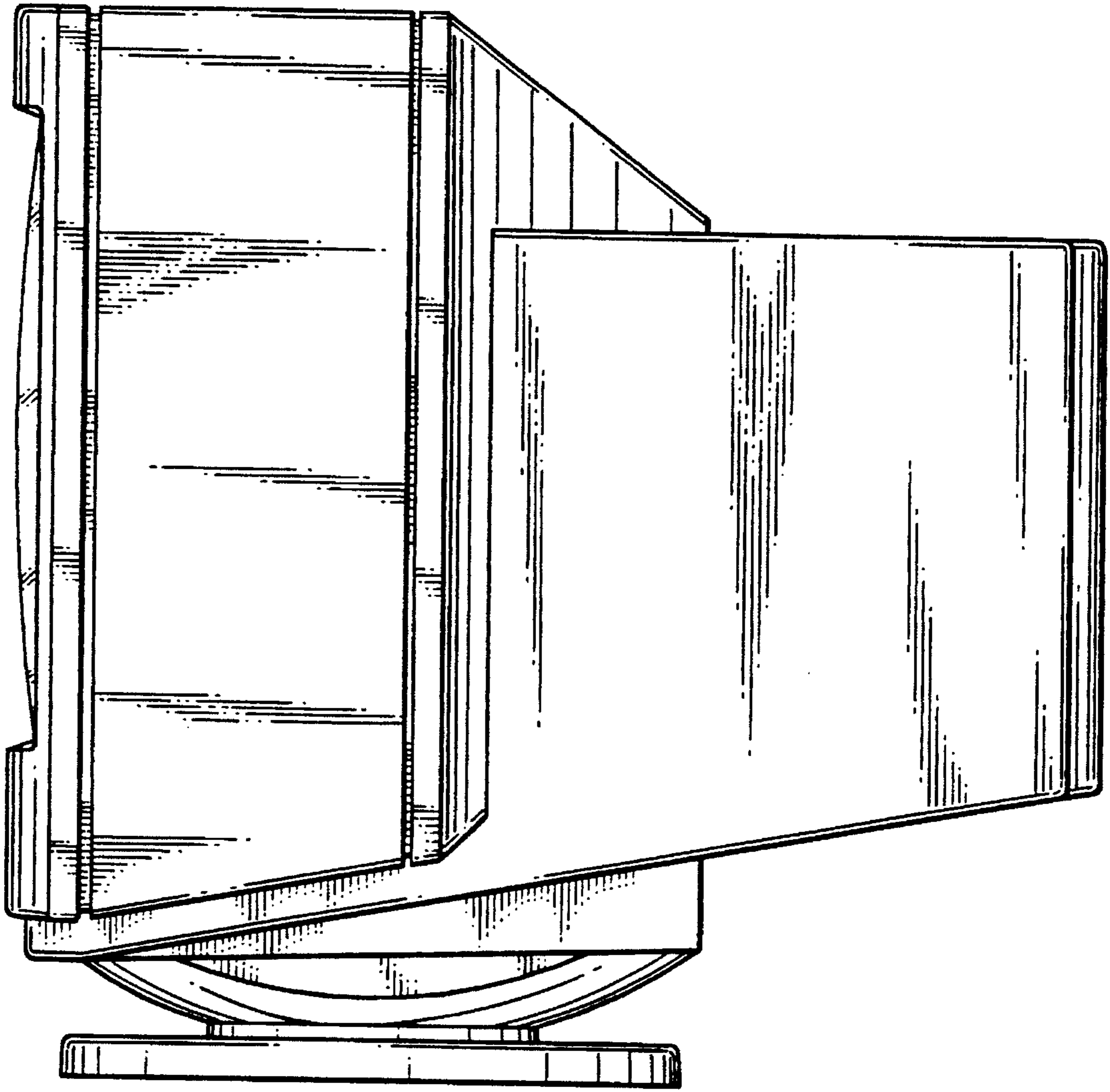


FIG. 5

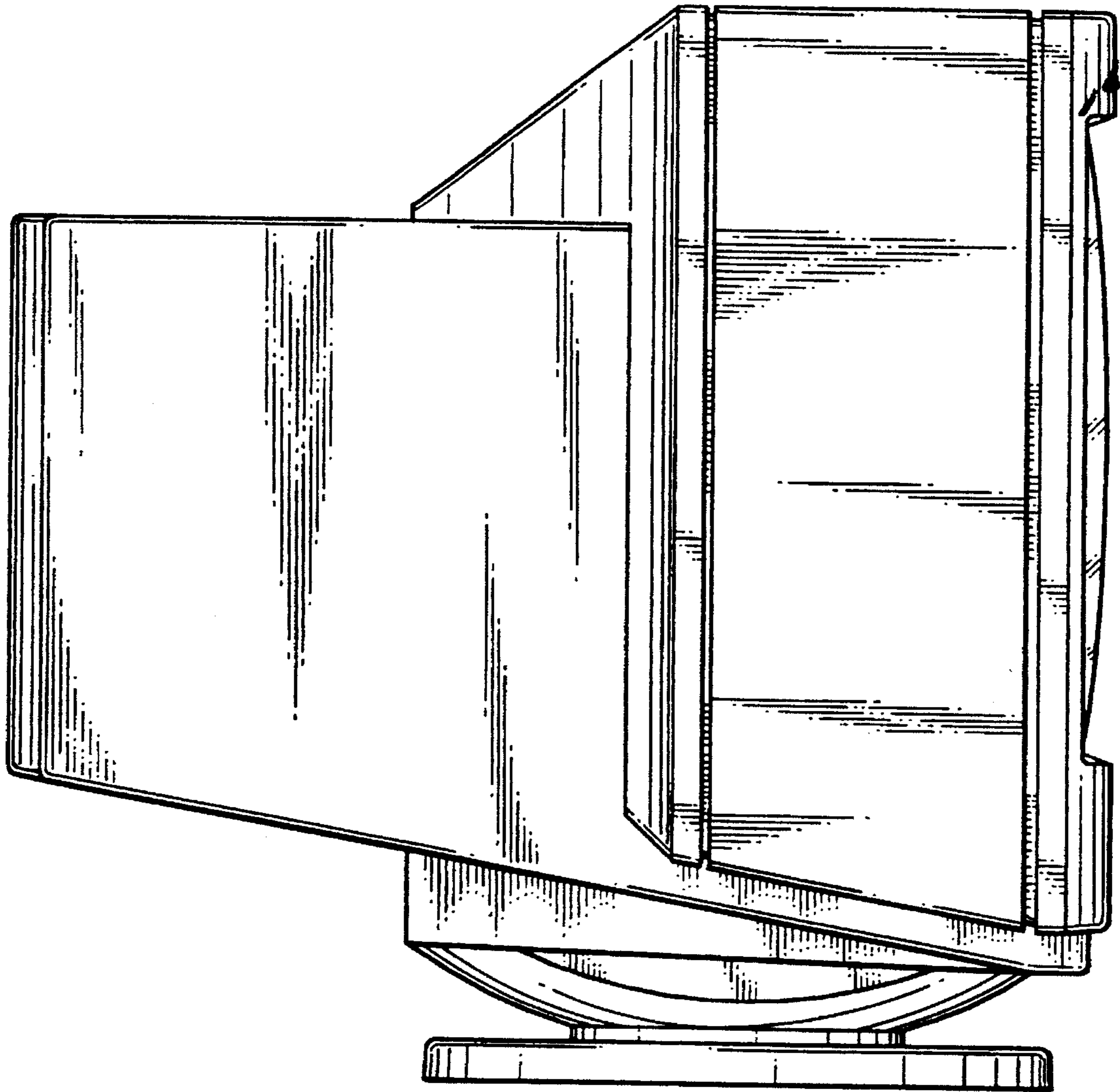


FIG. 6

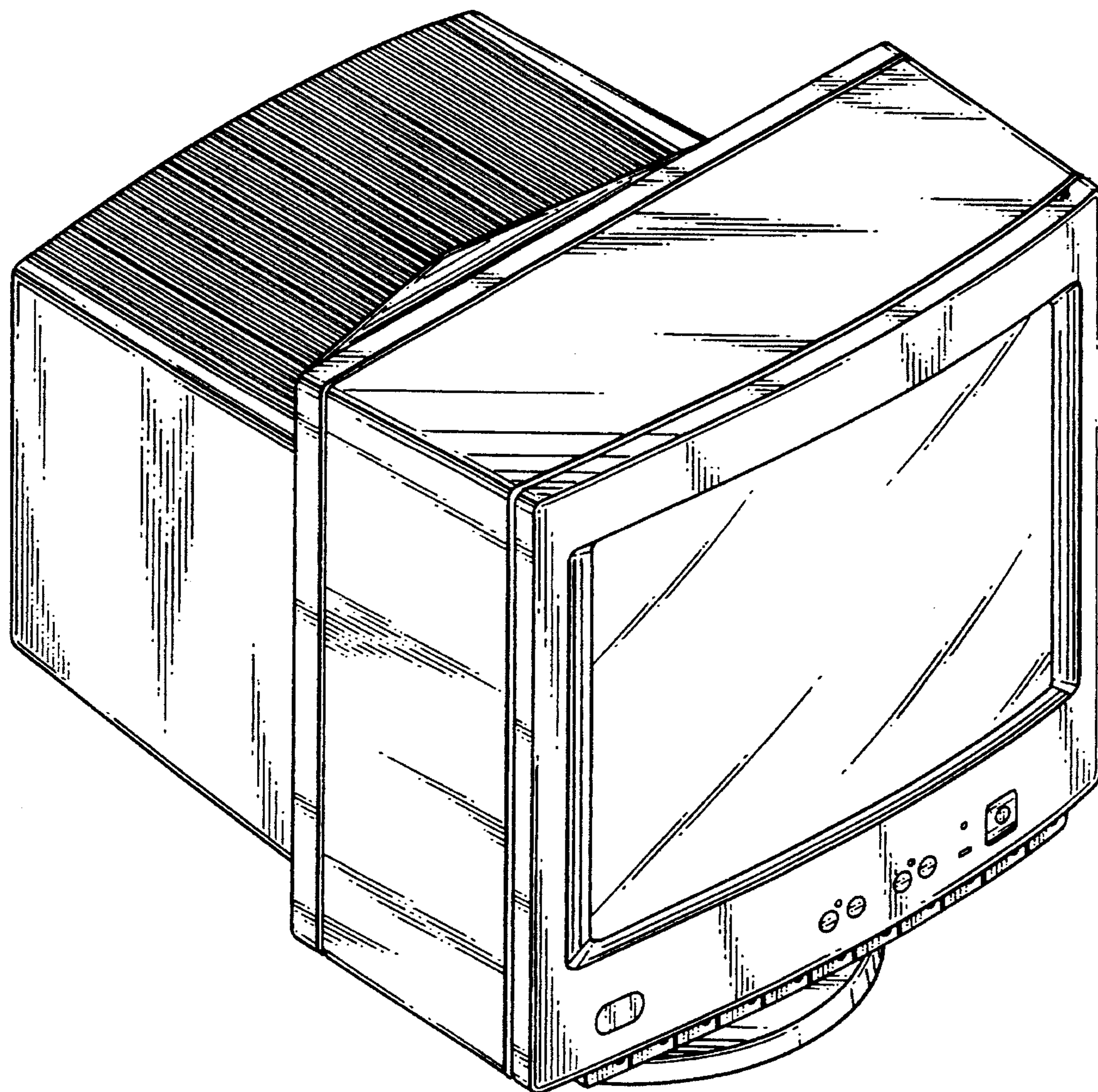


FIG. 7