



US00D374434S

United States Patent [19]
Kusanagi

[11] **Patent Number: Des. 374,434**

[45] **Date of Patent: **Oct. 8, 1996**

[54] **ELECTRONIC COMPUTER**

[75] Inventor: **Takashi Kusanagi**, Kawasaki, Japan

[73] Assignee: **Canon Kabushiki Kaisha**, Tokyo, Japan

[**] Term: **14 Years**

[21] Appl. No.: **42,771**

[22] Filed: **Aug. 17, 1995**

[30] **Foreign Application Priority Data**

Feb. 21, 1995 [JP] Japan 7-4403

[52] **U.S. Cl.** **D14/106**

[58] **Field of Search** D14/100, 101, D14/106, 113, 115, 124-127; D18/1, 7; 235/145 A, 145 R; 341/22, 23; 345/104, 156, 168, 173, 160; 361/679-686; 364/708.1, 709.04, 709.12; 400/486, 489

[56] **References Cited**

U.S. PATENT DOCUMENTS

D. 350,121 8/1994 Kaneko D14/106

Primary Examiner—Freda Nunn
Attorney, Agent, or Firm—Fitzpatrick, Cella, Harper & Scinto

[57] **CLAIM**

The ornamental design for an electronic computer, as shown and described.

DESCRIPTION

FIG. 1 is a front elevational view of an electronic computer showing my new design;

FIG. 2 is a top plan view thereof;

FIG. 3 is a left side elevational view thereof;

FIG. 4 is a right side elevational view thereof;

FIG. 5 is a rear elevational view thereof;

FIG. 6 is a bottom plan view thereof; and,

FIG. 7 is a perspective view thereof.

1 Claim, 4 Drawing Sheets

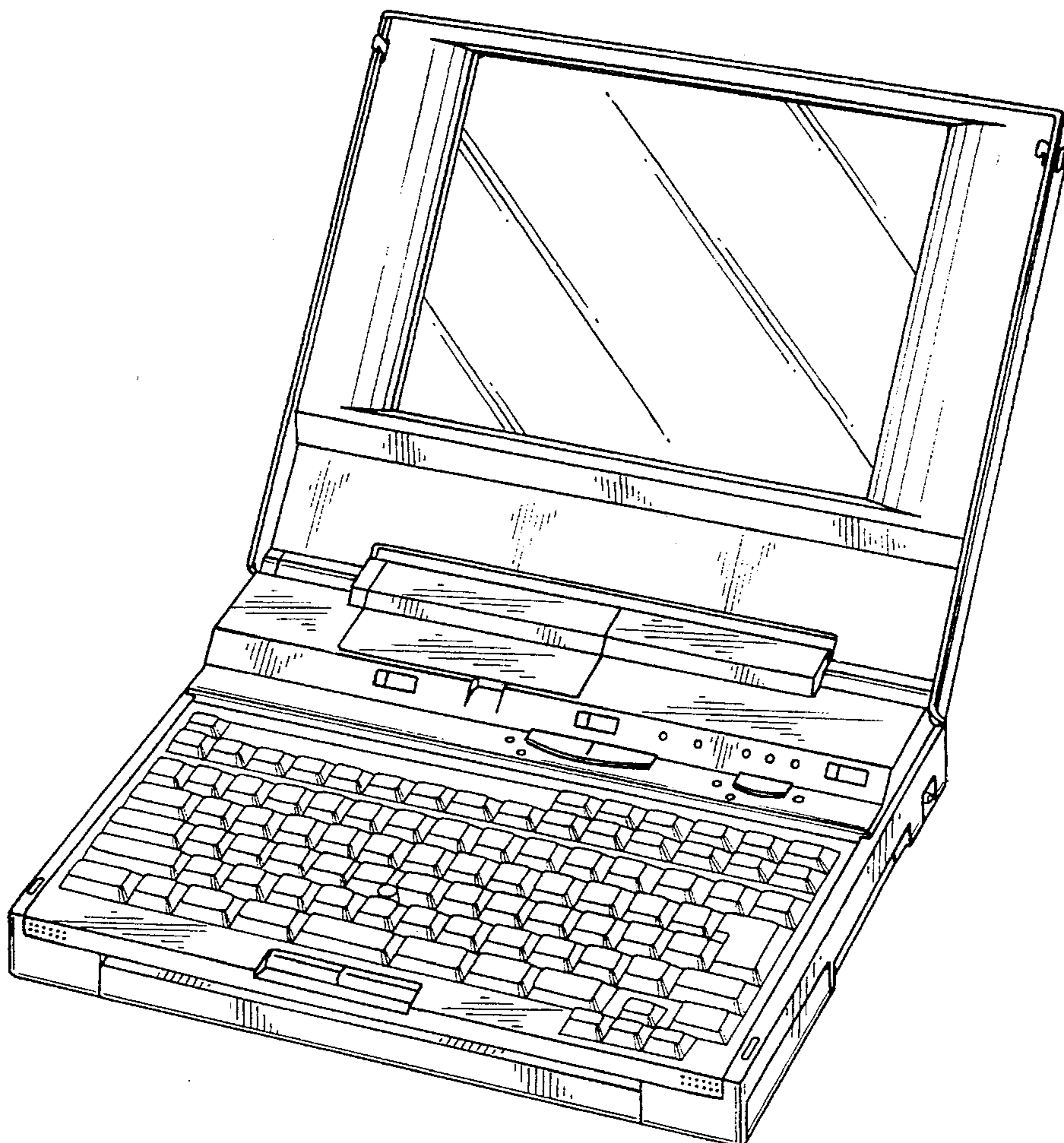


FIG. 1

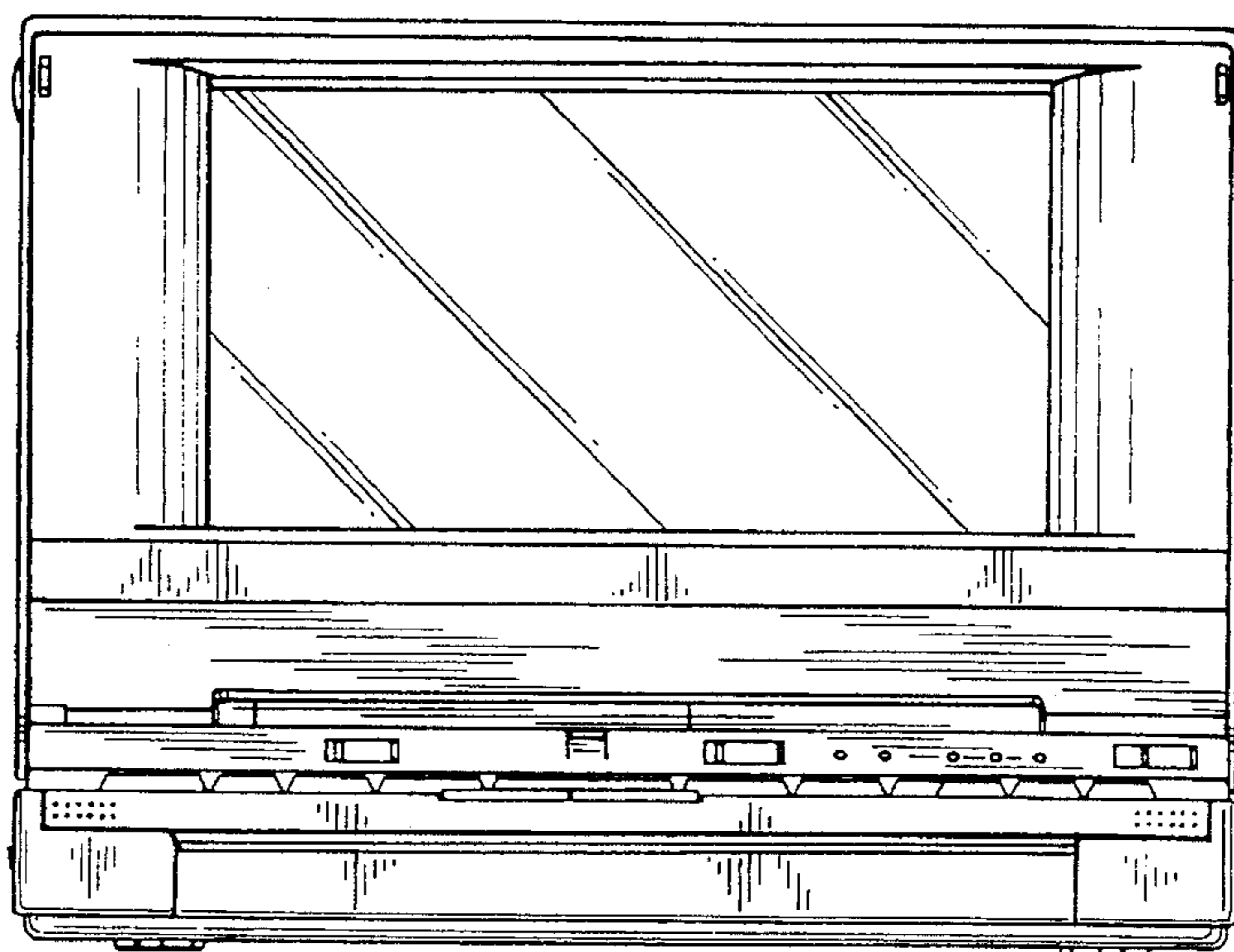


FIG. 2

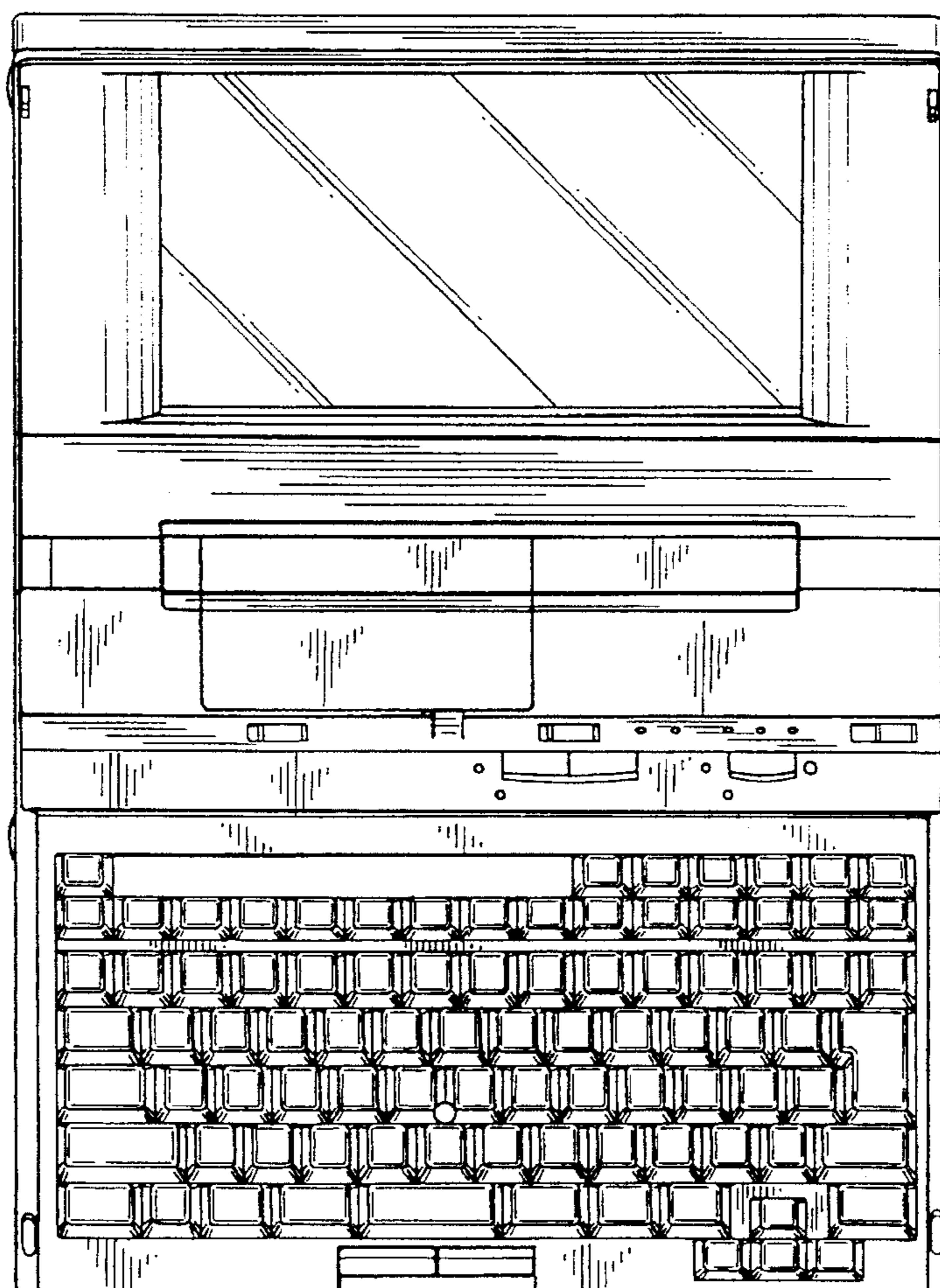


FIG. 3

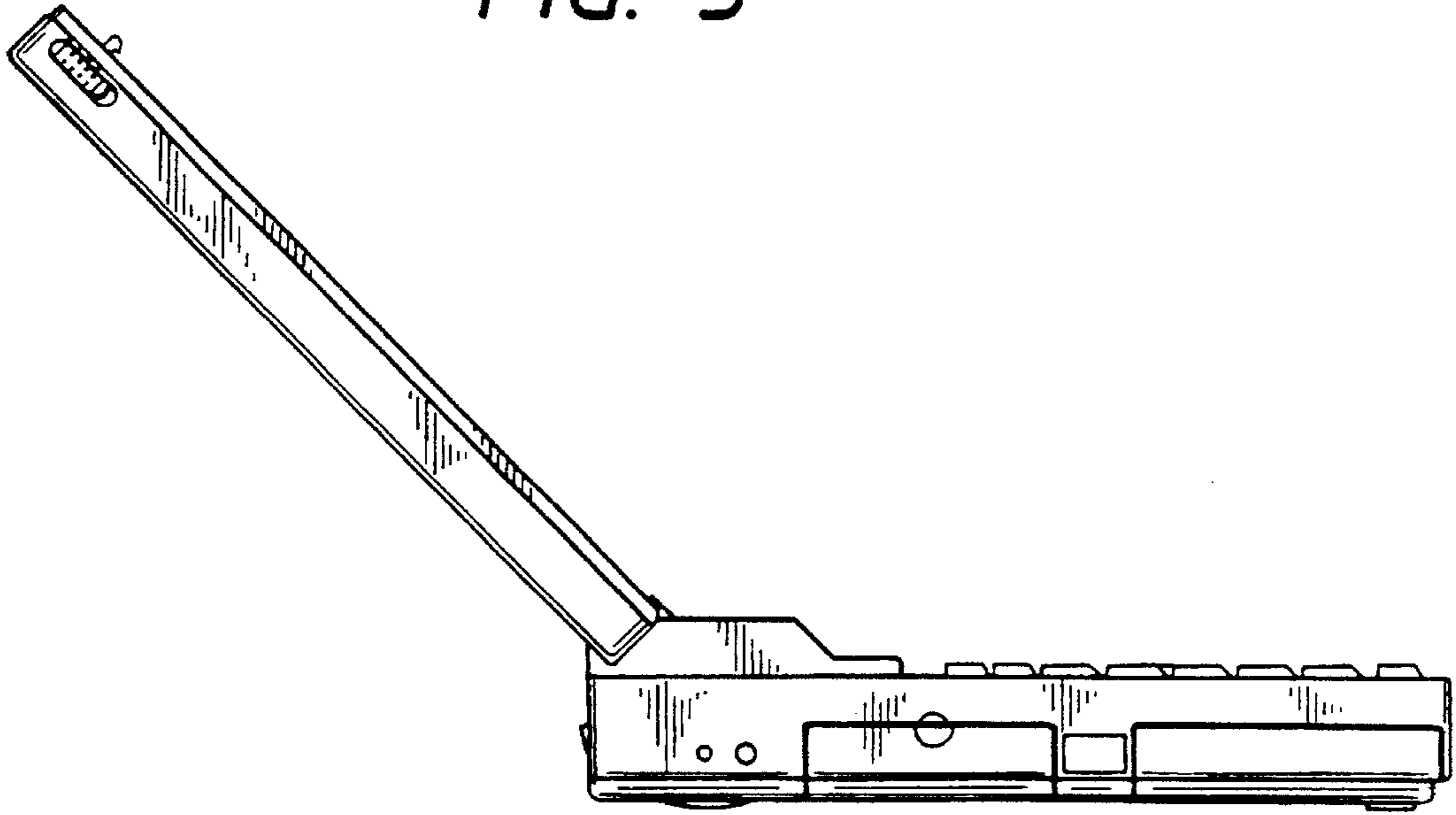


FIG. 4

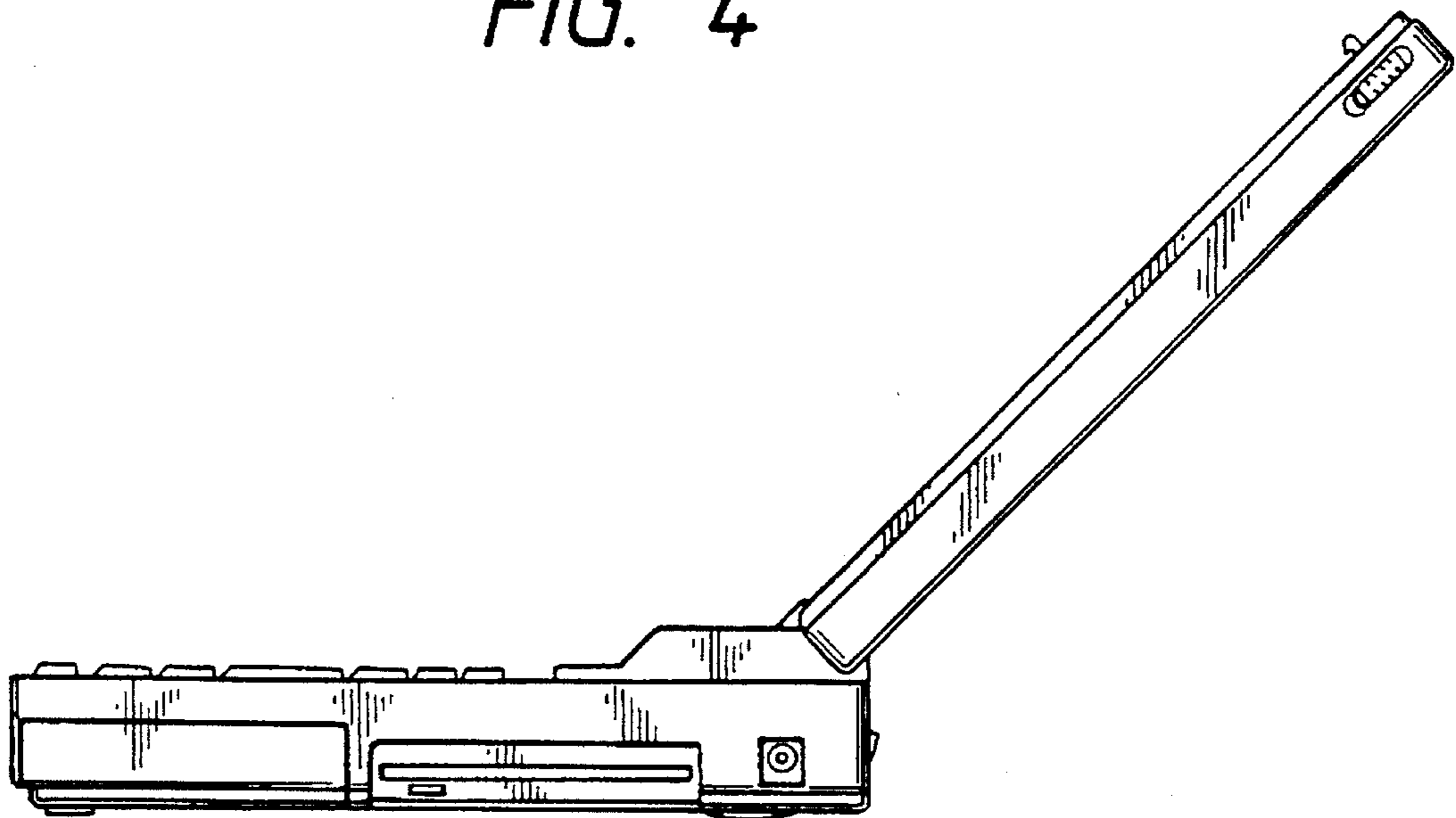


FIG. 5

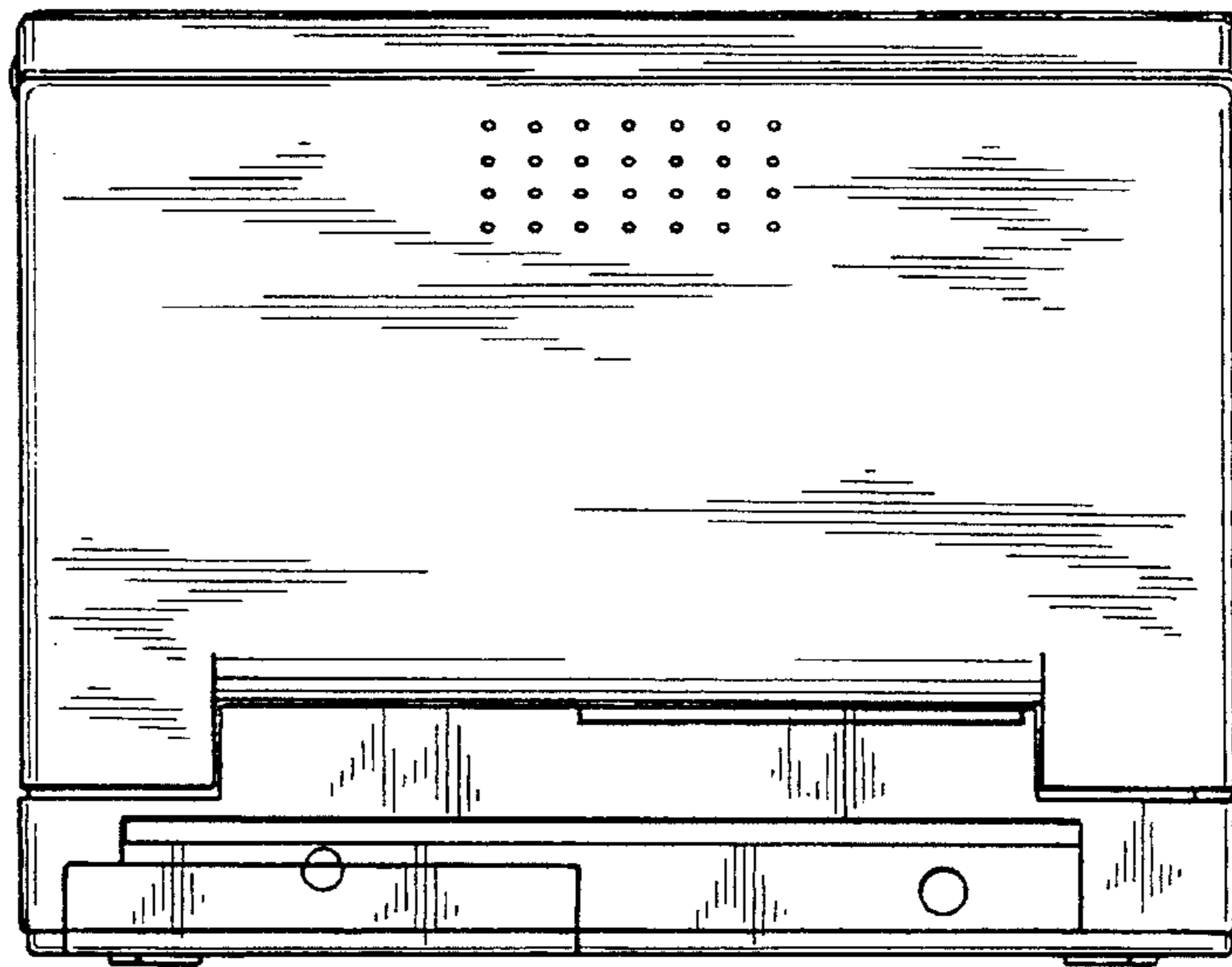


FIG. 6

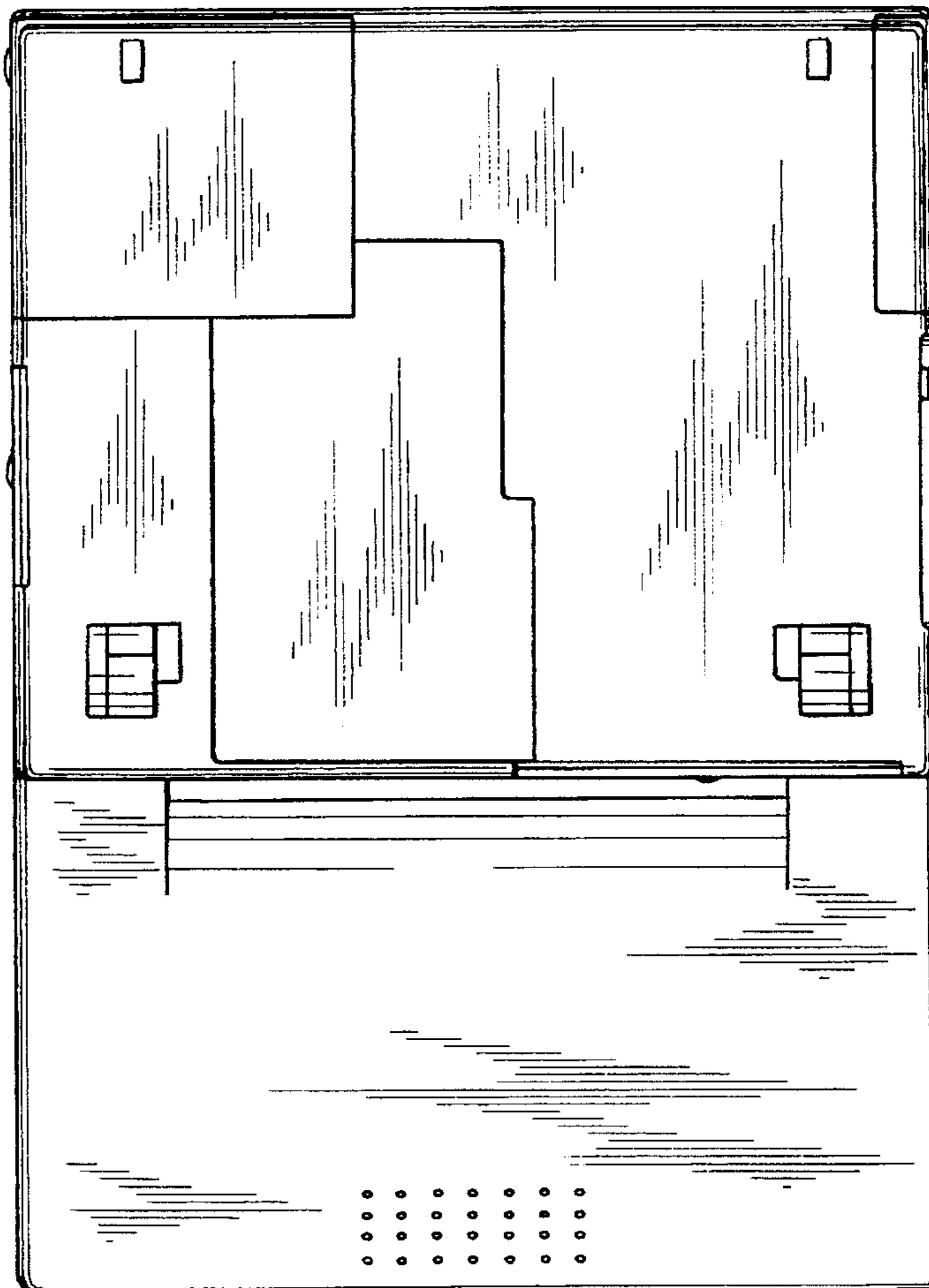


FIG. 7

