



US00D374429S

# United States Patent [19]

Blais et al.

[11] Patent Number: **Des. 374,429**

[45] Date of Patent: **\*\*Oct. 8, 1996**

[54] **ELECTRONIC TERMINAL COVER PLATE**

[75] Inventors: **Pierre Blais; Antoine Wlodarski**, both of Montreal, Canada

[73] Assignee: **Electroline Equipment Inc.**, Montreal, Canada

[\*\*] Term: **14 Years**

[21] Appl. No.: **24,381**

[22] Filed: **Jun. 13, 1994**

[30] **Foreign Application Priority Data**

Feb. 5, 1994 [CA] Canada ..... 1994-0977

[52] U.S. Cl. .... **D13/156**

[58] Field of Search ..... D13/154, 156, D13/152; 174/48, 50, 52.1, 53, 66, 67; 220/3.8, 241, 242; 439/135, 207

[56] **References Cited**

### U.S. PATENT DOCUMENTS

D. 335,279 5/1993 Parduhn ..... D13/156 X  
2,906,811 9/1959 Fisher ..... 439/207 X

2,930,504 3/1960 Hudson ..... D13/152 X  
4,370,516 1/1983 Bailey, Jr. et al. .... 174/48 X  
4,758,687 7/1988 Lathrop ..... 174/53  
4,975,545 12/1990 China et al. .... 174/52.1  
5,192,217 3/1993 Wittmer ..... 439/135 X

### OTHER PUBLICATIONS

Cover 6087 on p. 1-16 of *Bryant Wiring Devices* Jun. 1987 catalog No. BDB 1504.

*Primary Examiner*—Joel Sincavage  
*Attorney, Agent, or Firm*—Norman B. Rainer

[57] **CLAIM**

The ornamental design for an electronic terminal cover plate, as shown and described.

### DESCRIPTION

FIG. 1 is a top plan view of the electronic terminal cover plate showing our new design; FIG. 2 is a top perspective view thereof; and, FIG. 3 is a side view thereof, the opposite side being a mirror image.

**1 Claim, 1 Drawing Sheet**

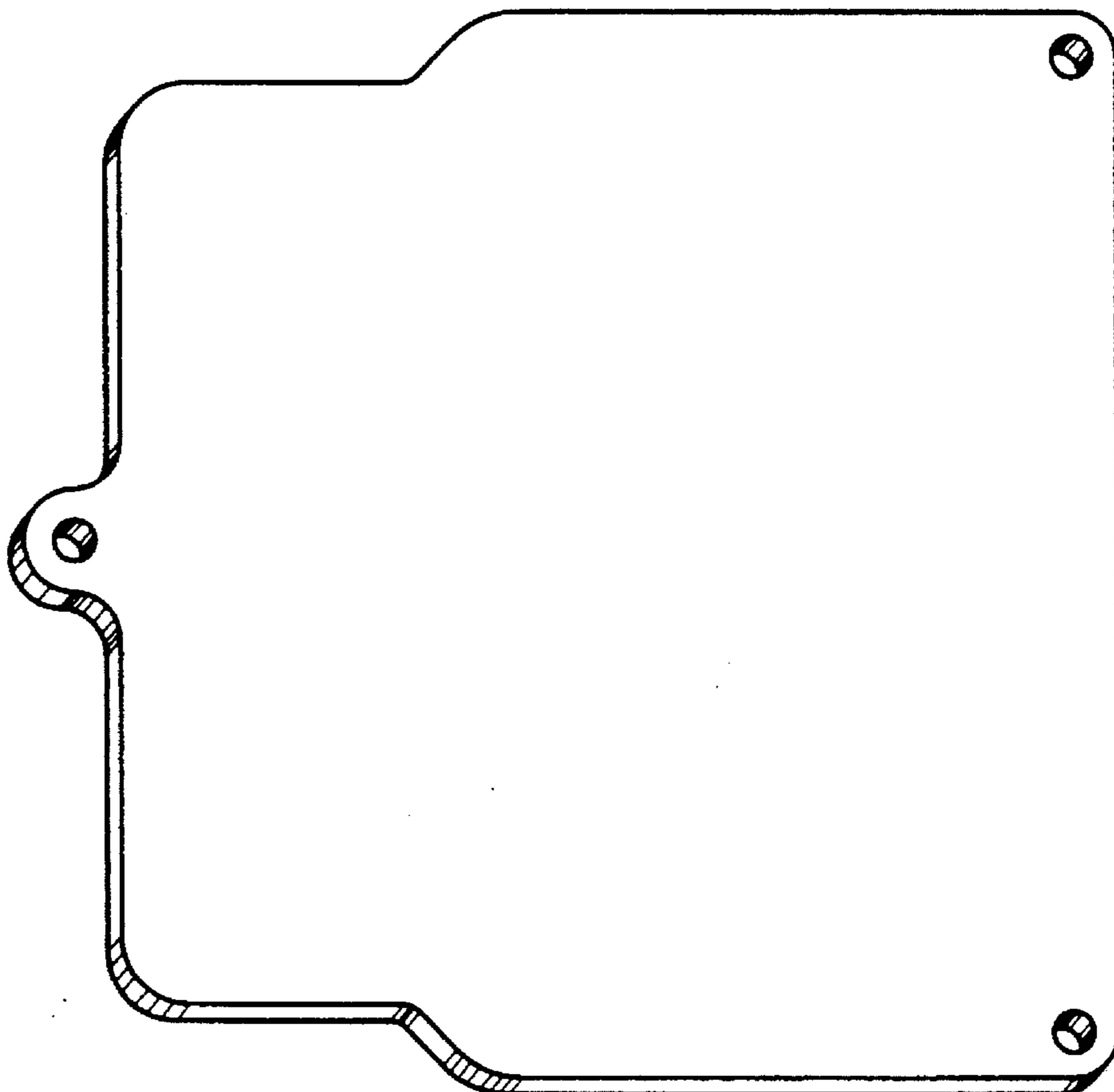


FIG. 1

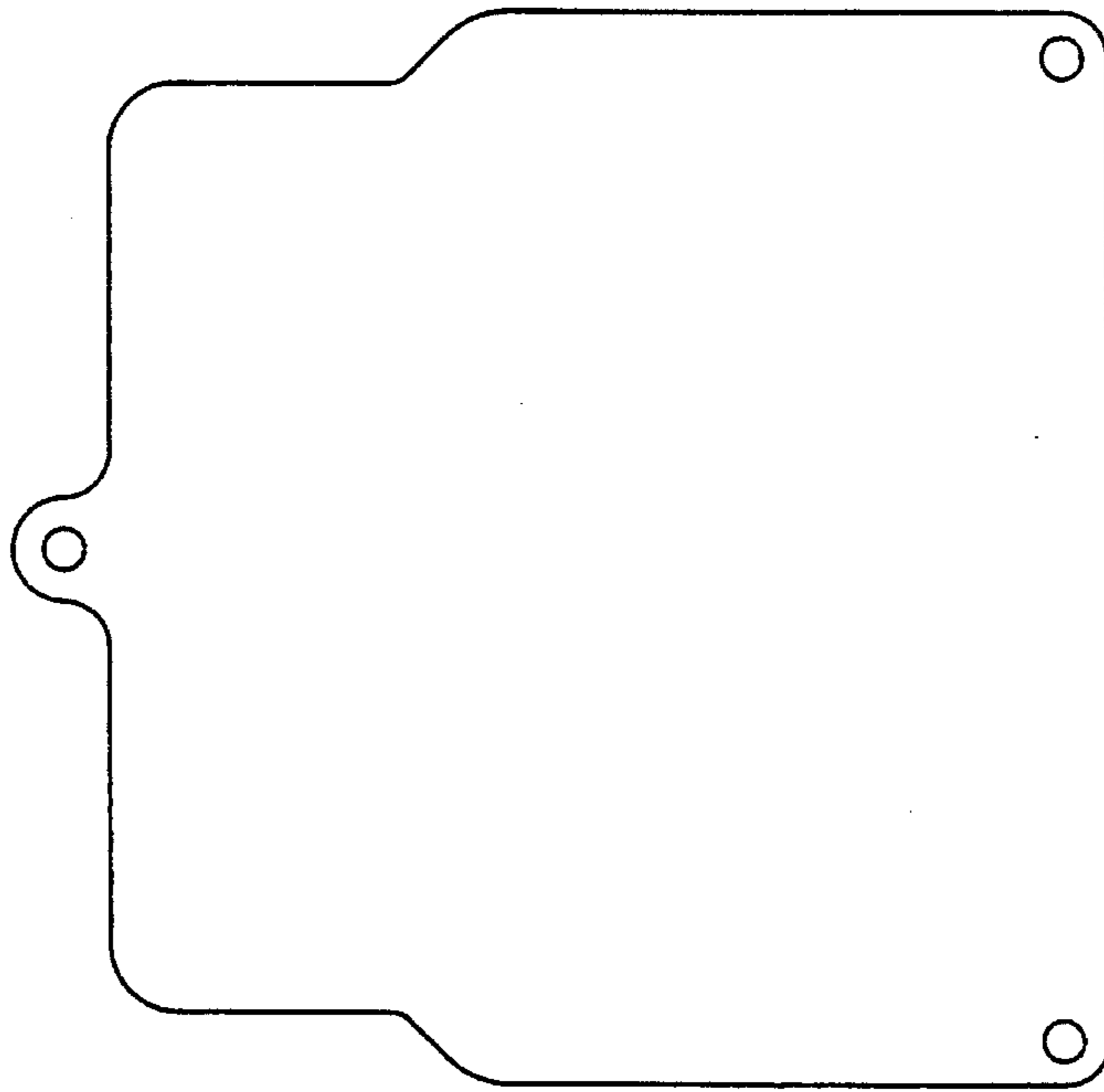


FIG. 2

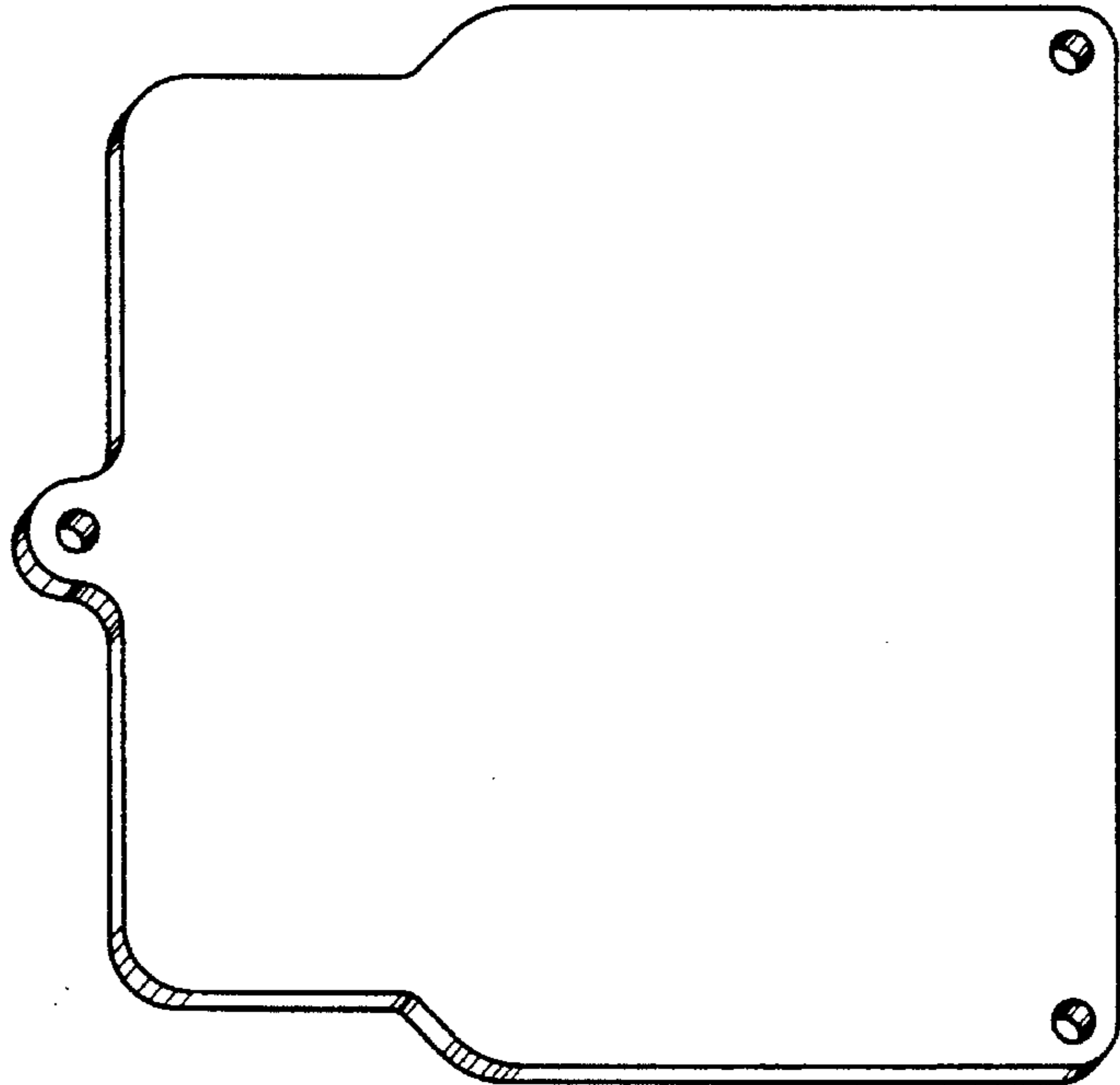


FIG. 3