



US00D374428S

United States Patent [19]

Scherer et al.

[11] Patent Number: **Des. 374,428**

[45] Date of Patent: ****Oct. 8, 1996**

[54] **ELECTRICAL CURRENT LIMITER FOR POWER DISTRIBUTION SYSTEMS**

[75] Inventors: **Henry W. Scherer**, Gurnee; **Bruce A. Biller**, Chicago; **Hiram S. Jackson**, Morton Grove, all of Ill.

[73] Assignee: **S&C Electric Company**, Chicago, Ill.

[**] Term: **14 Years**

[21] Appl. No.: **21,332**

[22] Filed: **Apr. 7, 1994**

[52] U.S. Cl. **D13/160**

[58] Field of Search D13/160, 161, D13/178; 337/158, 159, 168, 171; 361/11, 58; 200/144 AP; 348/380

[56] **References Cited**

U.S. PATENT DOCUMENTS

3,827,010 7/1974 Cameron et al. 337/168

OTHER PUBLICATIONS

Open fuse cutouts on p. 1 of Westinghouse Descriptive Bulletin 38-620.

Primary Examiner—Joel Sincavage
Attorney, Agent, or Firm—J. V. Lapacek

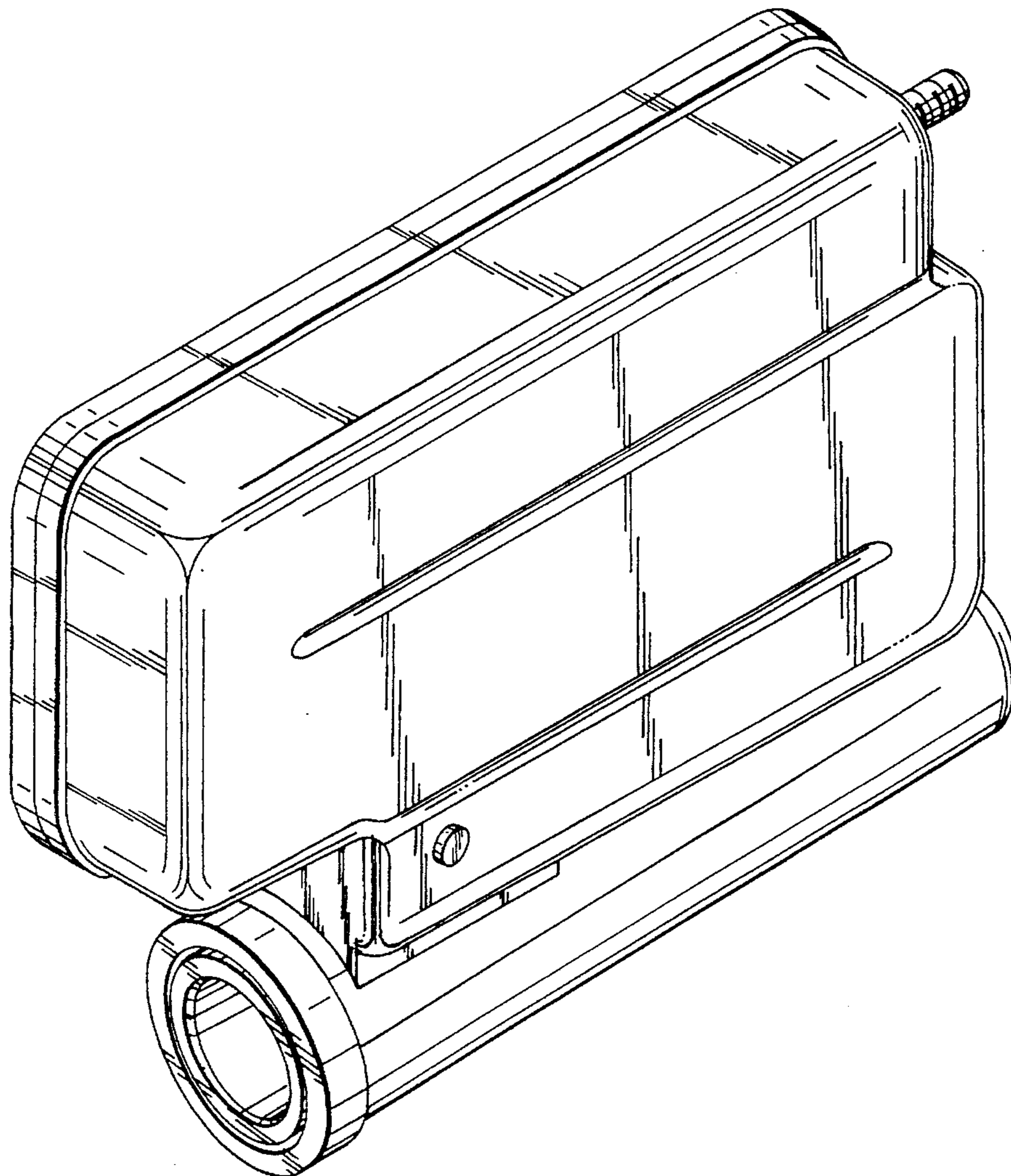
[57] **CLAIM**

The ornamental design for an electrical current limiter for power distribution systems, as shown and described.

DESCRIPTION

FIG. 1 is a perspective view of an electrical current limiter for power distribution systems showing our new design; FIG. 2 is a front elevational view thereof; FIG. 3 is a right side elevational view thereof; FIG. 4 is a left side elevational view thereof; FIG. 5 is a rear elevational view thereof; FIG. 6 is a top plan view thereof; and, FIG. 7 is a bottom plan view thereof.

1 Claim, 3 Drawing Sheets



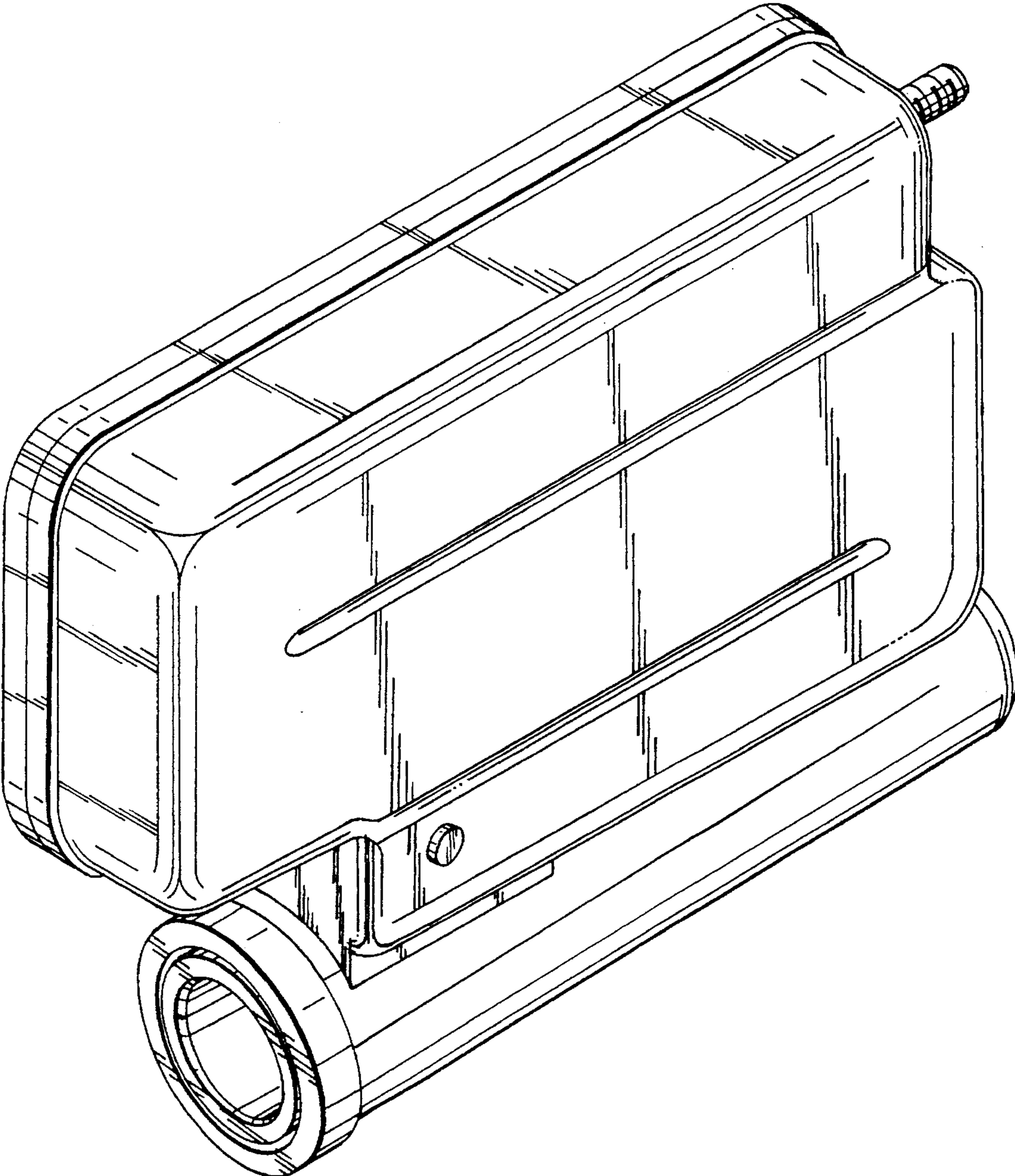


Fig. 1

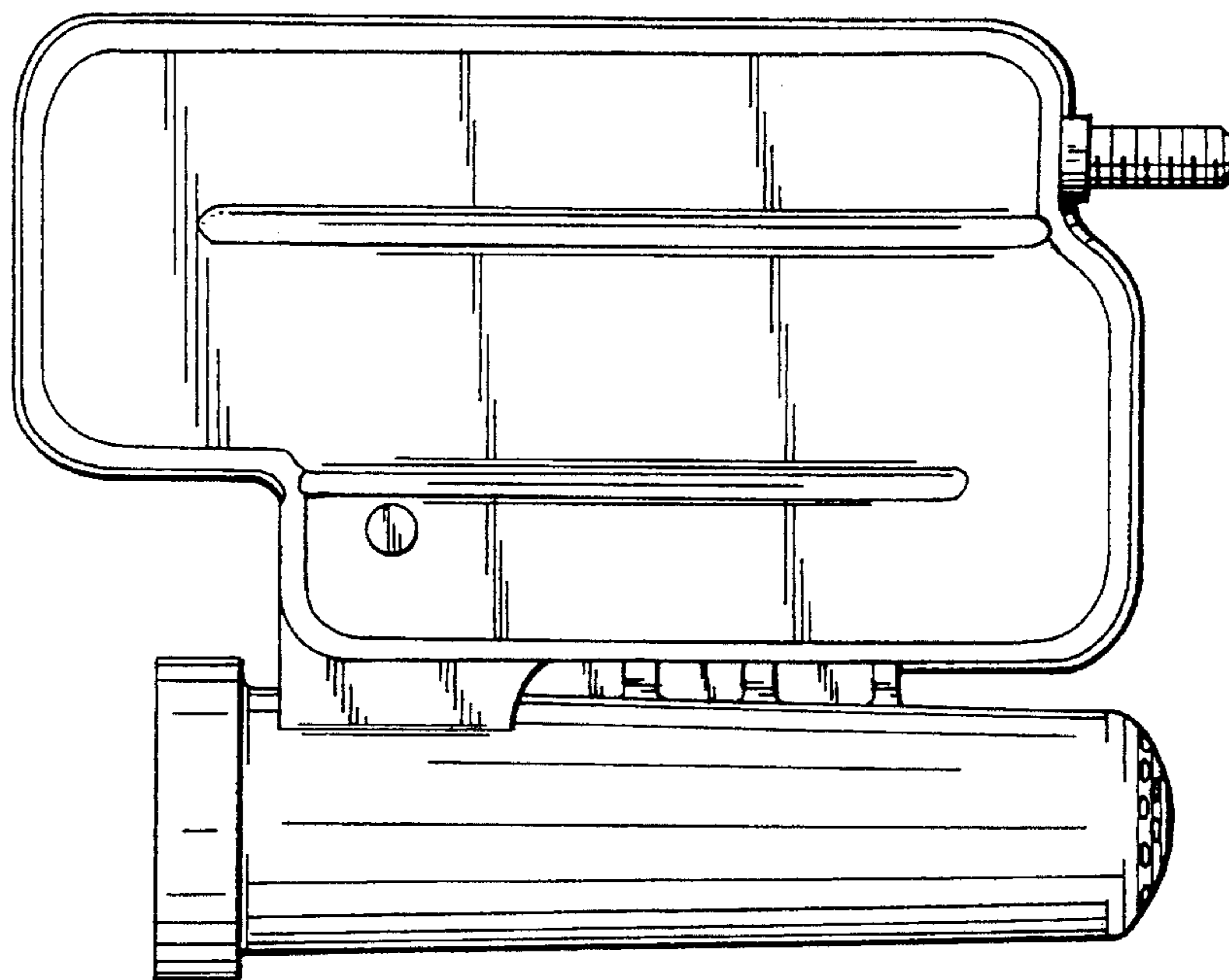


Fig. 2

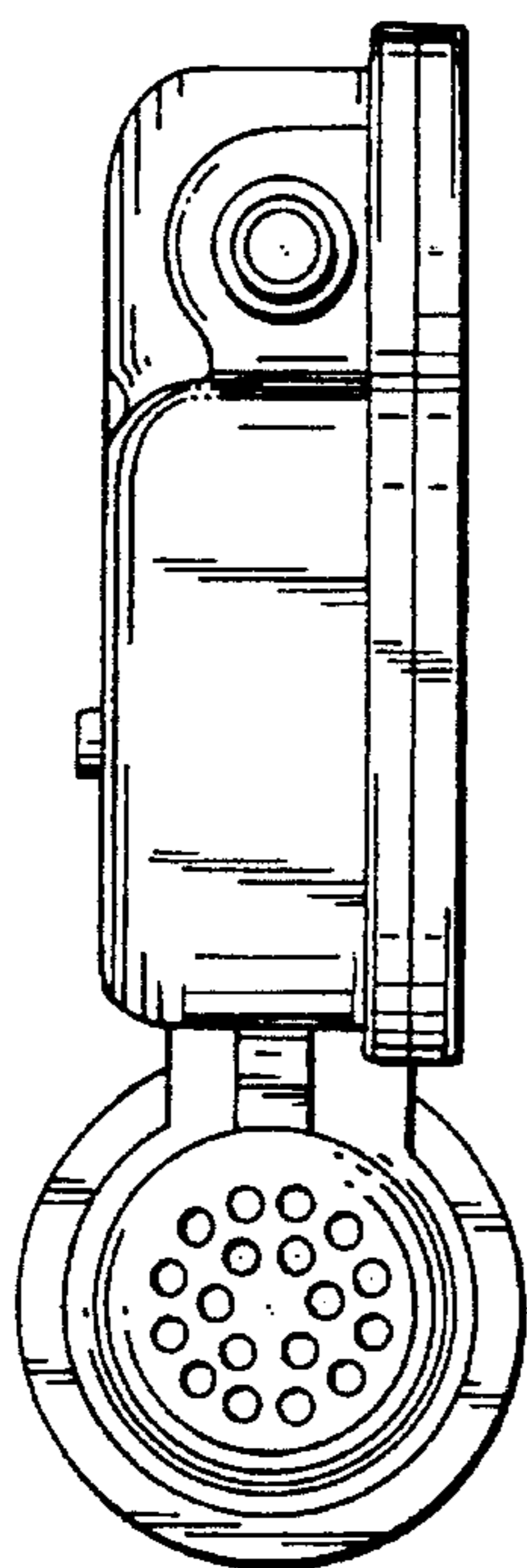


Fig. 3

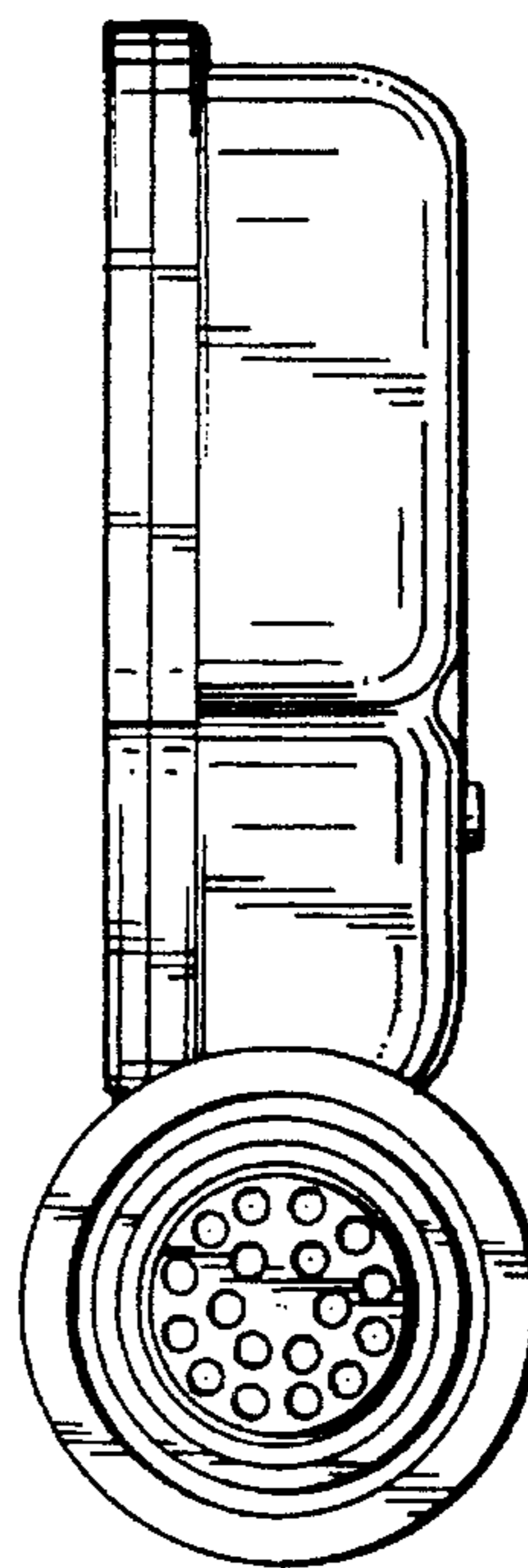


Fig. 4

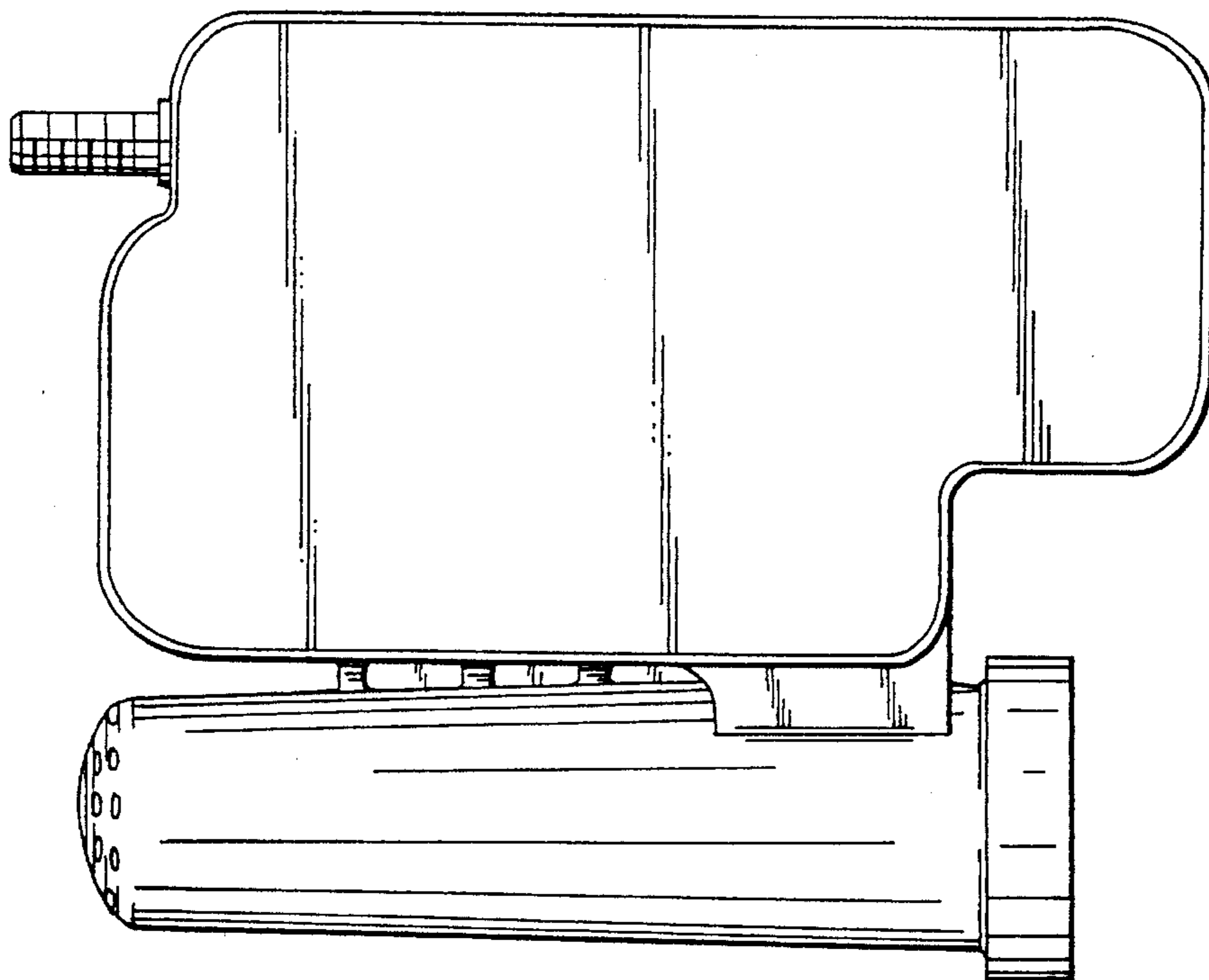


Fig. 5

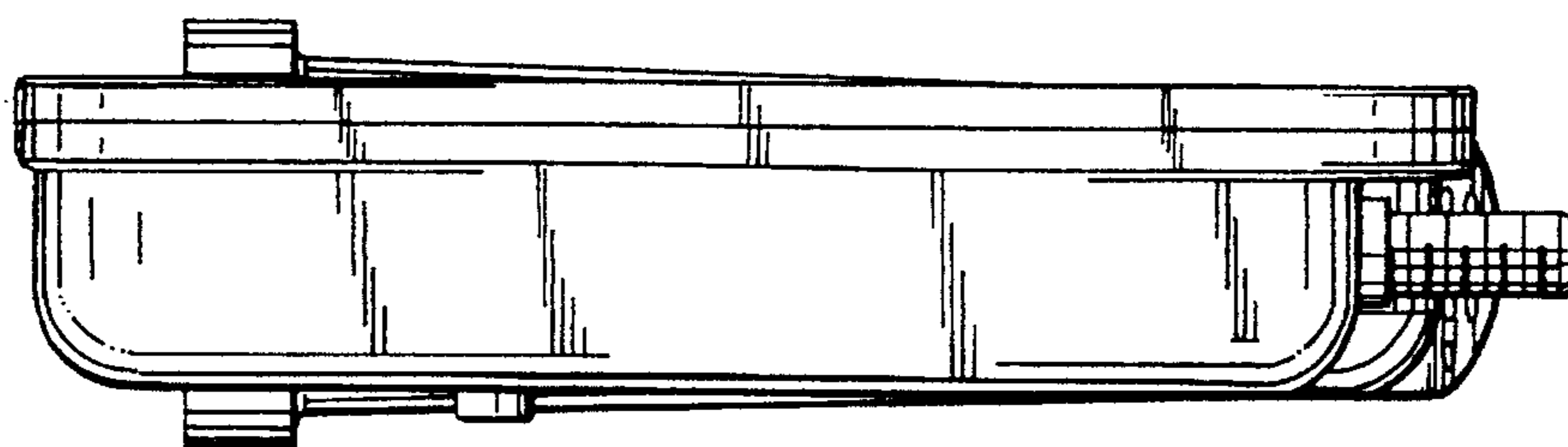


Fig. 6

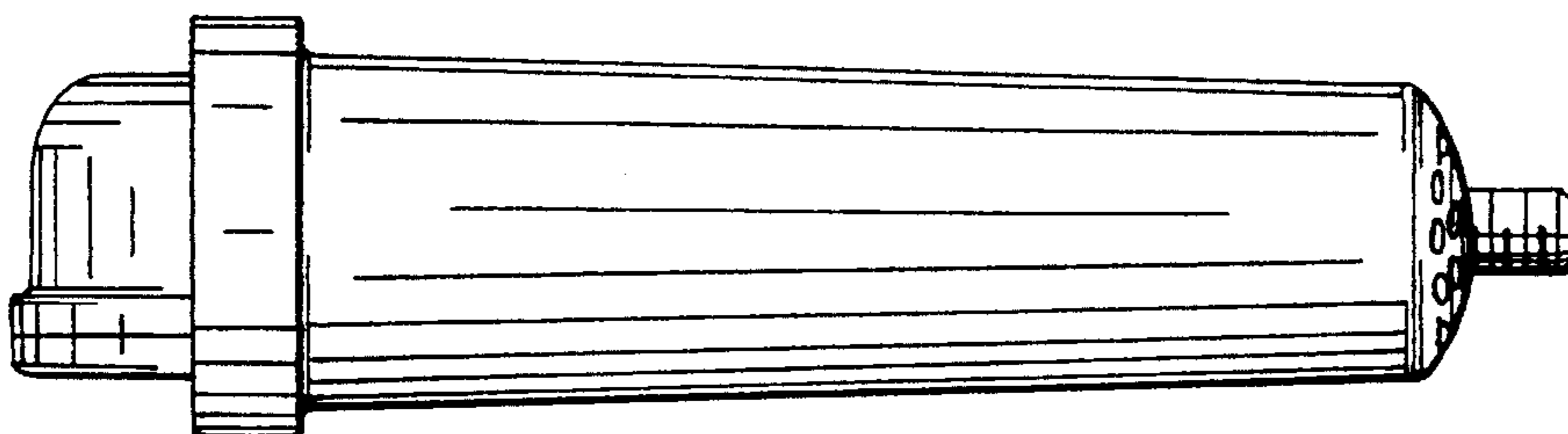


Fig. 7