



US00D374427S

United States Patent [19]

Sandor et al.

[11] Patent Number: **Des. 374,427**

[45] Date of Patent: ****Oct. 8, 1996**

[54] COMBINED ELECTRICAL PLUG AND CONNECTOR BODIES

[75] Inventors: **John L. Sandor**, Wallingford; **William C. Boteler**, Bridgeport, both of Conn.

[73] Assignee: **Hubbell Incorporated**, Orange, Conn.

[**] Term: **14 Years**

[21] Appl. No.: **47,302**

[22] Filed: **Nov. 29, 1995**

Related U.S. Application Data

[63] Continuation of Ser. No. 39,033, May 19, 1995.

[52] U.S. Cl. **D13/133**

[58] Field of Search **D13/133, 146, D13/147; 439/282, 296, 352, 832, 835, 903**

[56] References Cited

U.S. PATENT DOCUMENTS

D. 242,720	12/1976	Loforese	D1/146
D. 244,859	6/1977	Jaconette	D13/3
D. 244,860	6/1977	Jaconette	D13/3
D. 314,750	2/1991	Wegrzyn et al.	D13/146
D. 314,751	2/1991	Wegrzyn et al.	D13/146
D. 332,600	1/1993	Lucey et al.	D13/147
D. 332,601	1/1993	Lucey et al.	D13/147
D. 360,187	7/1995	Starec et al.	D13/146
4,010,999	3/1977	Hoffman	339/107
4,138,185	2/1979	Jaconette, Jr.	439/467
4,191,444	3/1980	Smith et al.	439/459
5,041,013	8/1991	Greenbaum	439/425

OTHER PUBLICATIONS

GE Wiring Devices—Full Line Catalog—1989—pp. B5, B15, E3, M2.

Photographs of Pass & Seymour, Inc.'s—5965 Plug and 5969 Connector shown coupled together and separately—Prior to May 19, 1995.

Primary Examiner—Joel Sincavage

Attorney, Agent, or Firm—Jerry M. Presson; David L. Tarnoff

[57] CLAIM

The ornamental design for combined electrical plug and connector bodies, as shown and described.

DESCRIPTION

FIG. 1 is a top perspective view of the combined electrical plug and connector bodies according to our new design;

FIG. 2 is a top plan view of the combined electrical plug and connector bodies of our new design shown in FIG. 1;

FIG. 3 is a rear side elevational view of the combined electrical plug and connector bodies of our new design shown in FIGS. 1-2, which is substantially a mirror image of the front side;

FIG. 4 is a bottom plan view of the combined electrical plug and connector bodies of our new design shown in FIGS. 1-3;

FIG. 5 is a right end elevational view of the combined electrical plug and connector bodies of our new design shown in FIGS. 1-4; and,

FIG. 6 is a left end elevational view of the combined electrical plug and connector bodies of our new design shown in FIGS. 1-5.

1 Claim, 2 Drawing Sheets

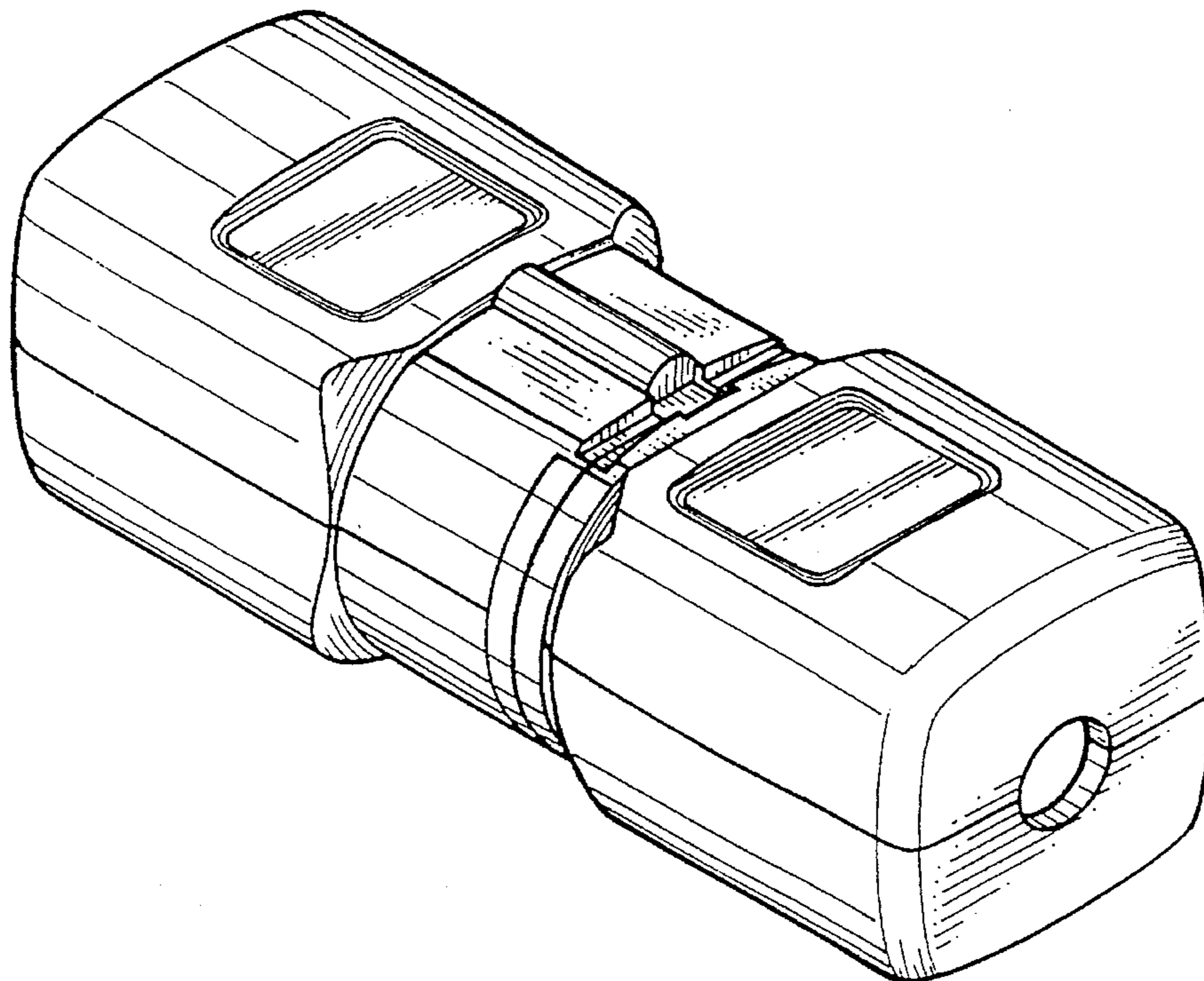


FIG. 1

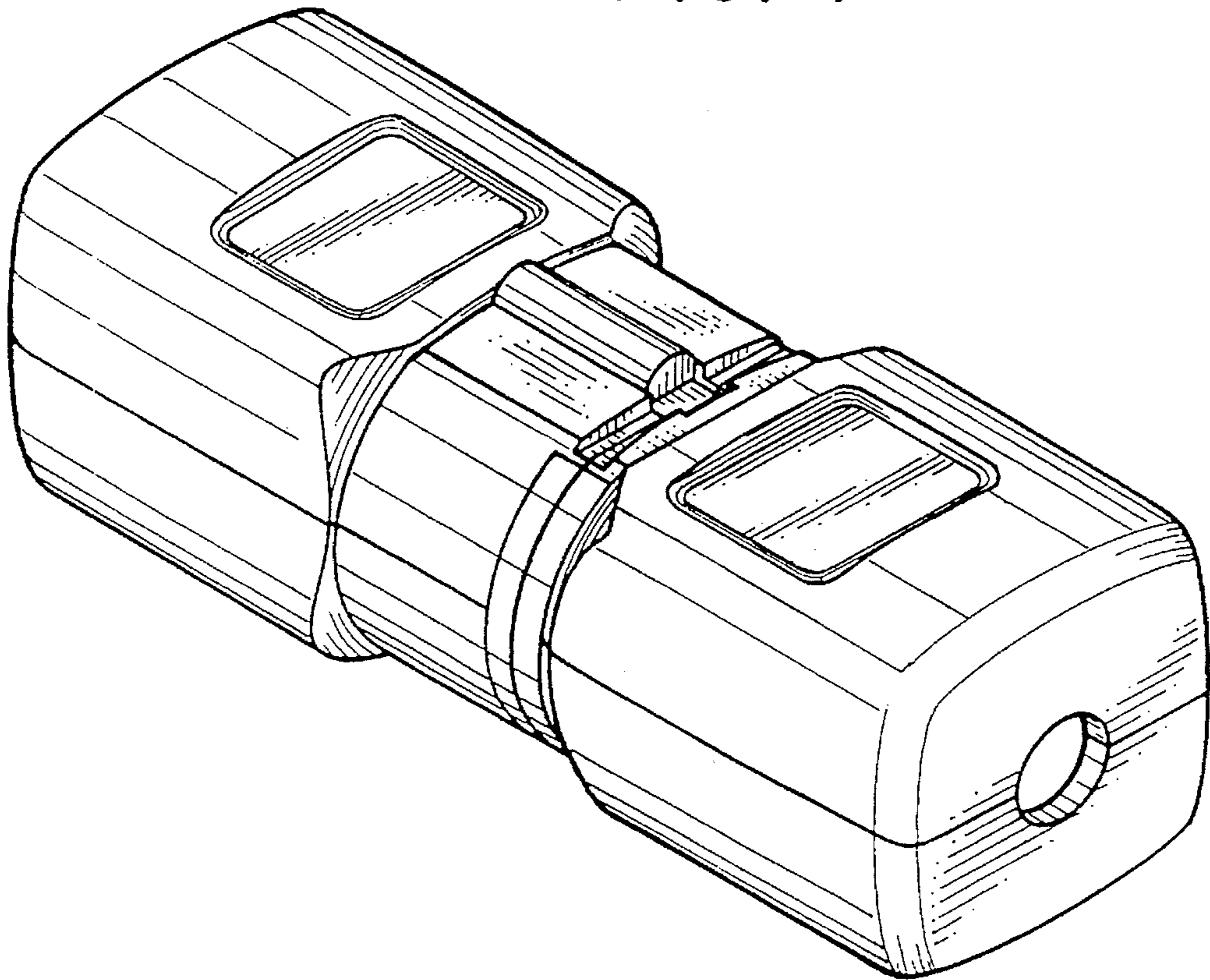


FIG. 2

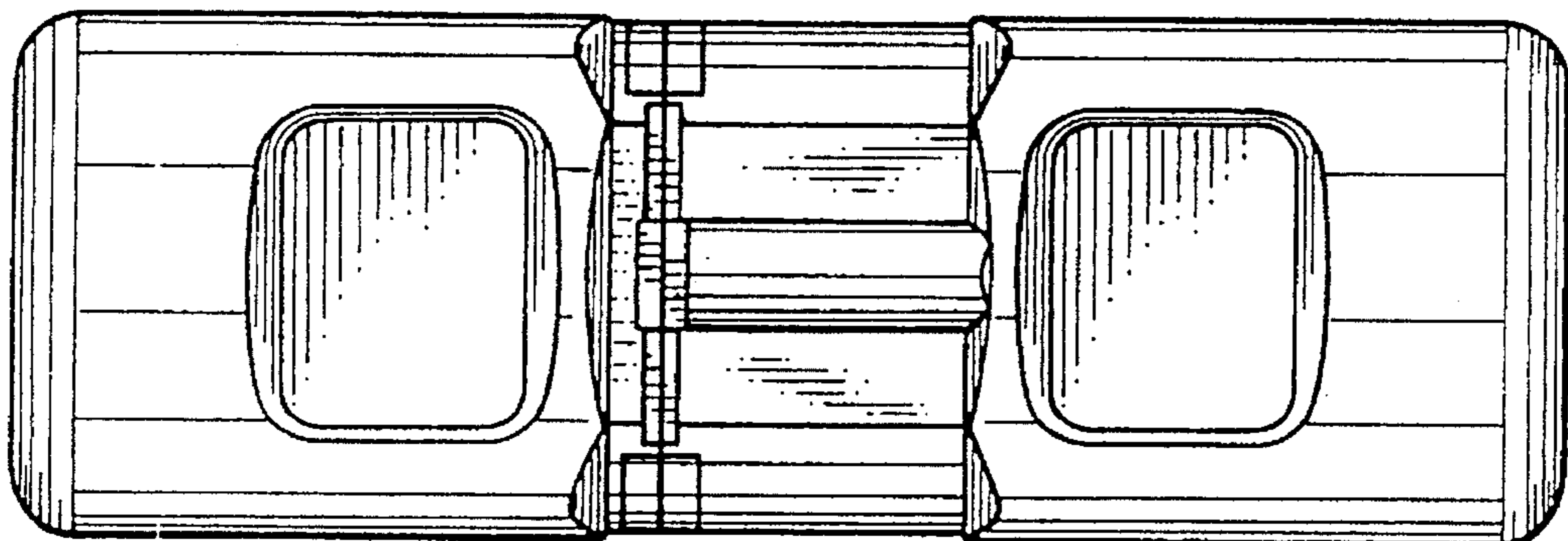


FIG. 3

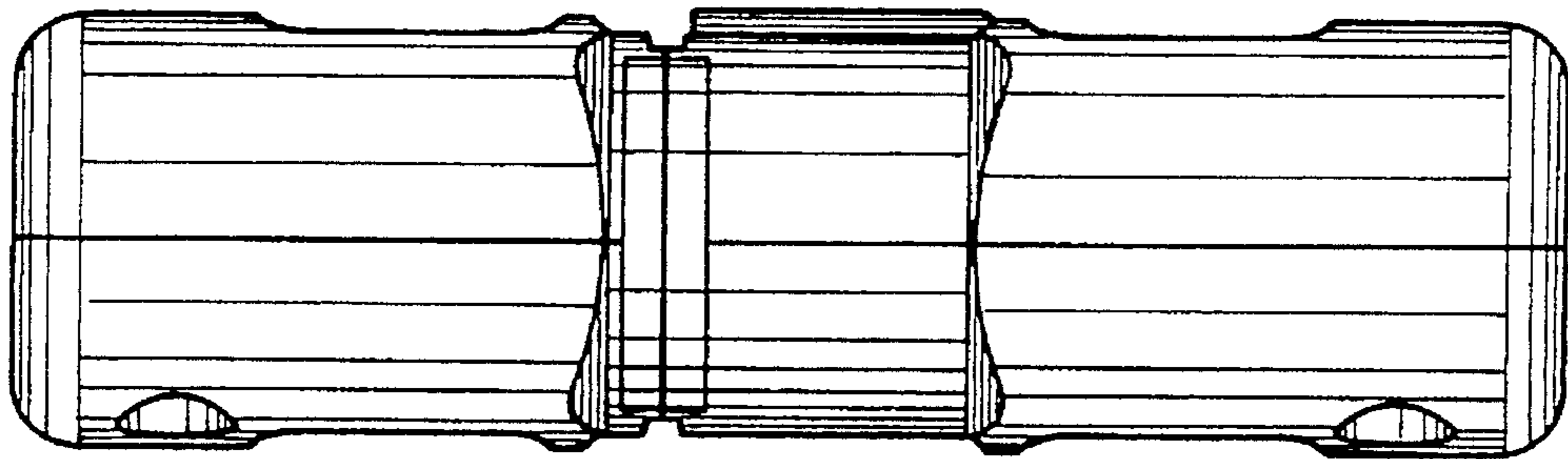


FIG. 4

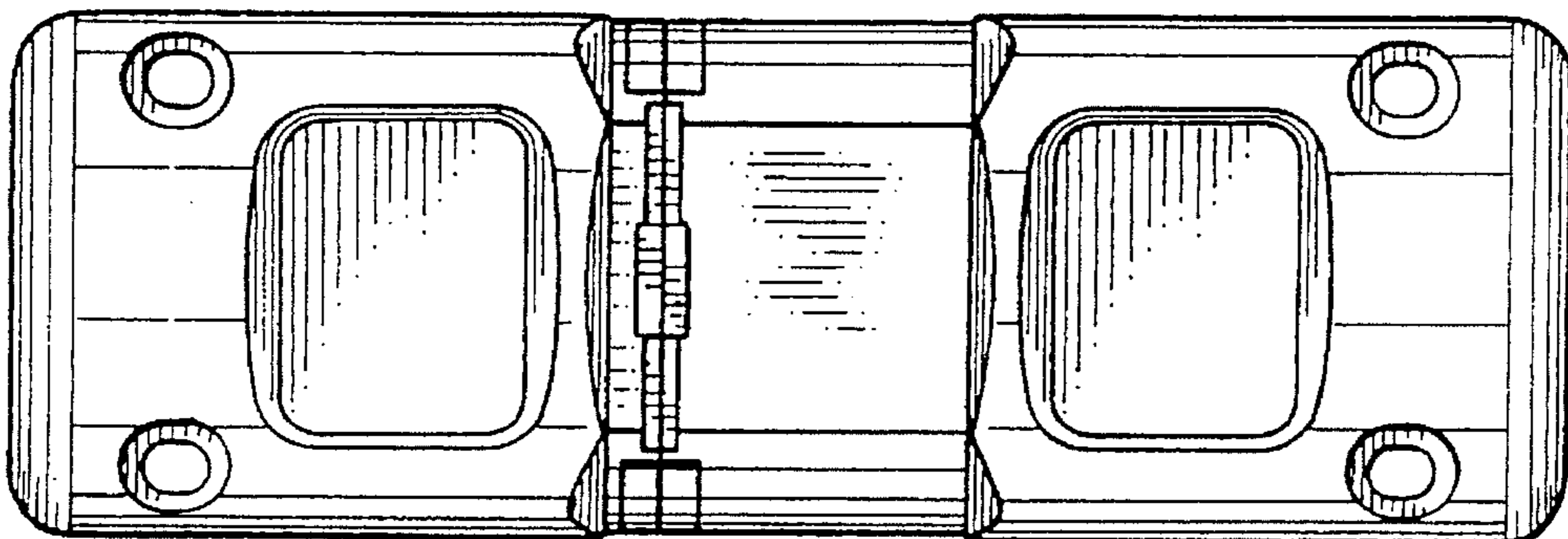


FIG. 5

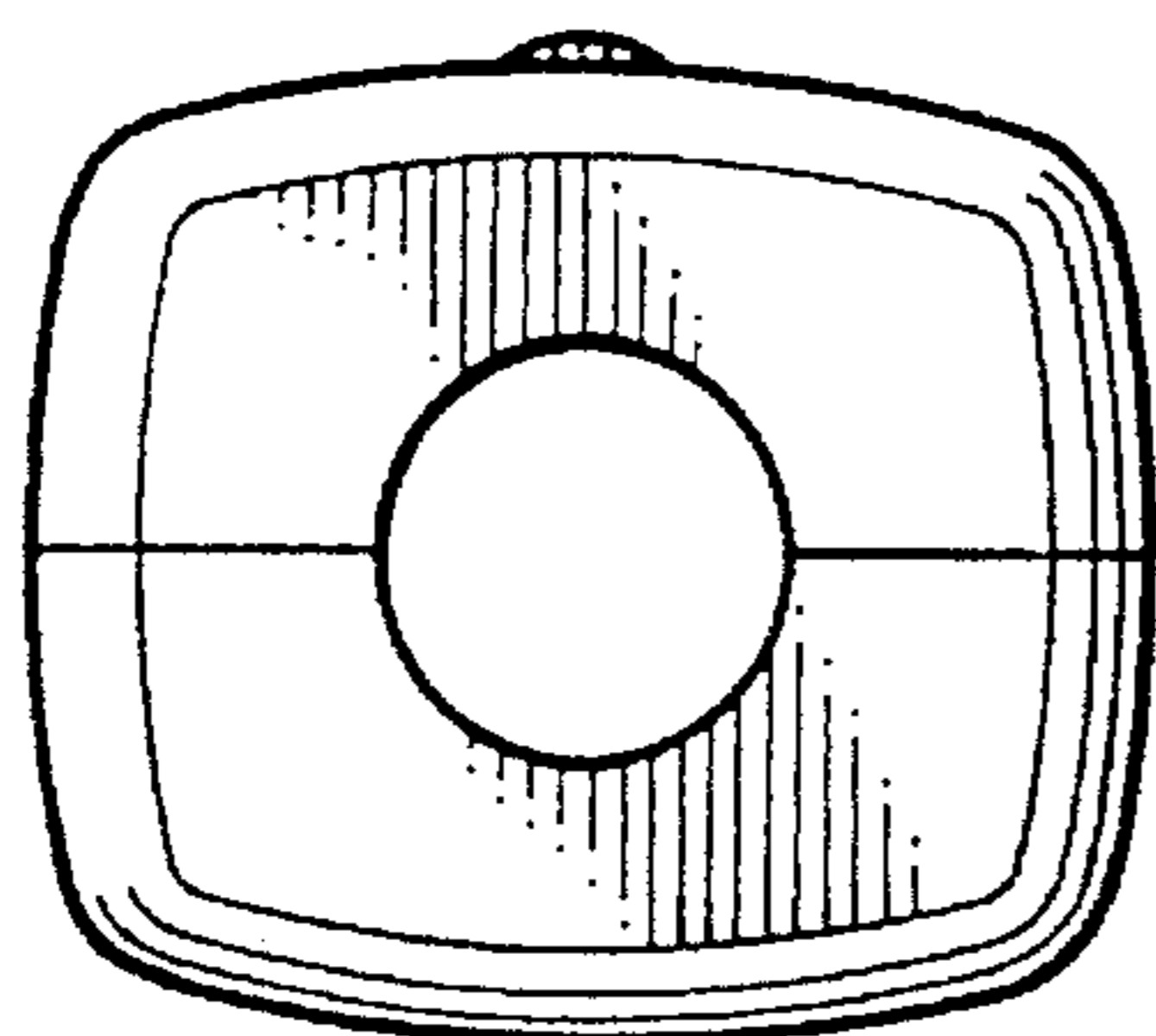


FIG. 6

