



US00D374426S

United States Patent [19]

Nuovo

[11] Patent Number: **Des. 374,426**

[45] Date of Patent: ****Oct. 8, 1996**

[54] **CHARGER**

[75] Inventor: **Frank Nuovo**, Los Angeles, Calif.

[73] Assignee: **Nokia Mobile Phones Ltd.**, Salo, Finland

[**] Term: **14 Years**

[21] Appl. No.: **37,230**

[22] Filed: **Apr. 7, 1995**

[52] U.S. Cl. **D13/108**

[58] Field of Search D13/107, 108;
320/2, 3, 4, 15

[56] **References Cited**

U.S. PATENT DOCUMENTS

- D. 231,474 4/1974 Helgesson D13/107
- D. 288,432 2/1987 Nagele D13/107
- D. 333,651 3/1993 Itou et al. D13/108

- D. 349,884 8/1994 Iino D13/108
- 5,107,196 4/1992 Agreste, Jr. et al. 320/2

Primary Examiner—Joel Sincavage
Attorney, Agent, or Firm—Perman & Green

[57] **CLAIM**

The ornamental design for a charger, as shown and described.

DESCRIPTION

FIG. 1 is a front perspective view from above and one side of a charger showing our new design;
FIG. 2 is a rear perspective view from above and one side of a charger showing our new design;
FIG. 3 is a bottom view;
FIG. 4 is a top view;
FIG. 5 is a rear view with the cable omitted; and,
FIG. 6 is a front view.

1 Claim, 2 Drawing Sheets

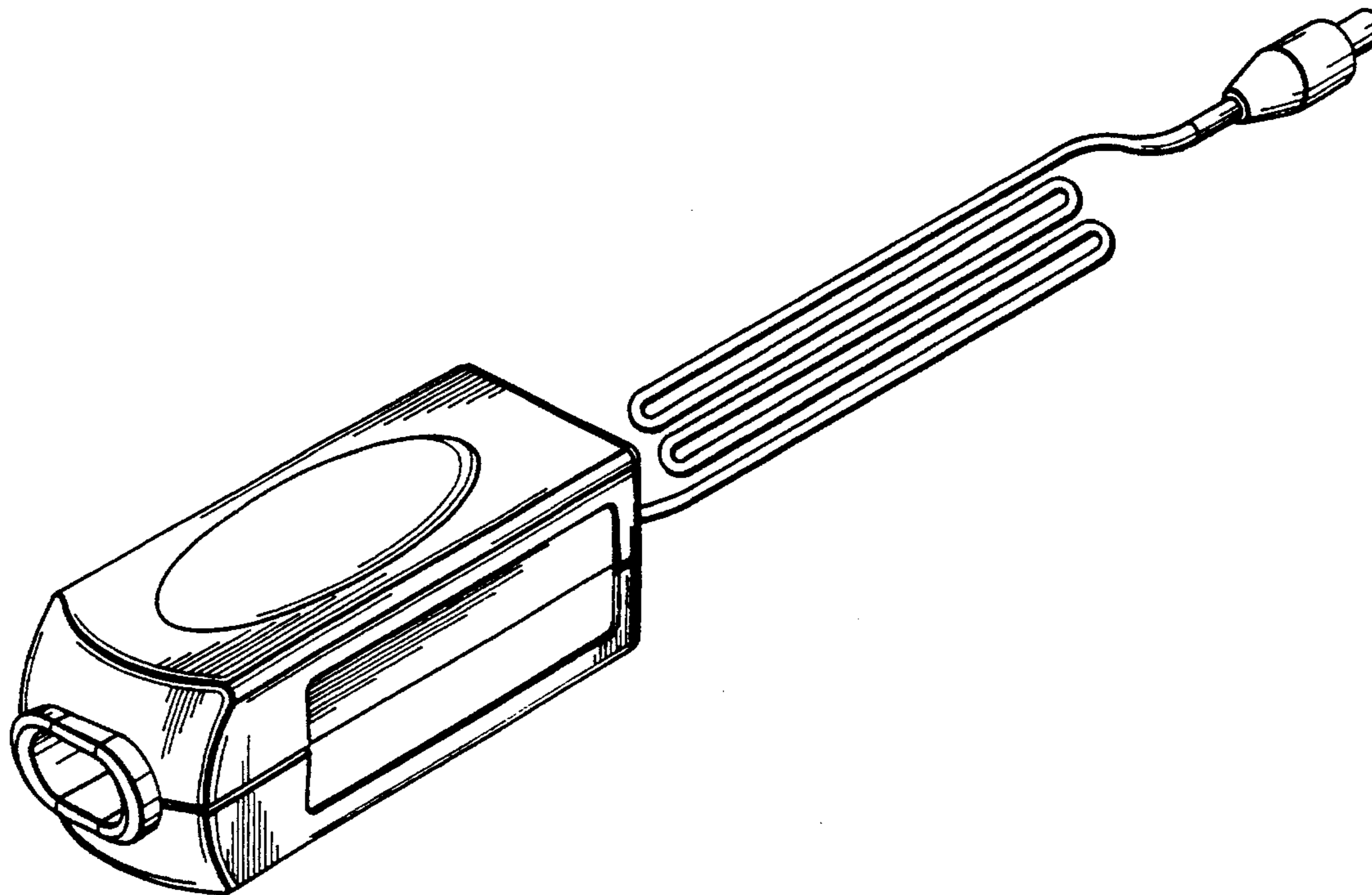


FIG. 1.

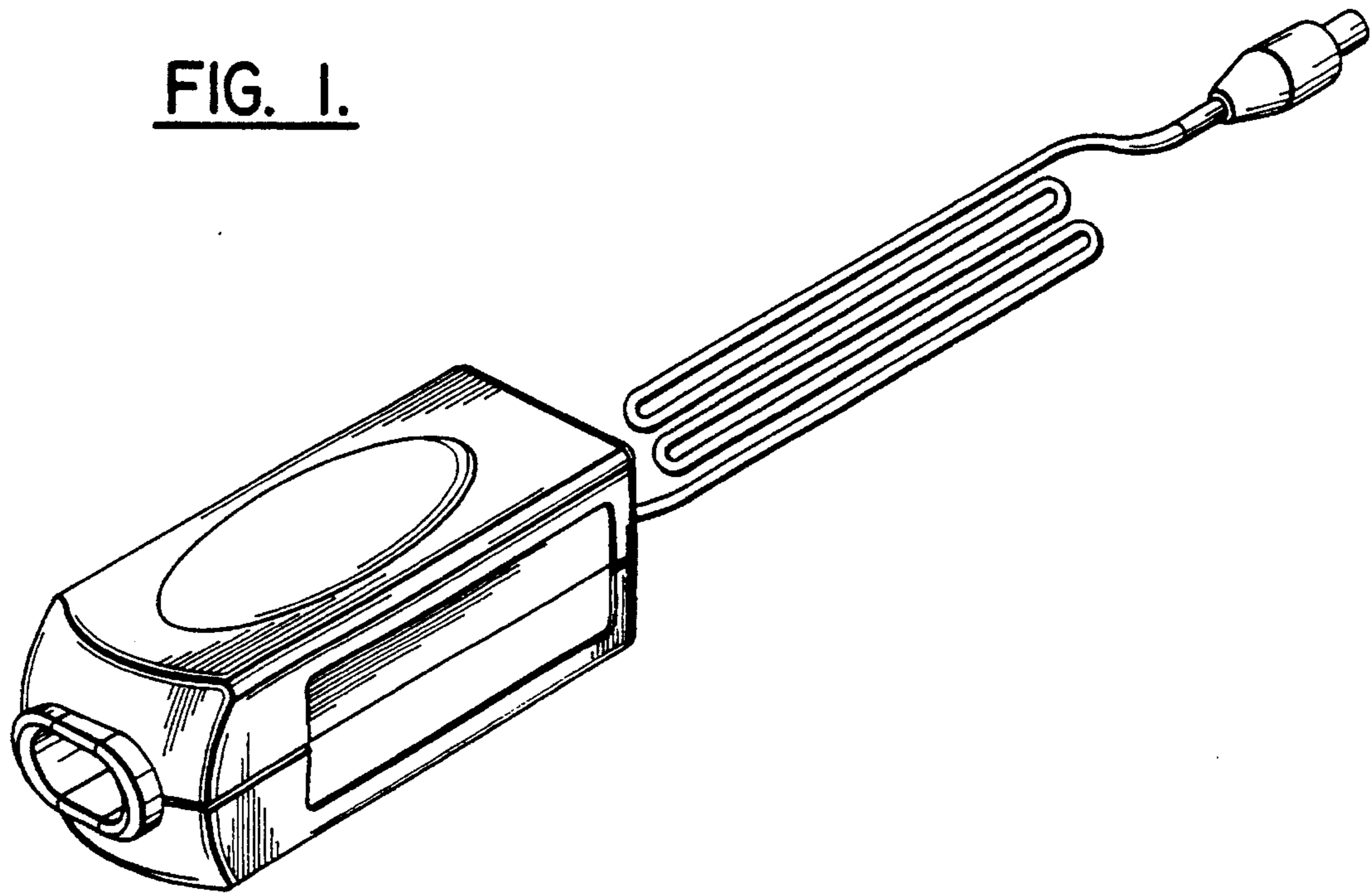


FIG. 2.

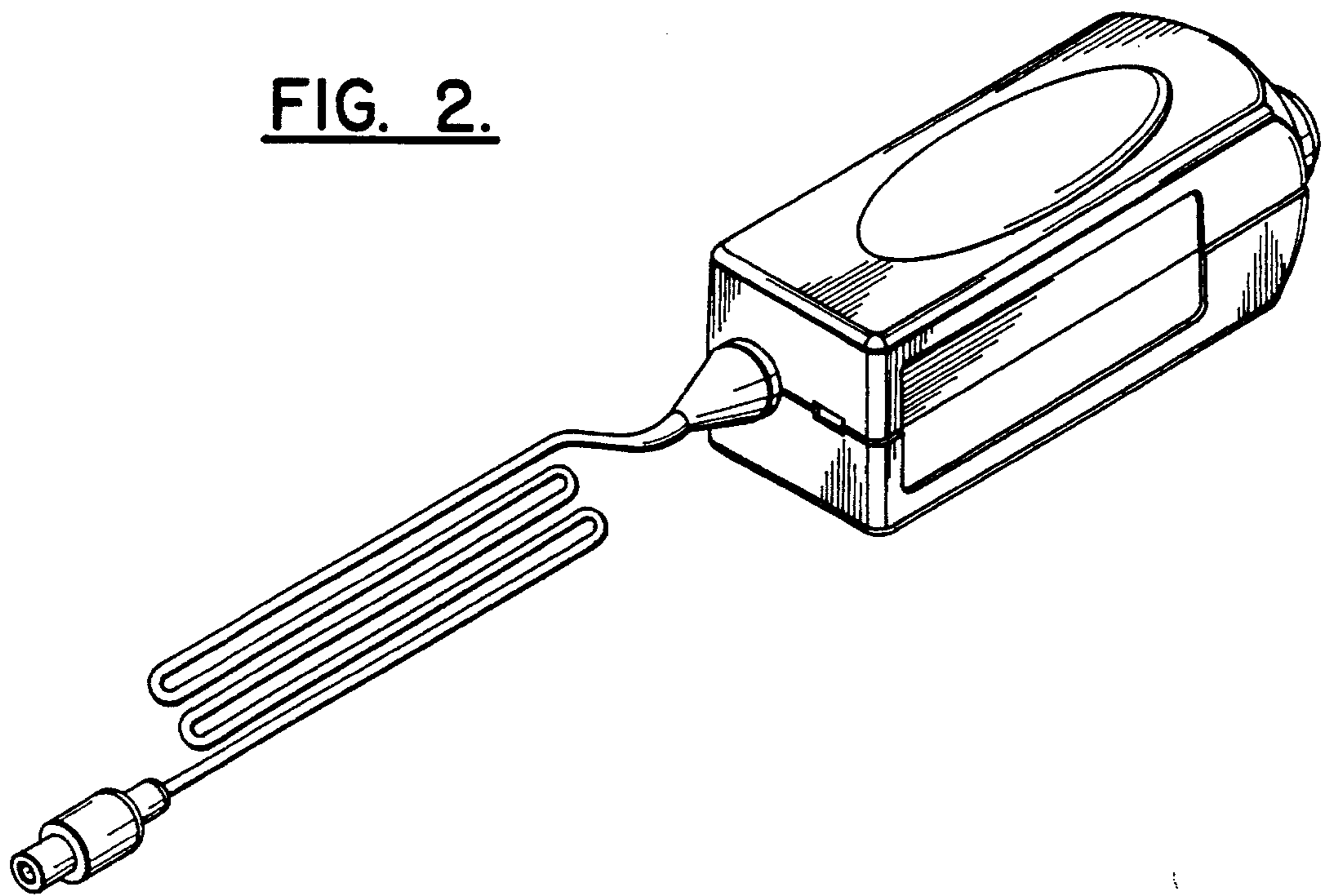


FIG. 3.

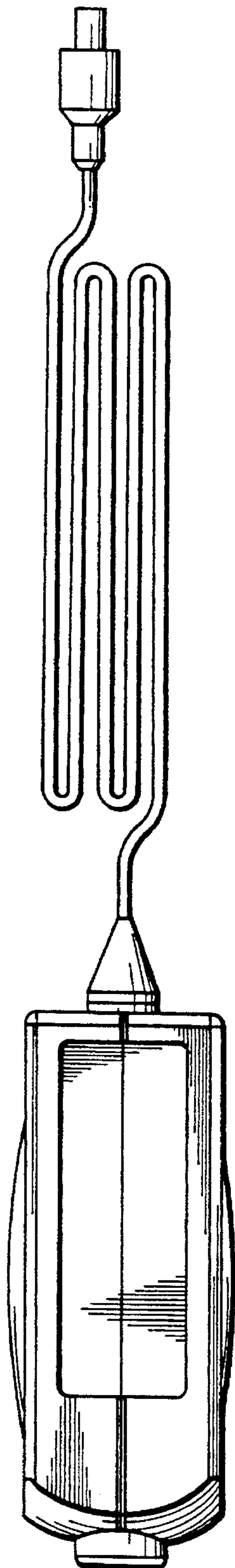


FIG. 4.

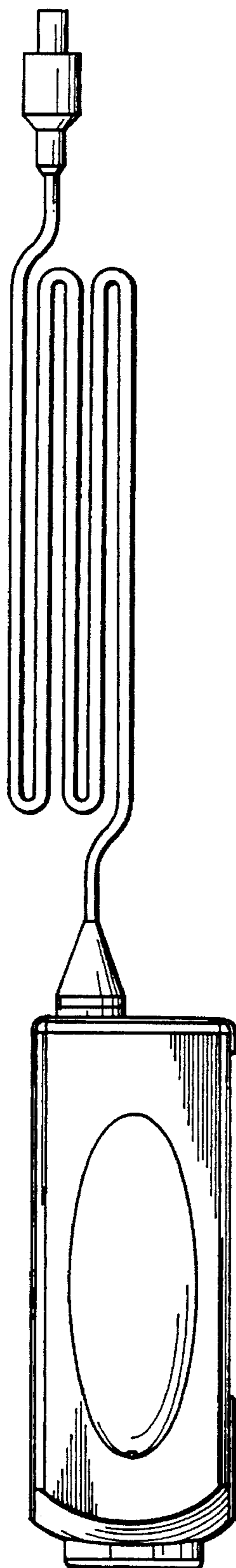


FIG. 5.

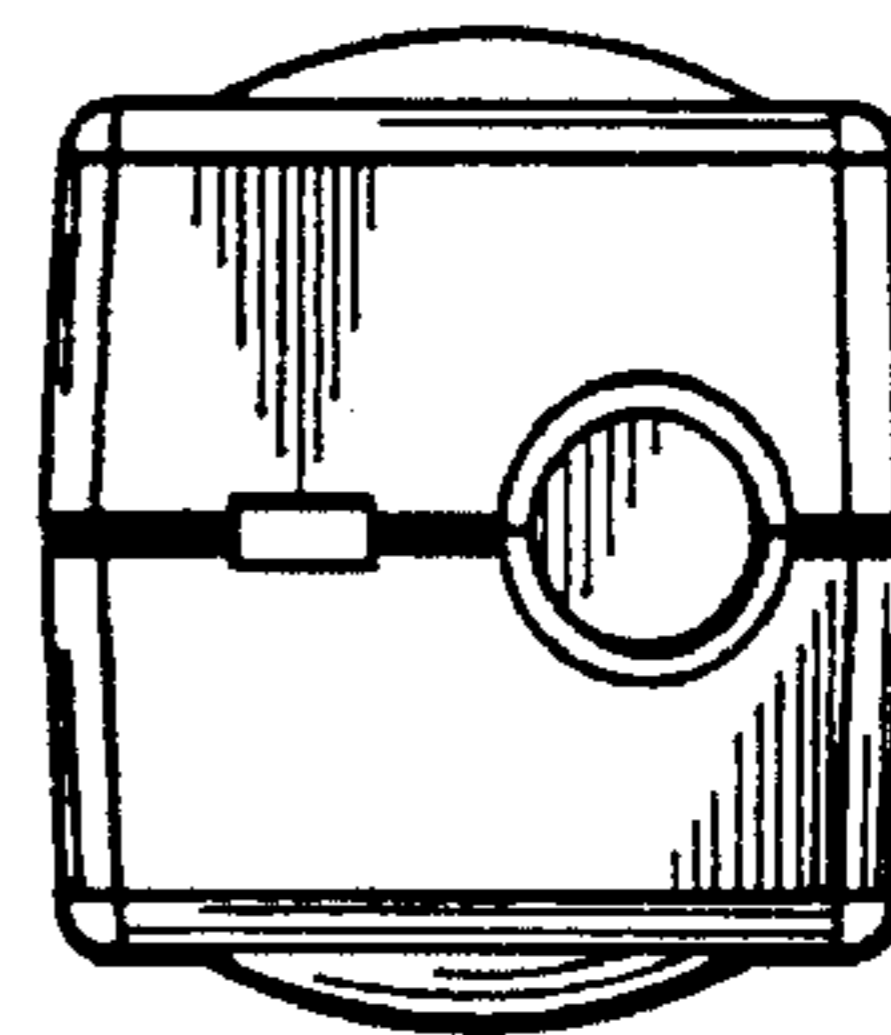


FIG. 6.

