



US00D374425S

United States Patent [19] Crane

[11] Patent Number: **Des. 374,425**

[45] Date of Patent: ****Oct. 8, 1996**

[54] **MOBIL BATTERY CHARGER**

[76] Inventor: **Harold E. Crane**, 3104 Portland Rd.,
Newberg, Oreg. 97132

[**] Term: **14 Years**

[21] Appl. No.: **44,492**

[22] Filed: **Sep. 25, 1995**

[52] U.S. Cl. **D13/107**

[58] Field of Search **D13/107, 108;**
D14/138, 191, 240, 251, 253; 320/2, 3,
4, 15

[56] **References Cited**

U.S. PATENT DOCUMENTS

- D. 280,317 8/1985 Boyd et al. D13/107 X
- D. 328,055 7/1992 Tien D13/107

Primary Examiner—Joel Sincavage
Attorney, Agent, or Firm—Harpman & Harpman

[57] **CLAIM**

The ornamental design for a mobil battery charger, as shown and described.

DESCRIPTION

FIG. 1 is a front, top and side perspective view of the mobil battery charger embodying the design of the present invention;

FIG. 2 is a side elevational view thereof, the opposite side elevational view being identical thereto;

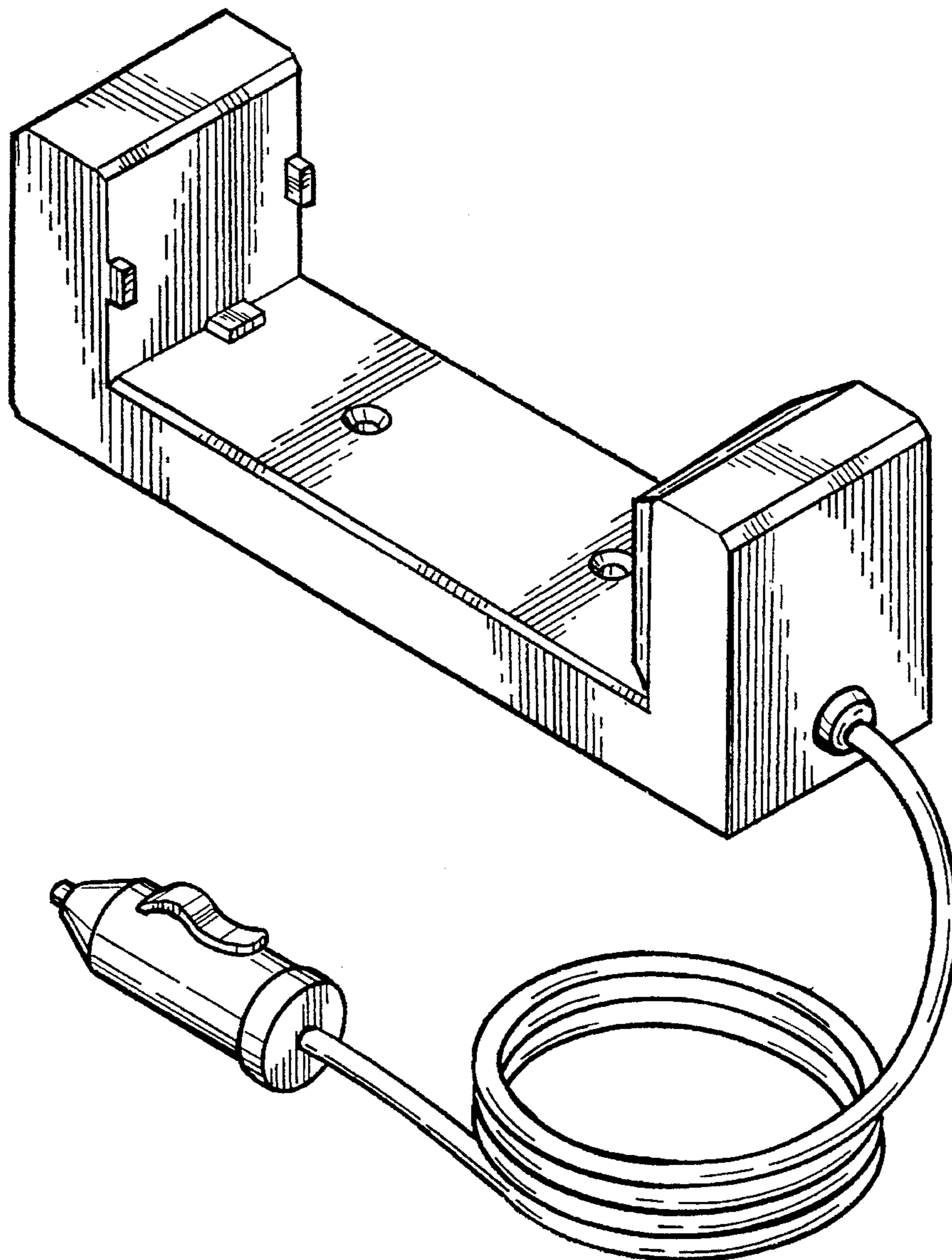
FIG. 3 is a front elevational view thereof;

FIG. 4 is a rear elevational view thereof;

FIG. 5 is a top plan view thereof; and,

FIG. 6 is a bottom plan view thereof.

1 Claim, 4 Drawing Sheets



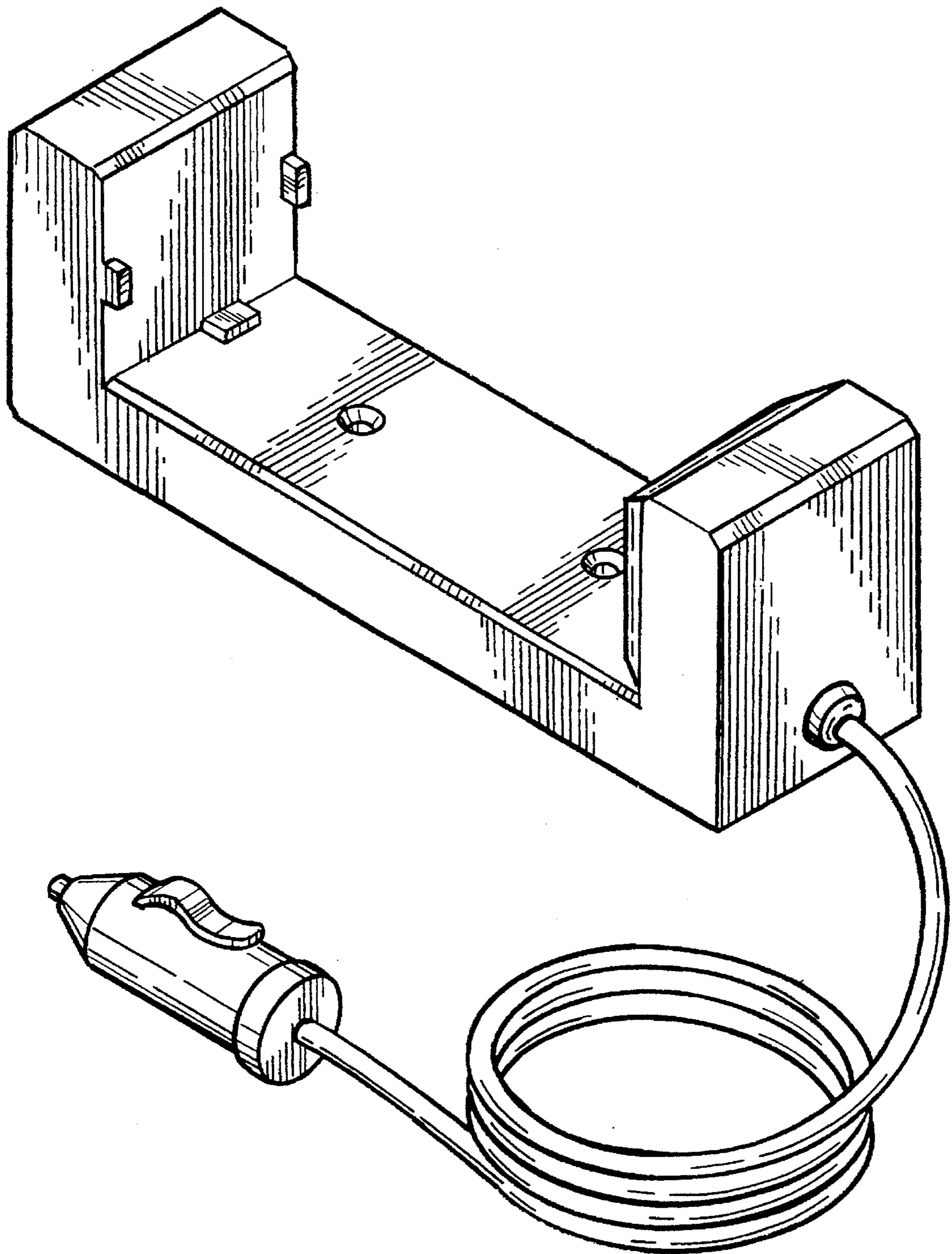


FIG. 1

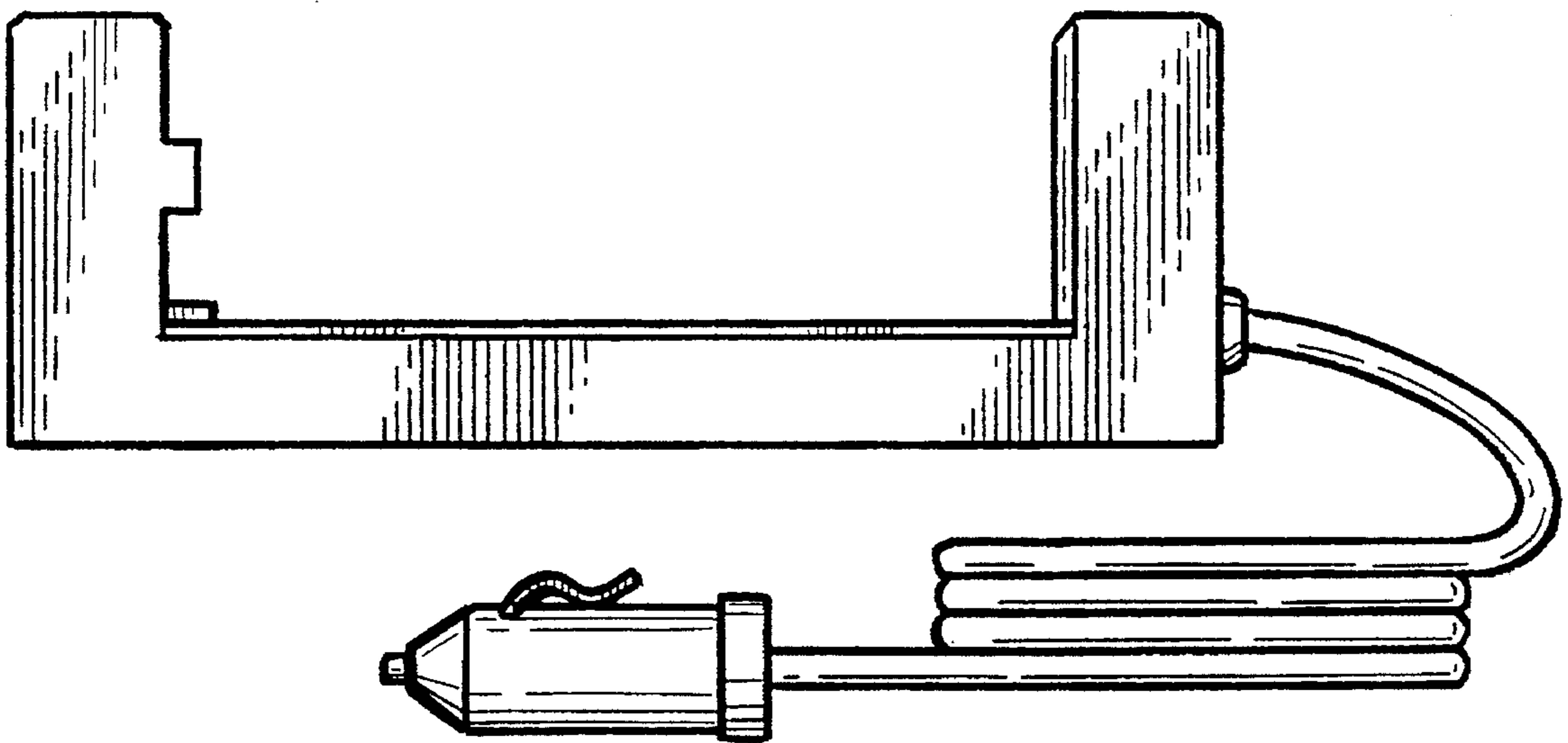


FIG. 2

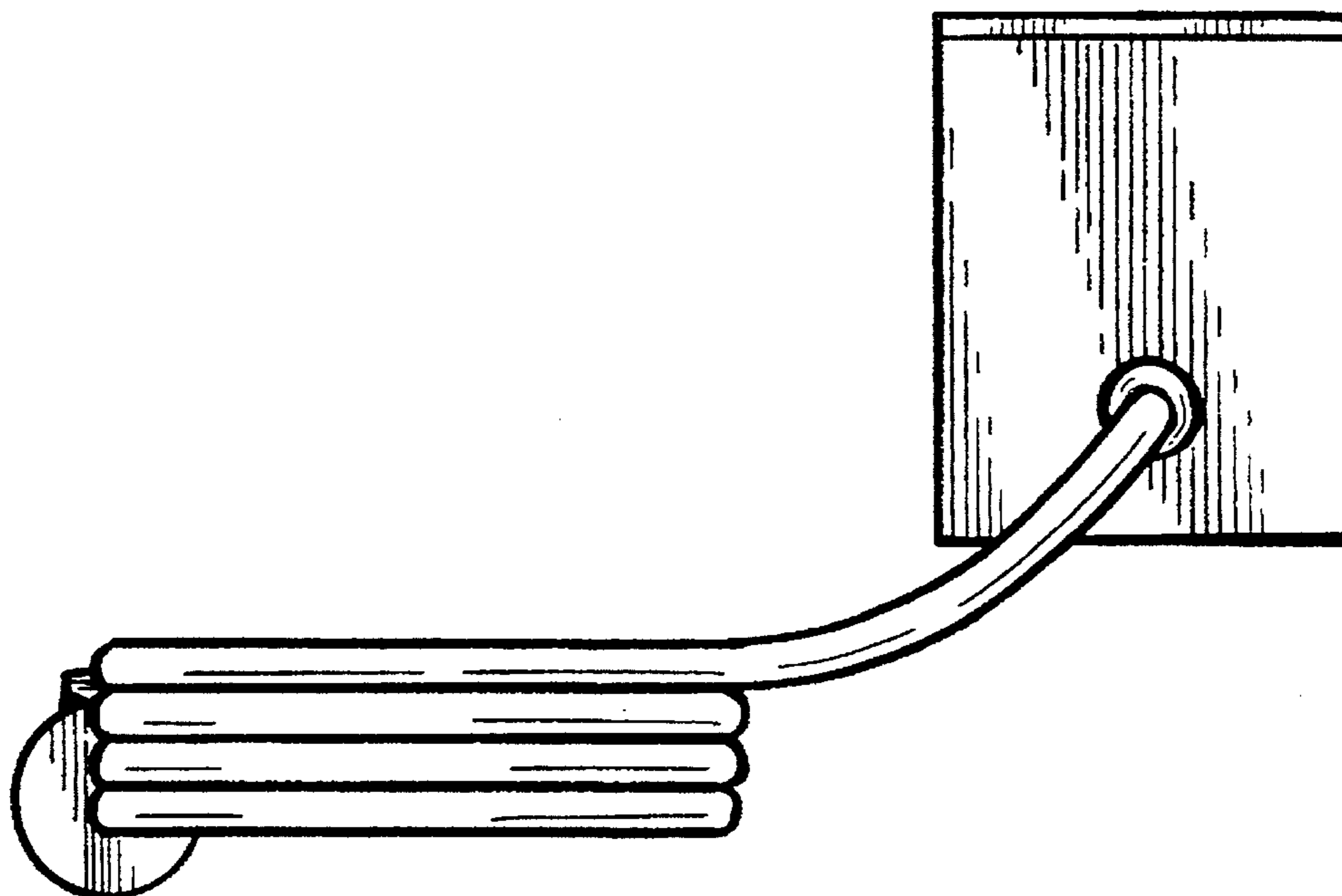


FIG. 3

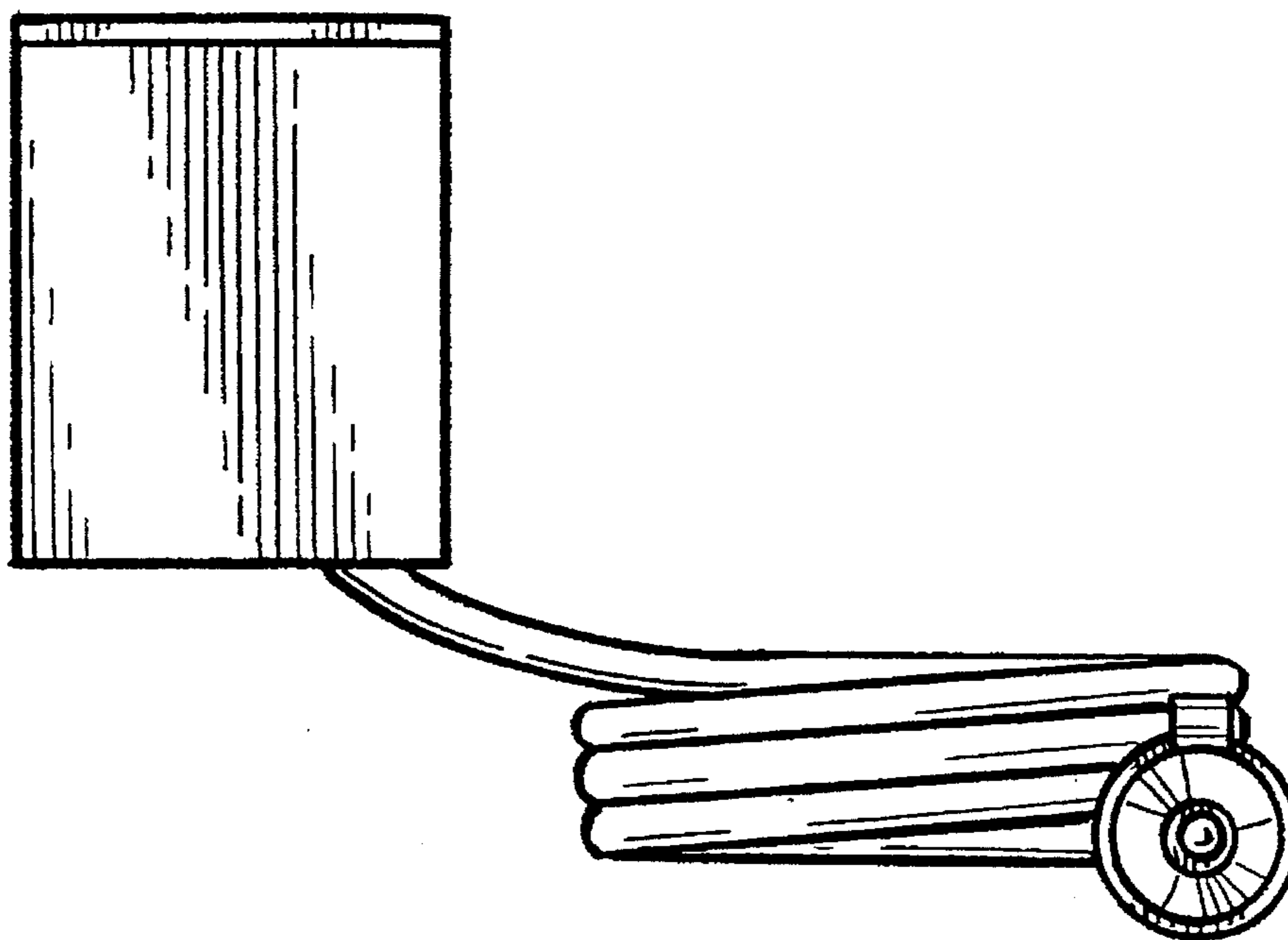


FIG. 4

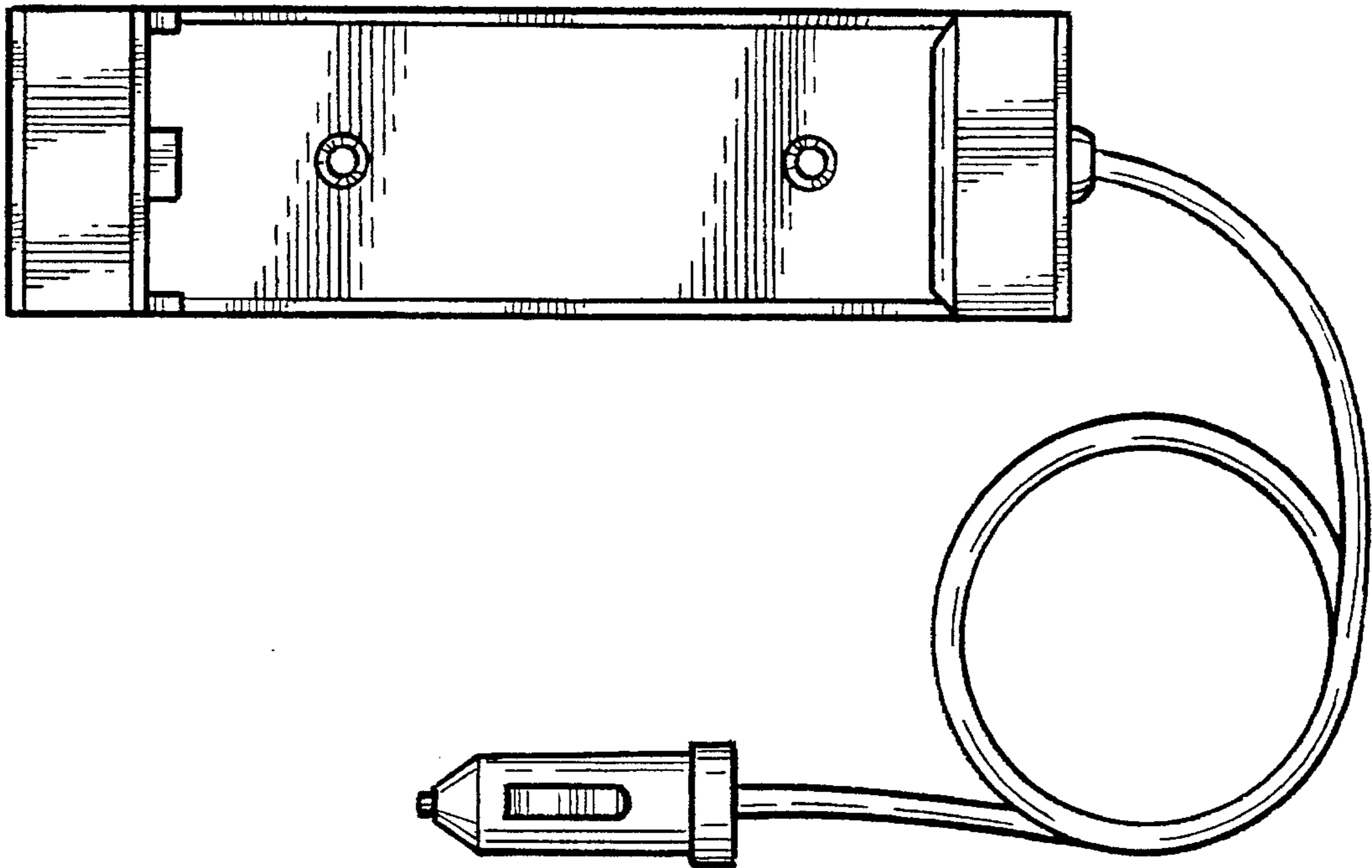


FIG. 5

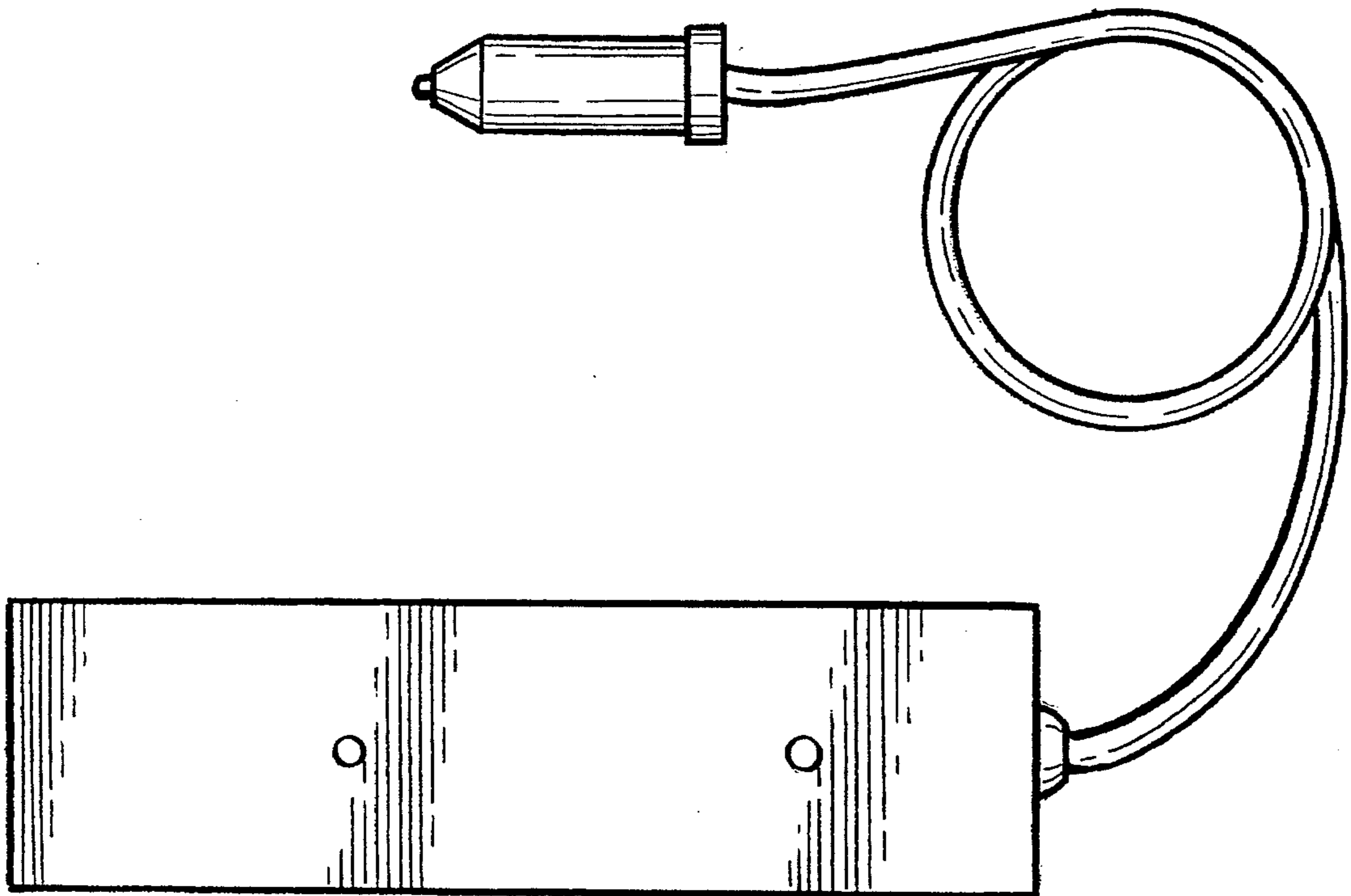


FIG. 6