



US00D374423S

United States Patent [19]

Downey, II et al.

[11] Patent Number: **Des. 374,423**

[45] Date of Patent: ****Oct. 8, 1996**

[54] **A.T.V. STORAGE COMPARTMENT**

5,025,964 6/1991 Phirippidis 296/37.1
5,395,019 3/1995 Christensen 296/37.6

[76] Inventors: **Robert G. Downey, II; Bobby G. Downey**, both of Rte. 2 Box 271A, Section, Ala. 35771

Primary Examiner—Melody N. Brown
Attorney, Agent, or Firm—Harpman & Harpman

[**] Term: **14 Years**

[57] **CLAIM**

[21] Appl. No.: **40,593**

The ornamental design for an A.T.V. storage compartment, as shown and described.

[22] Filed: **Jun. 22, 1995**

DESCRIPTION

[52] U.S. Cl. **D12/423**

[58] Field of Search D12/423, 424;
D3/274, 275, 294, 905; D9/341, 420-424;
206/45.31, 45.34; 224/275, 541-543, 929

FIG. 1 is a front, top and side perspective view of the A.T.V. storage compartment embodying the design of the present invention in open position;

FIG. 2 is a front elevational view in closed position;

FIG. 3 is a rear elevational view thereof;

FIG. 4 is a side elevational view thereof, the opposite side elevational view being identical thereof;

FIG. 5 is a top plan view thereof; and,

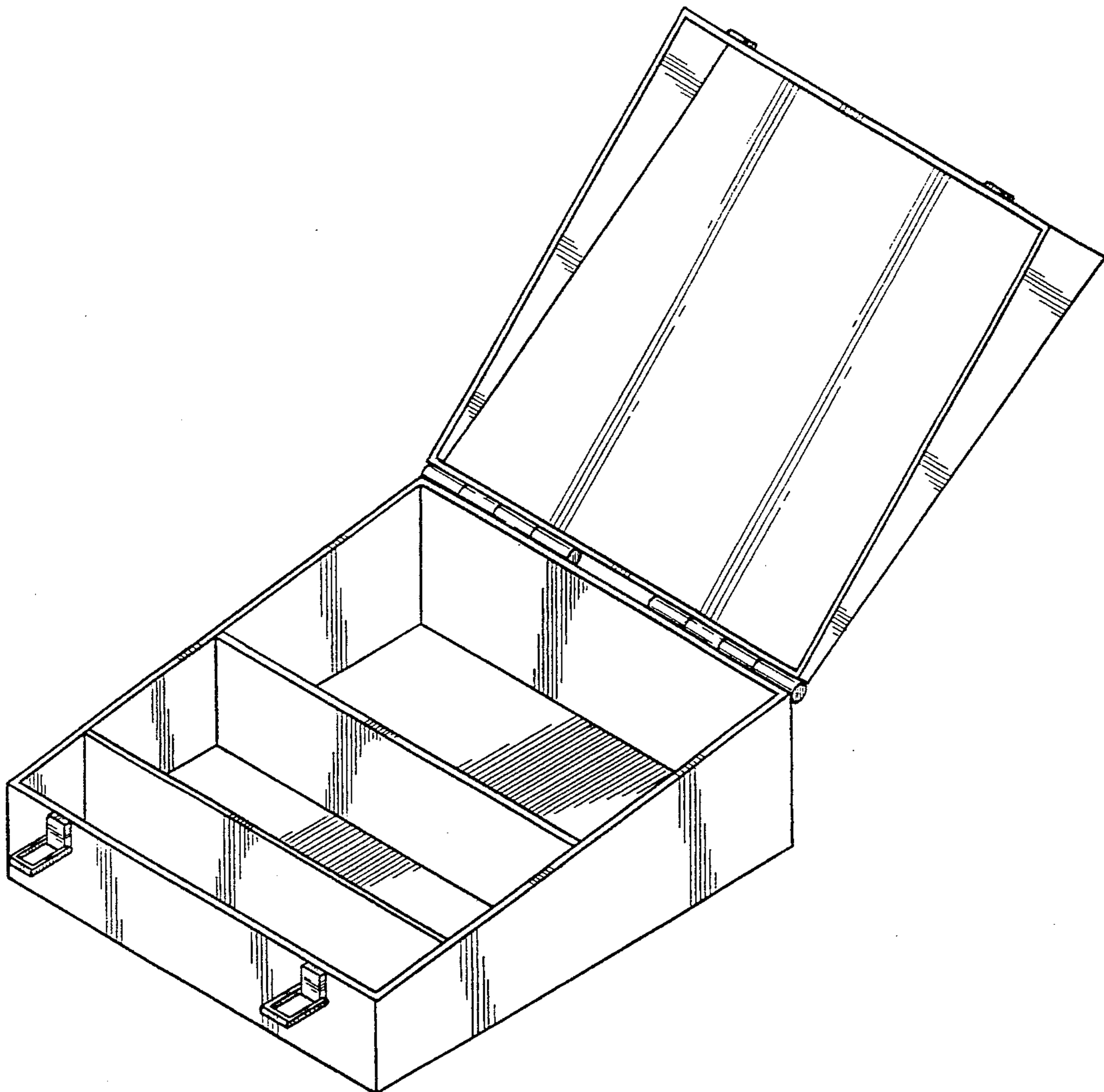
FIG. 6 is a bottom plan view thereof.

[56] **References Cited**

U.S. PATENT DOCUMENTS

D. 346,144	4/1994	Katz	D12/409
4,103,810	8/1978	Hickey	224/328
4,283,083	8/1981	Johnson	296/37.1
4,728,017	3/1988	Mullican	296/37.6
4,938,398	7/1990	Hallsen	296/37.6

1 Claim, 3 Drawing Sheets



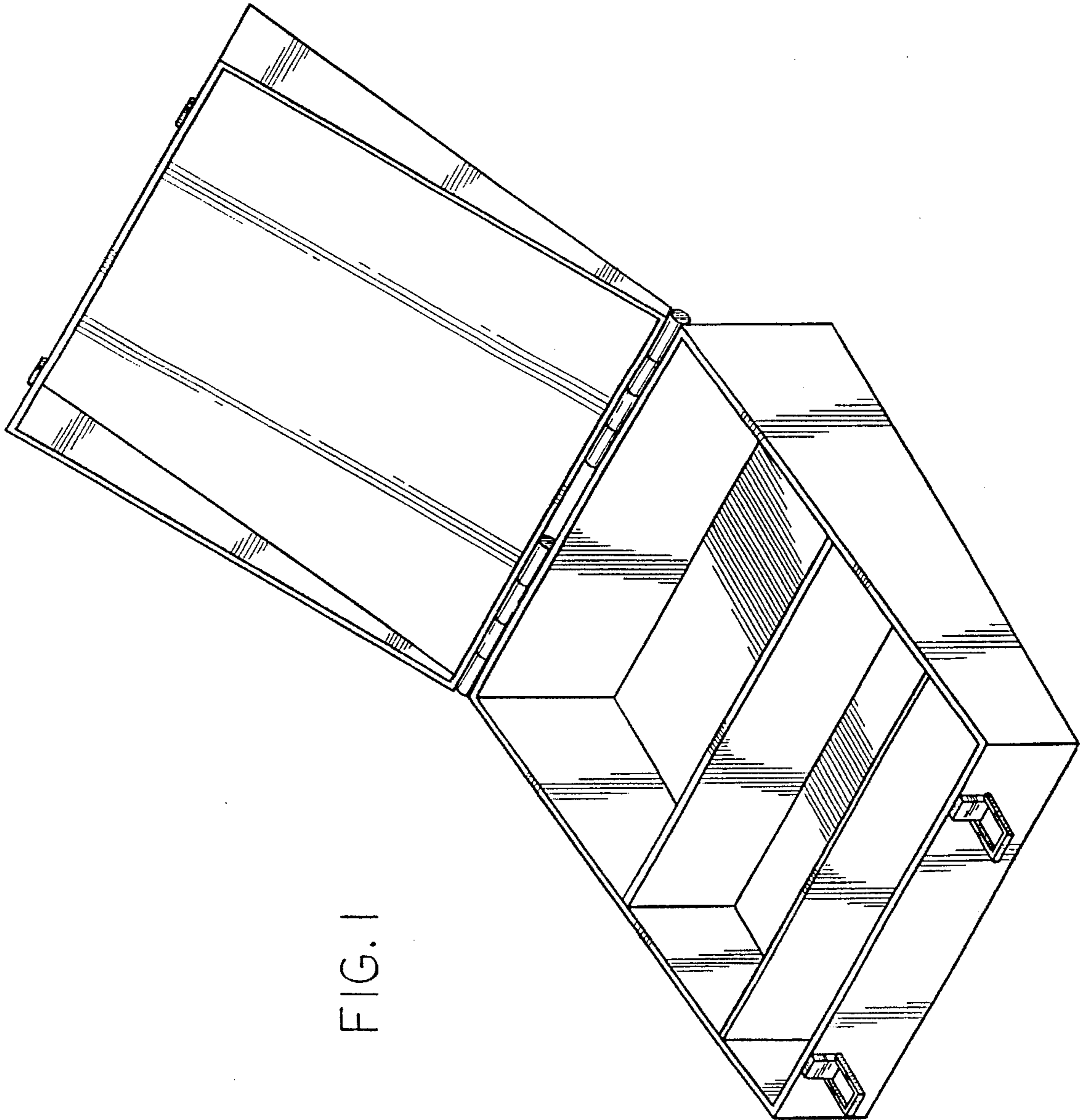


FIG. 1

FIG. 2

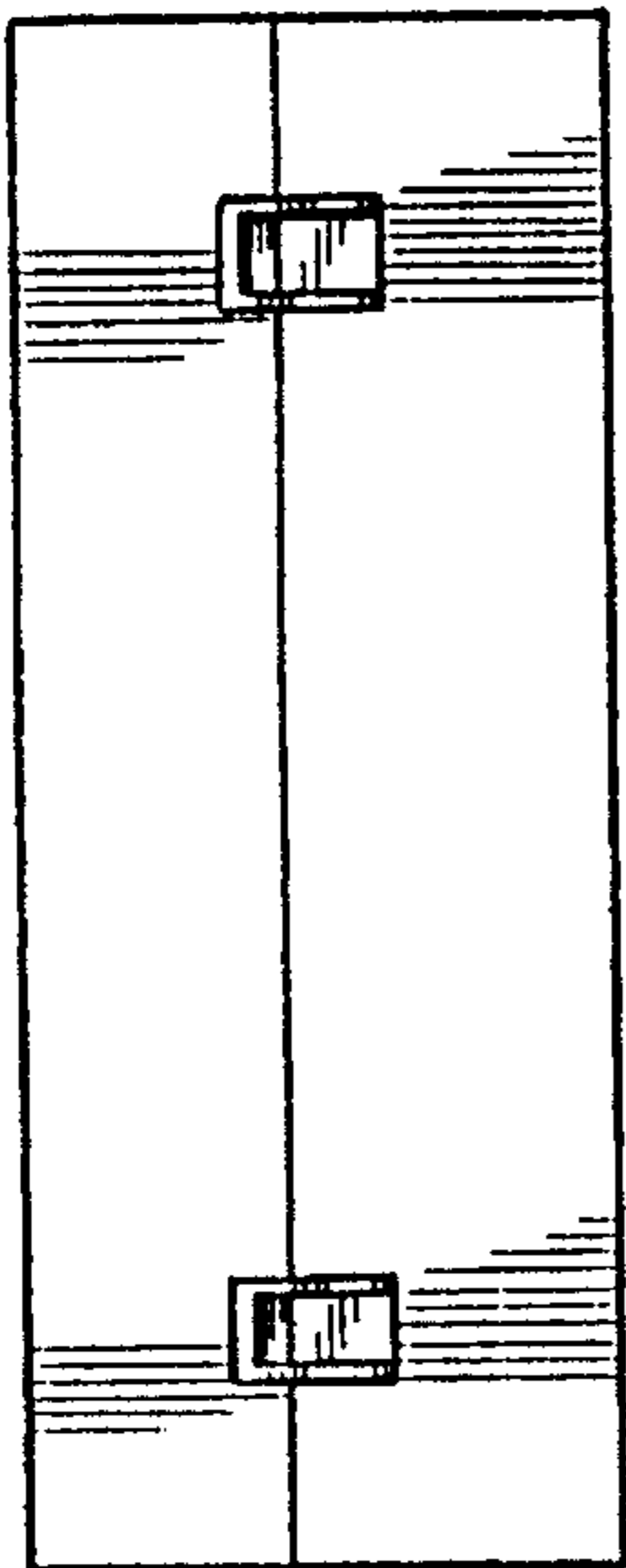


FIG. 3

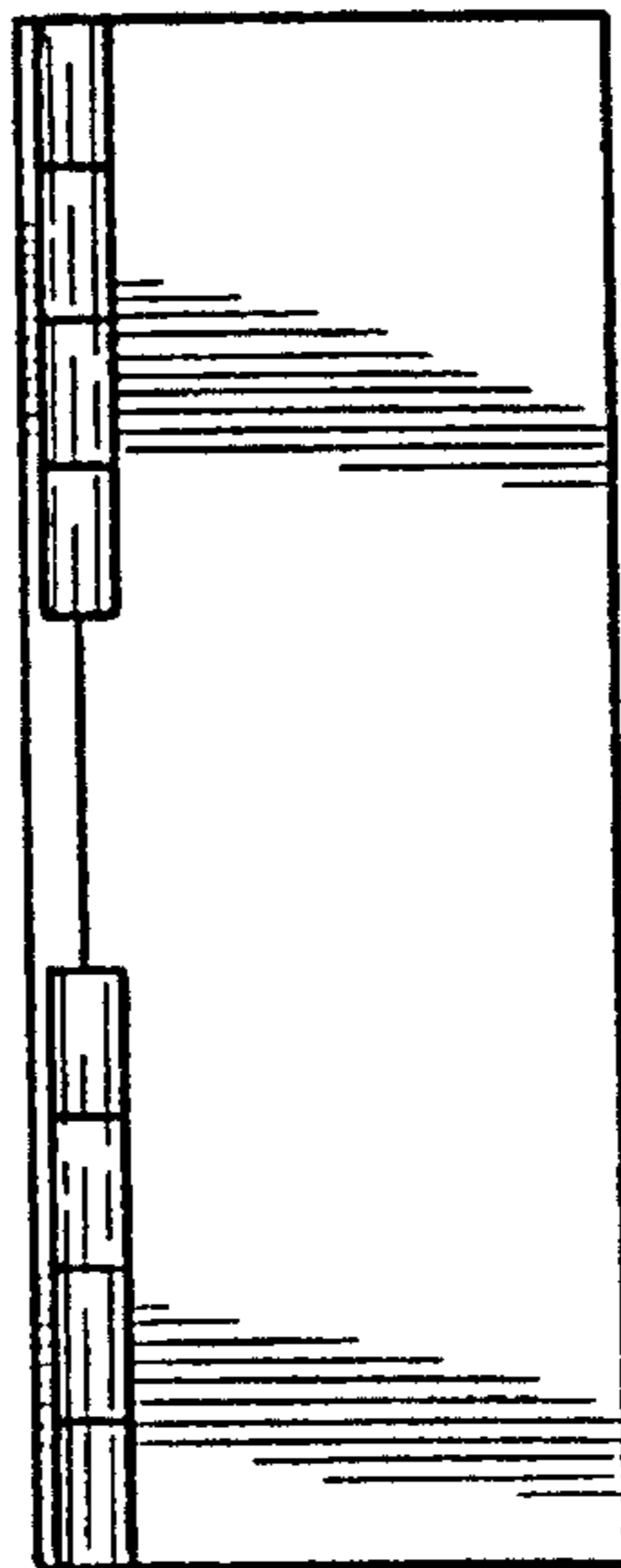
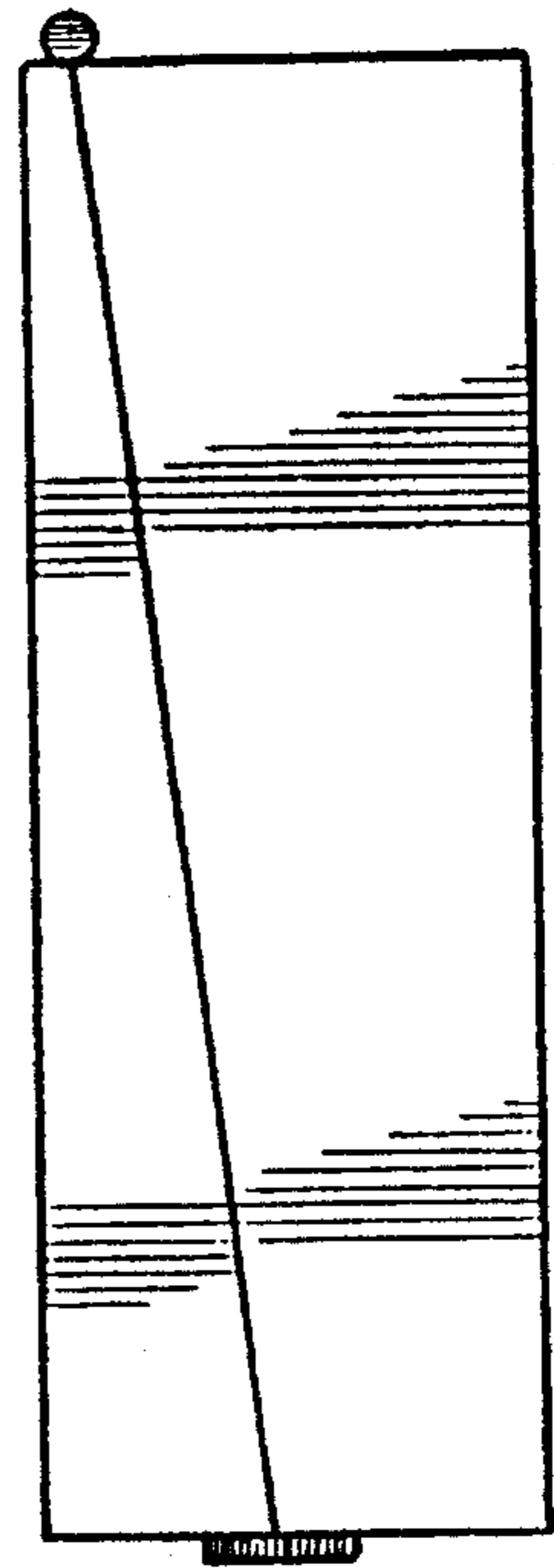


FIG. 4



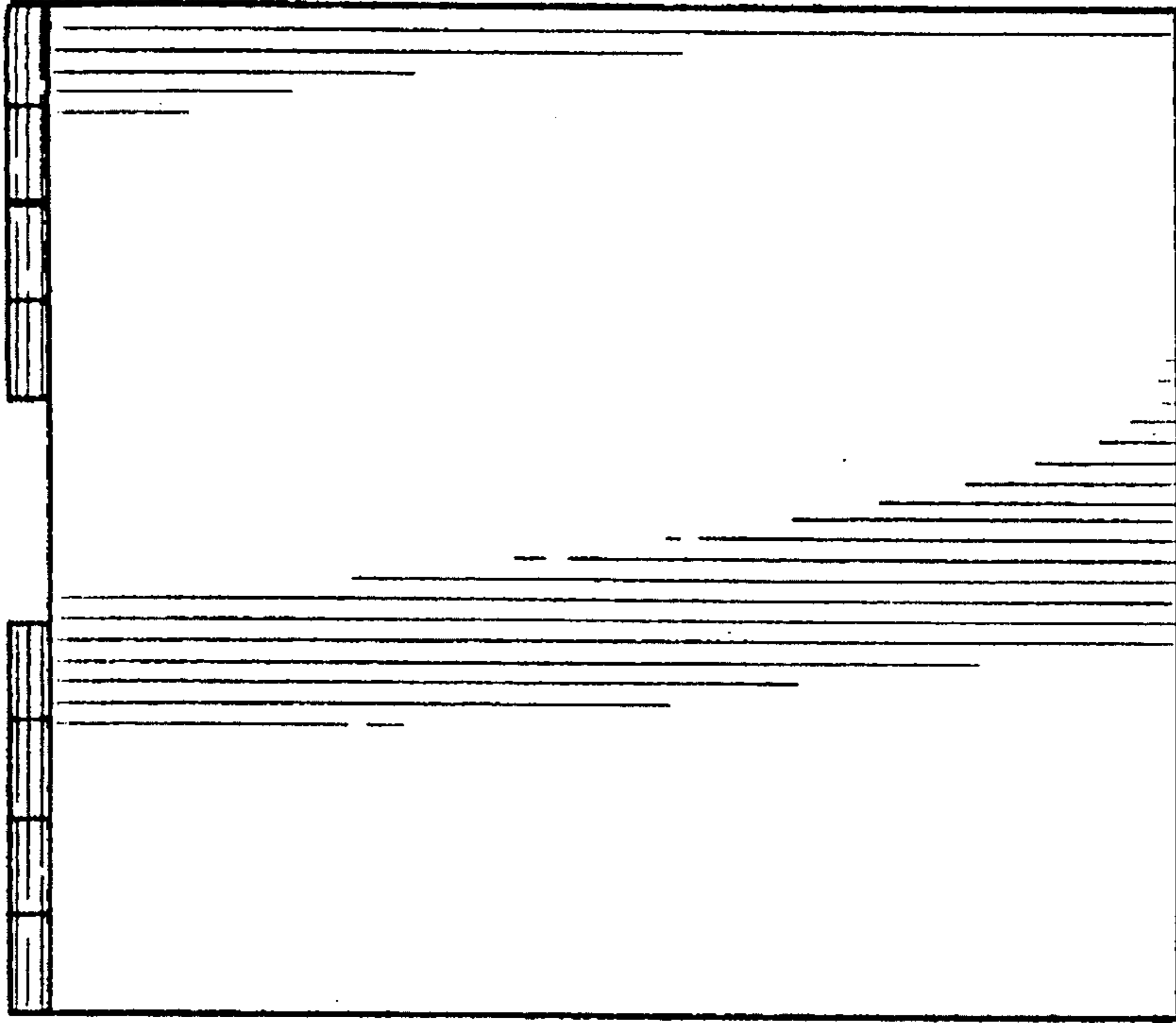


FIG. 6

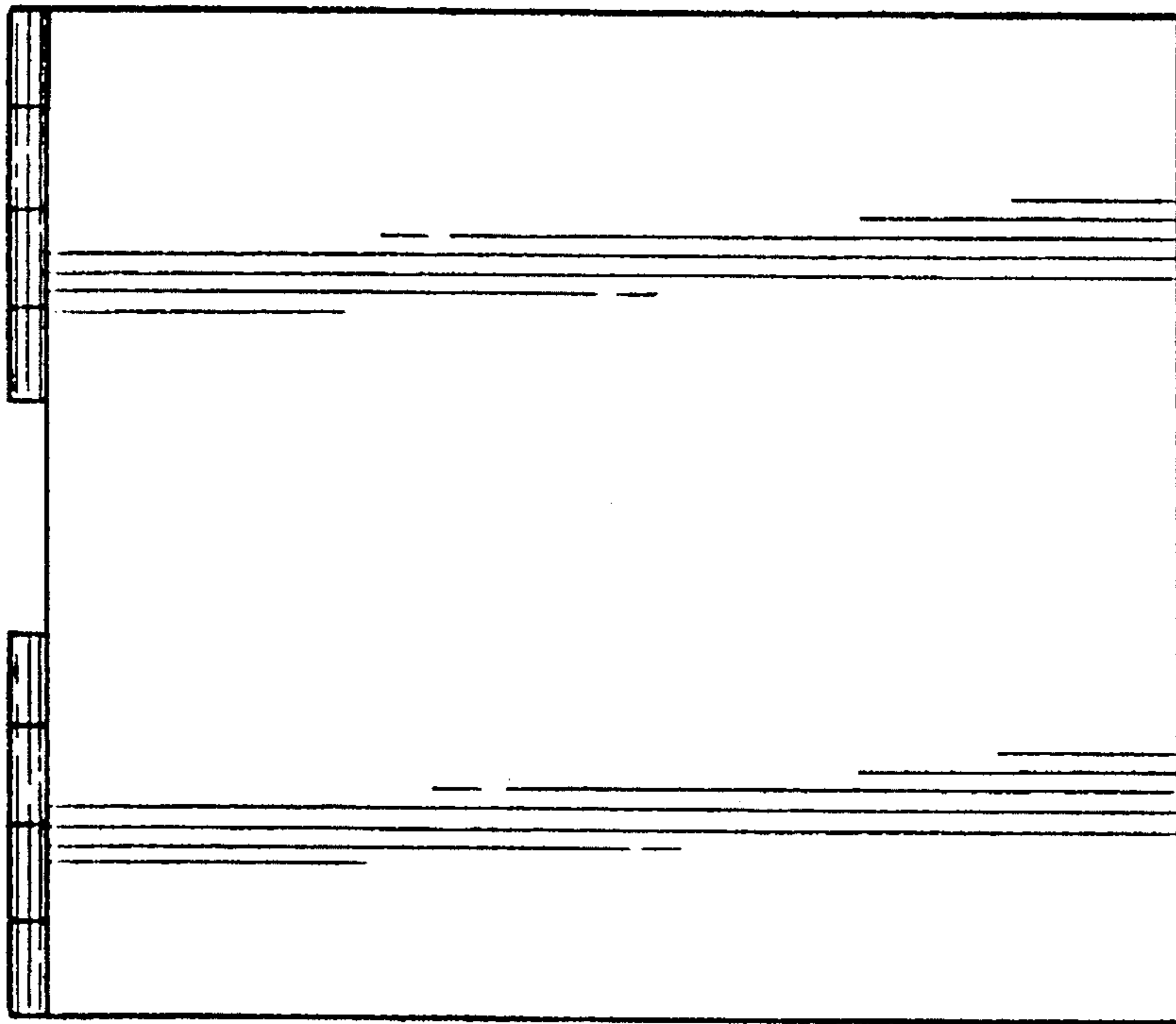


FIG. 5