



US00D374422S

United States Patent [19]

Gogan et al.

[11] Patent Number: **Des. 374,422**

[45] Date of Patent: ****Oct. 8, 1996**

[54] **MOTORCYCLE LUGGAGE CARRIER**

4,993,731 2/1991 Fuller 280/202

[75] Inventors: **Donald M. Gogan**, Brookfield;
Thomas G. Parsons, Dousman, both of Wis.

[73] Assignee: **Harley-Davidson Motor Company**, Milwaukee, Wis.

[**] Term: **14 Years**

[21] Appl. No.: **41,638**

[22] Filed: **Jul. 20, 1995**

[52] U.S. Cl. **D12/407**

[58] Field of Search D12/407; 224/30 A, 224/30 B, 32 A, 32 R, 35, 37, 39

[56] **References Cited**

U.S. PATENT DOCUMENTS

D. 208,895	10/1967	Lahte	D12/407
D. 233,517	11/1974	Gerven	D12/407
D. 255,561	6/1980	Pold et al.	D12/407
D. 271,389	11/1983	Turkington et al.	D12/407
4,032,189	6/1977	Benavente et al.	297/352
4,174,796	11/1979	Nakamura	224/39
4,349,138	9/1982	Bruhn	224/39

OTHER PUBLICATIONS

Custom Chrome 1994 Catalog, pp. 623-624.
V-Twin 1993 Catalog, p. 511.
Harley-Davidson 1992 Accessories Catalog.
Harley-Davidson 1993 Accessories Catalog, p. 20.
Harley-Davidson 1995 Parts and Accessories Catalog, pp. 41, 63, 73 and 82.

Primary Examiner—Melody N. Brown
Attorney, Agent, or Firm—Michael, Best & Friedrich

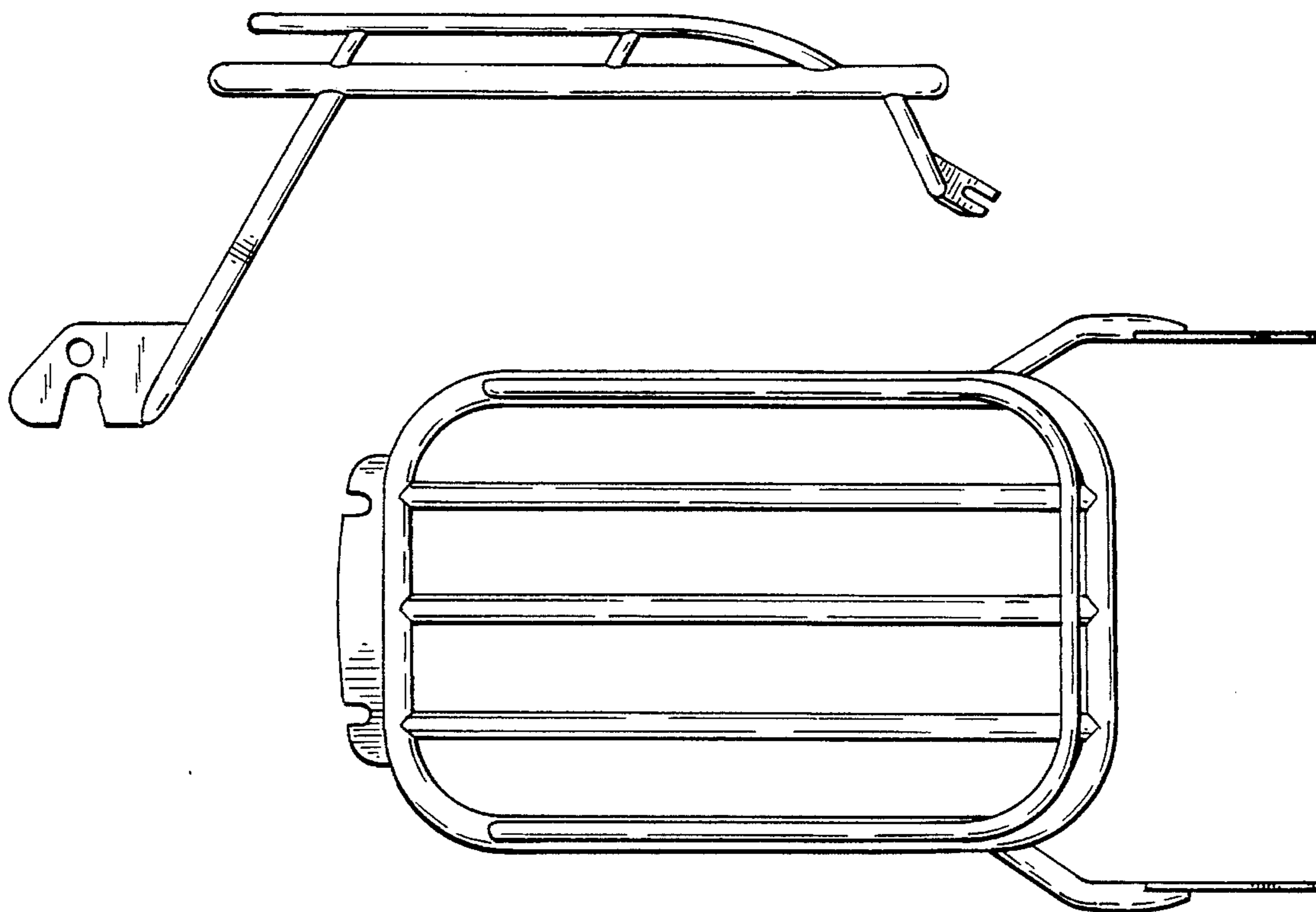
[57] **CLAIM**

The ornamental design for a motorcycle luggage carrier, as shown and described.

DESCRIPTION

FIG. 1 is a right side view of a motorcycle luggage carrier according to our invention;
FIG. 2 is a left side view thereof;
FIG. 3 is a top view thereof;
FIG. 4 is a bottom view thereof;
FIG. 5 is a front view thereof; and,
FIG. 6 is a rear view thereof.

1 Claim, 2 Drawing Sheets



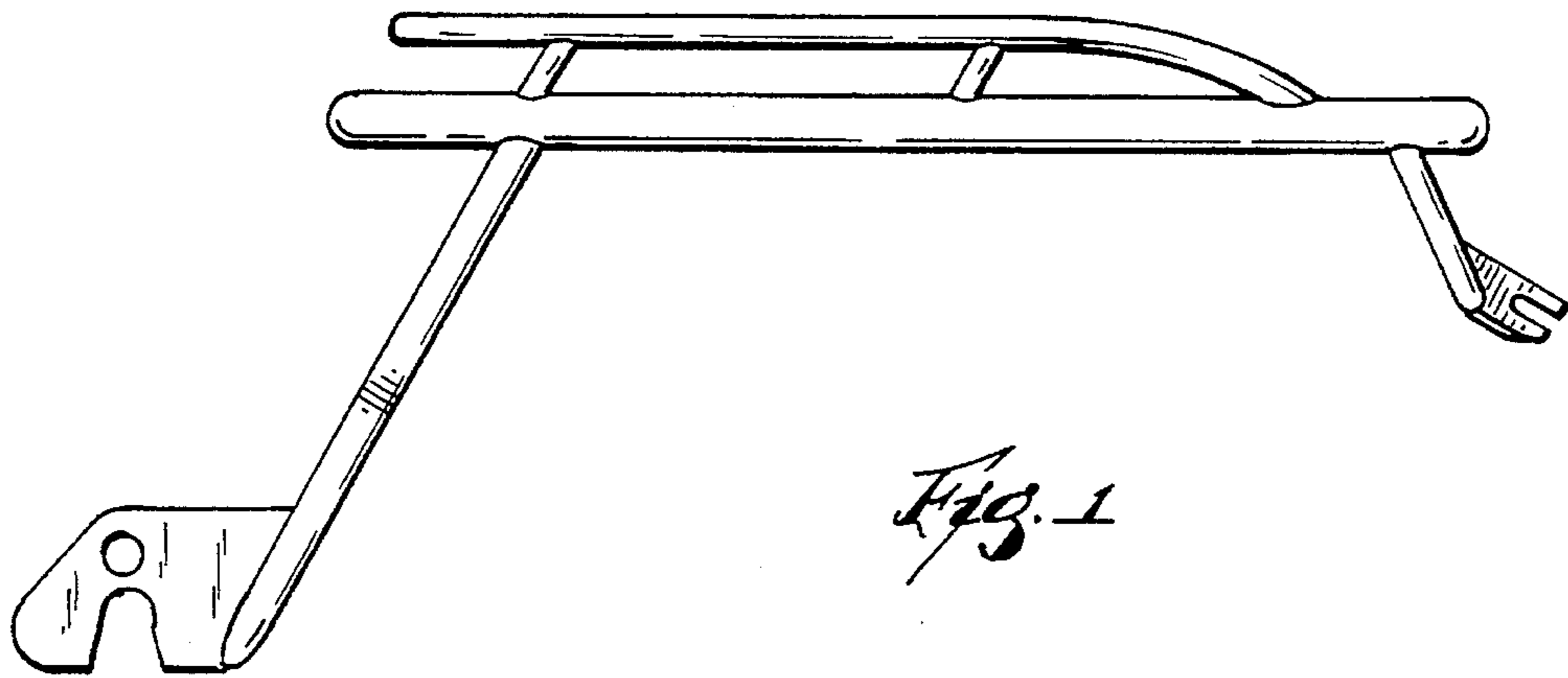


Fig. 1

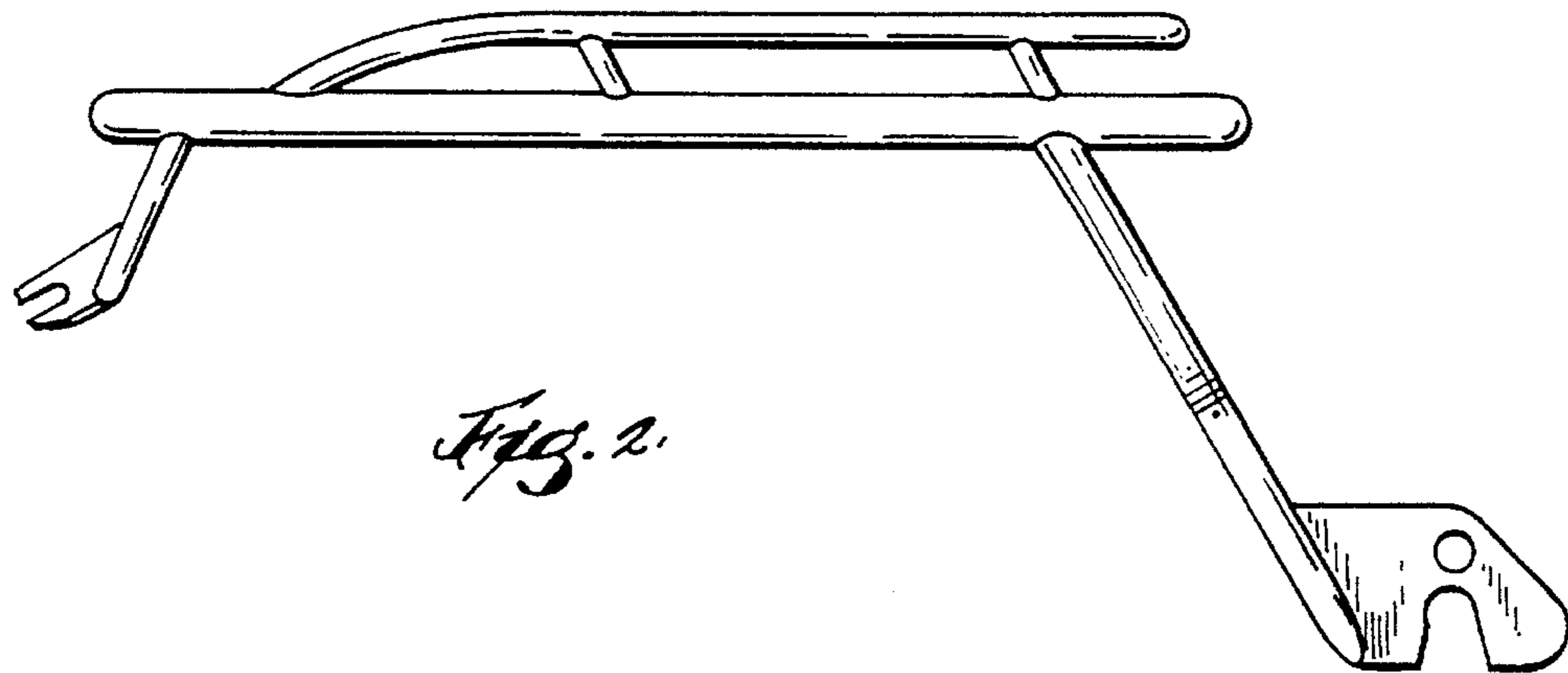


Fig. 2

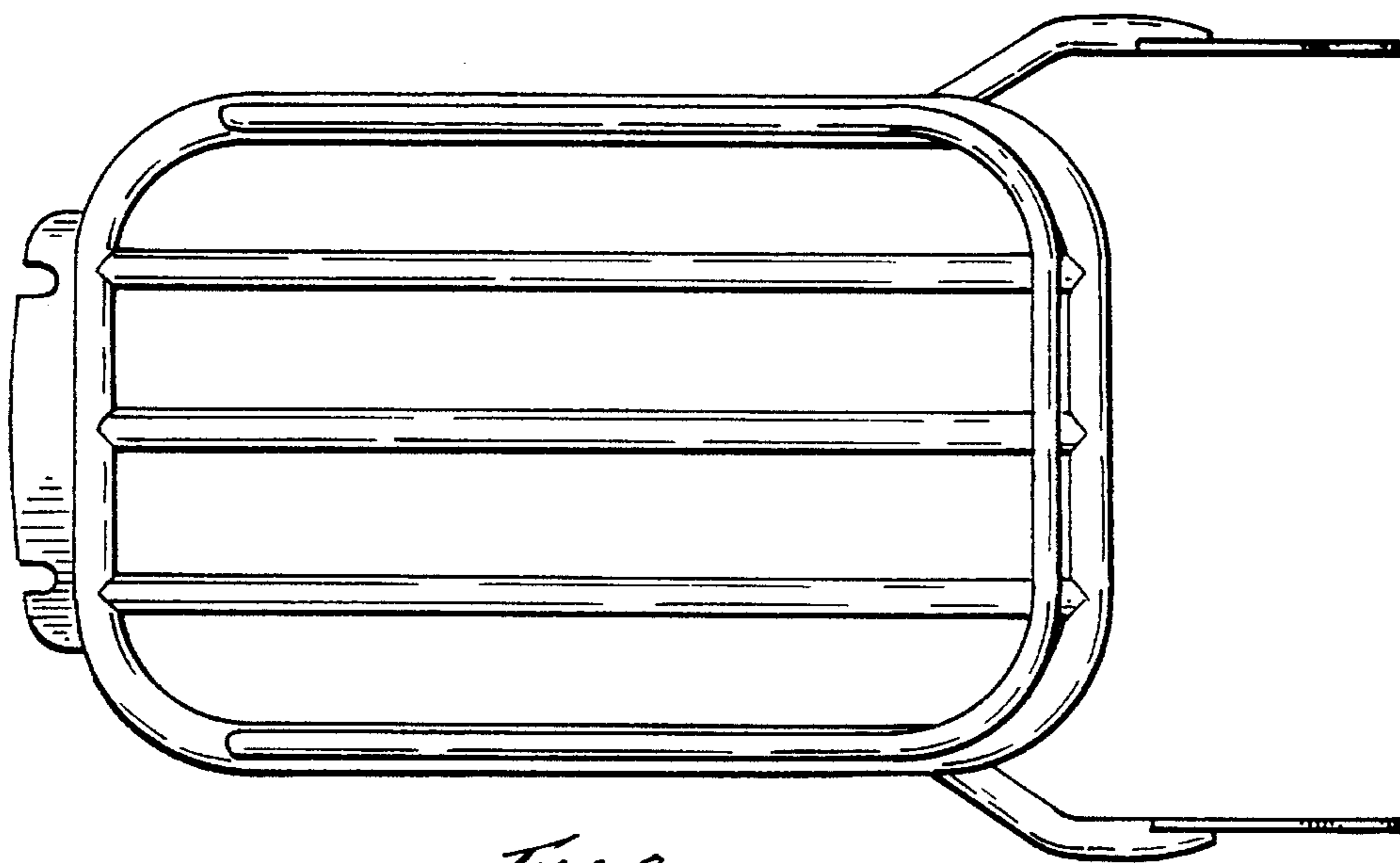


Fig. 3

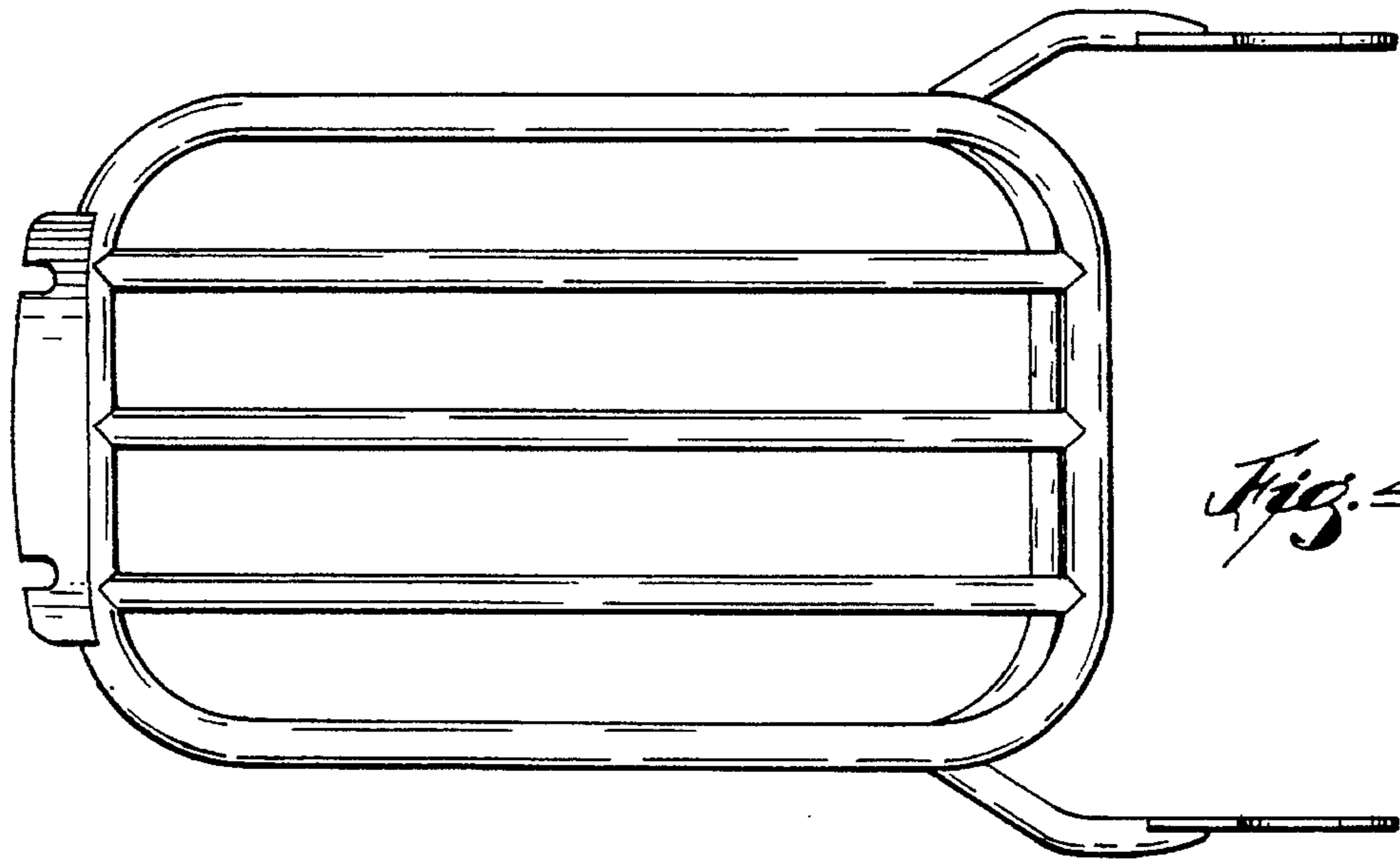


Fig. 4

Fig. 5

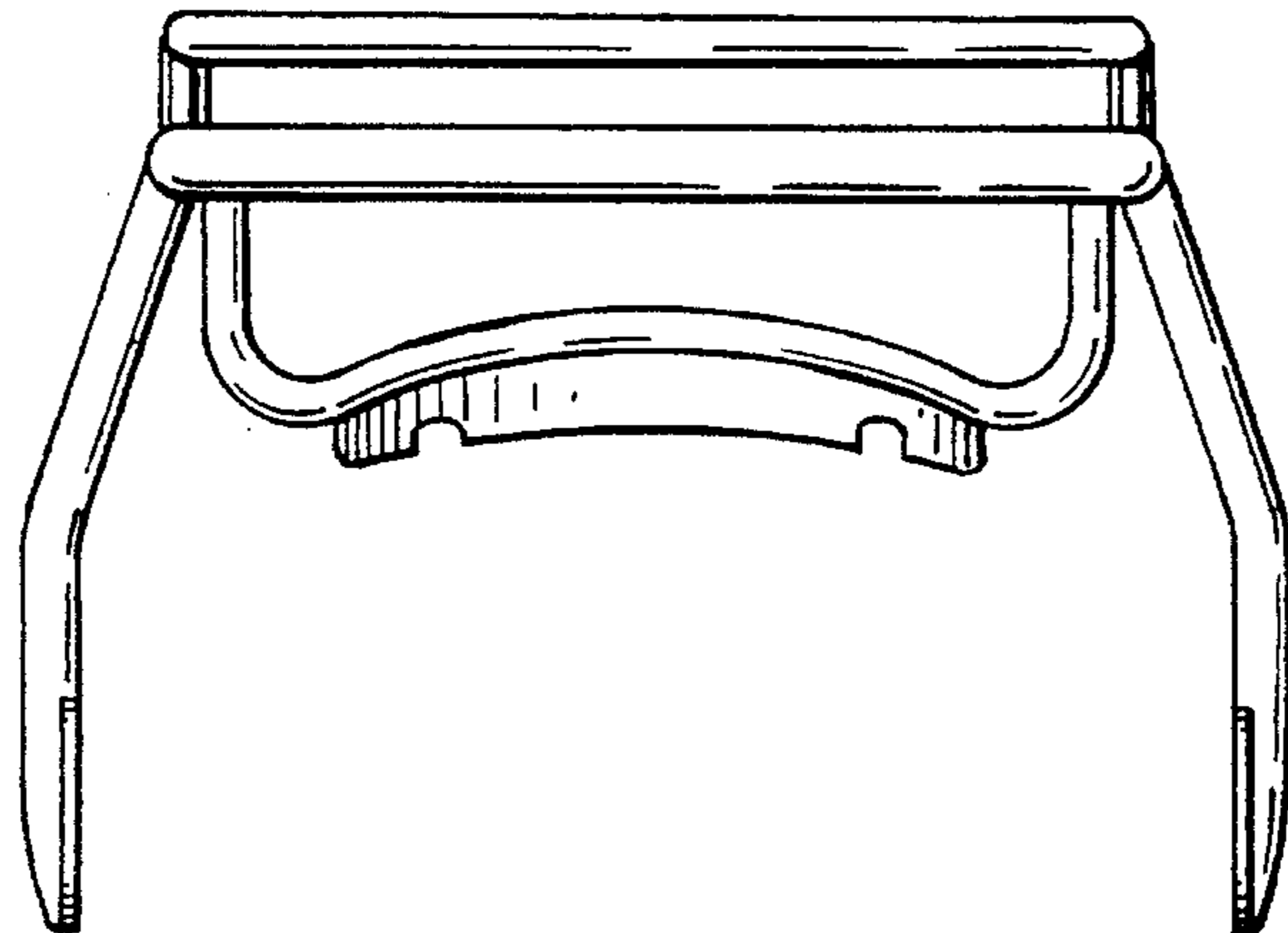
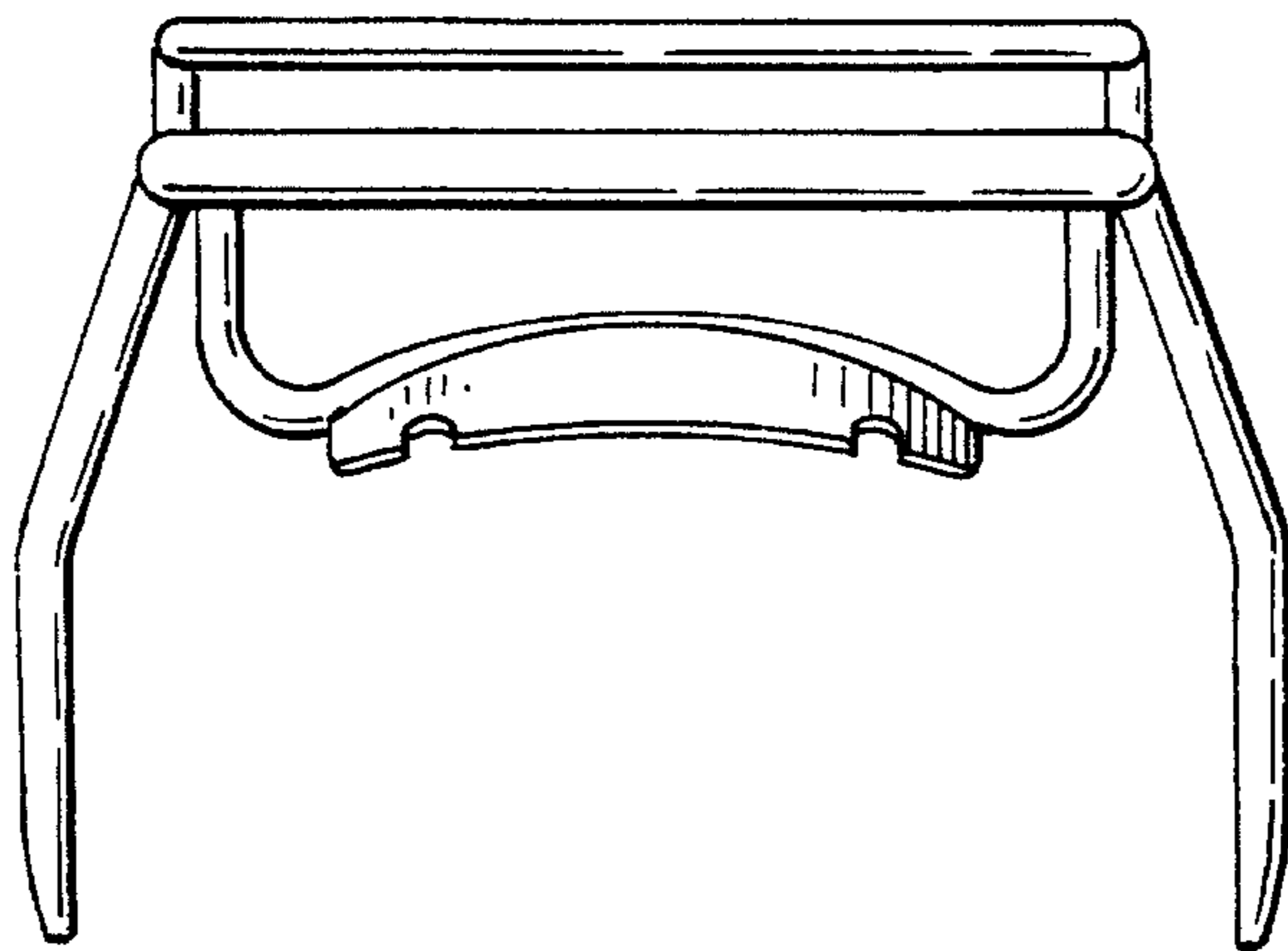


Fig. 6