



US00D374418S

United States Patent [19] Griffin

[11] **Patent Number: Des. 374,418**
[45] **Date of Patent: **Oct. 8, 1996**

[54] **AIR FAIRING AND TRIM TAB UNIT**

[75] Inventor: **Timothy A. Griffin**, Scappoose, Oreg.

[73] Assignee: **Freightliner Corporation**, Portland, Oreg.

[**] Term: **14 Years**

[21] Appl. No.: **40,750**

[22] Filed: **Jun. 26, 1995**

[52] **U.S. Cl.** **D12/181**

[58] **Field of Search** D12/181; 296/91, 296/180.1, 180.2, 180.3, 180.4, 180.5; 105/1.2

[56] **References Cited**

U.S. PATENT DOCUMENTS

D. 249,783	10/1978	Herpel	D12/181
D. 296,775	7/1988	Hatch et al.	D12/181
D. 314,163	1/1991	Harris et al.	D12/181
D. 332,769	1/1993	West	D12/181
D. 340,025	10/1993	Brownlie et al.	D12/181
D. 343,819	2/1994	Meryman et al.	D12/181
3,425,740	2/1969	Vaughn	296/1
4,056,279	11/1977	Dorsch	296/1
4,087,124	5/1978	Wiley, Jr.	296/1
4,102,548	7/1978	Kangas	296/1
4,257,643	3/1981	Choulet	296/1
4,607,874	8/1986	Peairs	296/1
4,784,424	11/1988	Wiley, Jr.	296/180
4,883,307	11/1989	Hacker et al.	296/180
4,919,472	4/1990	Wiley, Jr.	296/180
5,174,626	12/1992	Wiley, Jr. et al.	296/180

OTHER PUBLICATIONS

Automotive Industries, vol. 167, Oct. 1987; Ford's Aero Entry-Truck, Top Half of p. 114.
"Freightliner 120 Conventional" brochure, Freightliner Corporation, 1989.

"Freightliner Facts" brochure, Freightliner Corporation, 1988.

"Freightliner 1987 Standard Specifications" brochure, Freightliner Corporation, 1986.

"Freightliner and Mercedes-Benz Trucks: Two Great Names. One Great Company" brochure, Freightliner Corporation, 1986.

"The Switch to Freightliner" brochure, Freightliner Corporation, 1987.

Miscellaneous copies of photographs identified as Exhibits A-F, which represent air fairings manufactured by the assignee prior to Nov. 1989.

Primary Examiner—A. Hugo Word

Assistant Examiner—Lavone D. Tabor

Attorney, Agent, or Firm—Klarquist Sparkman Campbell Leigh & Winston, LLP

[57] **CLAIM**

The ornamental design for an air fairing and trim tab unit, as shown and described.

DESCRIPTION

FIG. 1 is a rear underside perspective view of the air fairing and trim tag unit showing the present invention;

FIG. 2 is a left side view of the air fairing and trim tab unit of FIG. 1. The right side view is a mirror image;

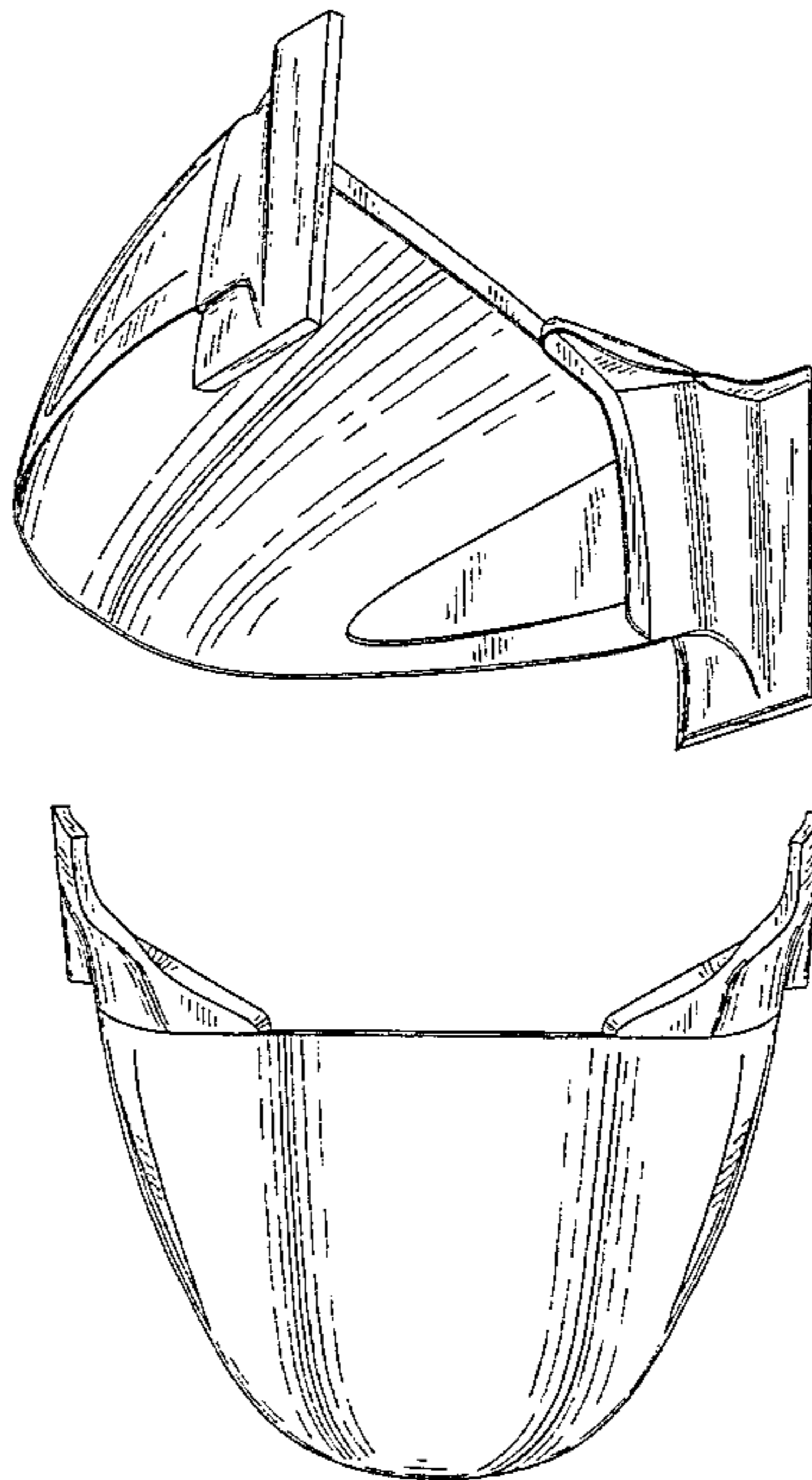
FIG. 3 is a top view of the air fairing and trim tab unit of FIG. 1;

FIG. 4 is a bottom view of the air fairing and trim tab unit of FIG. 1;

FIG. 5 is a front view of the air fairing and trim tab unit of FIG. 1; and,

FIG. 6 is a back view of the air fairing and trim tab unit of FIG. 1.

1 Claim, 3 Drawing Sheets



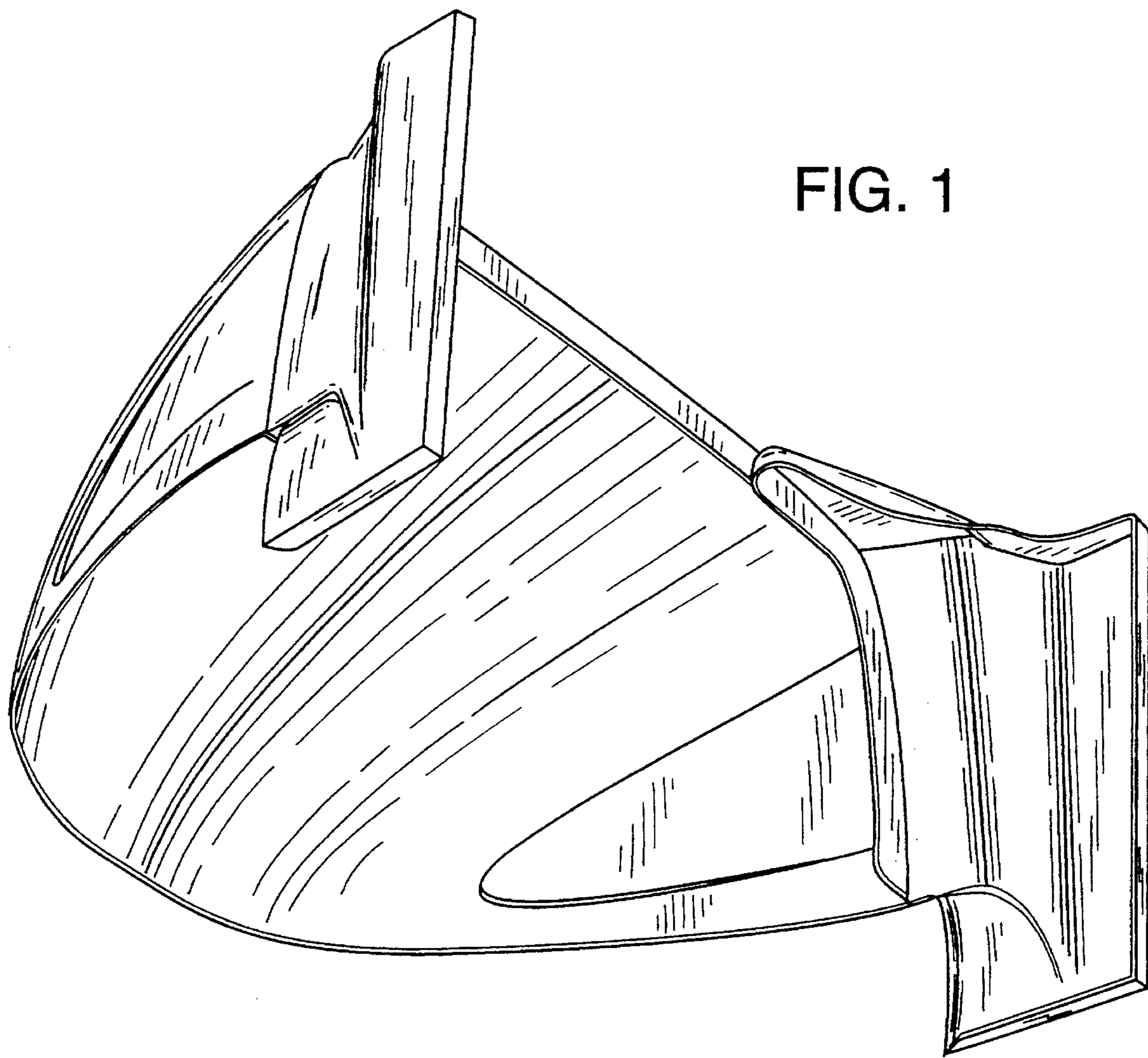


FIG. 1

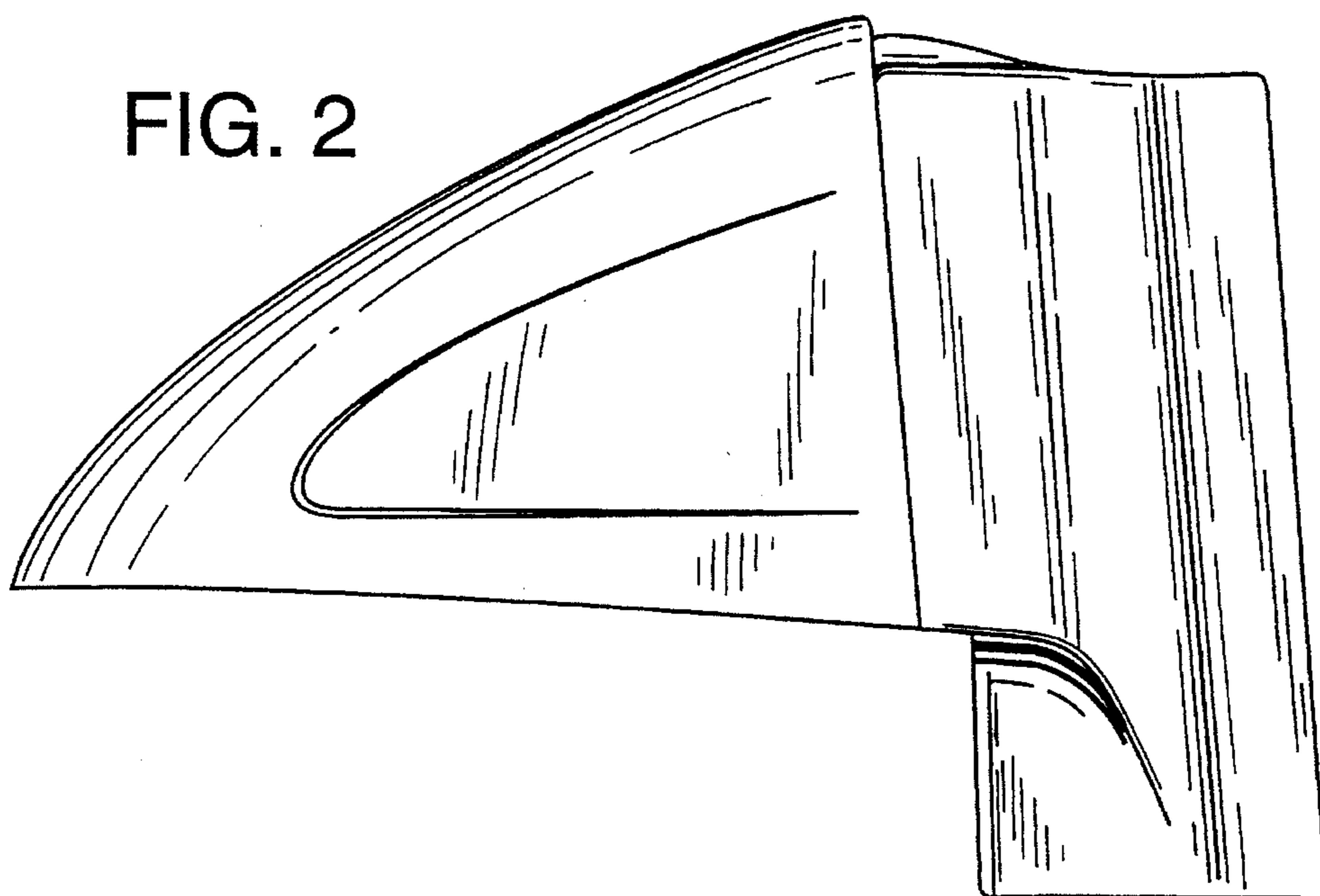


FIG. 2

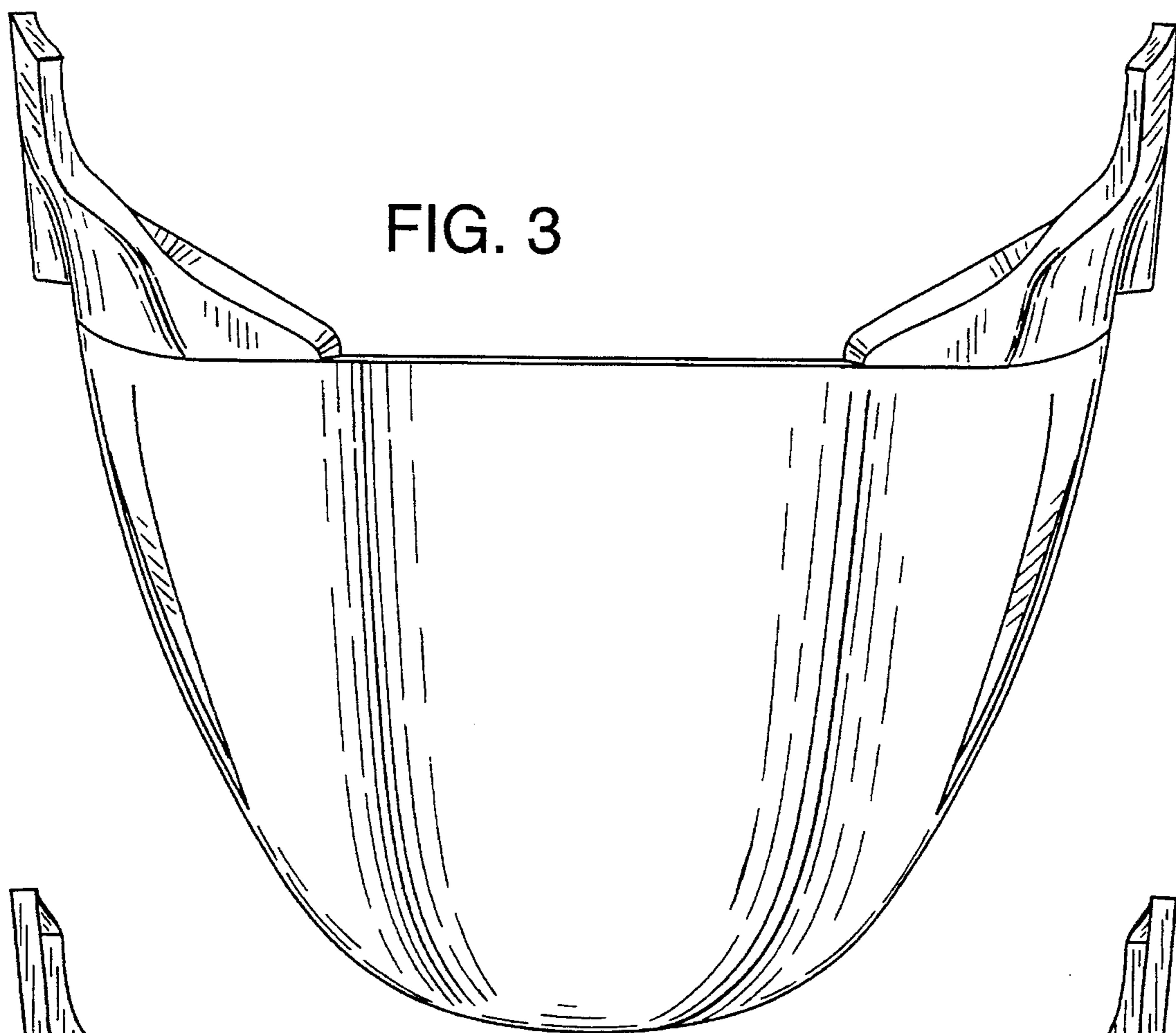


FIG. 3

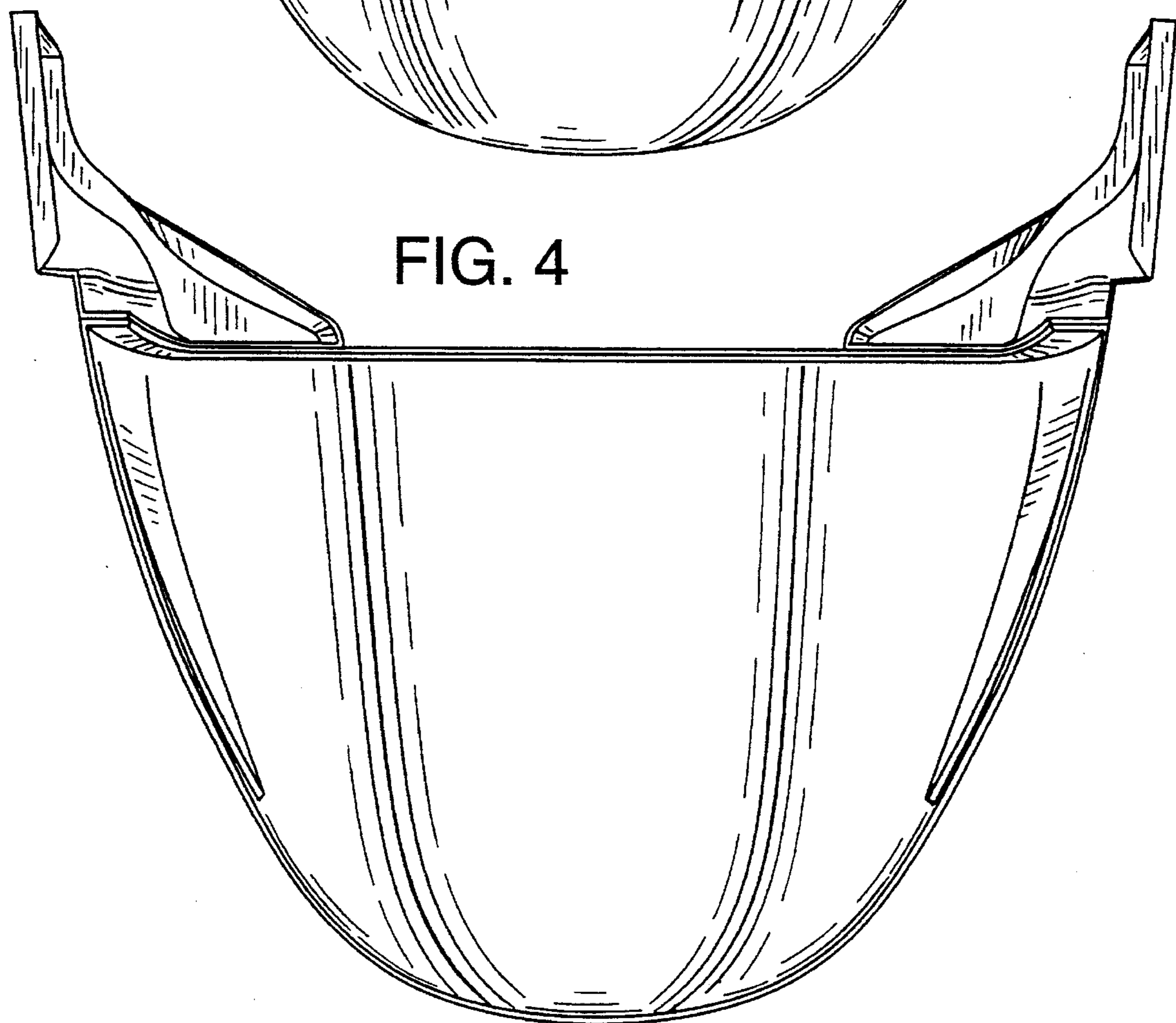


FIG. 4

FIG. 5

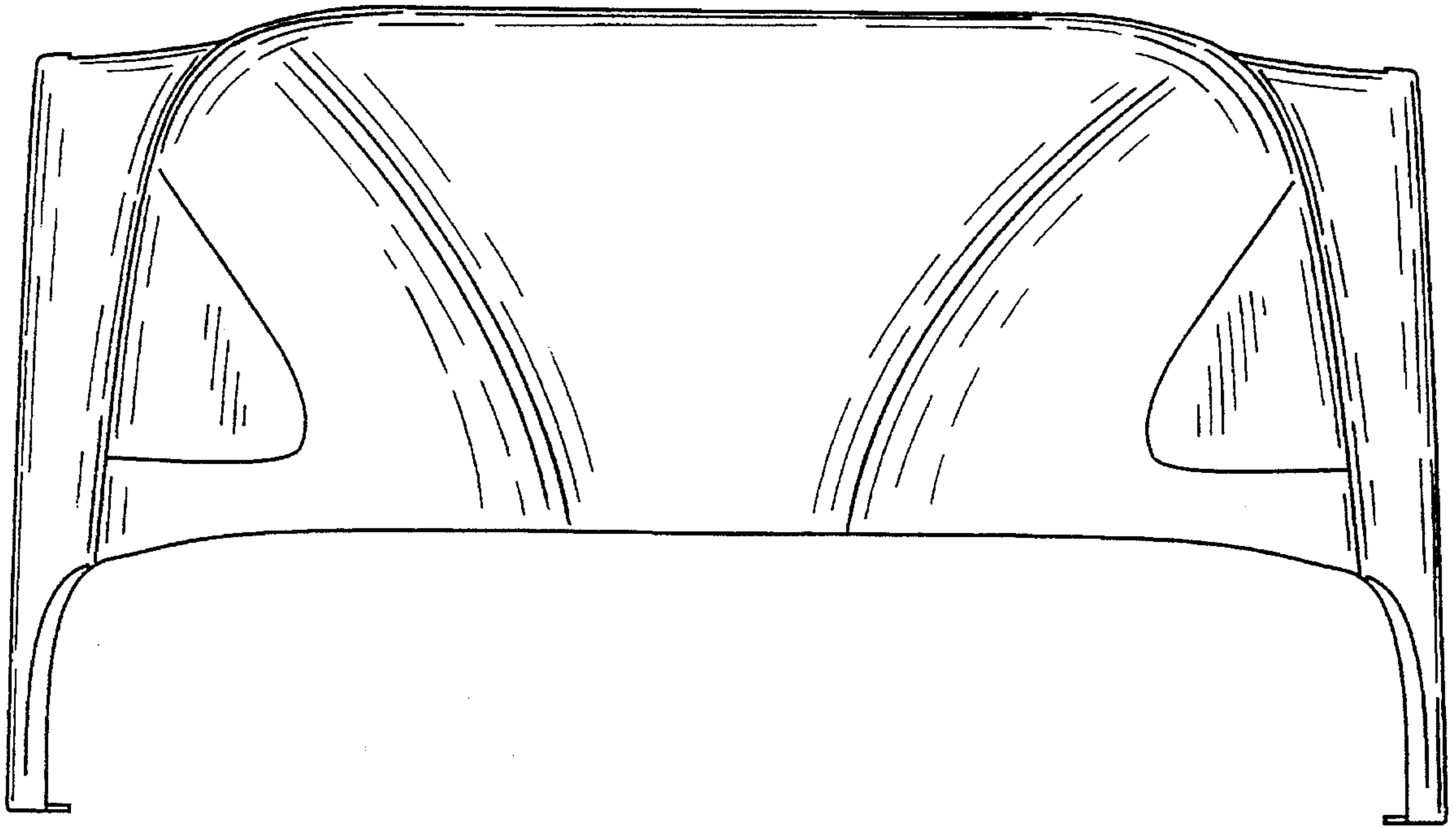


FIG. 6

