



US00D374417S

United States Patent [19]

[11] Patent Number: **Des. 374,417**

Götschi et al.

[45] Date of Patent: ****Oct. 8, 1996**

[54] **BICYCLE SUPPORT**

Attorney, Agent, or Firm—Oliff & Berridge

[75] Inventors: **Beat Götschi; Hans Pletscher**, both of Marthalen, Switzerland

[57] **CLAIM**

The ornamental design for bicycle support, as shown and described.

[73] Assignee: **Gebruder Pletscher AG**, Marthalen, Switzerland

DESCRIPTION

[**] Term: **14 Years**

FIG. 1 is a perspective view of the bicycle support in a down position;

[21] Appl. No.: **25,749**

FIG. 2 is a perspective view of the bicycle support of FIG. 1 in an up position;

[22] Filed: **Jul. 11, 1994**

FIG. 3 is an outer side view of the bicycle support in a down position;

[30] **Foreign Application Priority Data**

FIG. 4 is an inner side view of the bicycle support in a down position;

Feb. 8, 1994 [WO] WIPO DMA/002422

[52] U.S. Cl. **D12/120**

FIG. 5 is a top view of the bicycle support in a down position;

[58] Field of Search D12/120; 280/301, 280/294, 293

FIG. 6 is an underneath view of the bicycle support in a down position;

[56] **References Cited**

U.S. PATENT DOCUMENTS

- D. 317,143 5/1991 Weissenberger .
- 2,297,624 9/1942 Horstman 280/301
- 4,556,230 12/1985 Dickman 280/293 X

FIG. 7 is a rear view of the bicycle support in a down position;

FIG. 8 is a front view of the bicycle support in a down position; and,

FOREIGN PATENT DOCUMENTS

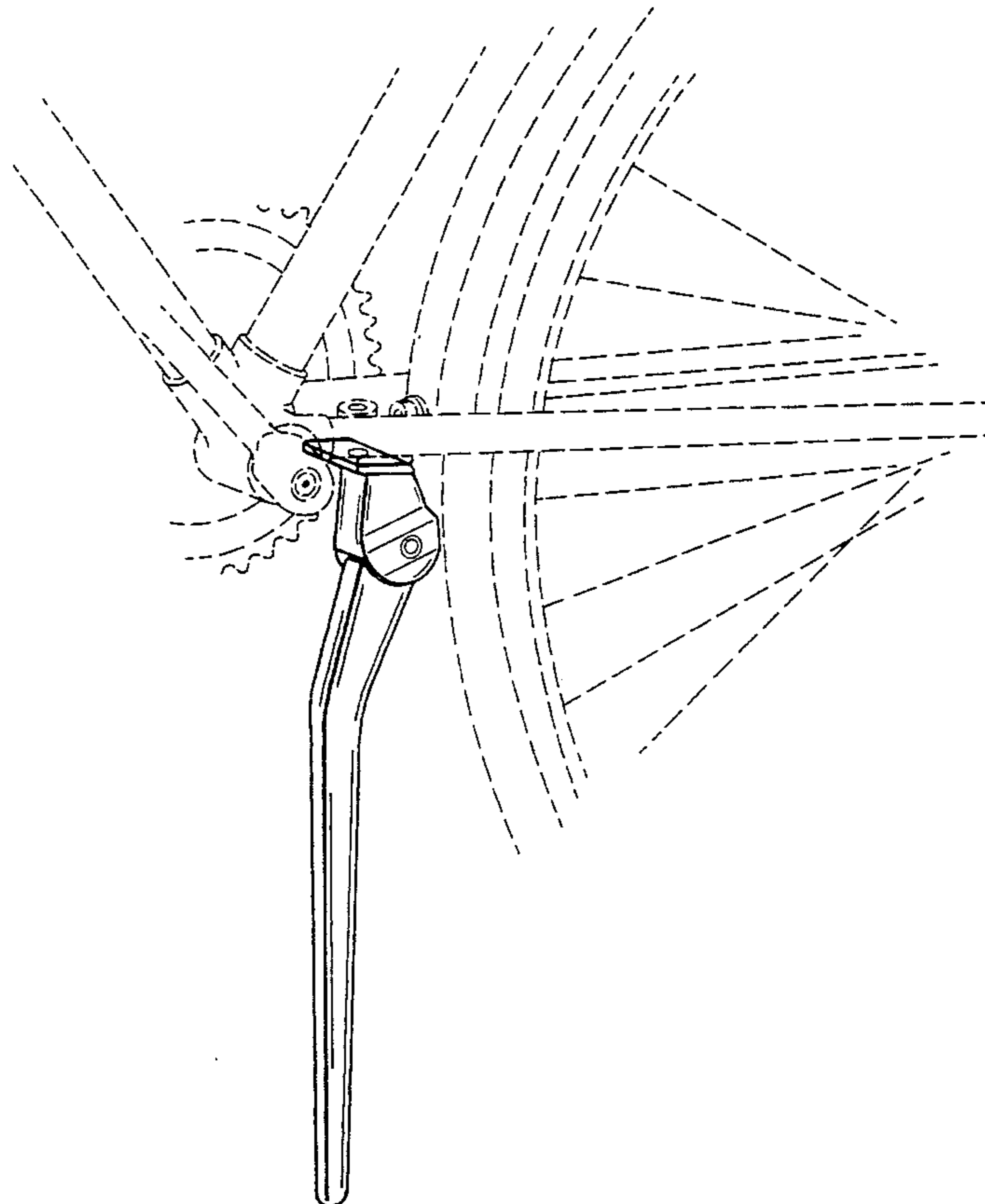
- 886830 10/1943 France 280/293
- 1011129 6/1952 France 280/293
- 1941385 3/1971 Germany 280/293

FIG. 9 is an outer side view of the bicycle support in an up position.

The broken line showing of a partial bicycle in FIGS. 1 and 2 is for illustrative purposes only and forms no part of the claimed design.

Primary Examiner—Holly H. Baynham

1 Claim, 7 Drawing Sheets



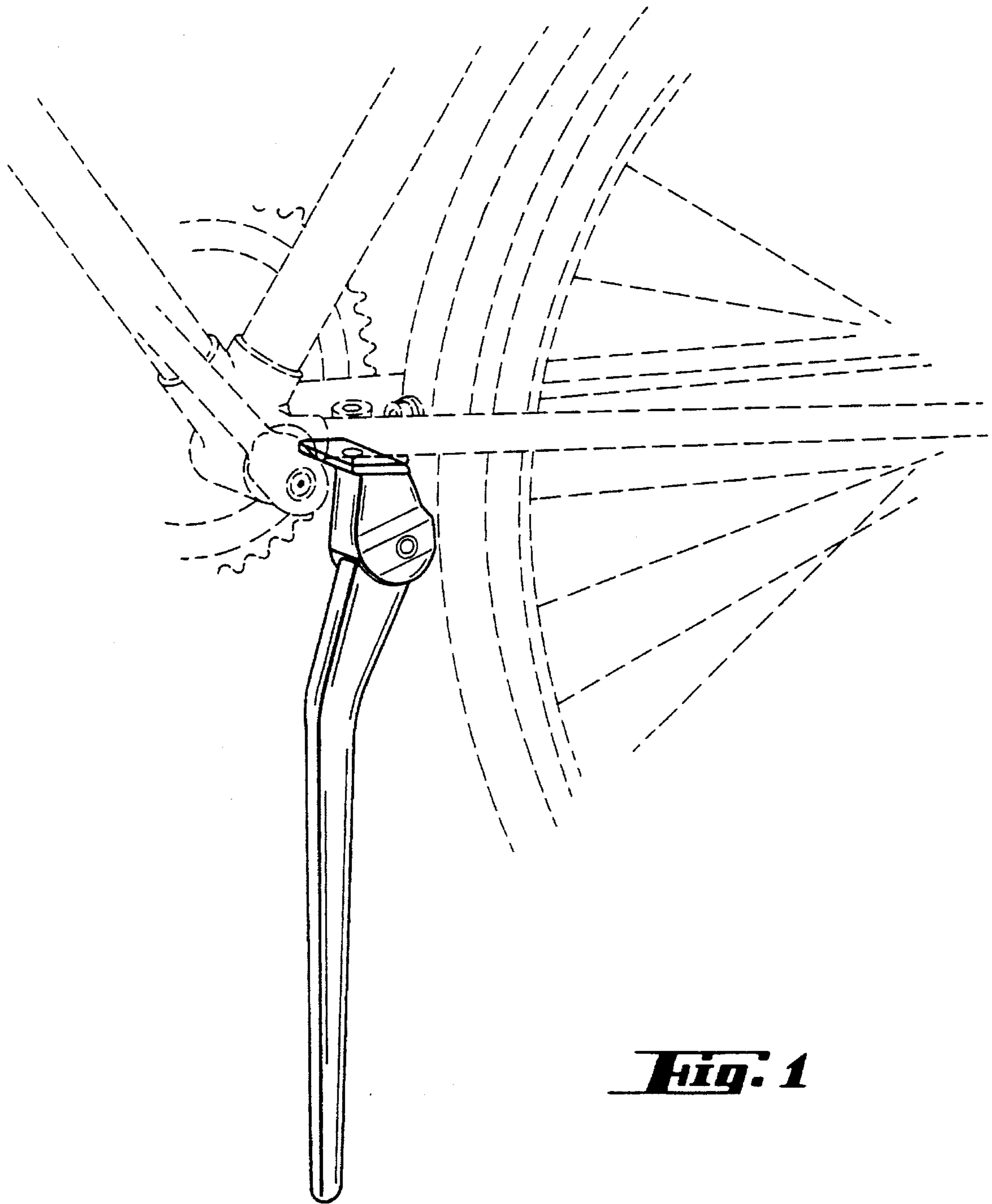


Fig. 1

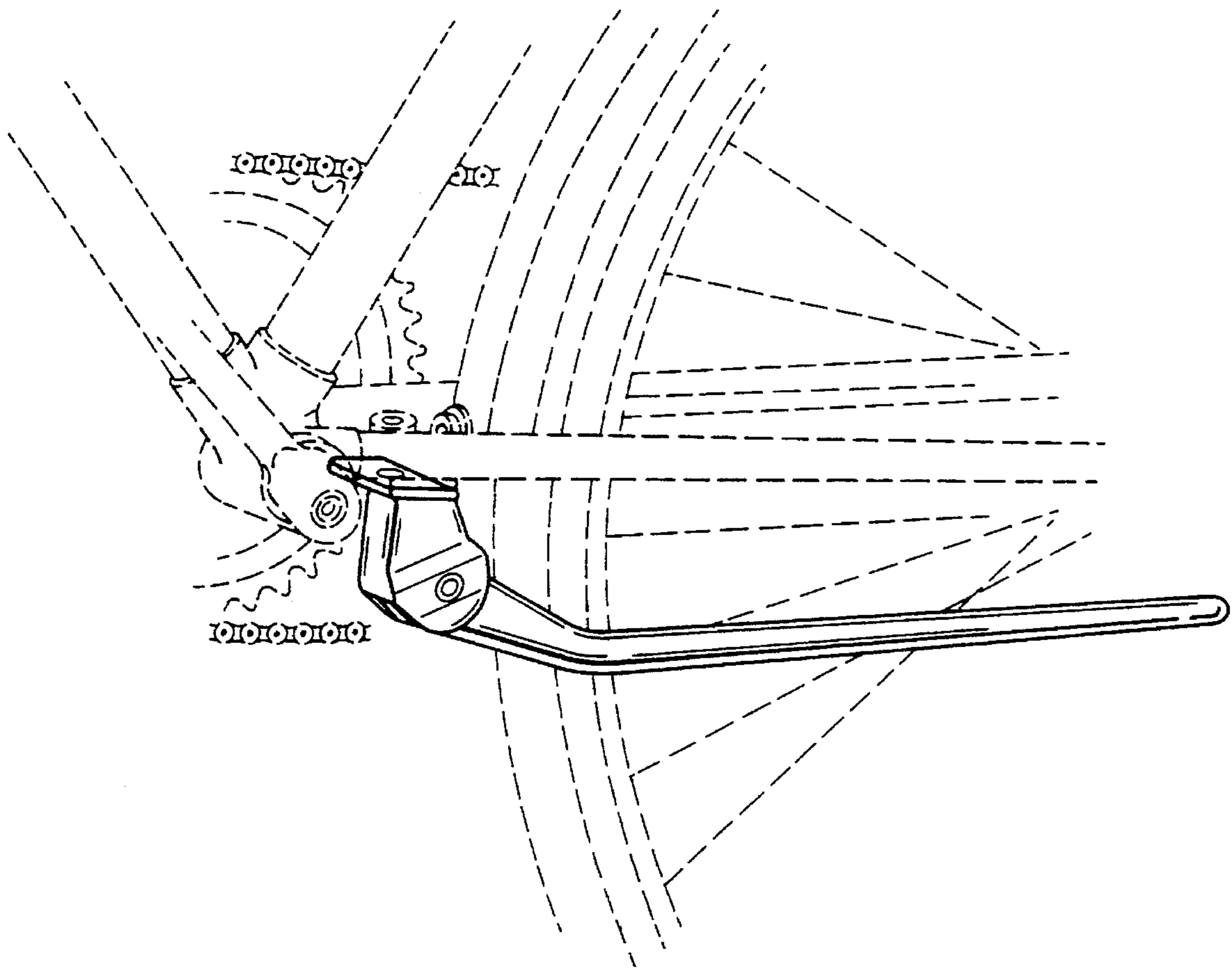


Fig. 2

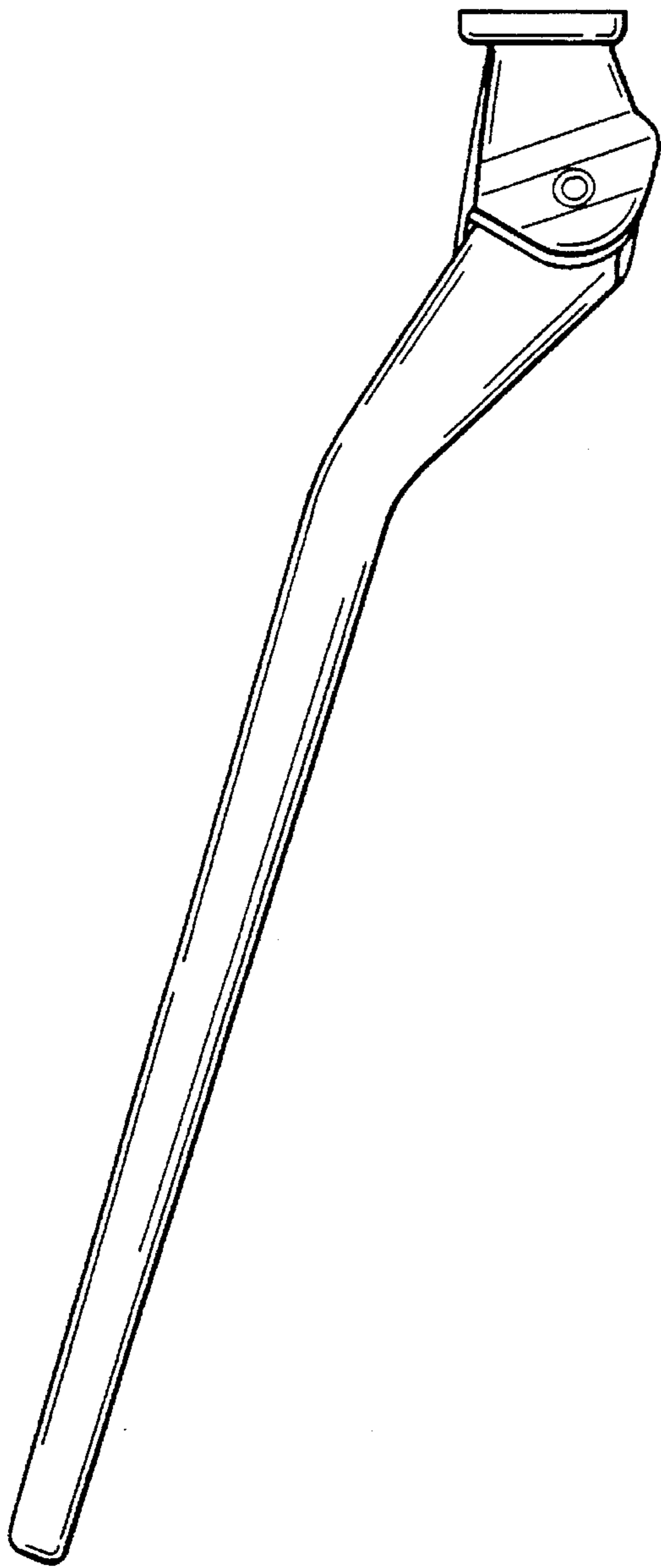


Fig. 3

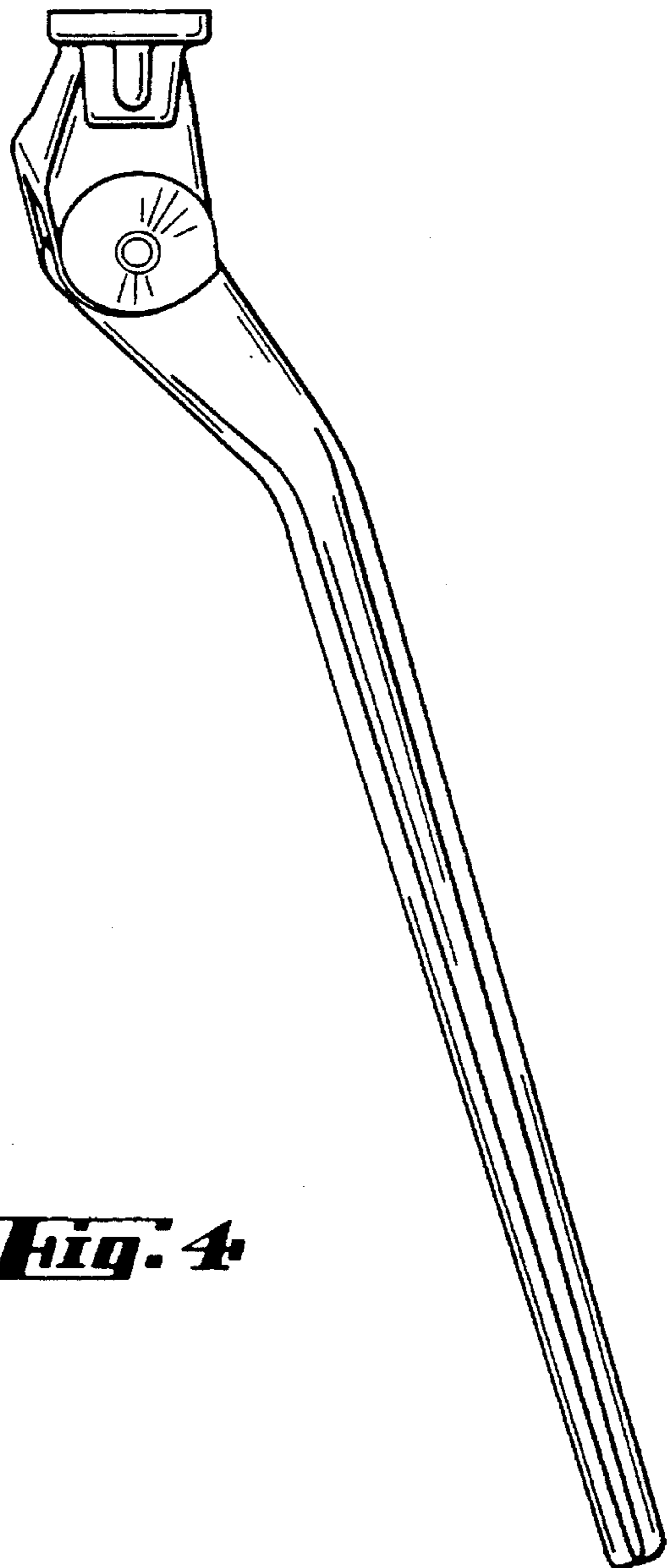


Fig. 4

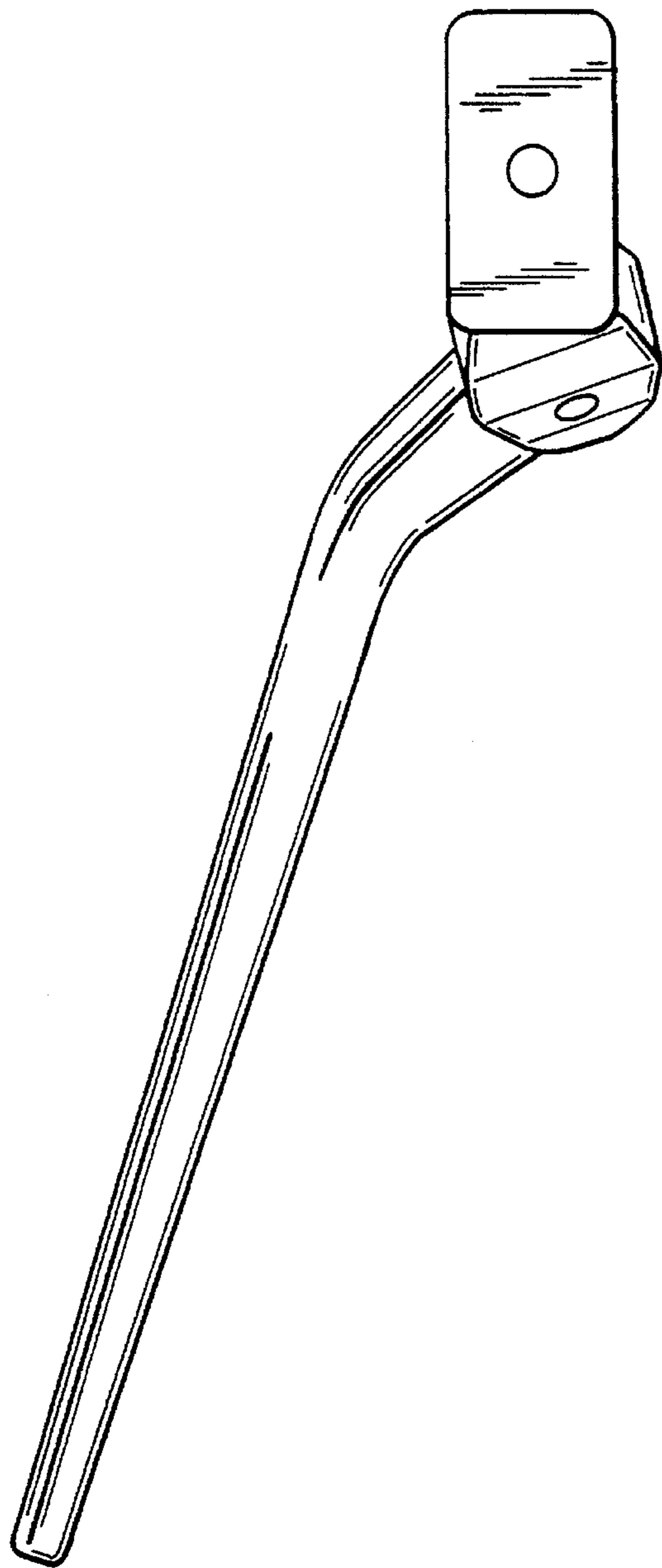


Fig. 5

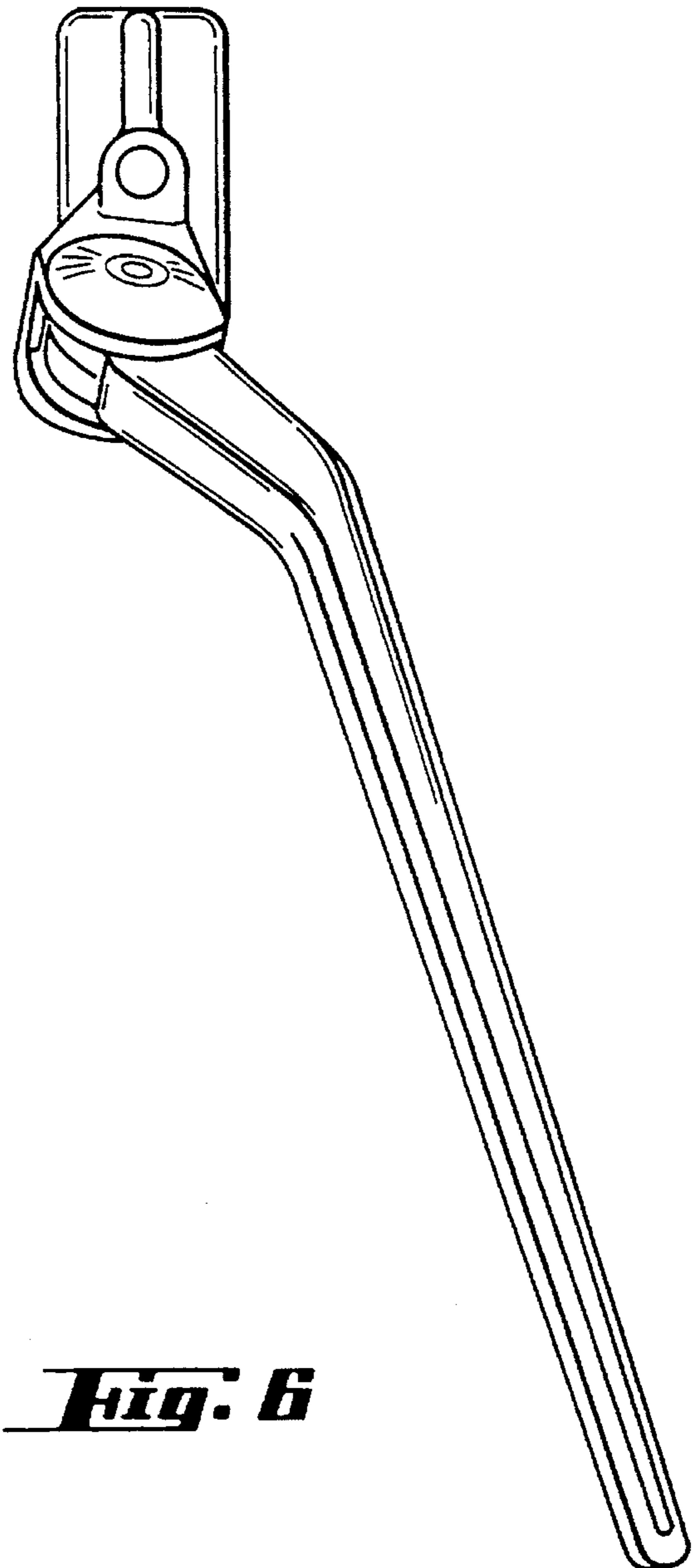
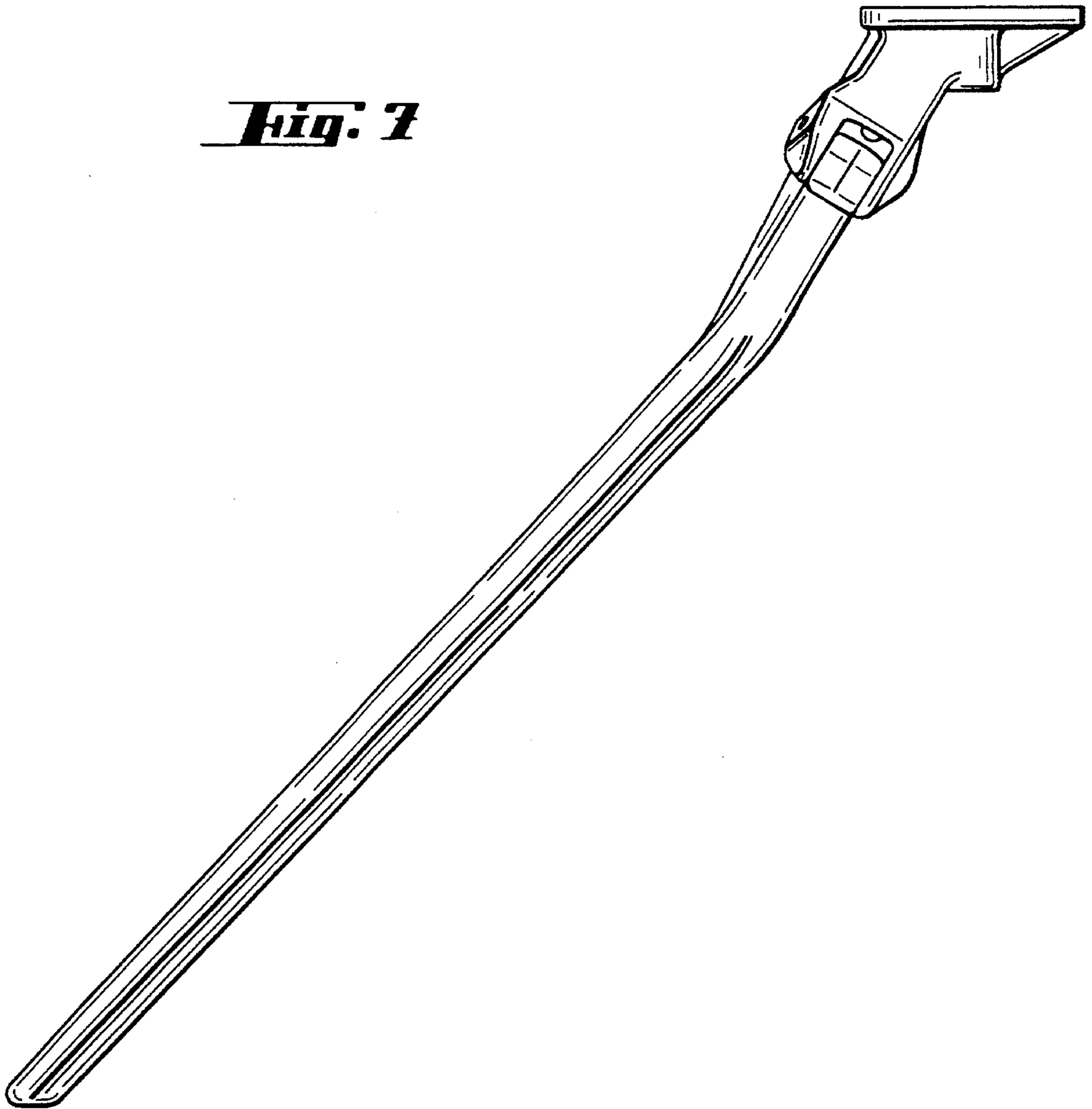


Fig. 6

Fig. 7



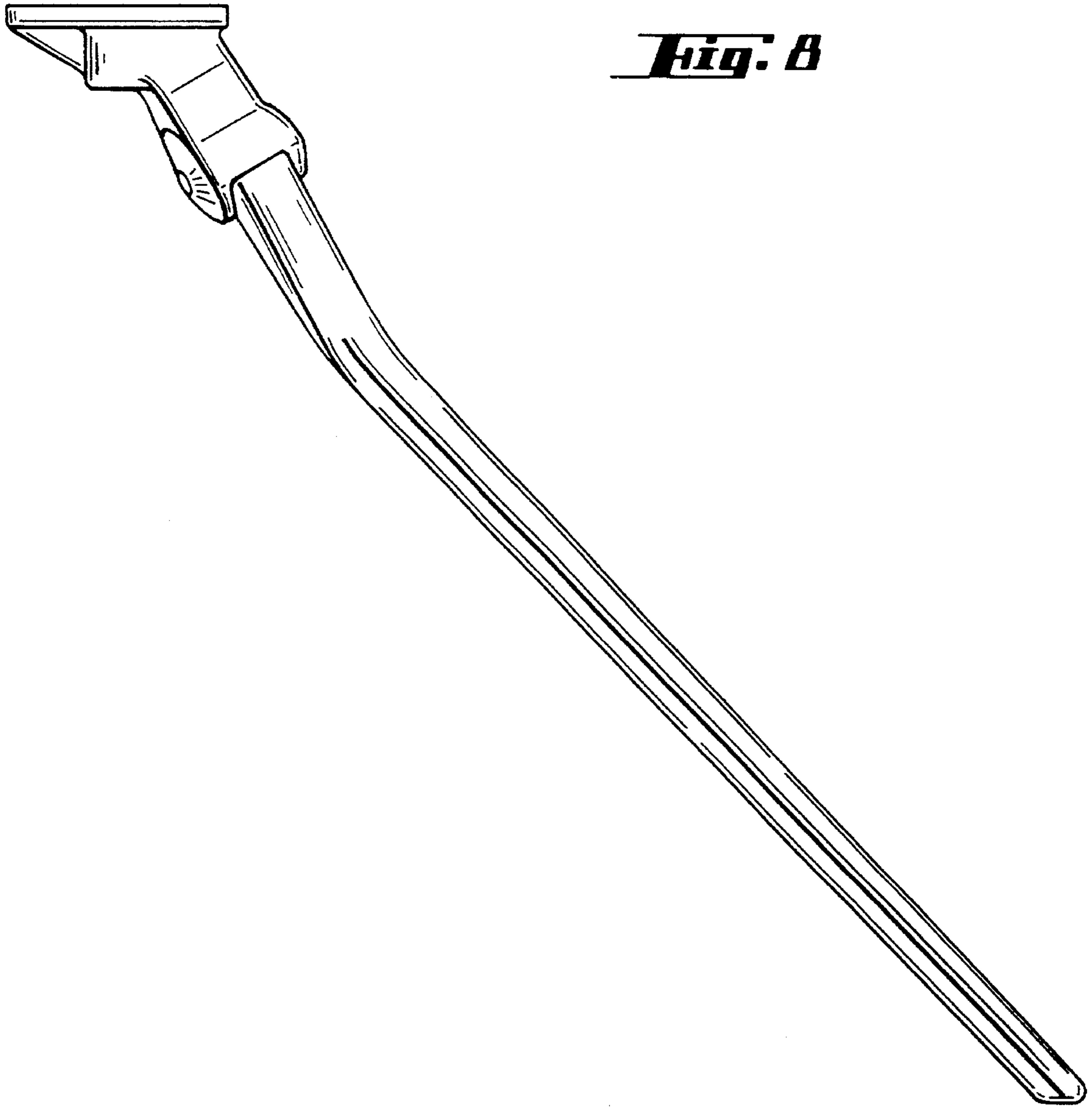


Fig. 8

FIG. 4

