



US00D374408S

United States Patent [19]

McMillan

[11] Patent Number: **Des. 374,408**

[45] Date of Patent: ****Oct. 8, 1996**

[54] IDENTIFICATION BAND FOR ATTACHMENT TO FIRE FIGHTING HOSE

[75] Inventor: **Stewart G. McMillan**, Valparaiso, Ind.

[73] Assignee: **Task Force Tips, Inc.**, Valparaiso, Ind.

[**] Term: **14 Years**

[21] Appl. No.: **30,744**

[22] Filed: **Nov. 7, 1994**

[52] U.S. Cl. **D10/109**

[58] Field of Search D8/394, 396; D20/10, D20/22, 27, 28; D10/109; 116/205, 264, 265, DIG. 17; 40/316; D29/125, 129

[56] References Cited

U.S. PATENT DOCUMENTS

D. 344,763	3/1994	Vitantonio et al.	D20/28
D. 345,519	3/1994	Clement	D10/109
D. 345,520	3/1994	Clement	D10/109
D. 346,983	5/1994	Clement	D10/109

OTHER PUBLICATIONS

Red Head Brass, Inc. 1993—Catalog 21.
Snap-Tite/Ponn—Fire Hose Guide (catalog) prior to Nov. 1994.

National Fire Hose Corporation—Custom Municipal Fire Hose (catalog) prior to Nov. 1994.

Primary Examiner—A. Hugo Word
Assistant Examiner—Marcus Jackson
Attorney, Agent, or Firm—Marshall, O’Toole, Gerstein, Murray & Borun

[57] CLAIM

The ornamental design for an identification band for attachment to fire fighting hose, as shown and described.

DESCRIPTION

FIG. 1 is an exploded reduced front perspective view of an identification band for attachment to fire fighting hose showing my new design, with the broken line showing for illustrative purposes only and forming no part of the claimed design;

FIG. 2 is a front perspective view thereof;

FIG. 3 is a rear elevational view thereof; and,

FIG. 4 is a side elevational view thereof, wherein the opposite sides on a 45 degree angle is a mirror image.

1 Claim, 1 Drawing Sheet

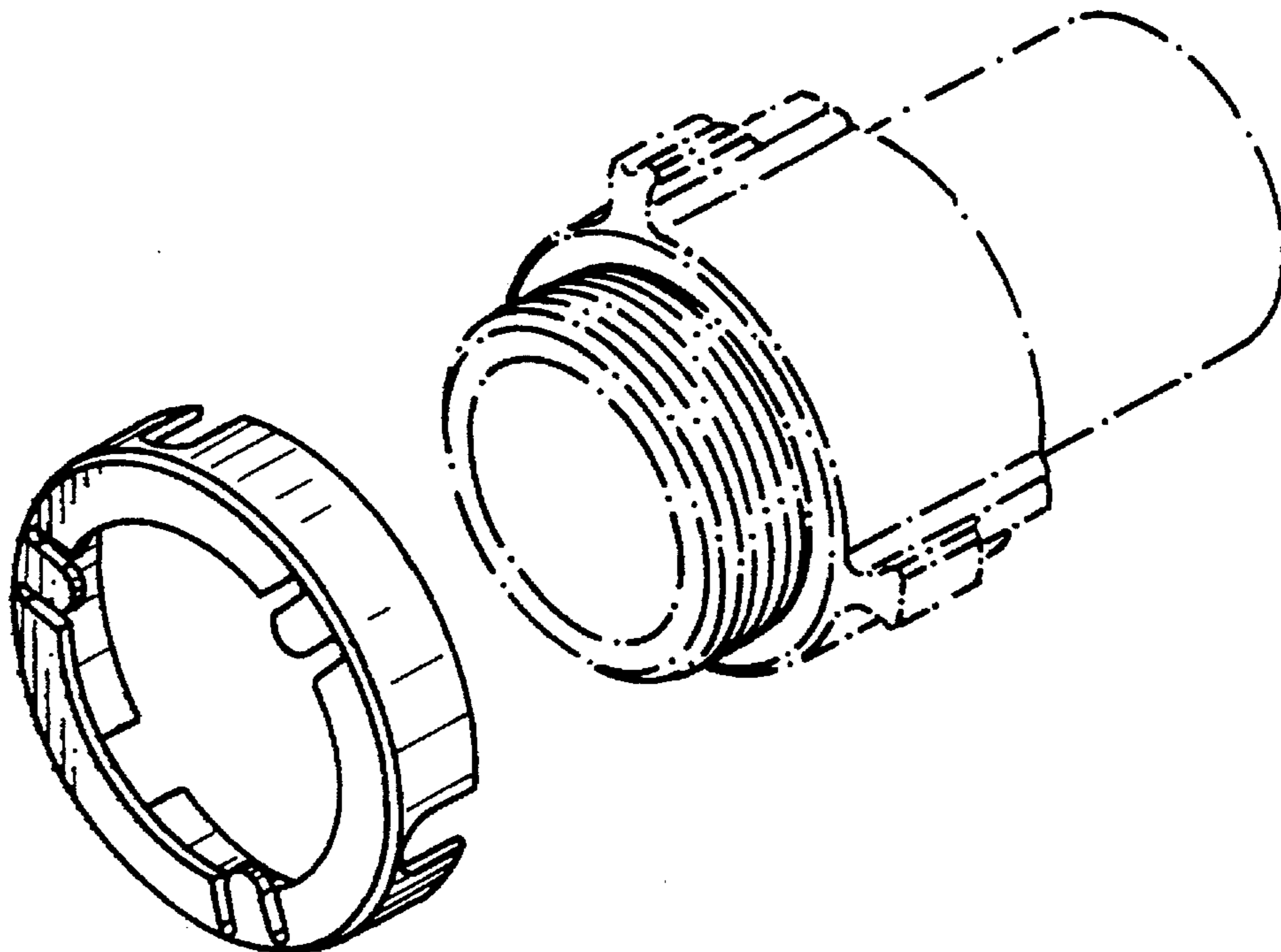


FIG. 1

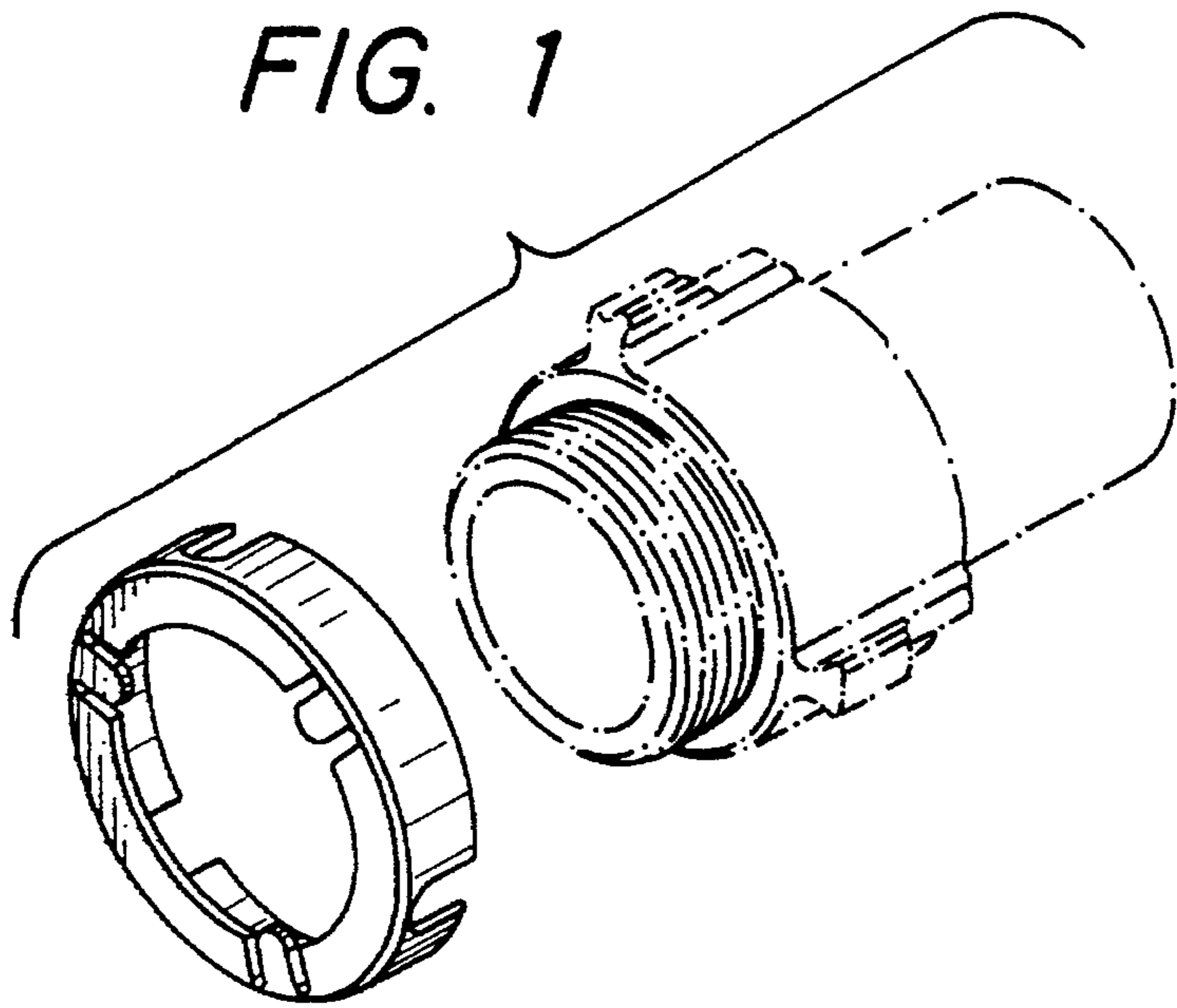


FIG. 2

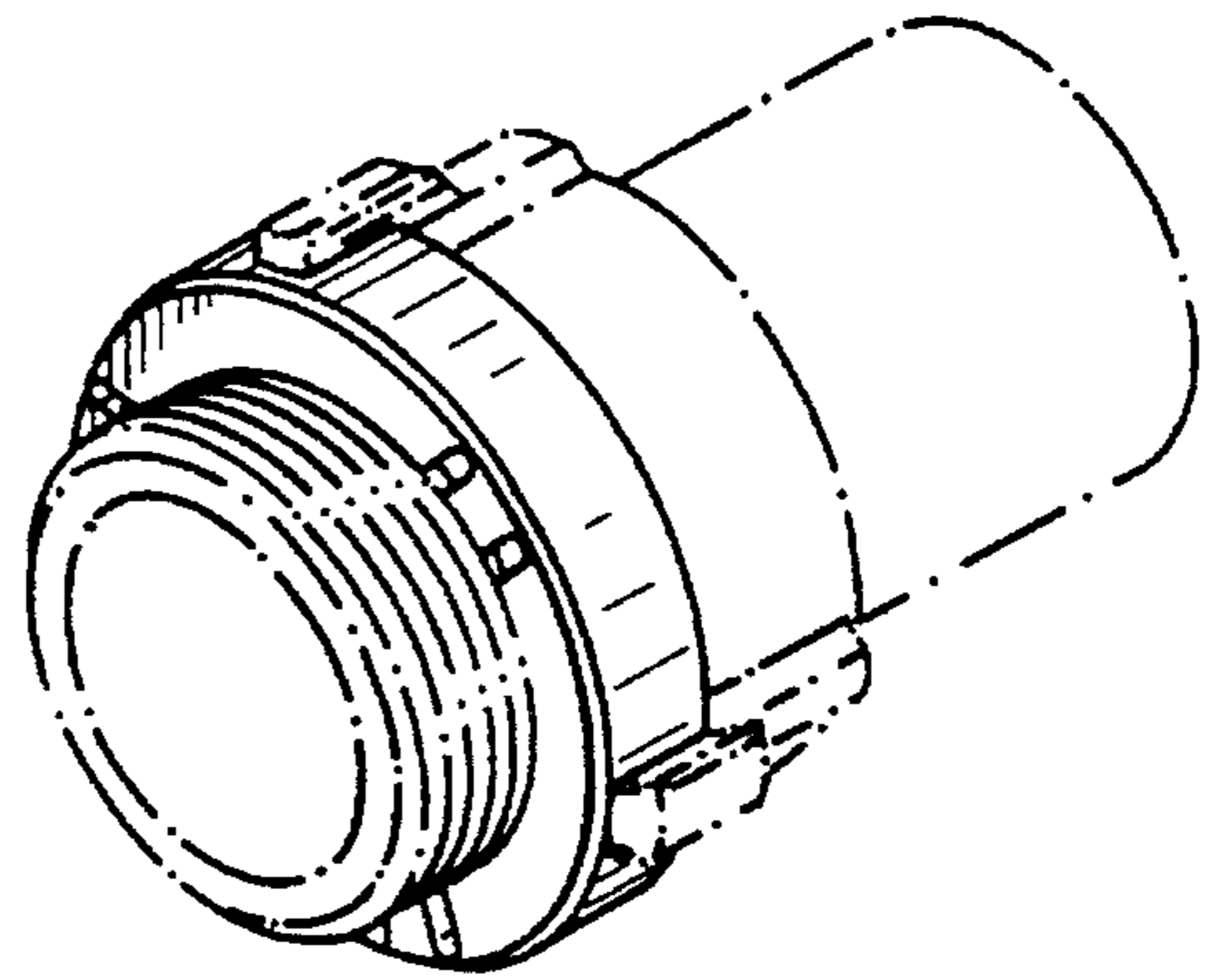


FIG. 3

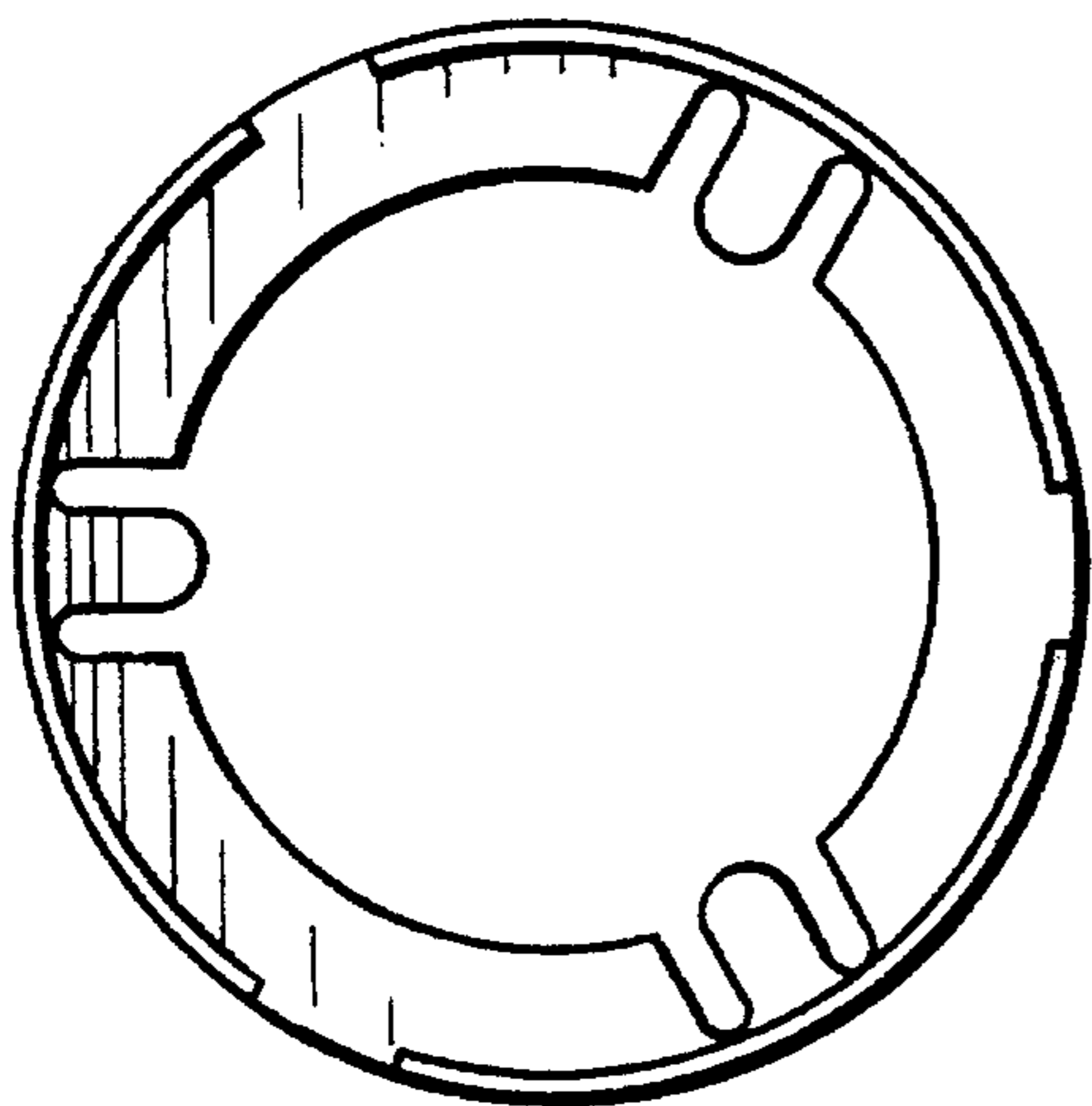


FIG. 4

