



US00D374401S

# United States Patent [19]

Behnen, Jr.

[11] Patent Number: **Des. 374,401**

[45] Date of Patent: **\*\*Oct. 8, 1996**

[54] **BEVERAGE CAN CAP**

[75] Inventor: **David H. Behnen, Jr.**, St. Louis, Mo.

[73] Assignee: **Data Manufacturing, Inc.**, St. Louis, Mo.

[\*\*] Term: **14 Years**

[21] Appl. No.: **36,091**

[22] Filed: **Mar. 13, 1995**

[52] U.S. Cl. .... **D9/452; D7/392.1; D7/511; D9/454**

[58] Field of Search ..... **D9/434, 435, 436, D9/445, 452-454, 505, 302, 300, 438, 500-504, 516, 518; D7/510, 511, 391, 392, 392.1, 538-542, 591; 270/306-308, 711-719, 703, 724, 728, 254; 215/255, 256, 305, 307**

D. 327,648 7/1992 Cane ..... D9/436  
 D. 329,355 9/1992 Yagi ..... D7/511  
 D. 359,451 6/1995 Dees ..... D9/454 X  
 637,295 11/1899 Steward ..... 220/306  
 1,977,641 10/1934 Loeber ..... 220/306  
 3,421,653 1/1969 Whaley ..... 220/306

*Primary Examiner*—Jeffrey Asch  
*Attorney, Agent, or Firm*—Armstrong, Teasdale, Schlafly & Davis

### [57] CLAIM

The ornamental design for a beverage can cap, as shown and described.

### DESCRIPTION

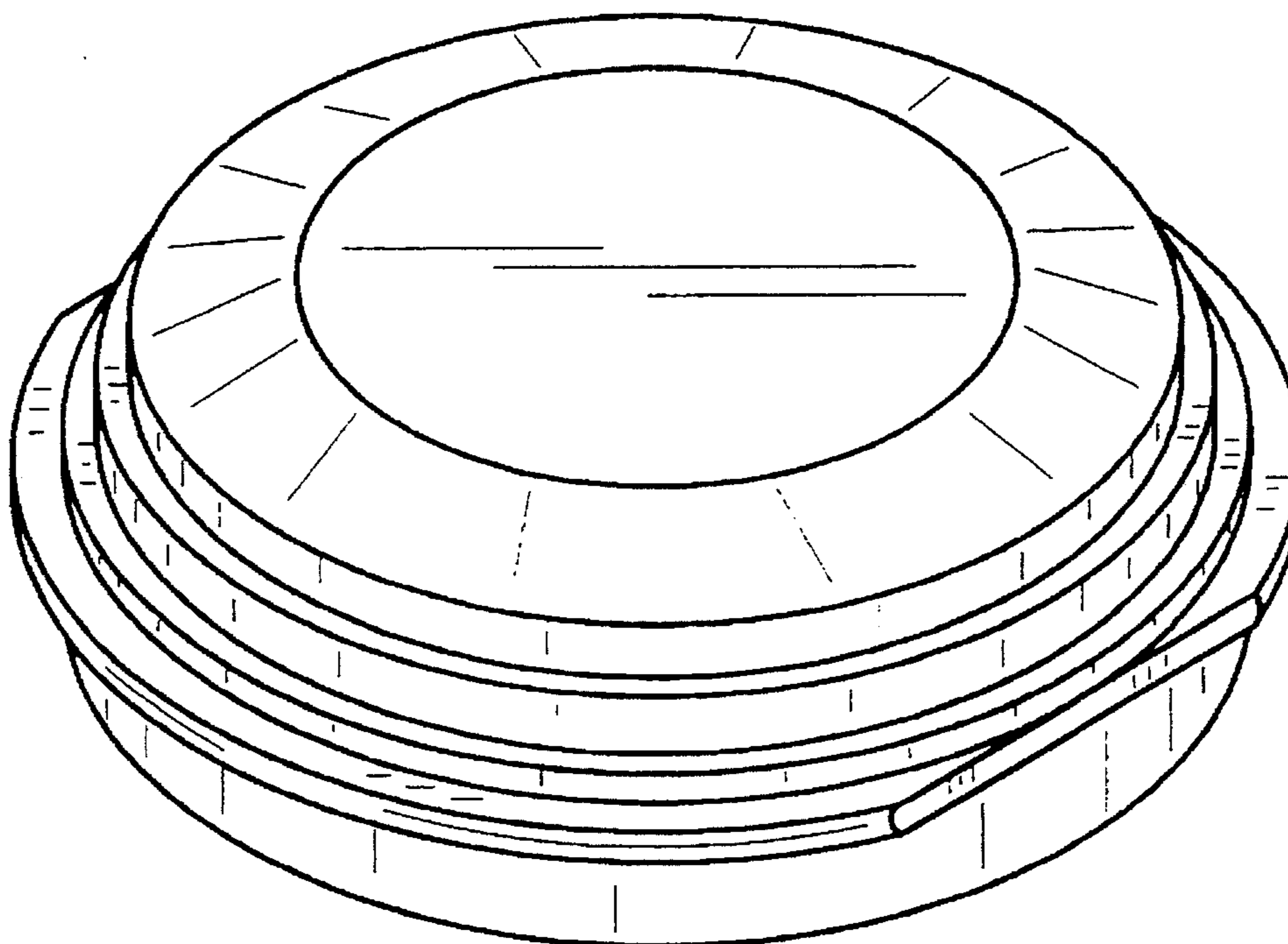
FIG. 1 is a perspective view of a beverage can cap according to my design;  
 FIG. 2 is a top plan view thereof;  
 FIG. 3 is a bottom plan view thereof;  
 FIG. 4 is a front elevational view thereof;  
 FIG. 5 is a rear elevational view thereof;  
 FIG. 6 is a left side elevational view thereof;  
 FIG. 7 is a right side elevational view thereof; and,  
 FIG. 8 is a vertical cross-sectional view thereof taken along the plane of line 8—8 in FIG. 2.

### [56] References Cited

#### U.S. PATENT DOCUMENTS

D. 241,917 10/1976 Borum ..... D9/452  
 D. 257,933 6/1981 Conti ..... D7/391 X  
 D. 265,061 6/1982 Tricinella ..... D7/391 X  
 D. 271,945 12/1983 Ochs ..... D9/452  
 D. 281,758 12/1985 Trombly ..... D7/392.1

**1 Claim, 1 Drawing Sheet**



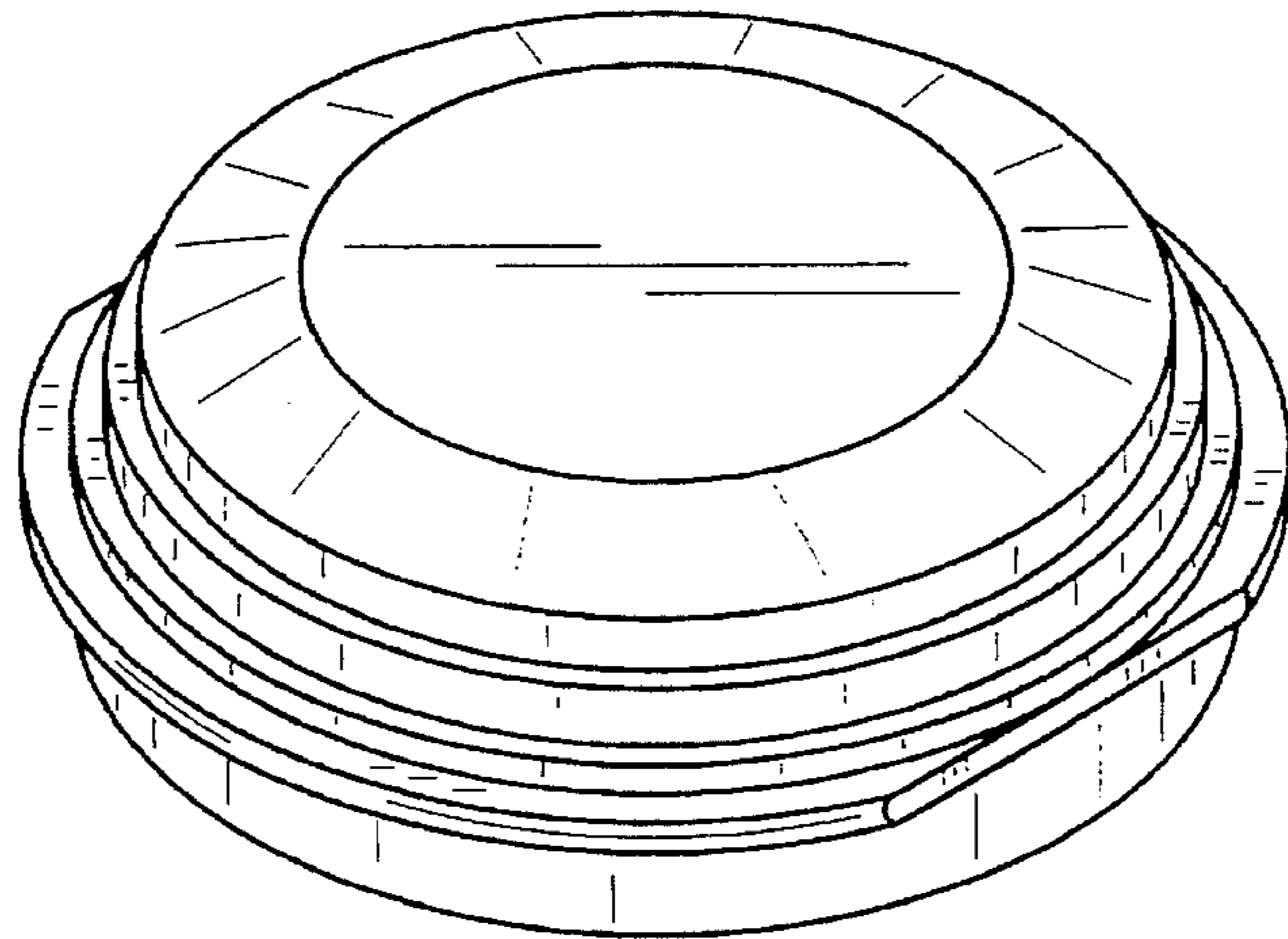


FIG. 1

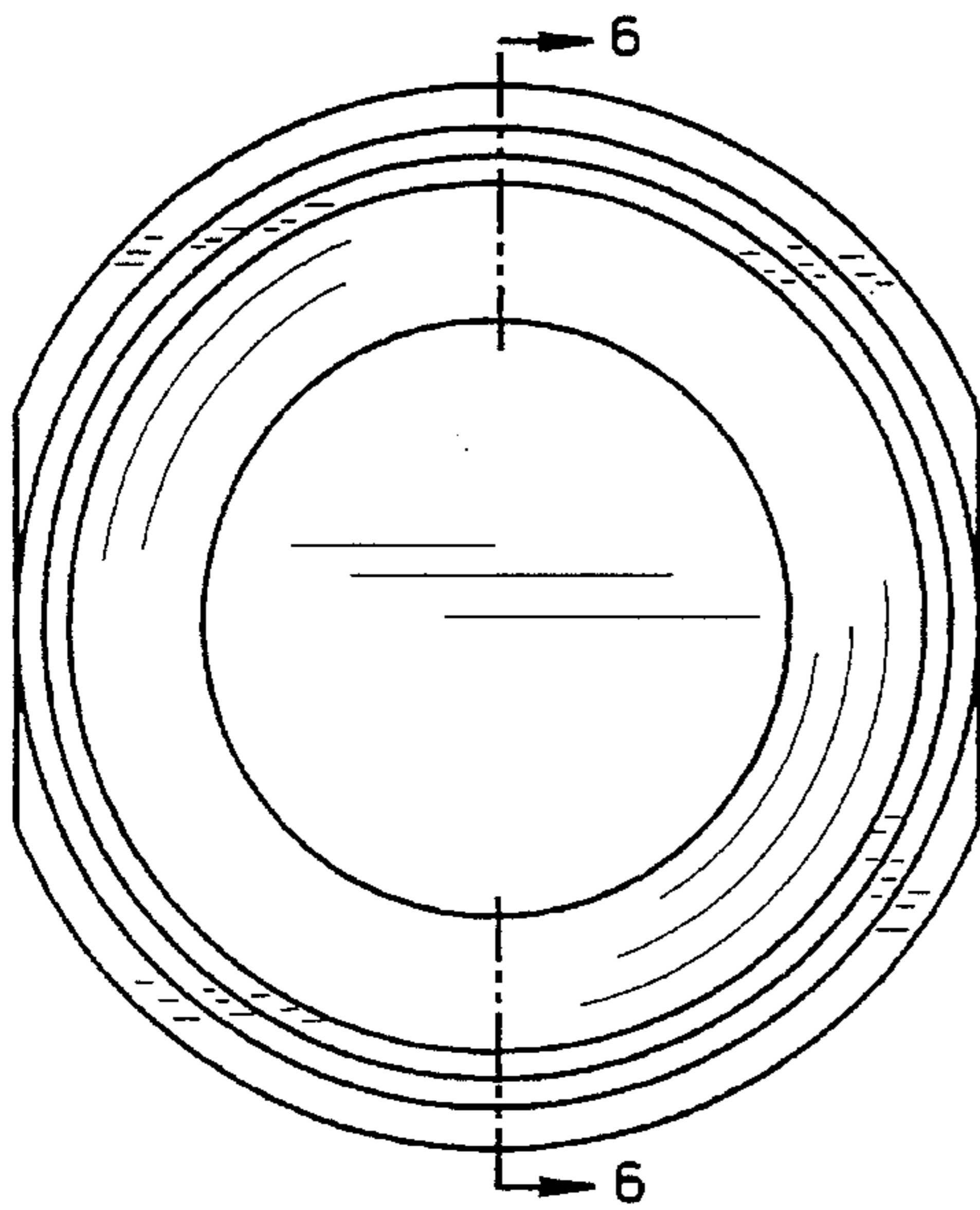


FIG. 2

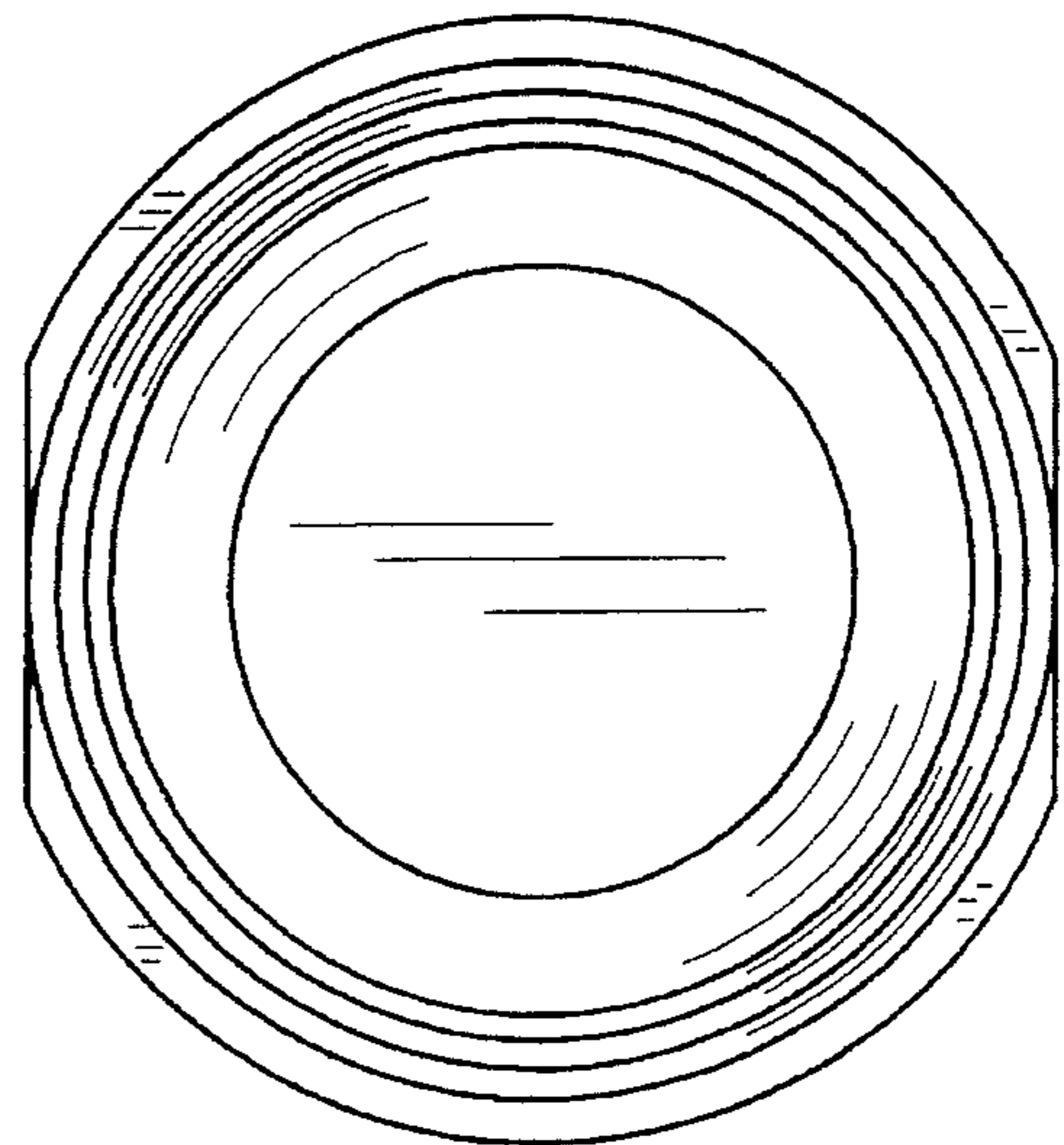


FIG. 3

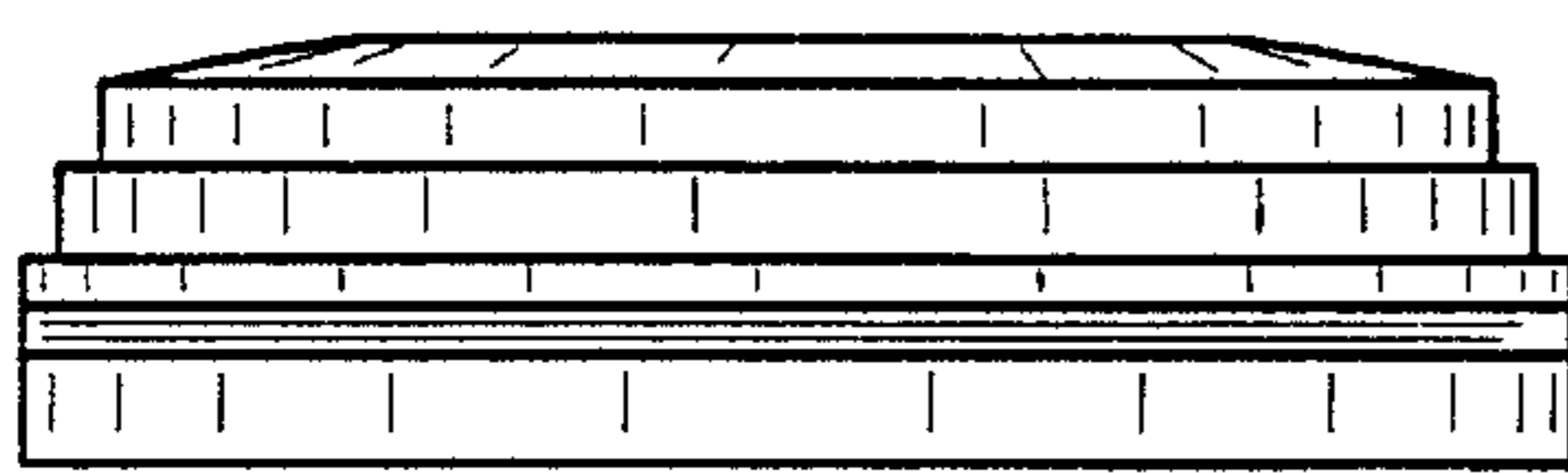


FIG. 4

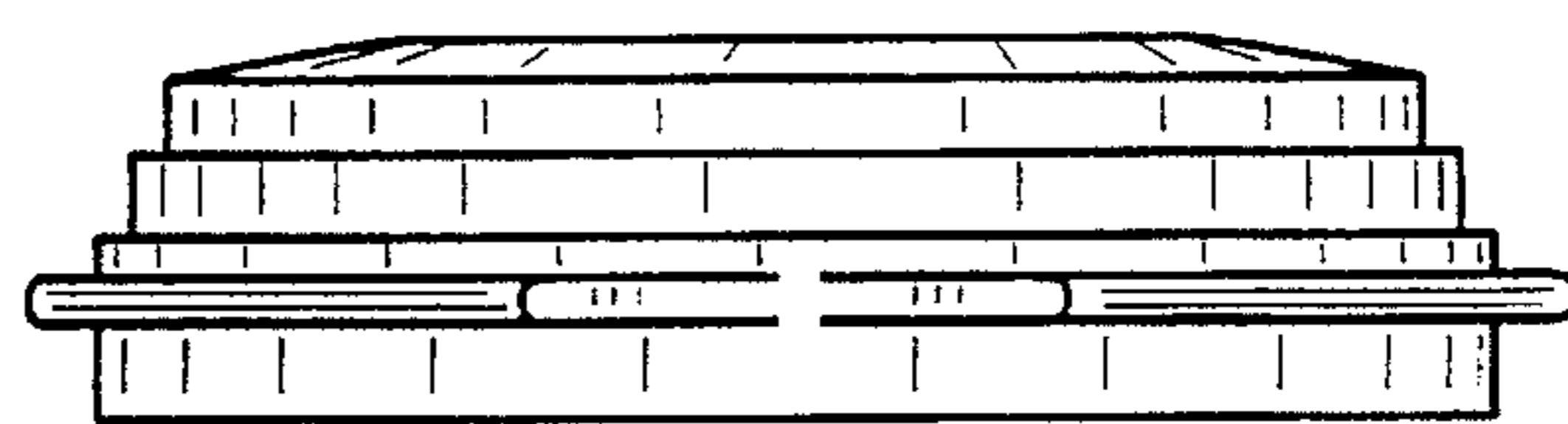


FIG. 5

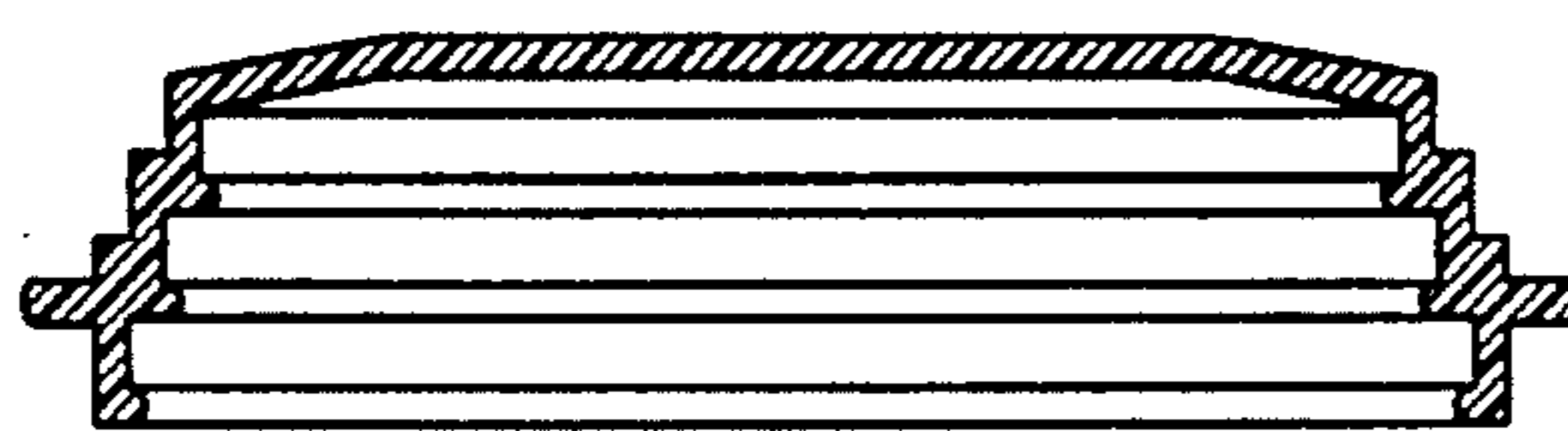


FIG. 6