



US00D374399S

United States Patent [19]

Neveras et al.

[11] Patent Number: **Des. 374,399**

[45] Date of Patent: ****Oct. 8, 1996**

[54] CLOSURE

[75] Inventors: **George J. Neveras, Kendall; James C. McKinney**, Cranbury, both of N.J.

[73] Assignee: **Colgate-Palmolive Company**, New York, N.Y.

[**] Term: **14 Years**

[21] Appl. No.: **19,448**

[22] Filed: **Mar. 2, 1994**

4,759,455	7/1988	Wilson	215/235
4,782,964	11/1988	Poore et al.	215/237
4,854,473	8/1989	Dubach	215/235
4,911,324	3/1990	Dubach	215/237
5,069,367	12/1991	Salmon et al.	215/254
5,094,361	3/1992	Dubach	222/556
5,141,138	8/1992	Odet et al.	215/254

FOREIGN PATENT DOCUMENTS

2224309	5/1990	United Kingdom	220/339
---------	--------	----------------------	---------

Primary Examiner—Martie Thompson
Assistant Examiner—Robert M. Spear
Attorney, Agent, or Firm—Michael J. McGreal

Related U.S. Application Data

[63] Continuation-in-part of Ser. No. 7,391, Apr. 21, 1993.

[52] U.S. Cl. **D9/447**; D9/442

[58] Field of Search D9/434-6, 438, D9/440, 444-6, 447-9, 454; 215/100 A, 201, 206, 216, 235, 237, 253-4; 220/265, 339; 222/81, 153, 541, 556

[57] CLAIM

The ornamental design for a closure, as shown and described.

DESCRIPTION

FIG. 1 is a left side elevational view of the closure;
FIG. 2 is a top plan view thereof;
FIG. 3 is a bottom plan view thereof;
FIG. 4 is a front elevational view thereof;
FIG. 5 is a rear elevational view thereof;
FIG. 6 is a top front right perspective view thereof opened;
and,
FIG. 7 is top front right perspective view thereof closed.
The broken line showing of a flexible tube container is for illustrative purposes only and forms no part of the claimed design.

[56] References Cited

U.S. PATENT DOCUMENTS

D. 223,900	6/1972	Douglas et al.	D9/446
D. 314,147	1/1991	Davis	D9/446
4,193,519	3/1980	Dubach et al.	222/556
4,236,653	12/1980	Gach	222/153
4,377,247	3/1983	Hazard et al.	215/335
4,487,324	12/1984	Ostrowsky	215/235
4,519,517	5/1985	Walter	215/237
4,638,916	1/1987	Beck et al.	215/235
4,696,408	9/1987	Dubach	215/237

1 Claim, 2 Drawing Sheets

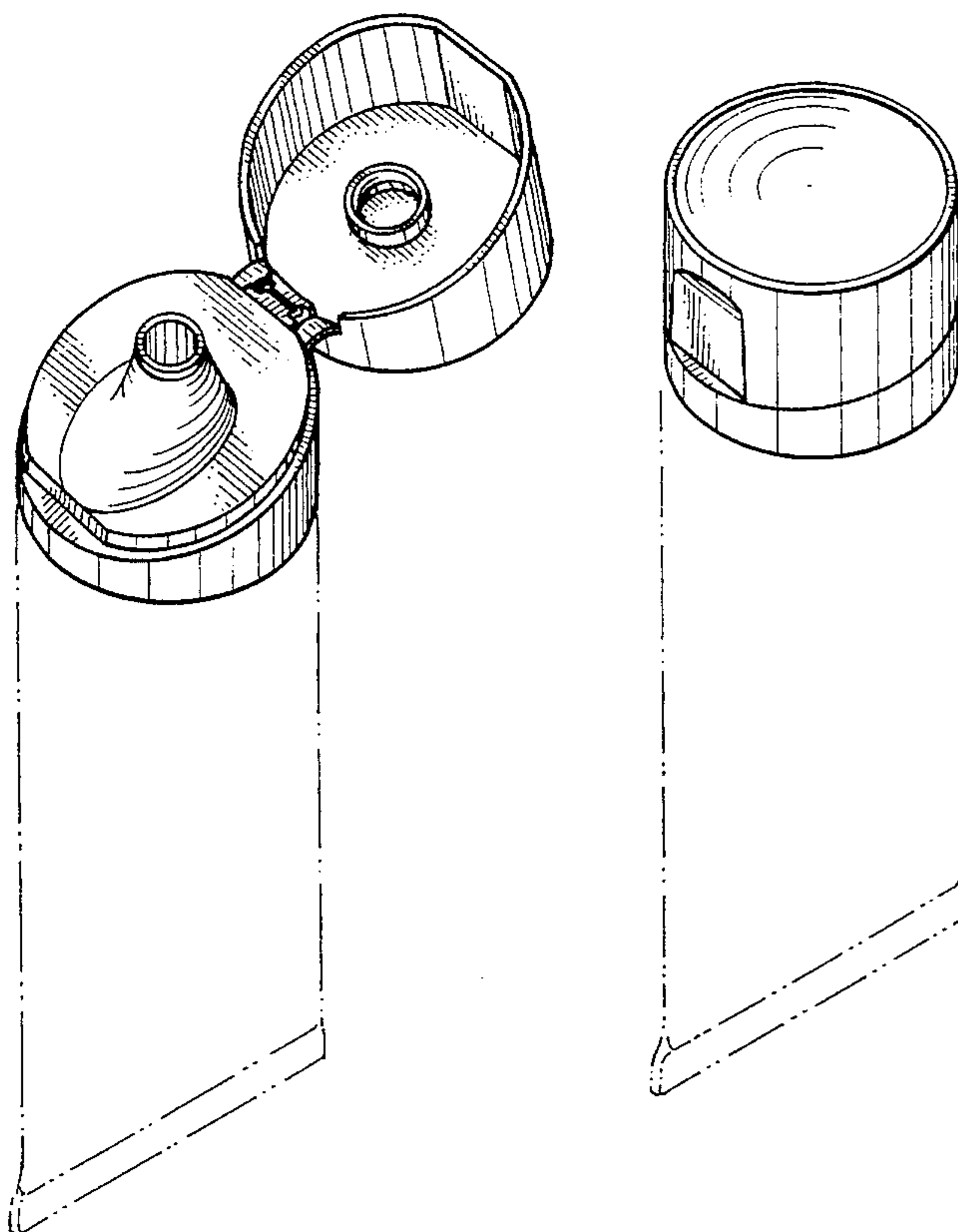


FIG. 1

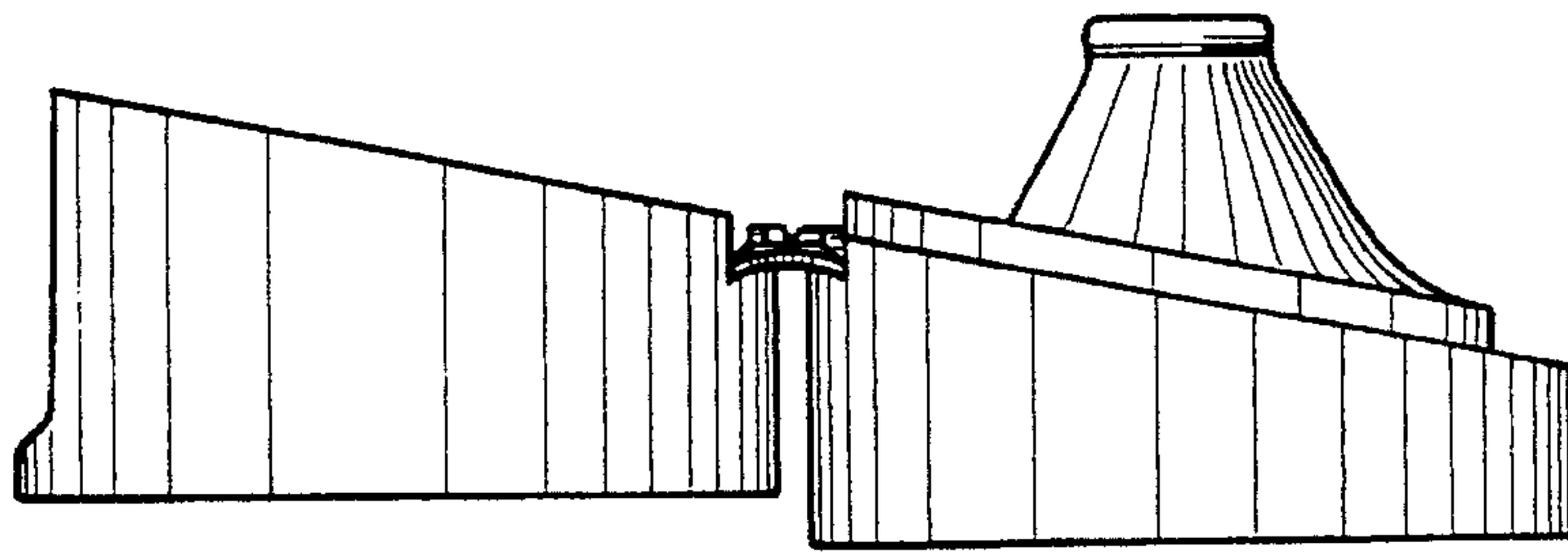


FIG. 2

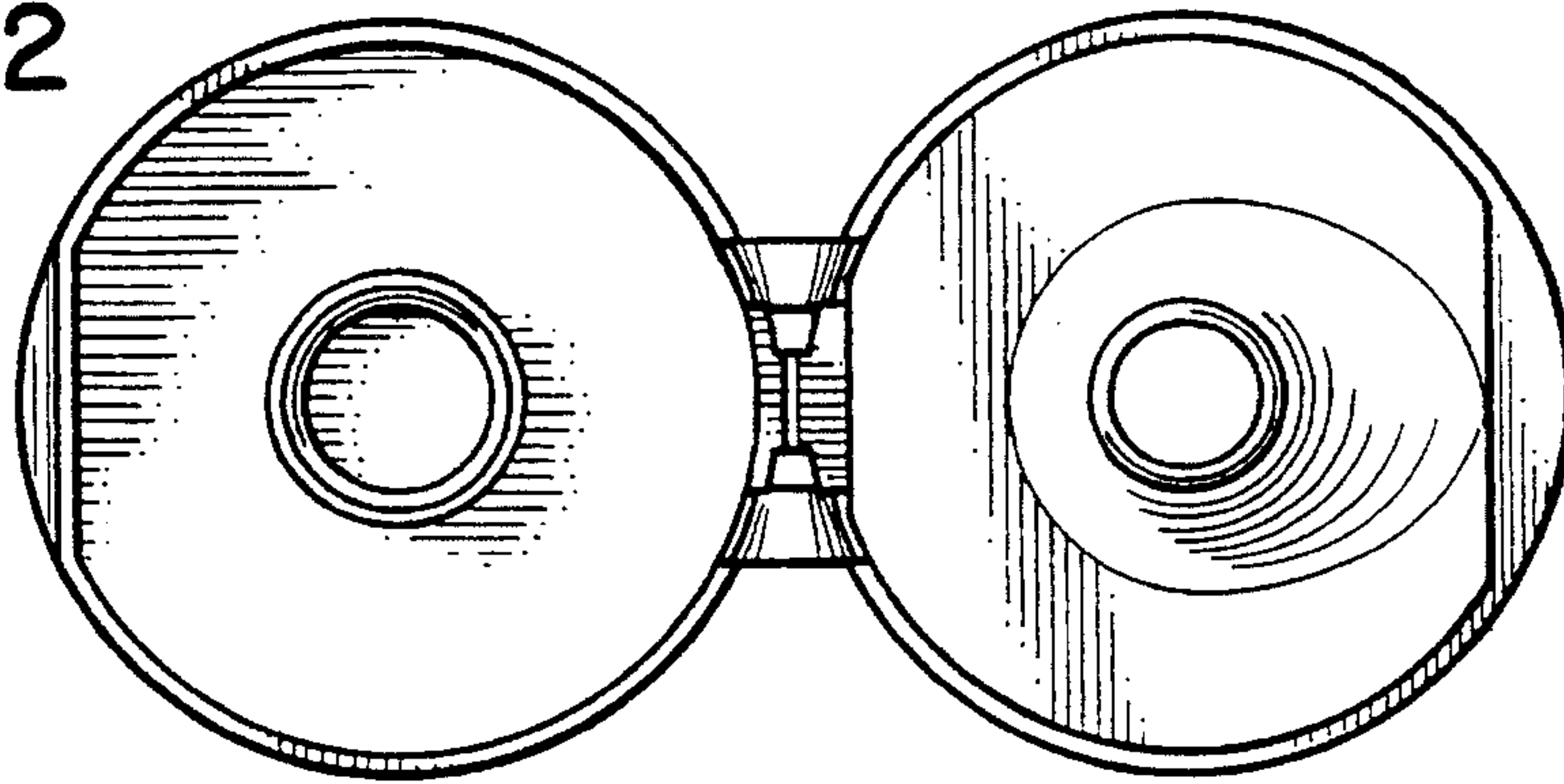


FIG. 3

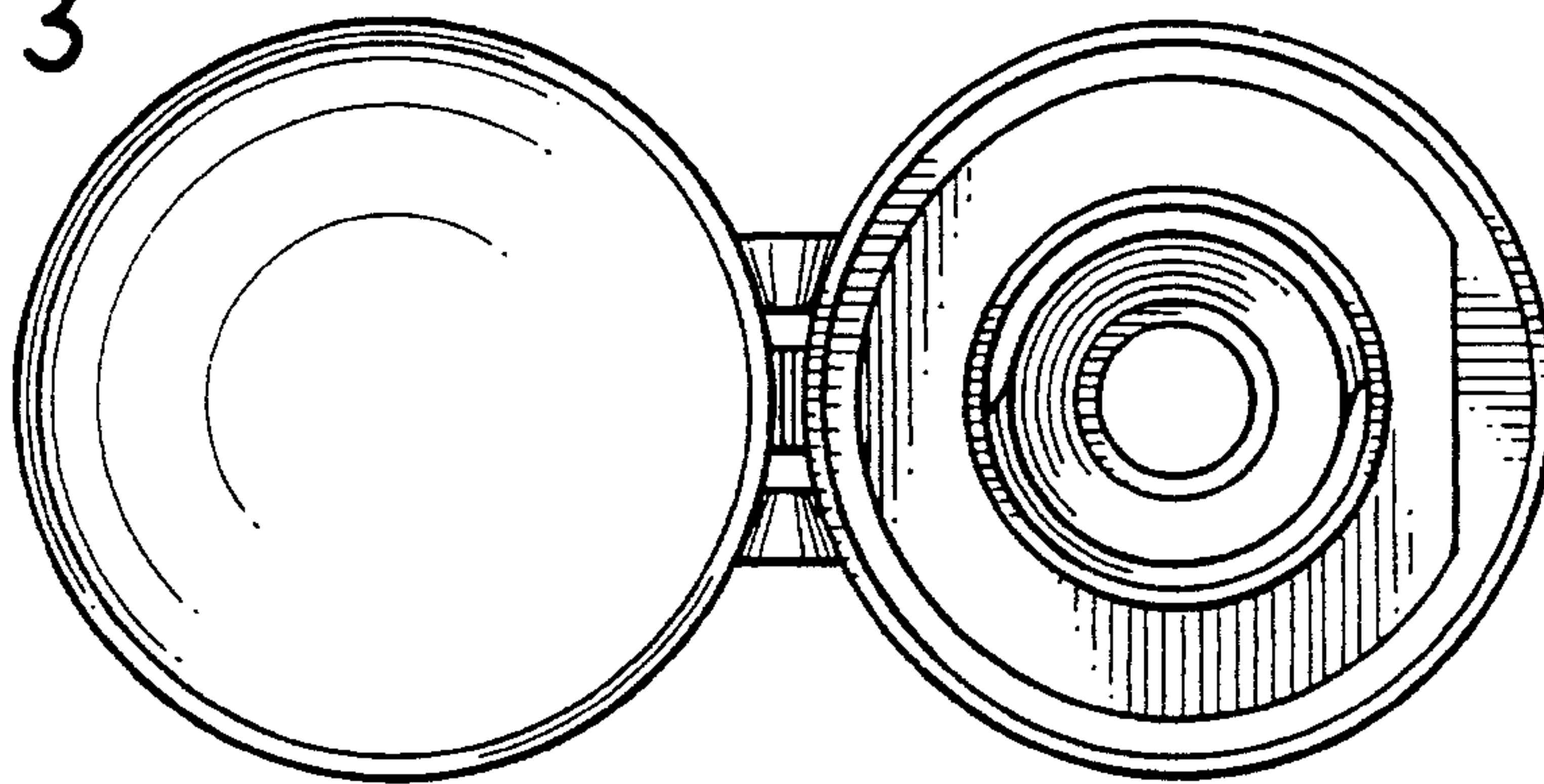


FIG. 4

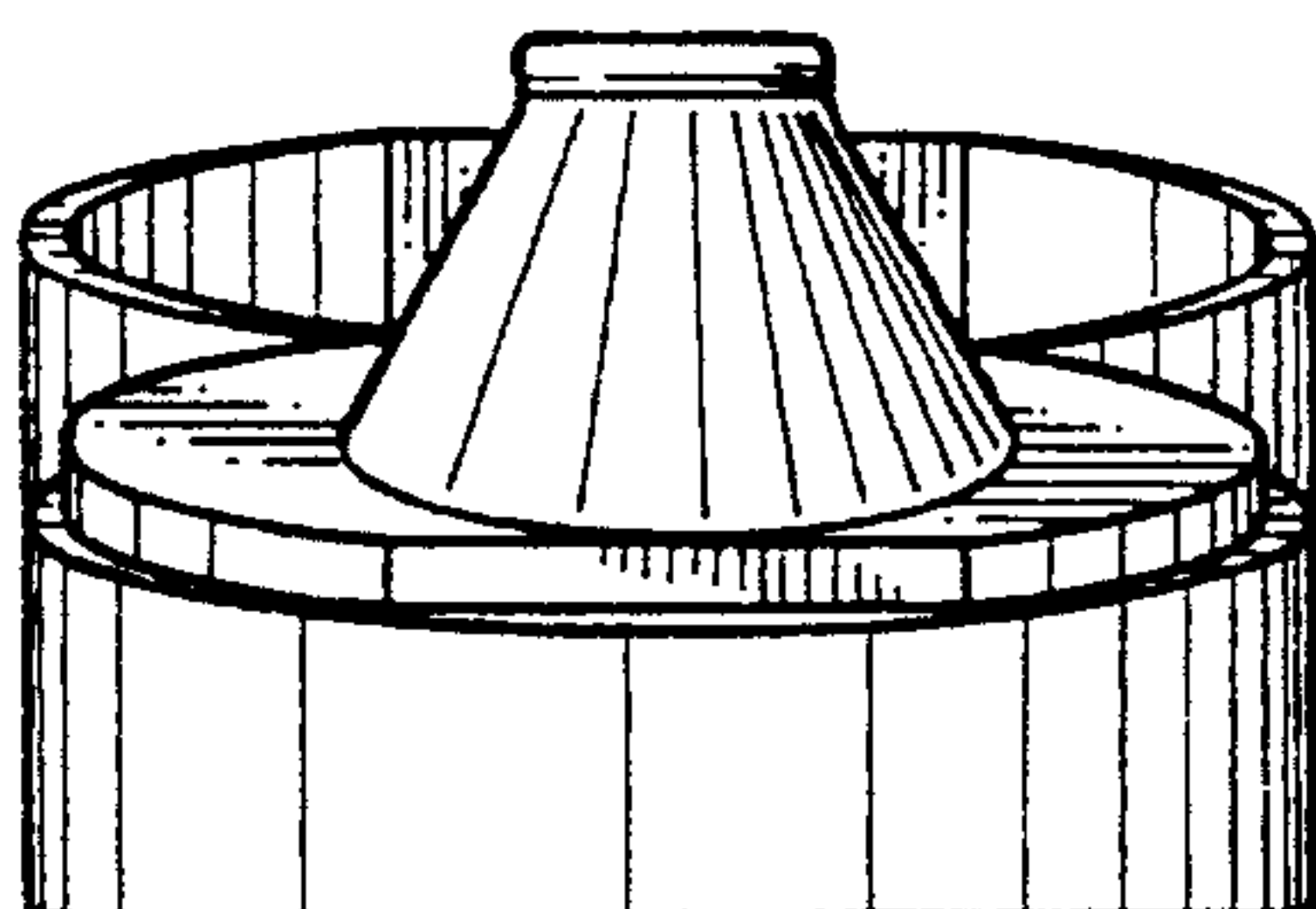


FIG. 5

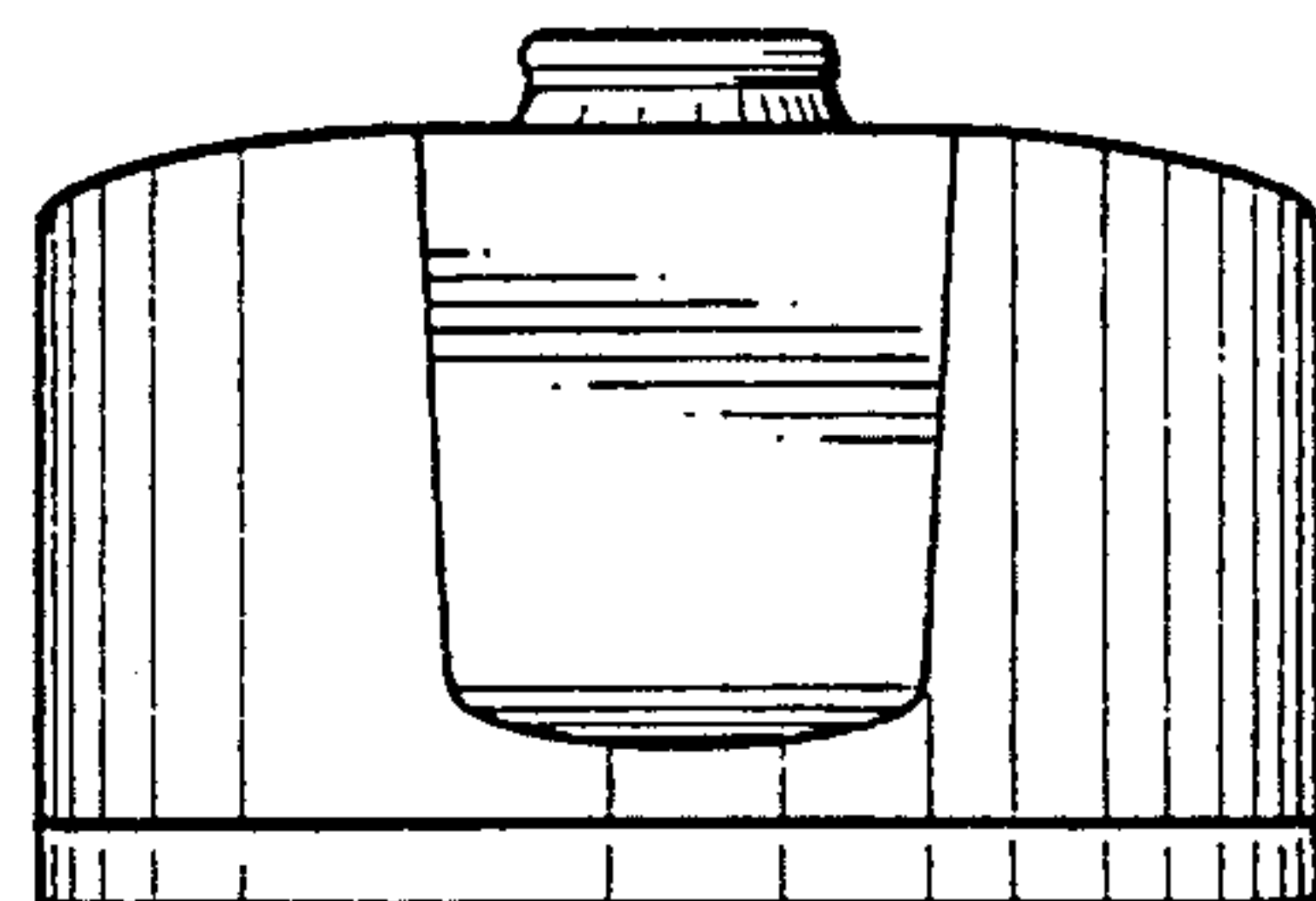


FIG. 6

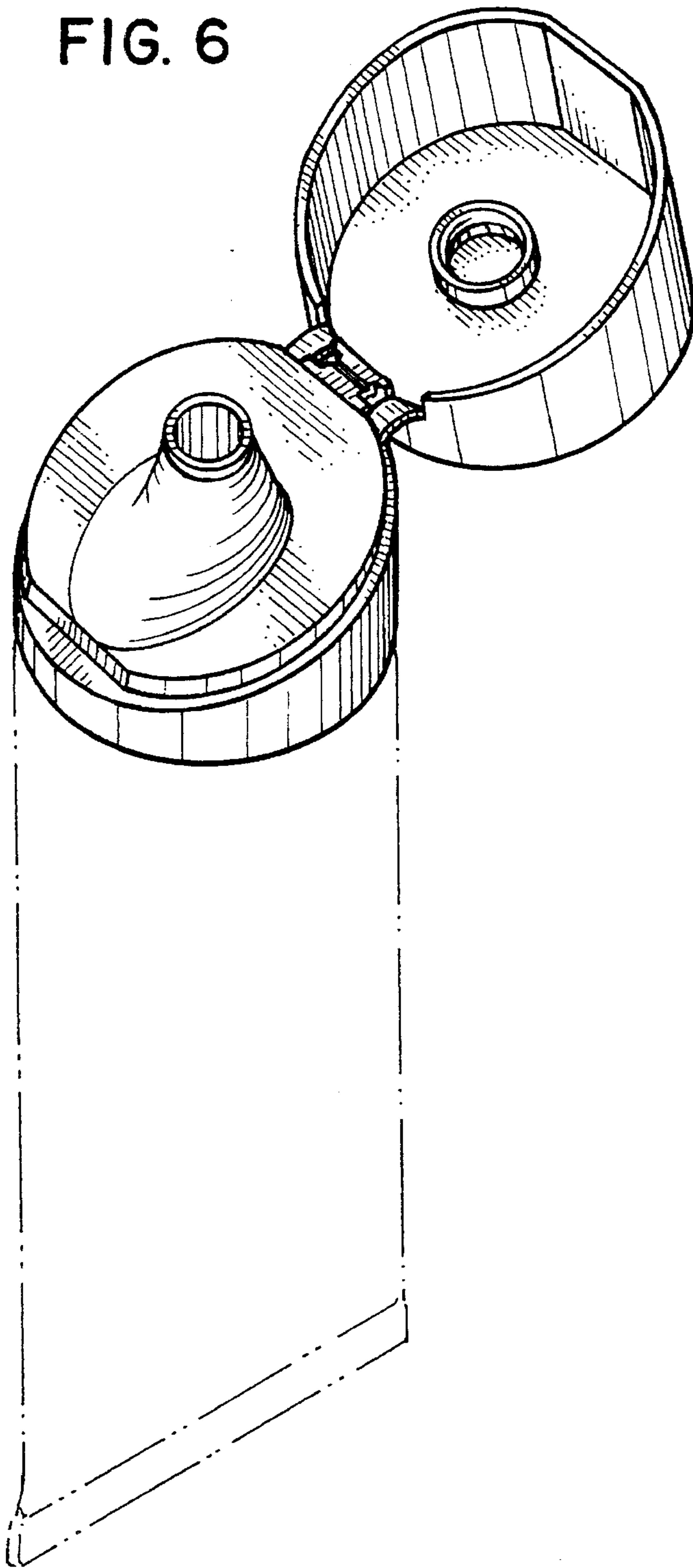


FIG. 7

