



US00D374398S

United States Patent [19]
Larson

[11] **Patent Number: Des. 374,398**

[45] **Date of Patent: **Oct. 8, 1996**

[54] **JEWELRY BOX**

[75] Inventor: **Peter M. Larson**, North Kingstown, R.I.

[73] Assignee: **K & M Associates**, Providence, R.I.

[**] Term: **14 Years**

[21] Appl. No.: **33,373**

[22] Filed: **Jan. 11, 1995**

[52] U.S. Cl. **D9/334**

[58] Field of Search D9/334, 307, 420-423, D9/432; D3/294, 270, 903; 206/457, 6.1, 581, 823; D28/83

[56] **References Cited**

U.S. PATENT DOCUMENTS

D. 281,549	12/1985	Minsky	D9/334 X
D. 330,832	11/1992	Goodman	D9/334 X
D. 333,264	2/1993	Kaplan	D9/420
3,390,809	7/1968	Becucci	D9/423 X
4,452,373	6/1984	Pearce et al.	D28/83 X
4,566,592	1/1986	Klukos	206/232 X
4,726,509	2/1988	Fonas	206/457 X
5,004,144	4/1991	Selga	206/457 X

Primary Examiner—Prabhakar G. Deshmukh

Assistant Examiner—Cheri Cohen

Attorney, Agent, or Firm—Salter & Michaelson

[57] **CLAIM**

The ornamental design for a jewelry box, as shown and described.

DESCRIPTION

FIG. 1 is a perspective view of a jewelry box showing my new design;

FIG. 2 is a perspective view showing the box in an open position;

FIG. 3 is an end elevation view thereof; the opposite end being a mirror image;

FIG. 4 is a front elevation view thereof;

FIG. 5 is a rear elevation view thereof;

FIG. 6 is a top plan view thereof;

FIG. 7 is a bottom plan view thereof;

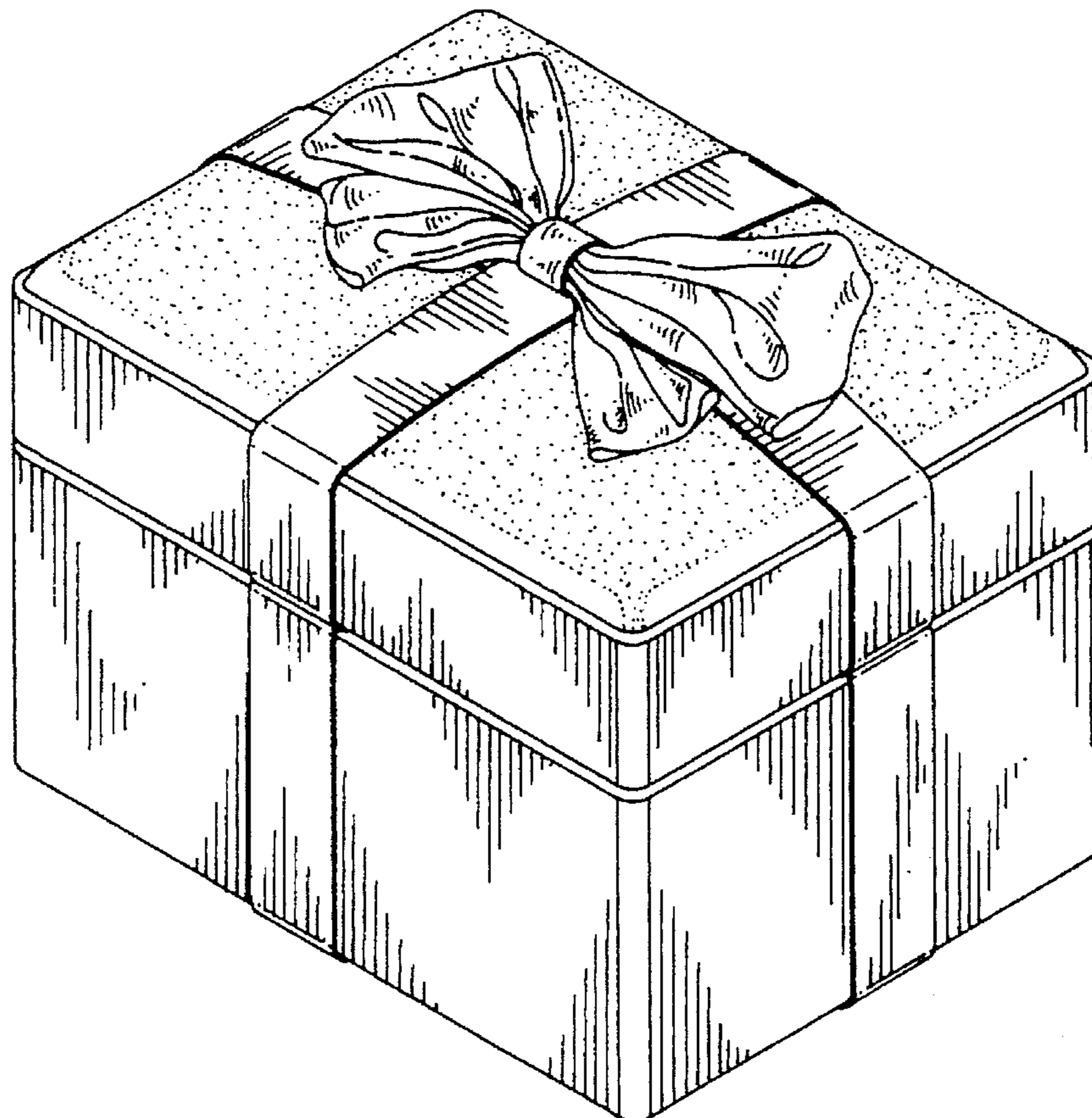
FIG. 8 is a front perspective view of a second alternate embodiment;

FIG. 9 is a rear perspective view thereof;

FIG. 10 is a front perspective view of a third alternate embodiment; and,

FIG. 11 is a rear perspective view thereof.

1 Claim, 4 Drawing Sheets



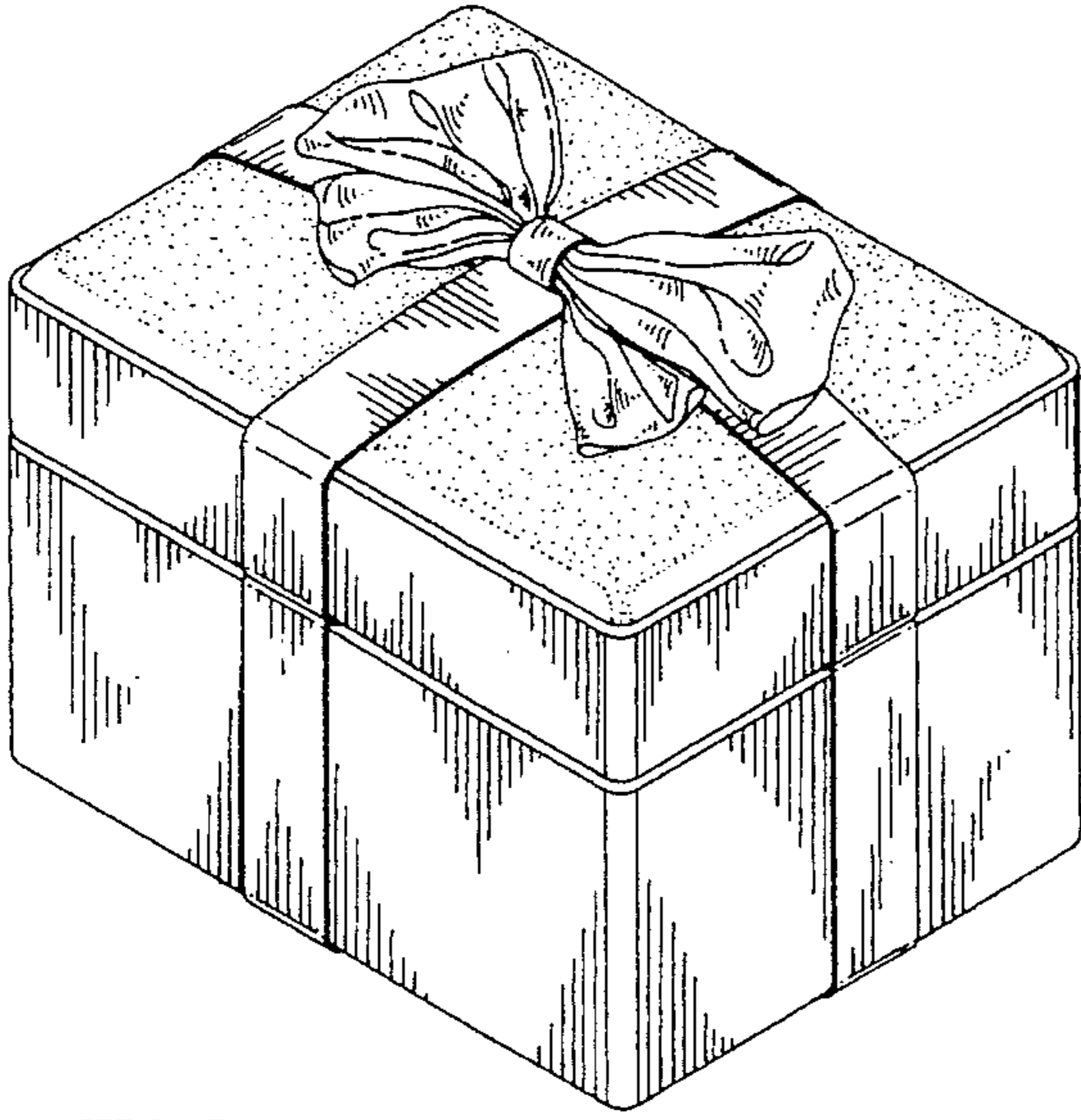


FIG. 1

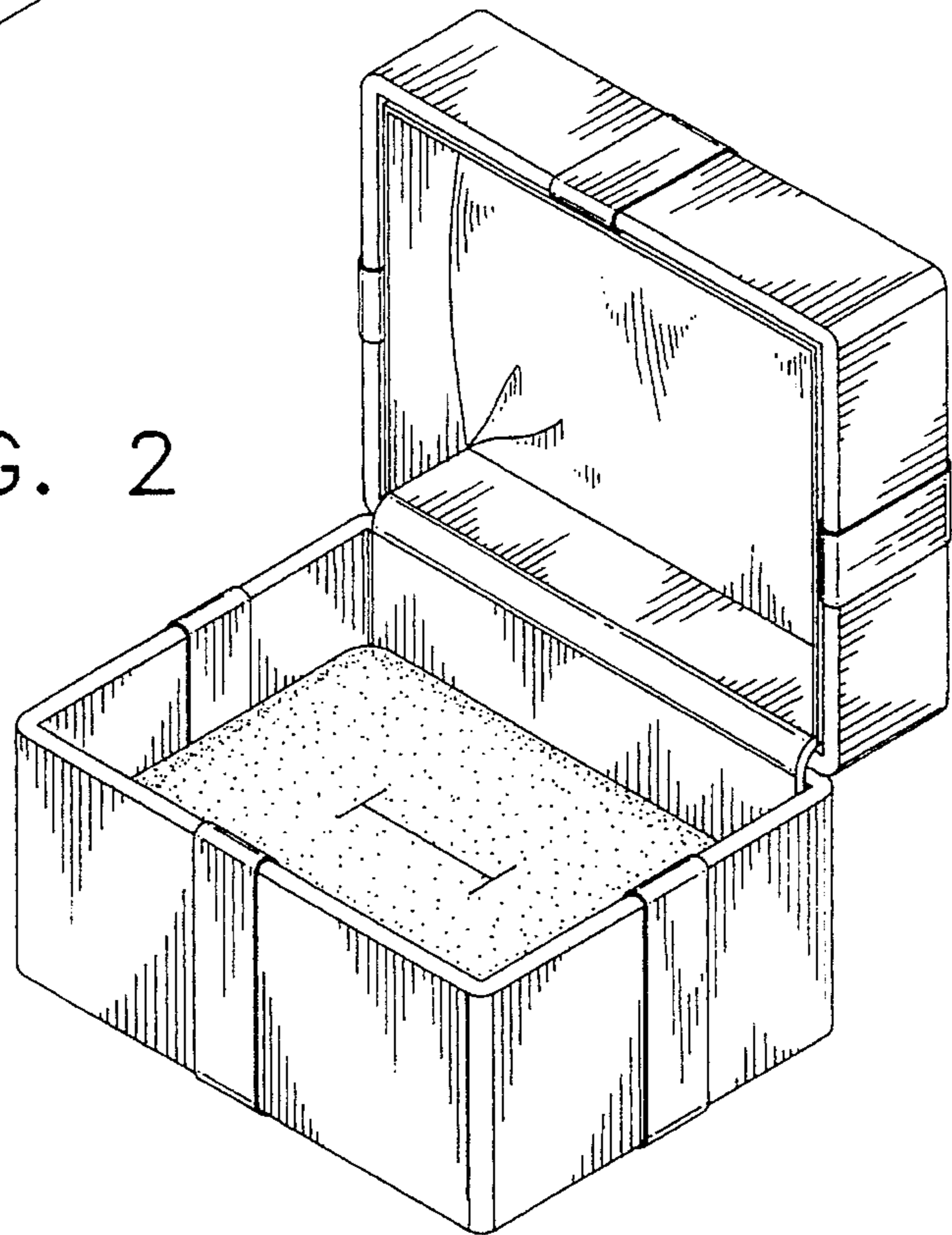


FIG. 2

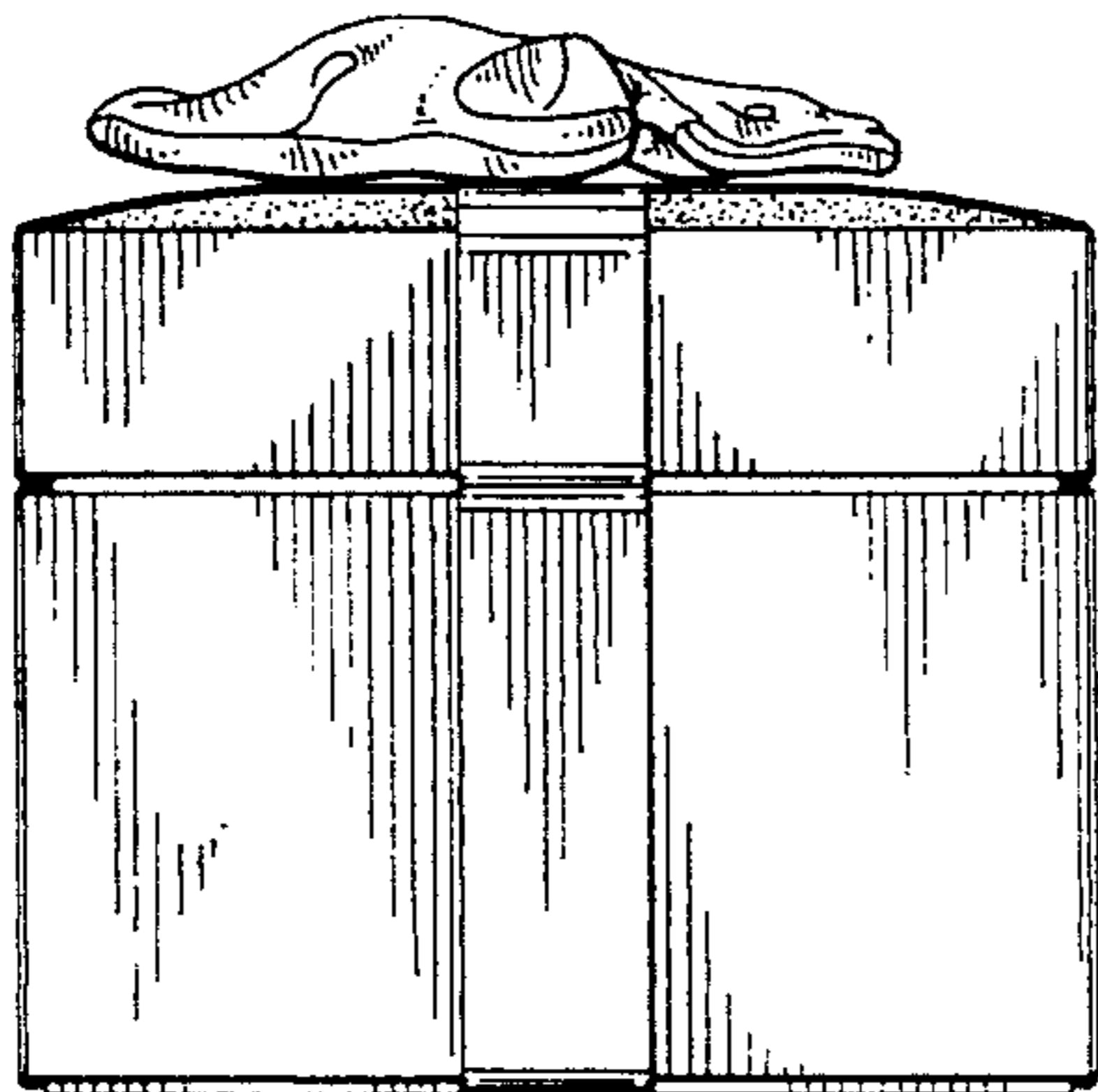


FIG. 3

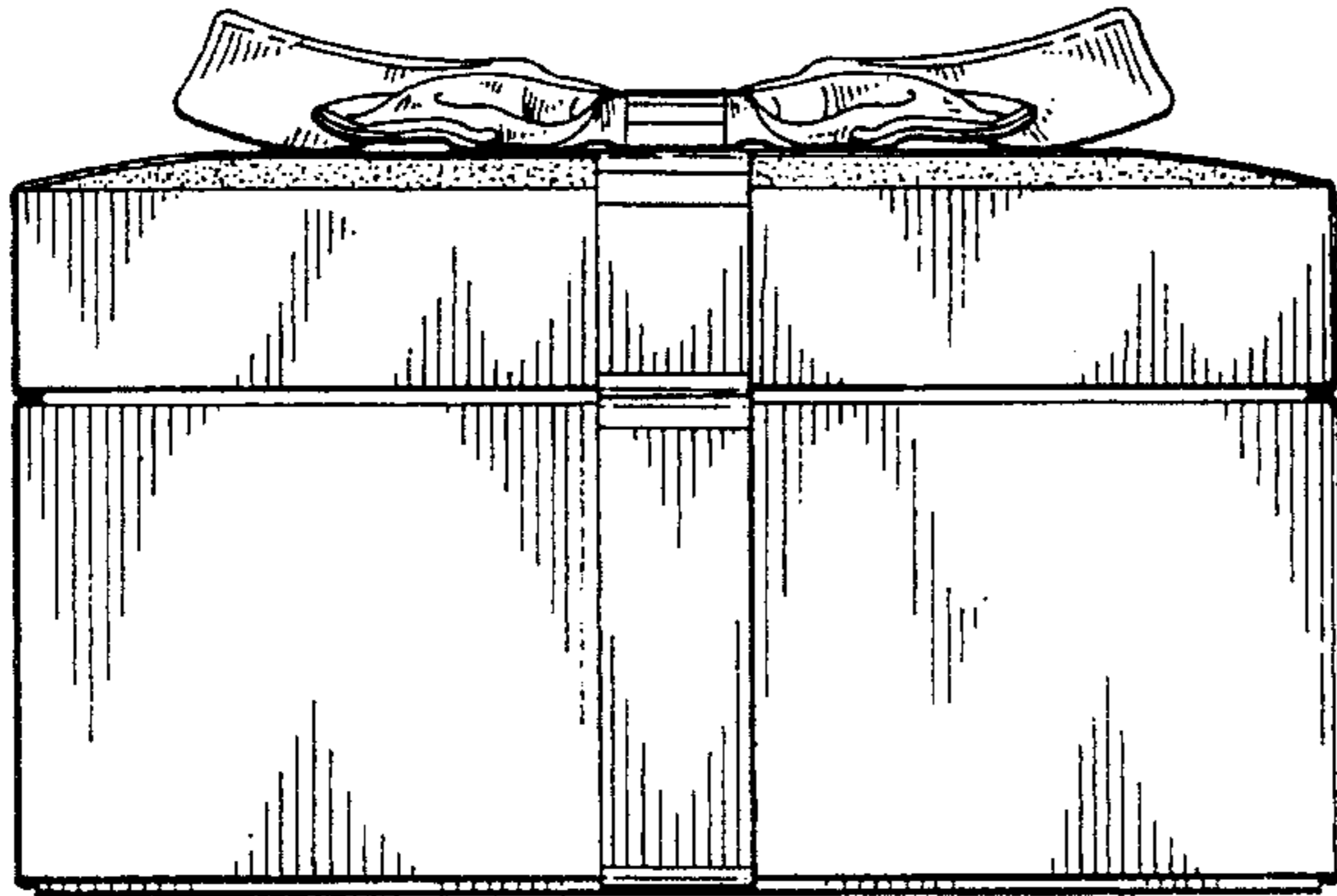


FIG. 4

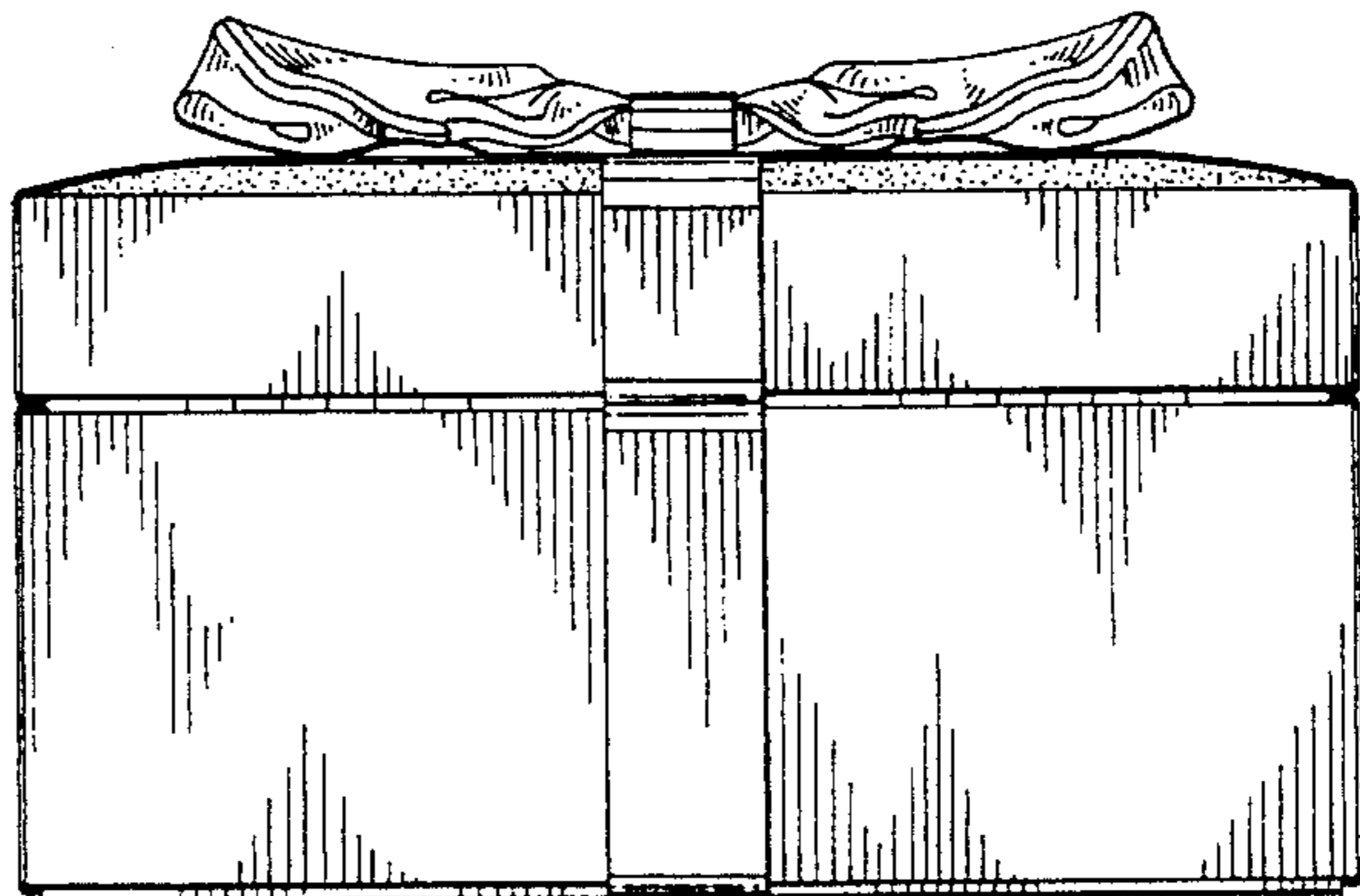


FIG. 5

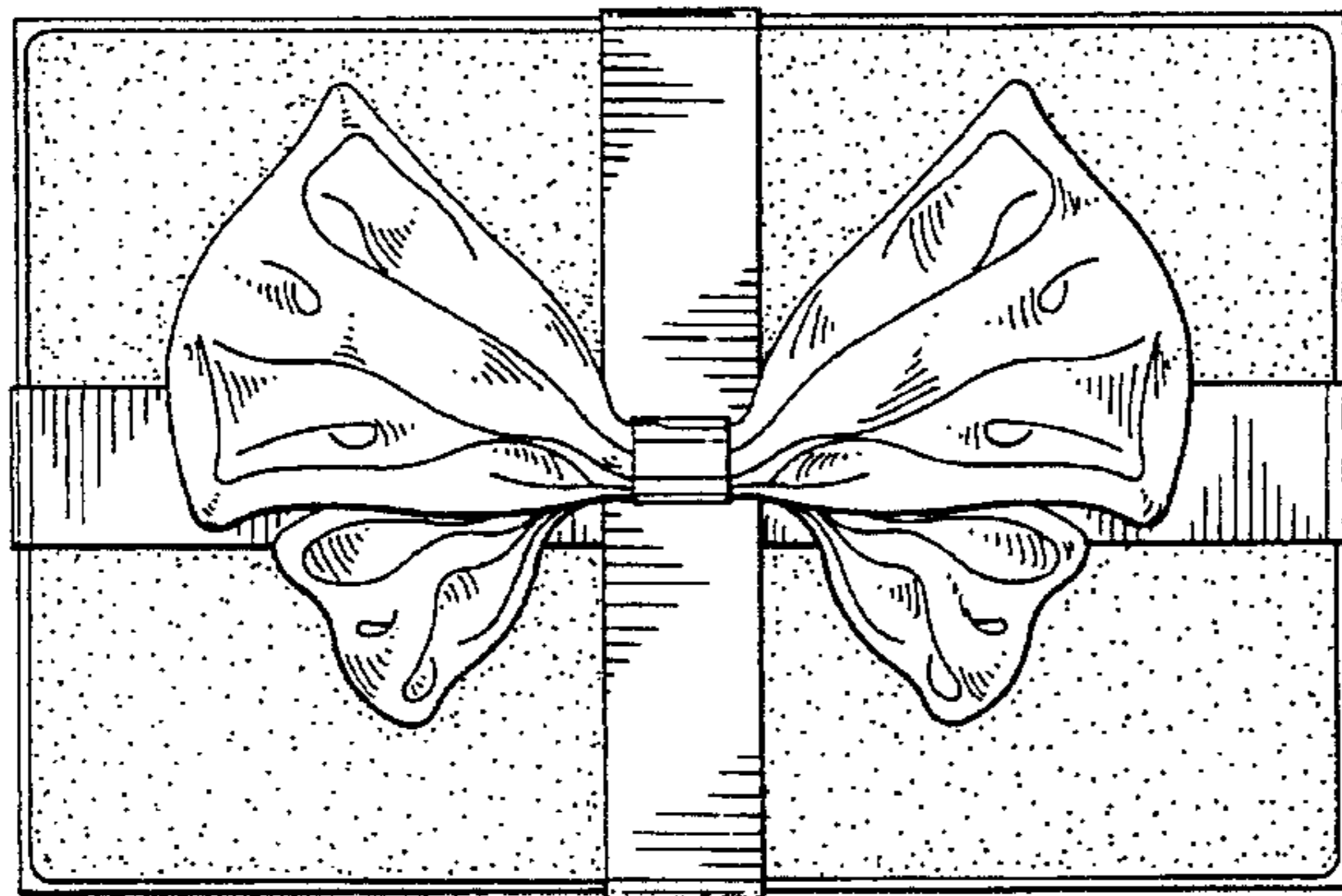


FIG. 6

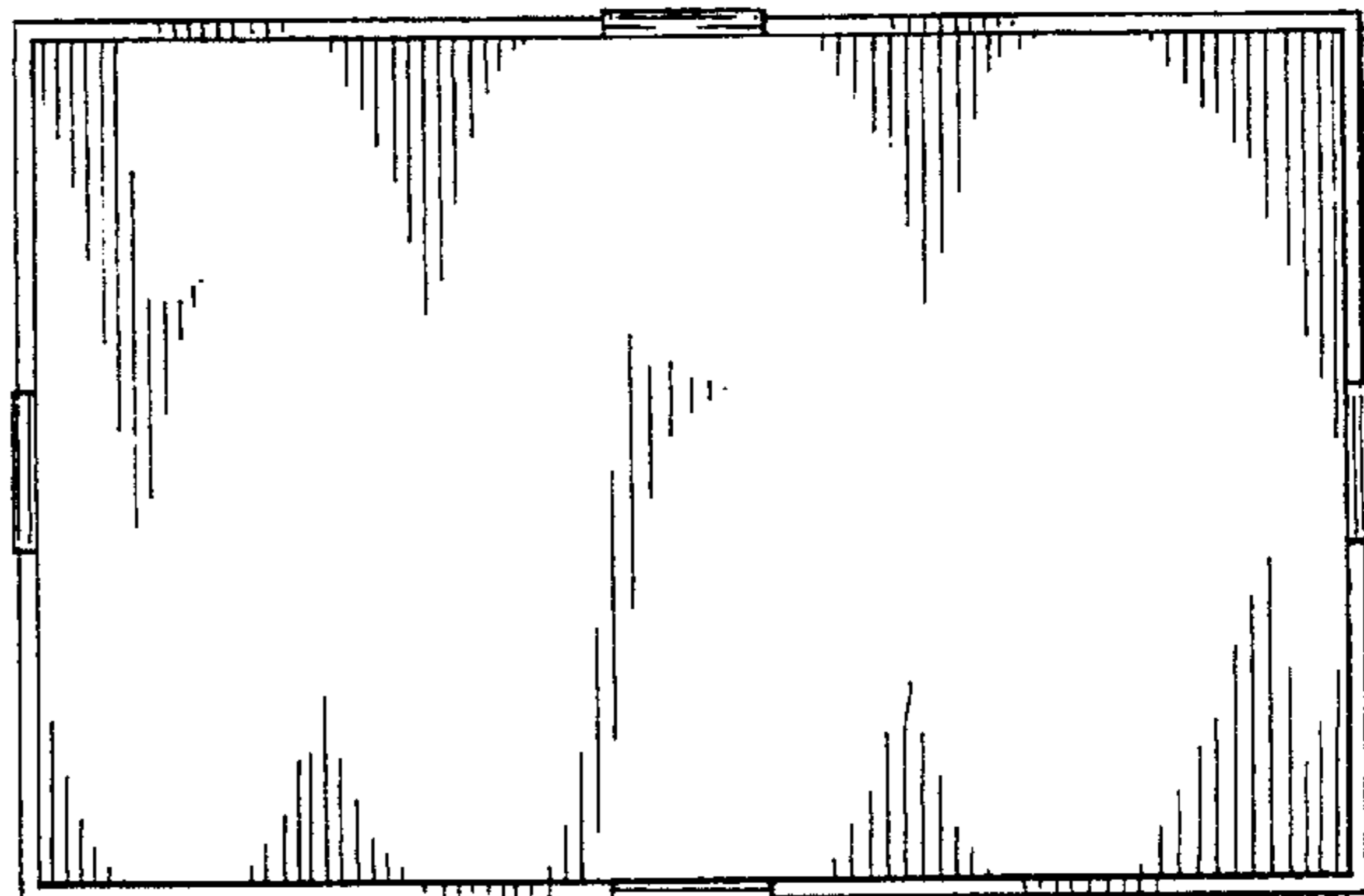


FIG. 7

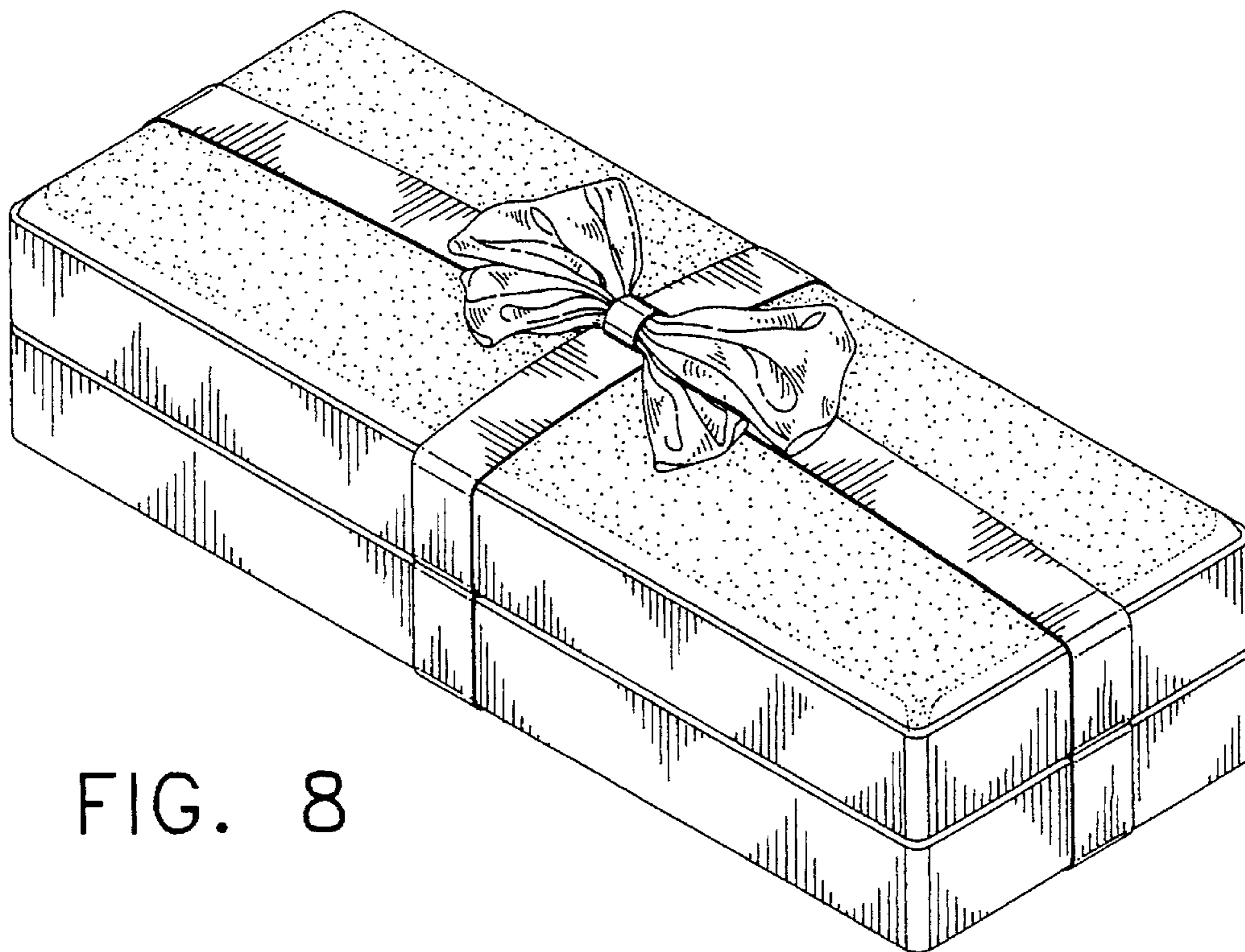


FIG. 8

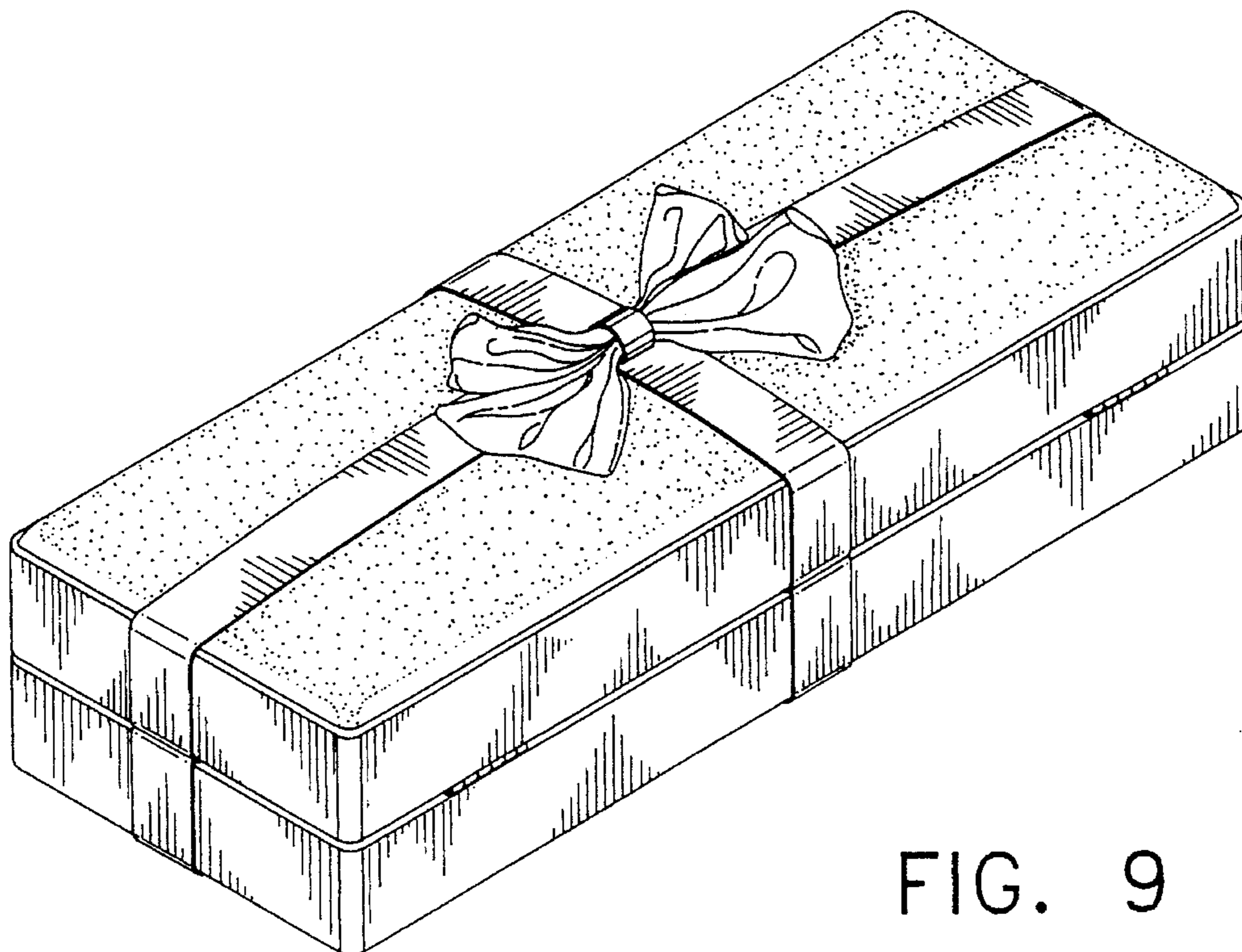


FIG. 9

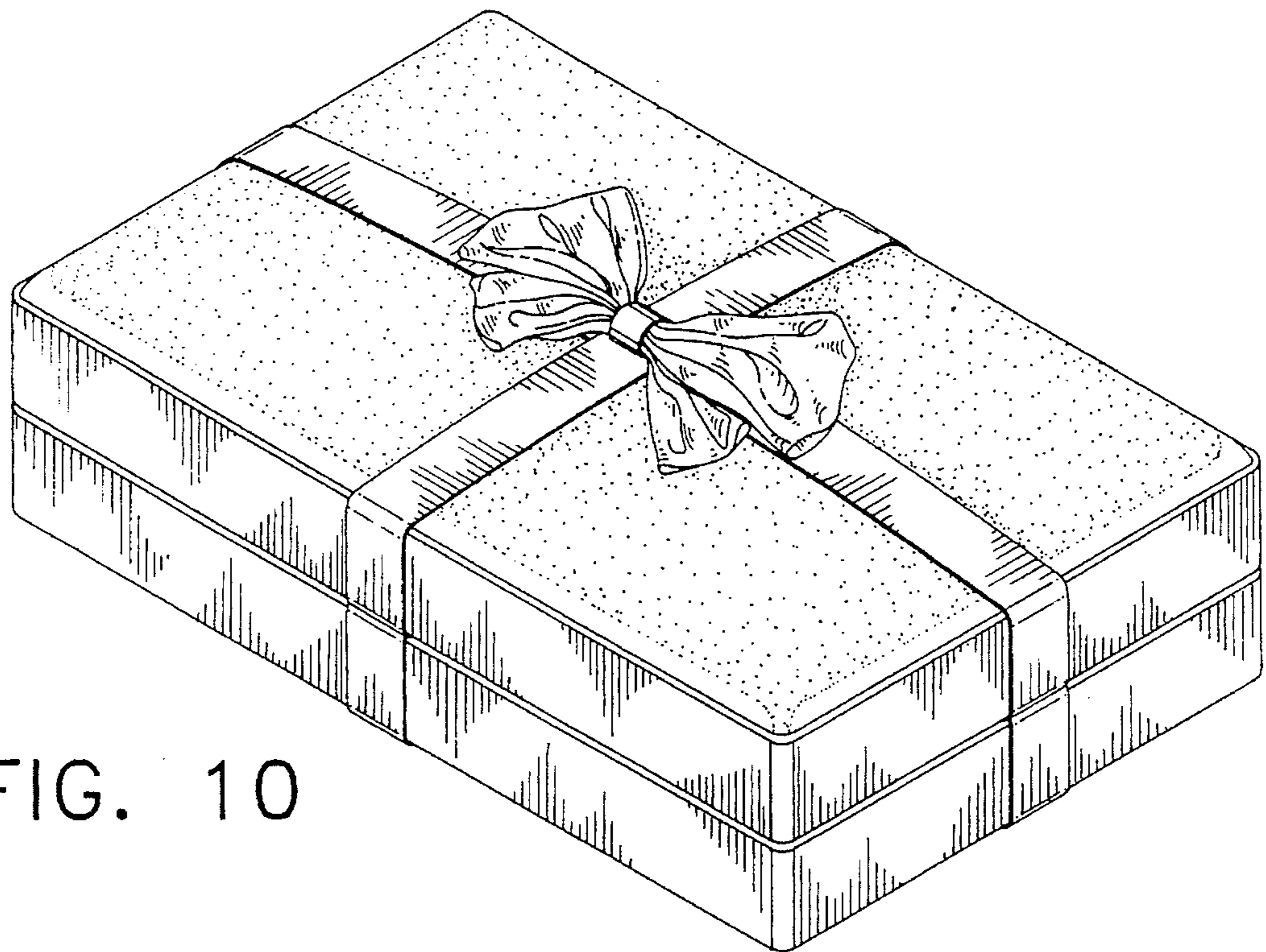


FIG. 10

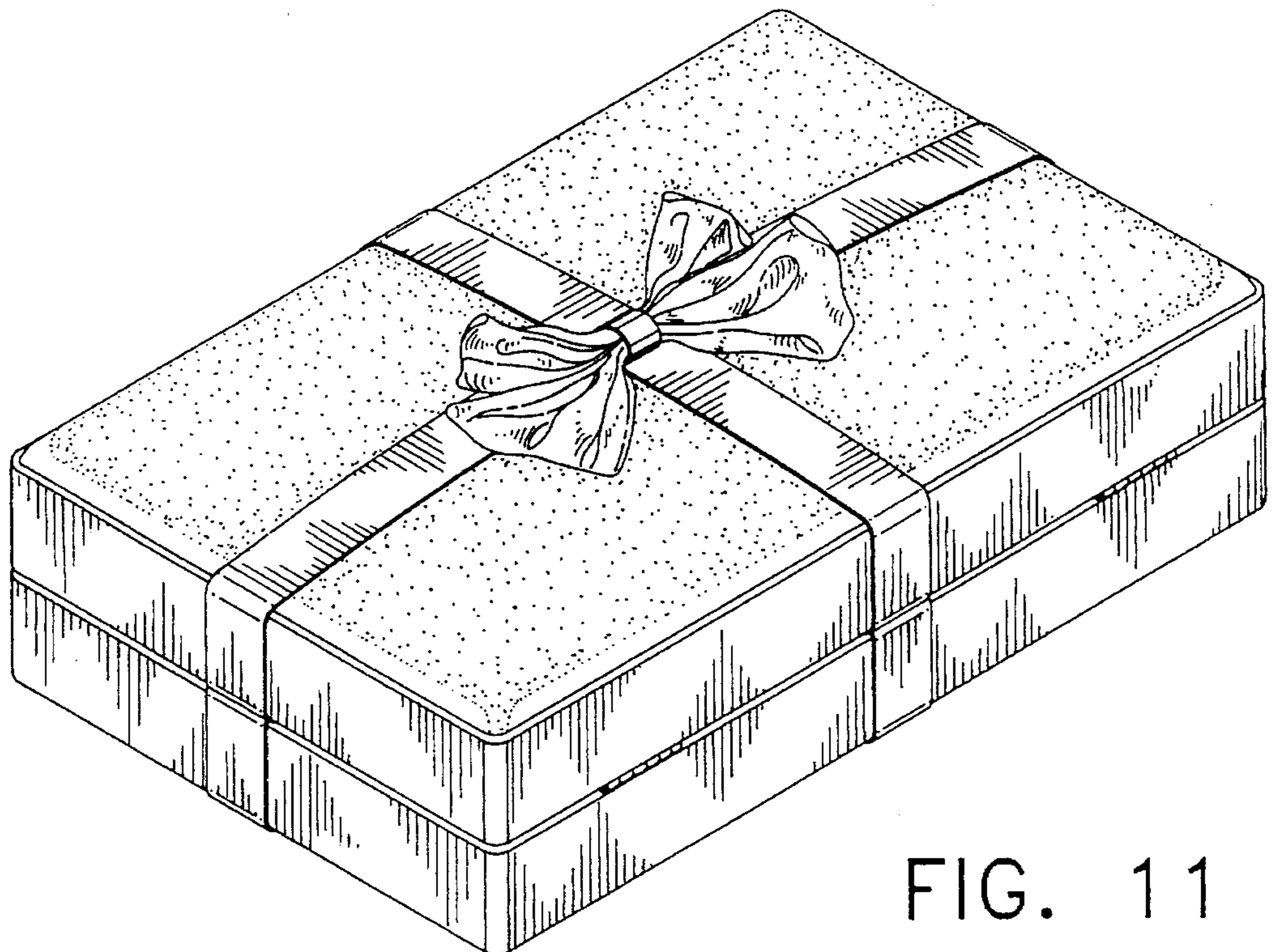


FIG. 11