



US00D374394S

United States Patent [19]

Lynch et al.

[11] Patent Number: **Des. 374,394**

[45] Date of Patent: ****Oct. 8, 1996**

[54] COUPLING EYE FOR A WINDOW OPERATOR

[75] Inventors: **Michael J. Lynch**, Wellington; **Rana J. Waitai**, Auckland, both of New Zealand

[73] Assignee: **Interlock Industries Limited**, Wellington, New Zealand

[**] Term: **14 Years**

[21] Appl. No.: **32,437**

[22] Filed: **Dec. 19, 1994**

[30] Foreign Application Priority Data

Jun. 23, 1994 [NZ] New Zealand 25993

[52] U.S. Cl. **D8/400**

[58] Field of Search D8/400, 499, 300, D8/301, 303, 382, 367, 368, 357; 49/461; 411/485, 400; 403/383, 268, 362, 79; 160/66-68, 312, 313, 177 R; 16/114 B, 127, 124, 125; 294/1.1, 15, 82.1, 86.42, 102.1; 81/121.1, 124.7, 177.5

[56] References Cited

U.S. PATENT DOCUMENTS

D. 33,373 10/1900 Bidle D8/367

D. 268,323 3/1983 Schaumloffel D8/307 X

1,282,028 10/1918 Bellows 81/121.1

1,946,050 2/1934 Werner 49/356 X

2,143,985 1/1939 Kellems 403/268 X

2,669,894 2/1954 Kassel 81/121.1 X

4,262,951 4/1981 Hoyer 294/82.1 X

4,281,943 8/1981 Viennot 403/268 X

5,248,176 9/1993 Fredriksson 294/1.1

FOREIGN PATENT DOCUMENTS

101652 2/1984 European Pat. Off. 16/127

246338 11/1987 European Pat. Off. 160/67

375493 6/1990 European Pat. Off. 160/66

2153676 5/1973 Germany 160/68

1959 of 1898 United Kingdom 403/362

OTHER PUBLICATIONS

Campbell Chain: Marine Products; Dec. 1980, p. 11; hitch pin on lower left.

Campbell Chain: Cat. No. BTB-2741 (1981); p. 51, Fitting "T".

Campbell Chain: Cat. No. F-3170 © 1982; 1) p. 20: eye on lower right 2) p. 27: 766-G Eye Nut.

Primary Examiner—Prabhakar G. Deshmukh
Assistant Examiner—C. Tuttle
Attorney, Agent, or Firm—Blakely, Sokoloff, Taylor & Zafman

[57] CLAIM

The ornamental design for a coupling eye for a window operator, as shown and described.

DESCRIPTION

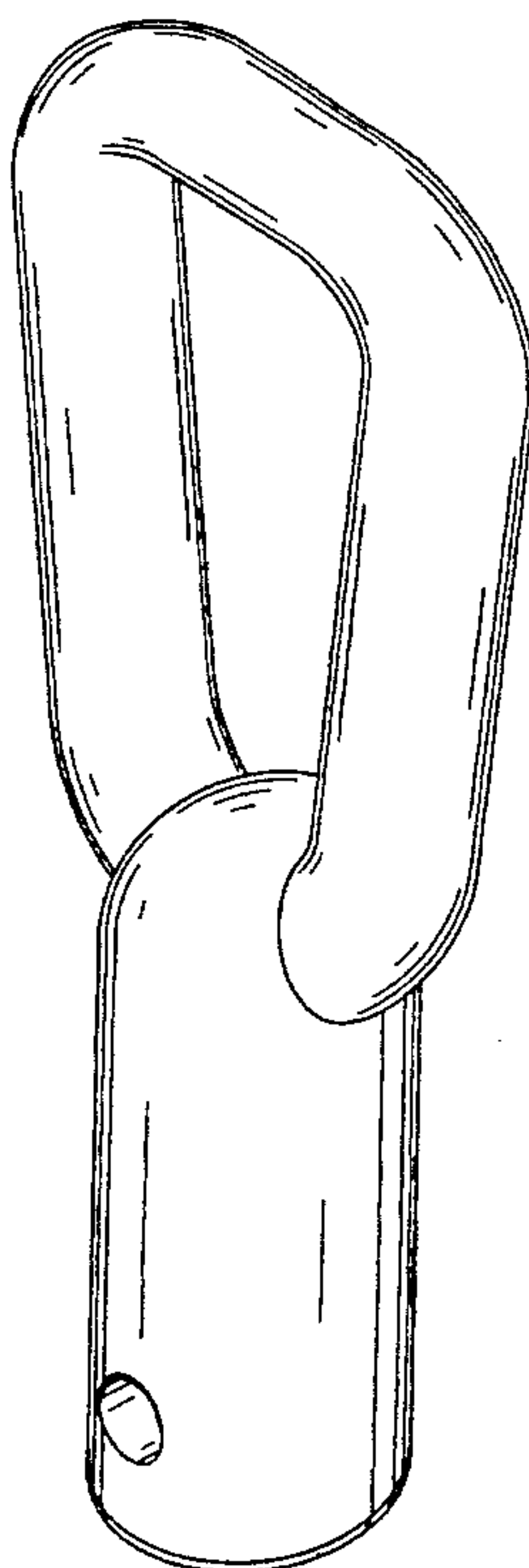
FIG. 1 is a perspective view of a coupling eye for a window operator showing our new design;

FIG. 2 is a front elevational view thereof, the side opposite being identical except for the appearance of the circular aperture;

FIG. 3 is a bottom plan view thereof; and,

FIG. 4 is a cross sectional view taken along line 4—4 of FIG. 3.

1 Claim, 2 Drawing Sheets



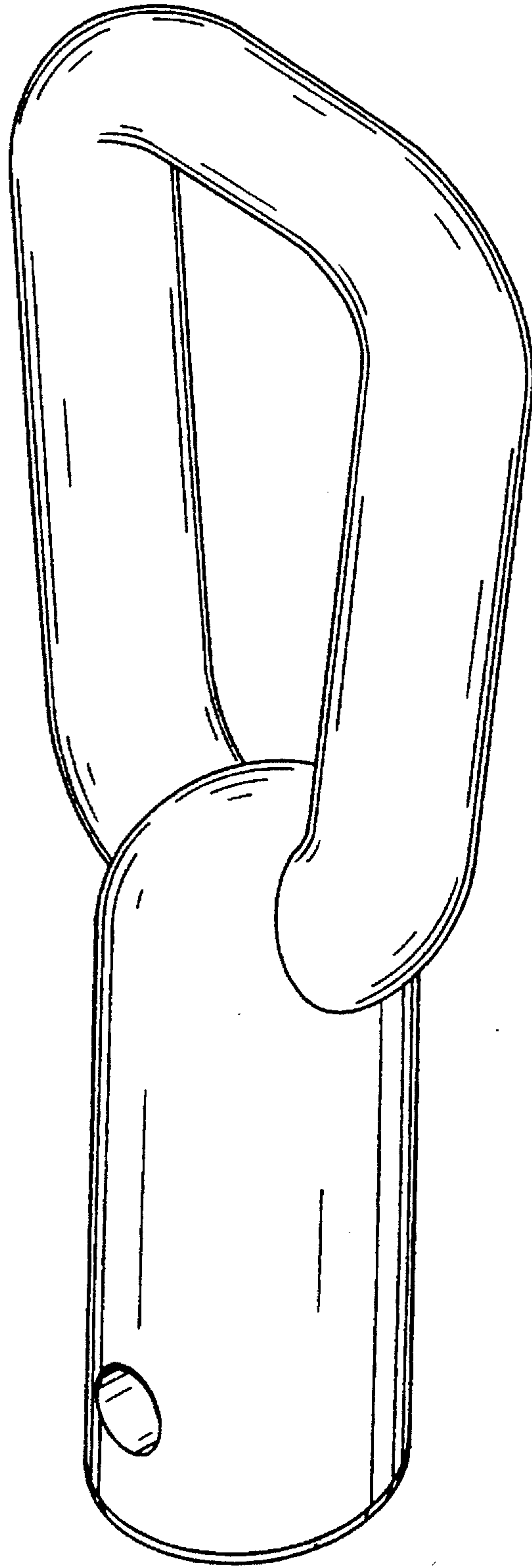


FIG. 1

FIG. 2

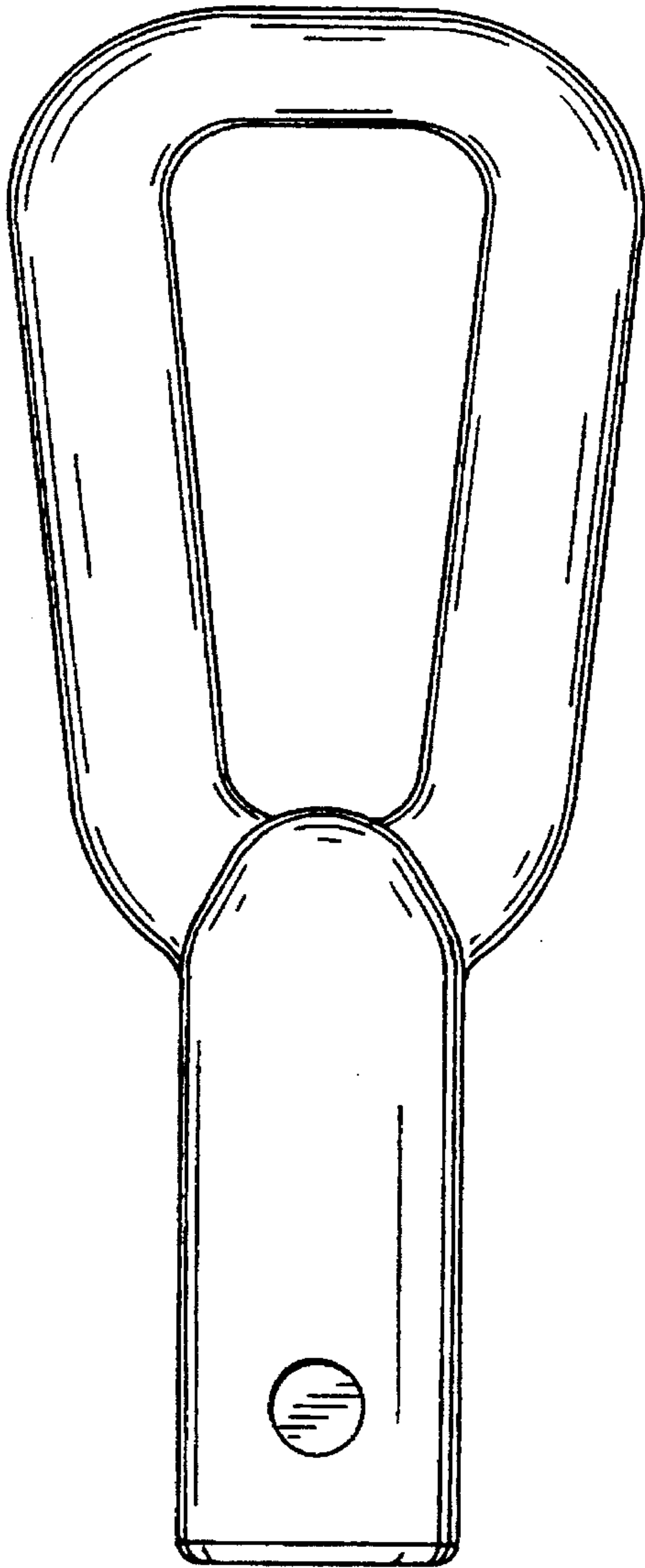


FIG. 4

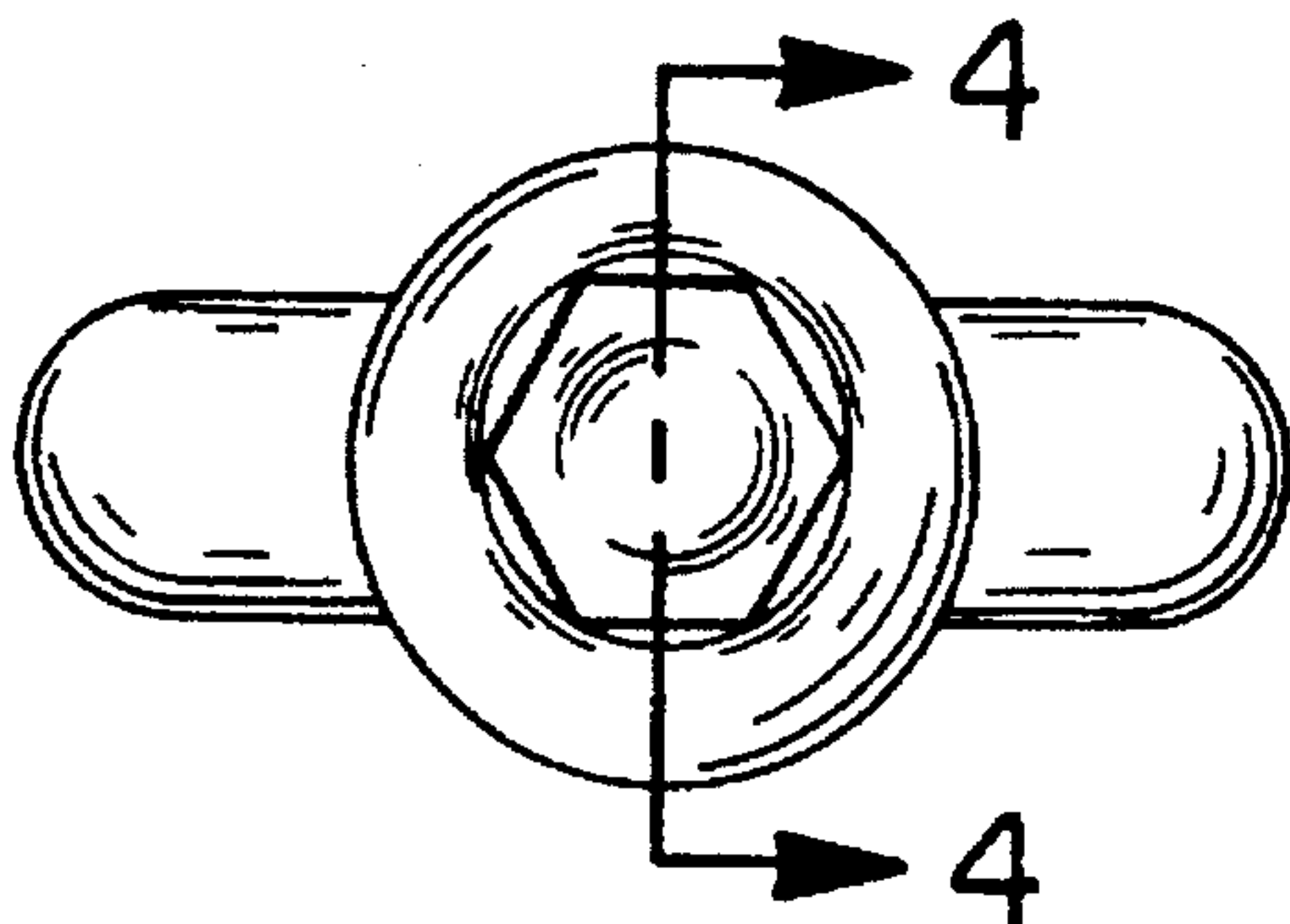
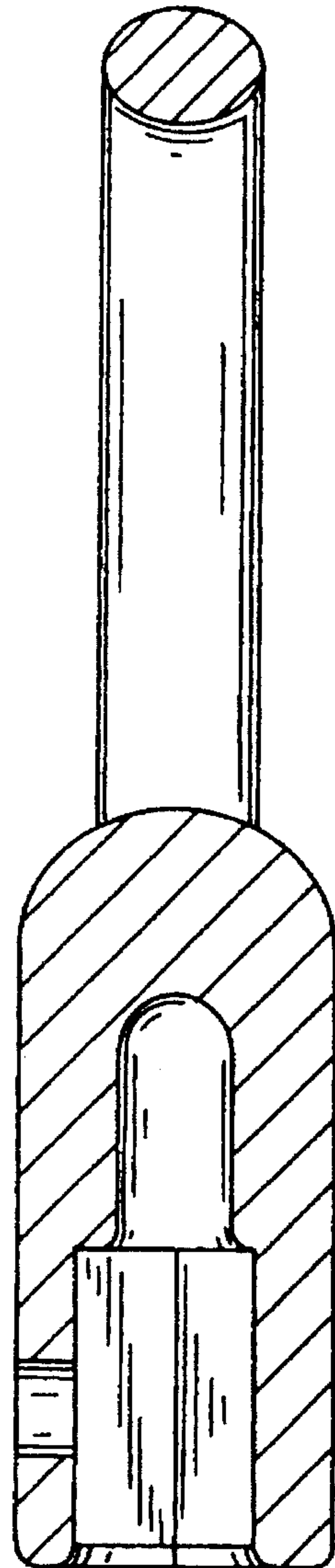


FIG. 3