



US00D374393S

United States Patent [19]
Beasley

[11] **Patent Number: Des. 374,393**
[45] **Date of Patent: **Oct. 8, 1996**

[54] **HAIR DRYER HOLDER**

[76] Inventor: **David E. Beasley**, 6367 S. Gray Ct.,
Littleton, Colo. 80123

[**] Term: **14 Years**

[21] Appl. No.: **41,843**

[22] Filed: **Jul. 3, 1995**

[52] U.S. Cl. **D8/373**

[58] Field of Search D8/373; 248/311.2,
248/309.1; 211/60.1, 63, 65-66

[56] **References Cited**

U.S. PATENT DOCUMENTS

D. 306,689	3/1990	Hamann	D8/373	X
4,696,447	9/1987	Strecker	248/309.1	X
5,149,040	9/1992	Heath	248/300	

Primary Examiner—Holly H. Baynham
Attorney, Agent, or Firm—Kyle W. Rost

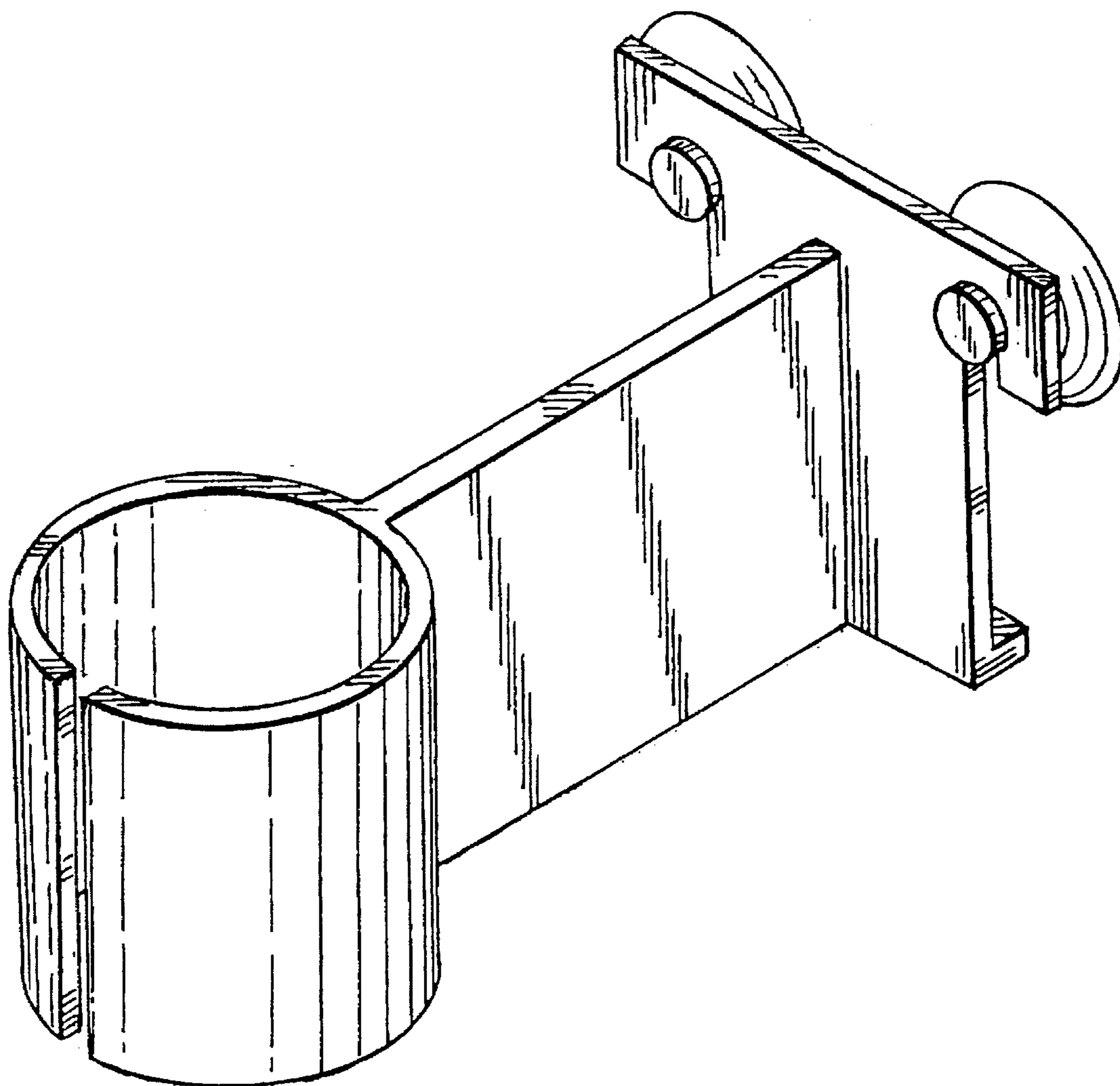
[57] **CLAIM**

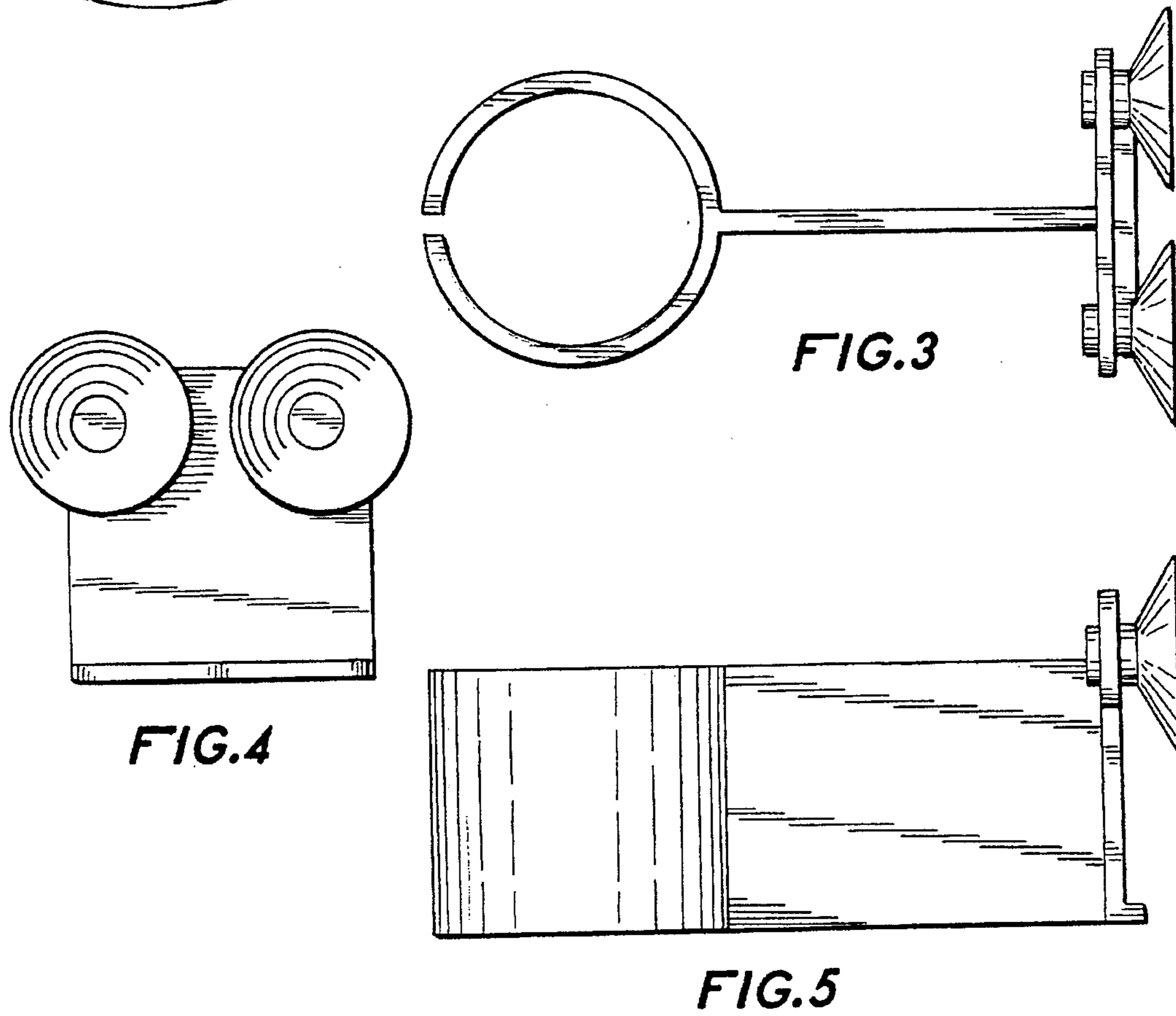
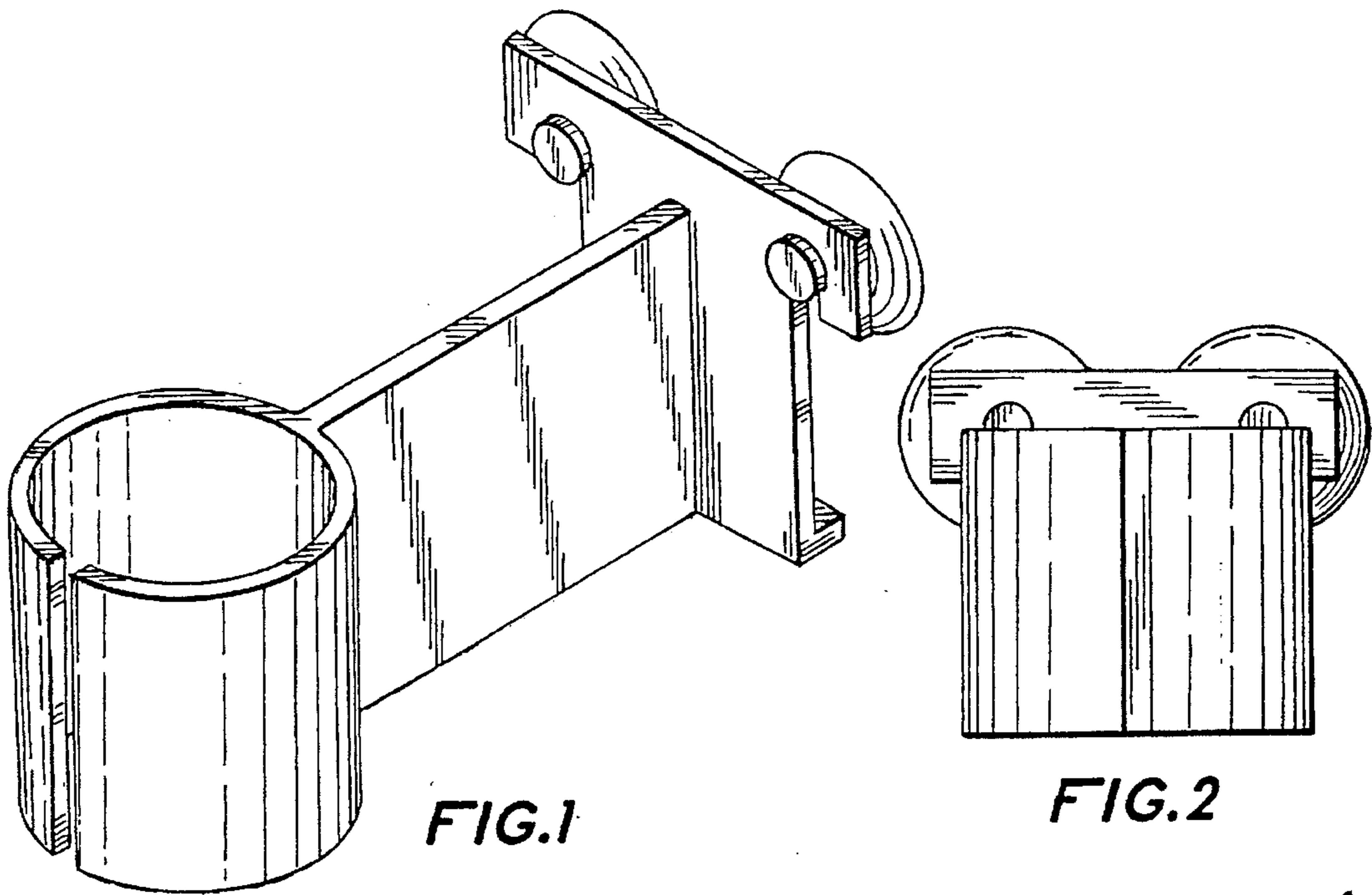
The ornamental design for a hair dryer holder, as shown.

DESCRIPTION

FIG. 1 is an isometric view of the hair dryer holder, showing my new design;
FIG. 2 is a front elevational view thereof;
FIG. 3 is a top plan view thereof;
FIG. 4 is a rear view thereof;
FIG. 5 is a right side elevational view thereof, the left side elevational view being a mirror image thereof;
FIG. 6 is a top plan view of a variation thereof;
FIG. 7 is a right side elevational view of the variation of FIG. 6, the left side elevational view being a mirror image thereof;
FIG. 8 is a front elevational view of the variation of FIG. 6; and,
FIG. 9 is a rear elevational view of the variation of FIG. 6.

1 Claim, 2 Drawing Sheets





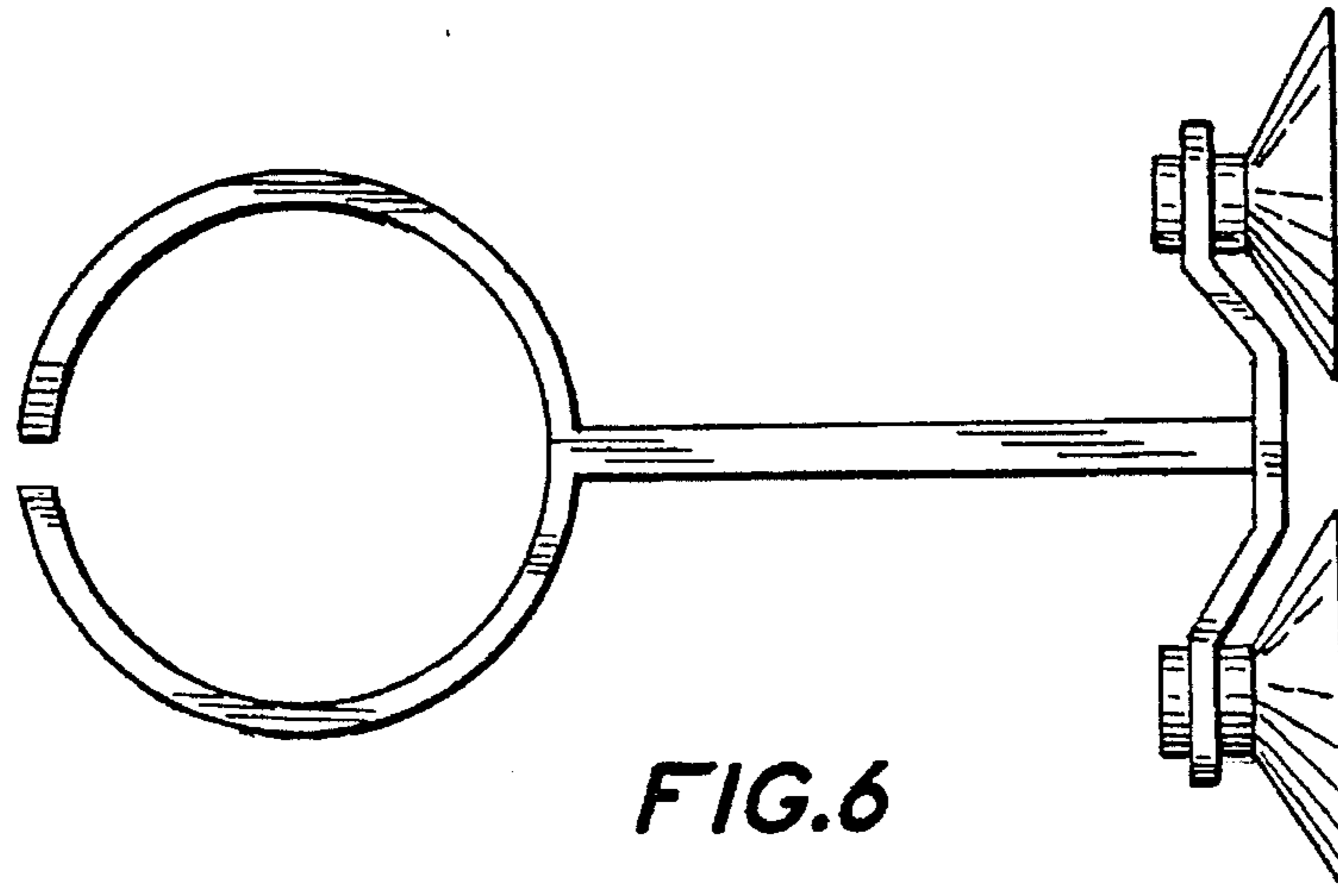


FIG. 6

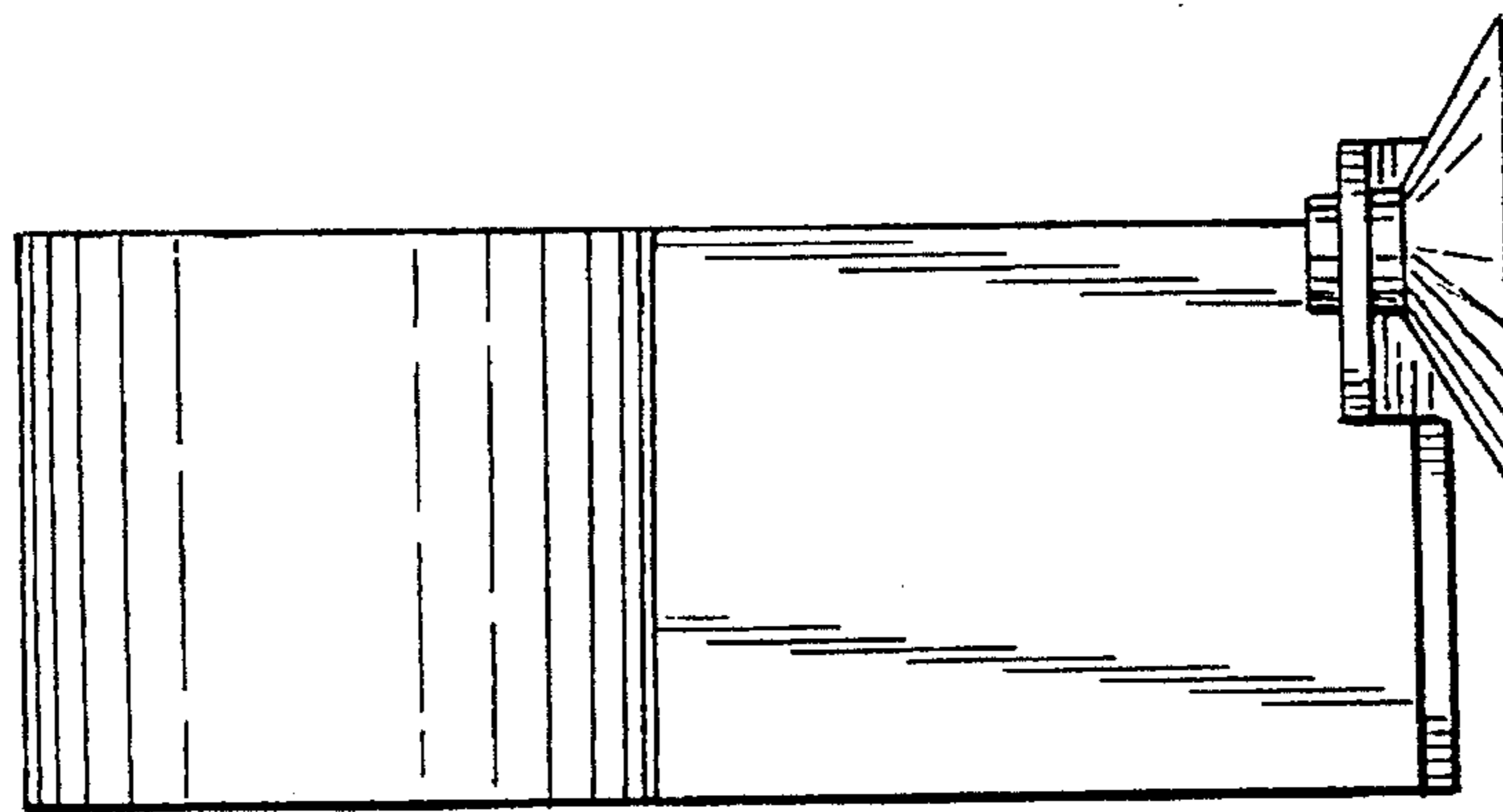


FIG. 7

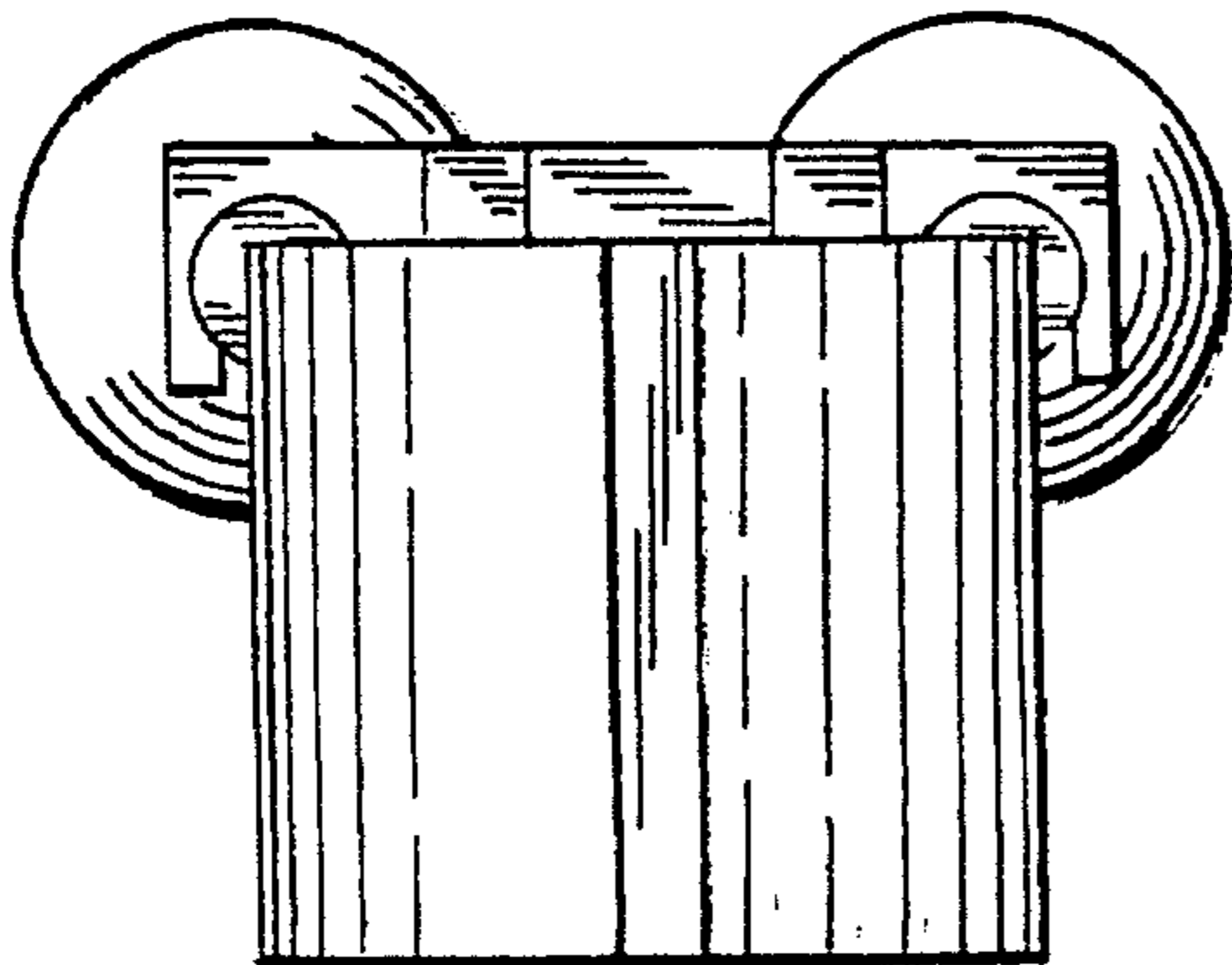


FIG. 8

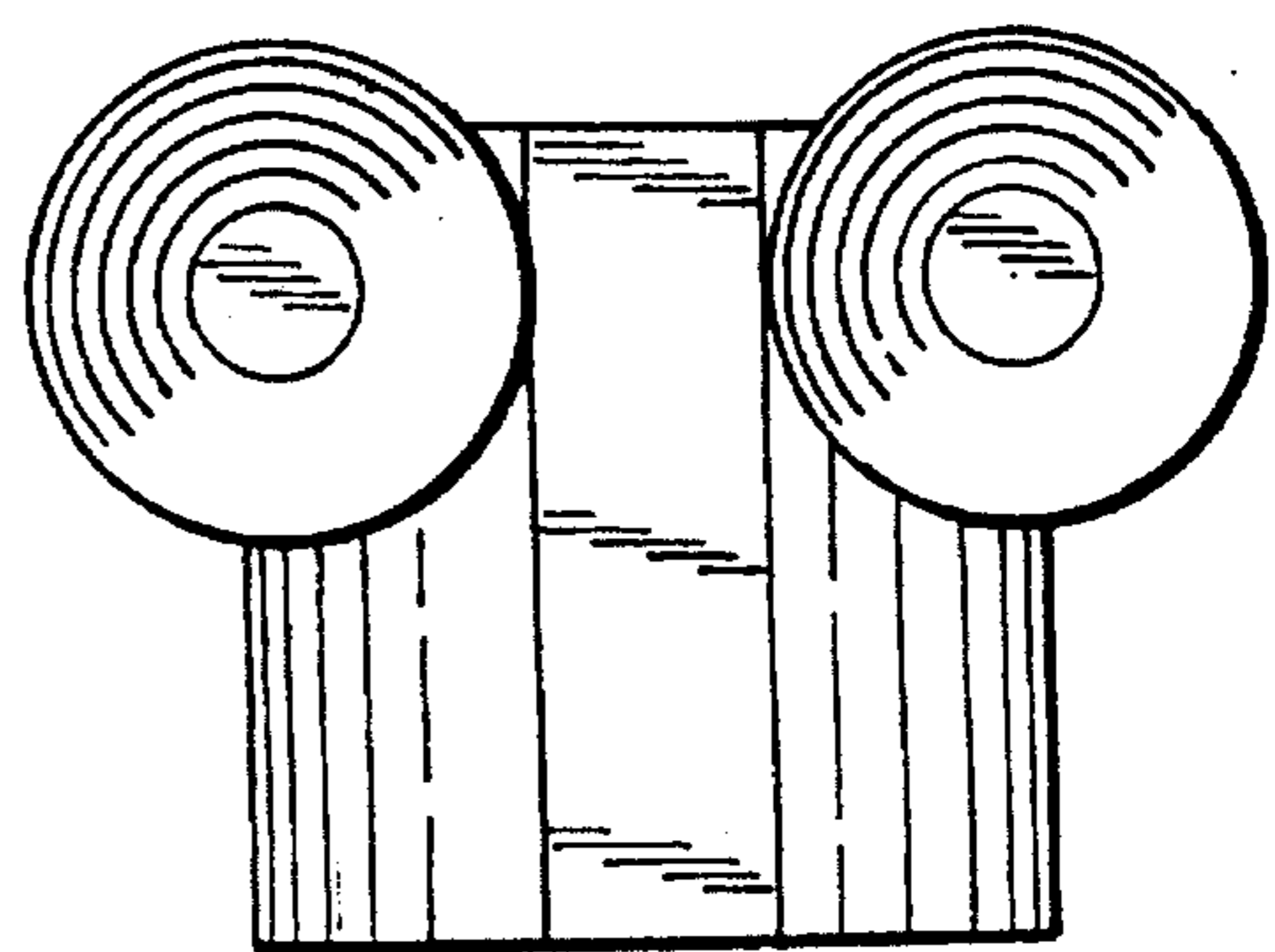


FIG. 9