



US00D374391S

United States Patent [19]

Mele

[11] Patent Number: **Des. 374,391**

[45] Date of Patent: ****Oct. 8, 1996**

[54] **PAIR OF HINGES FOR A REVERSIBLE LID**

[76] Inventor: **Peter C. Mele**, P.O. Box 533, Crown Point, N.Y. 12928

[**] Term: **14 Years**

[21] Appl. No.: **35,326**

[22] Filed: **Feb. 24, 1995**

[52] U.S. Cl. **D8/323**

[58] Field of Search D8/323, 327; 16/231, 16/232, 267; 220/333

[56] **References Cited**

U.S. PATENT DOCUMENTS

1,925,798	9/1933	Epton et al.	16/232
3,685,093	8/1972	Sanders et al.	16/231
4,688,305	8/1987	MacKirdy	16/266 X
5,144,720	9/1992	Aihara et al.	16/231 X

FOREIGN PATENT DOCUMENTS

27006	4/1931	Australia	16/232
231038	7/1944	Switzerland	16/267
11370	of 1912	United Kingdom	16/267

Primary Examiner—Ted Shooman
Assistant Examiner—C. Tuttle

[57] **CLAIM**

The ornamental design for “a pair of hinges for a reversible lid”, as shown and described.

DESCRIPTION

FIG. 1 is a side elevational view of a pair of hinges for a reversible lid showing my new design in use, the broken line showing of the box and lid being for illustrative purposes and forming no part of the claimed design;

FIG. 2 is a top perspective view of the left hinge unit shown separately for ease of illustration, the right hinge unit being a mirror image of the left;

FIG. 3 is a front elevational view thereof;

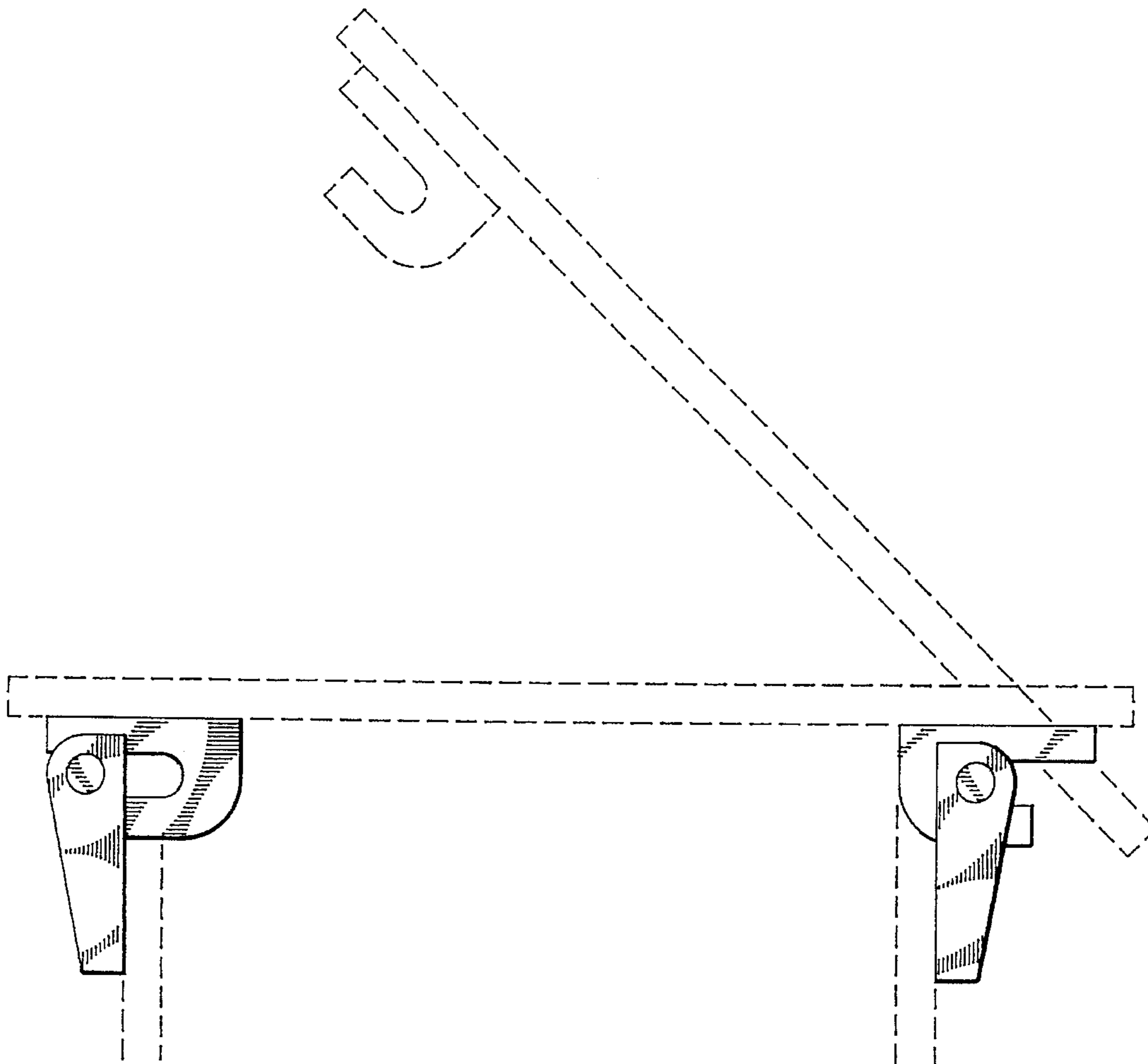
FIG. 4 is a top plan view thereof;

FIG. 5 is a right side elevational view thereof, the side opposite being a mirror image of the side shown;

FIG. 6 is a rear elevational view thereof; and,

FIG. 7 is a bottom plan view thereof.

1 Claim, 2 Drawing Sheets



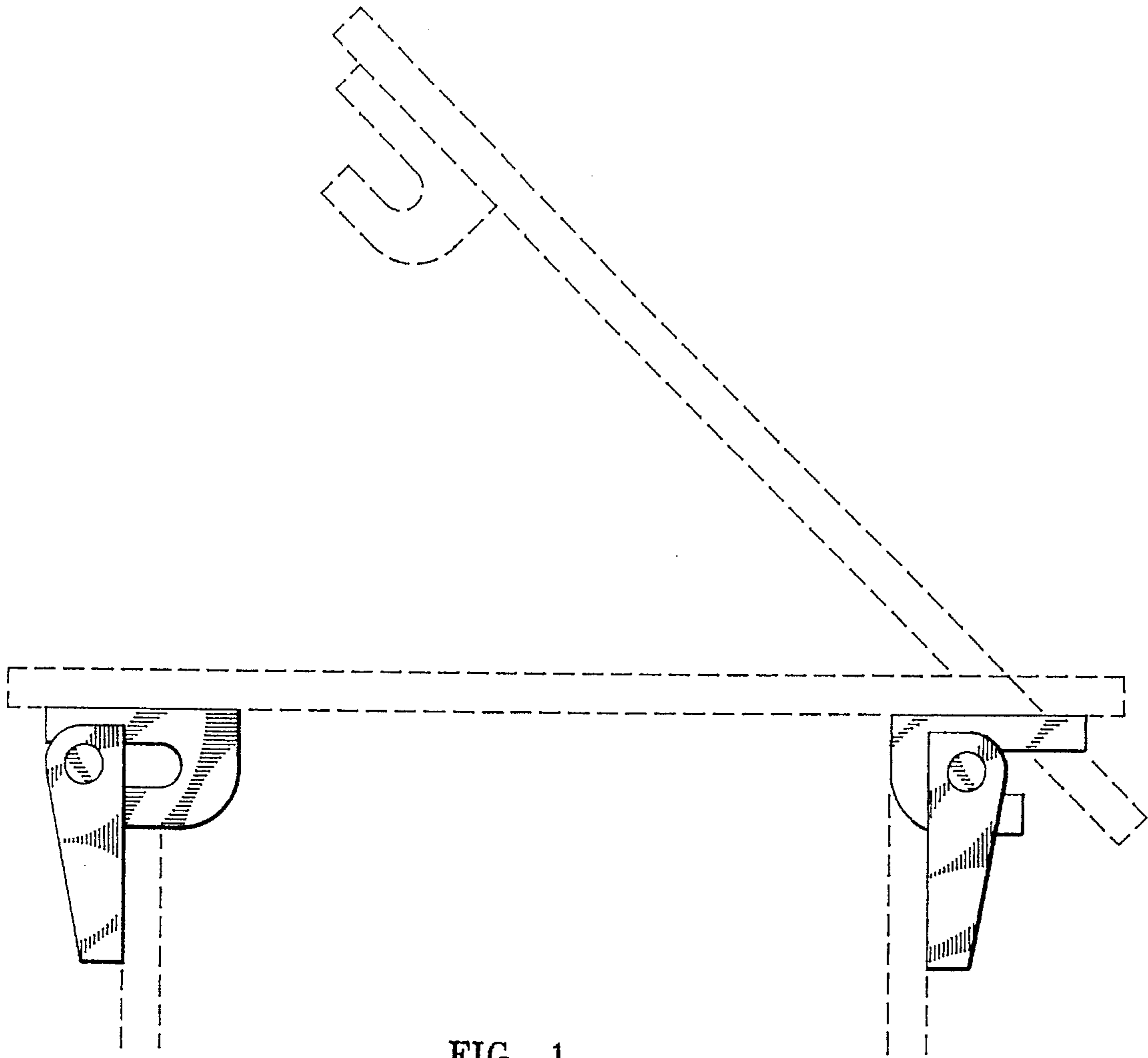


FIG. 1

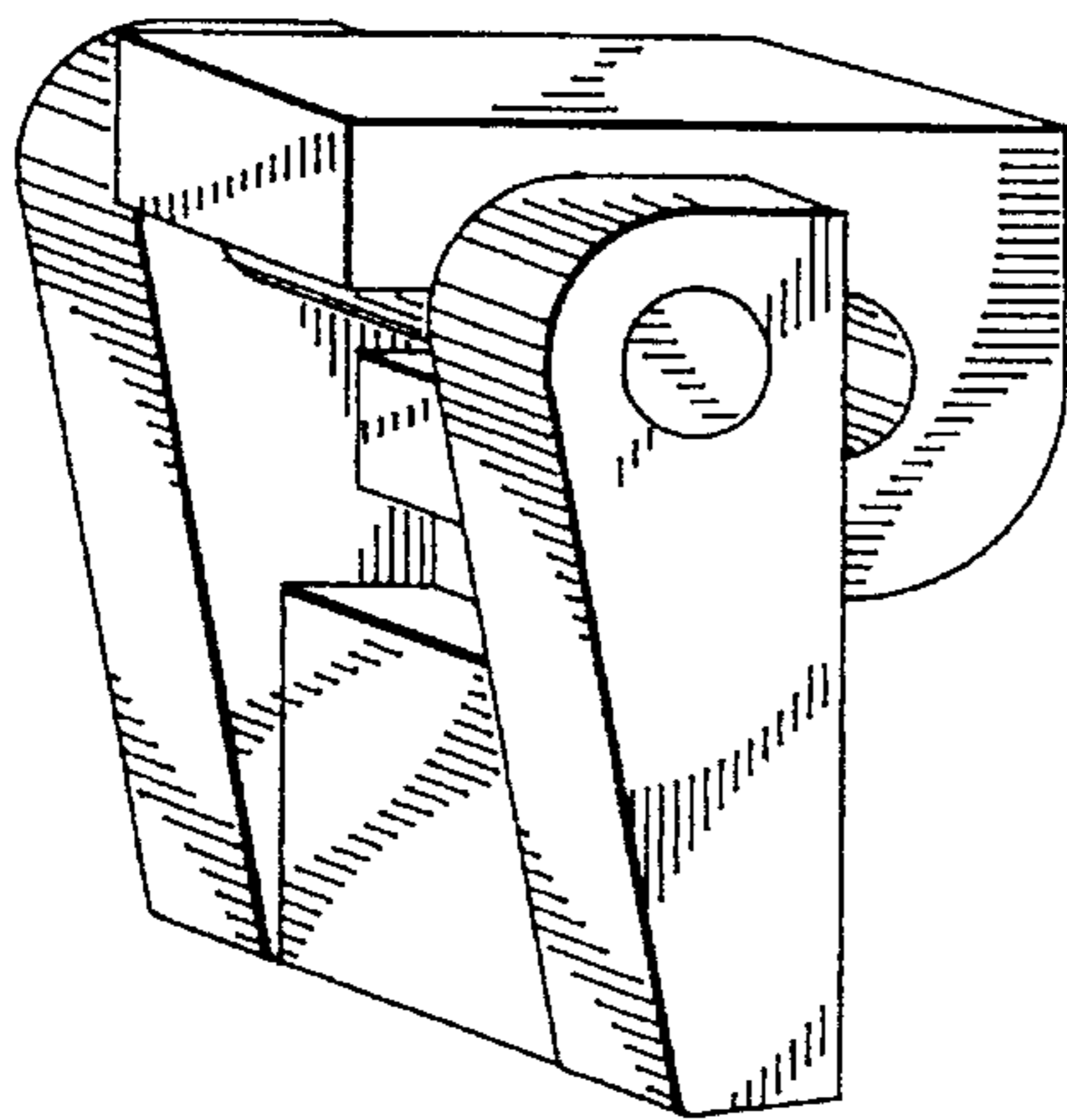


FIG. 2

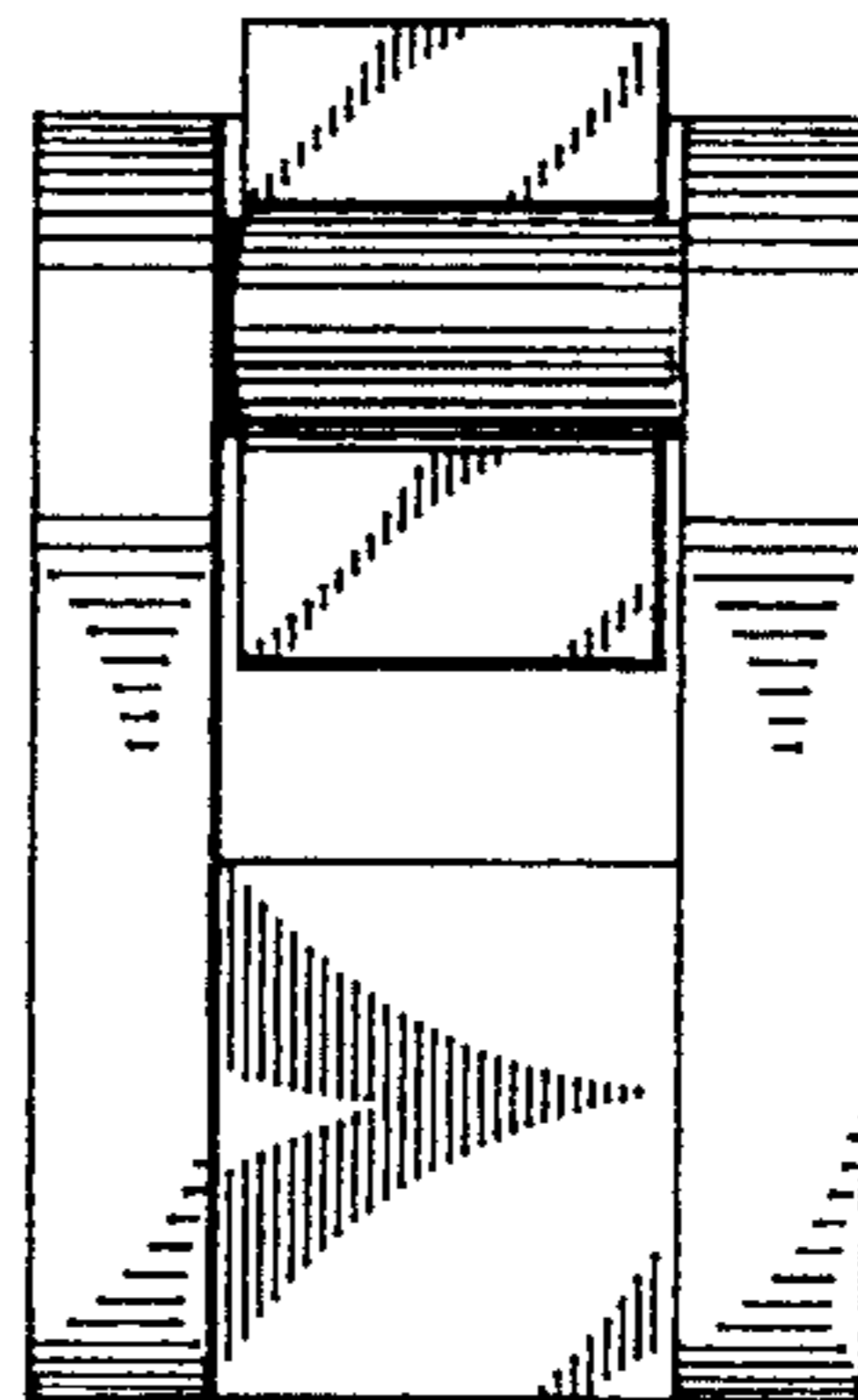


FIG. 3

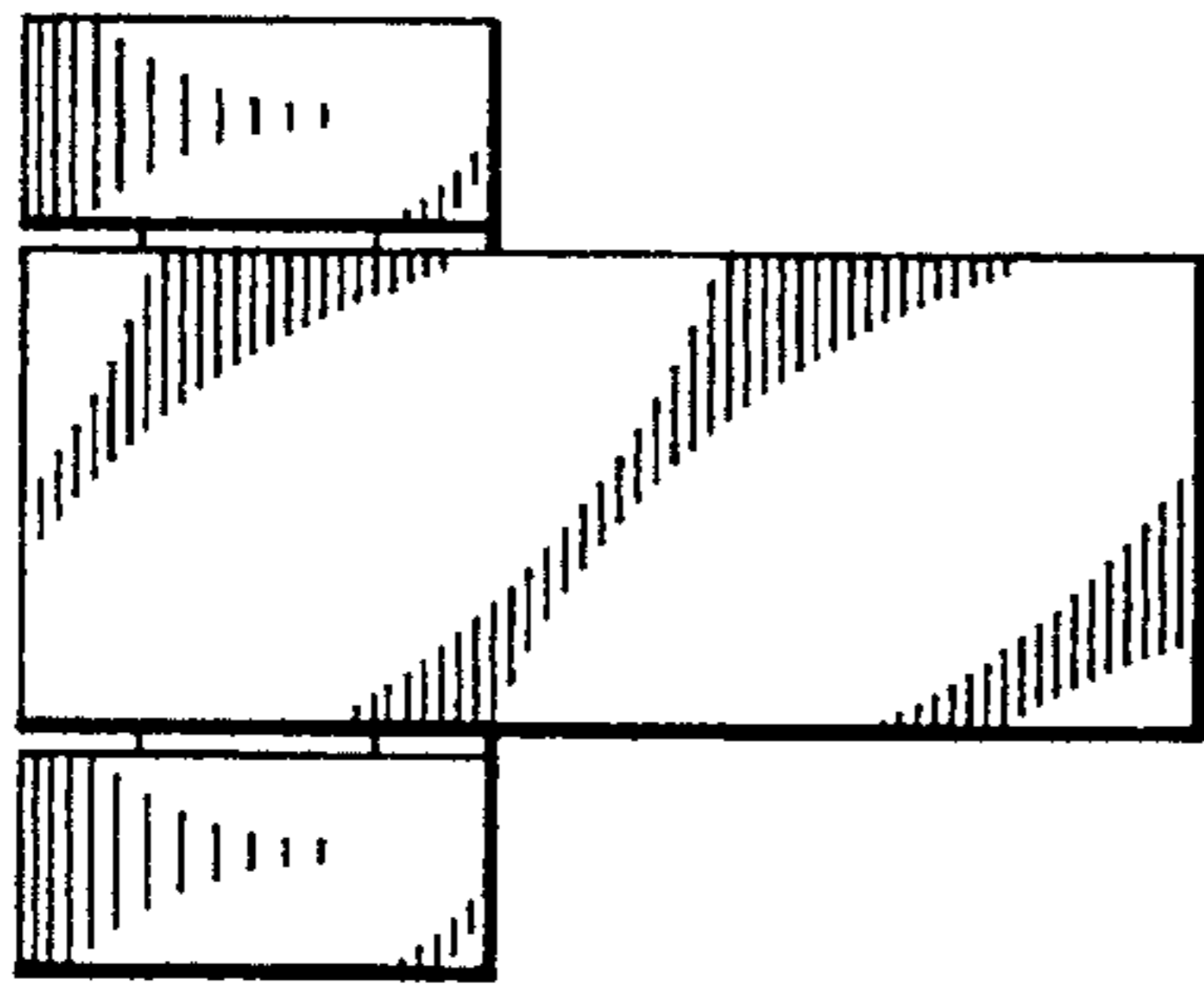


FIG. 4

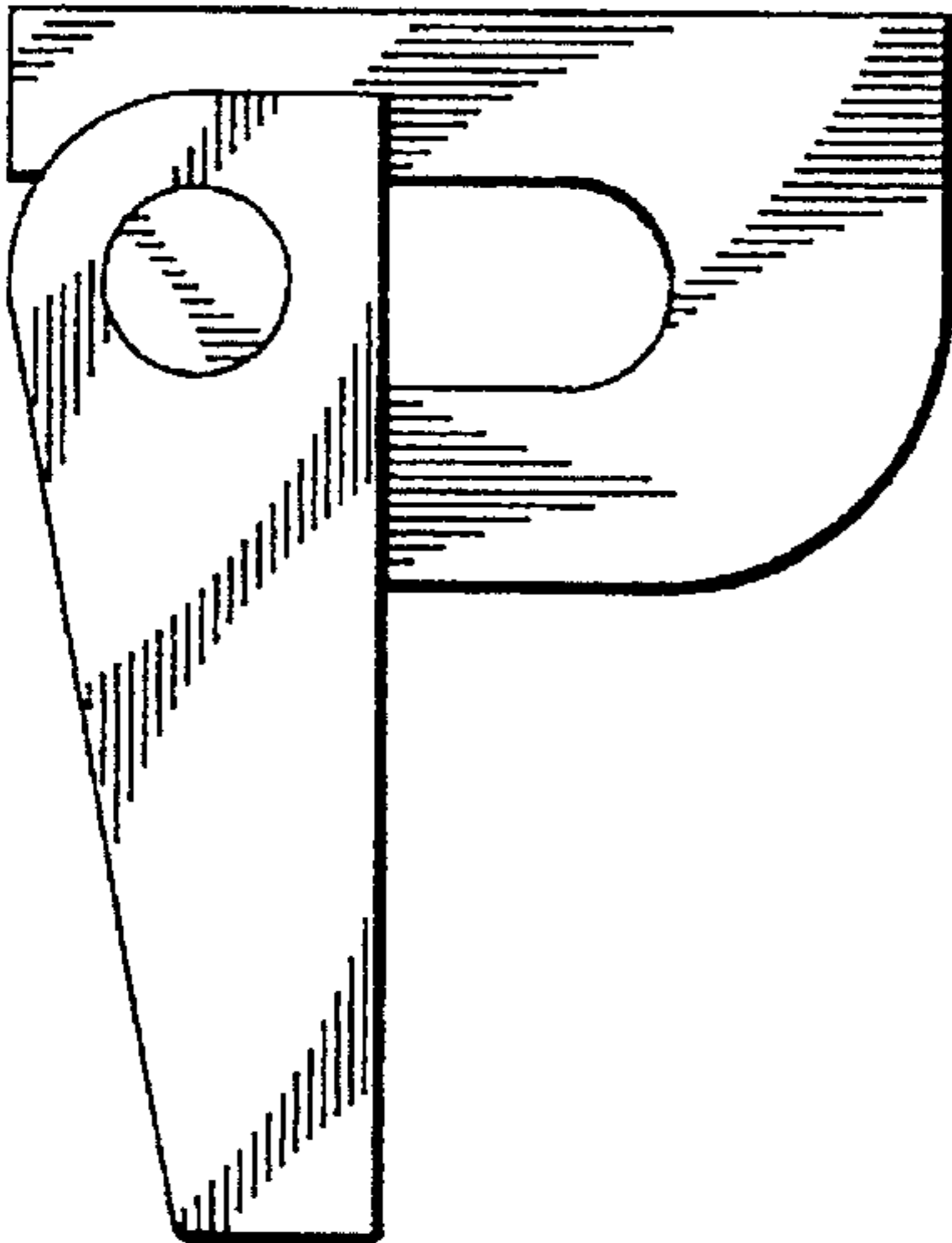


FIG. 5

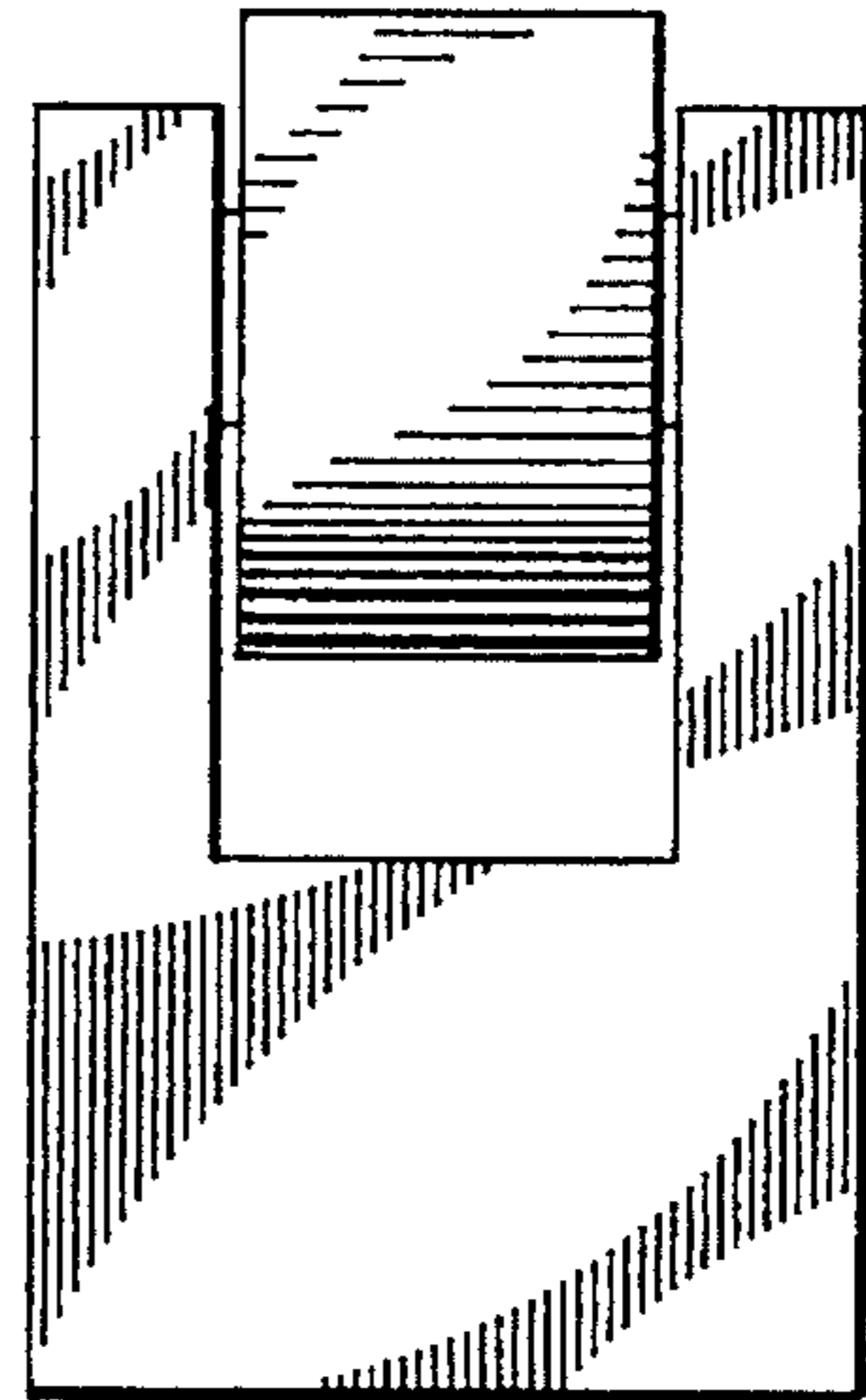


FIG. 6

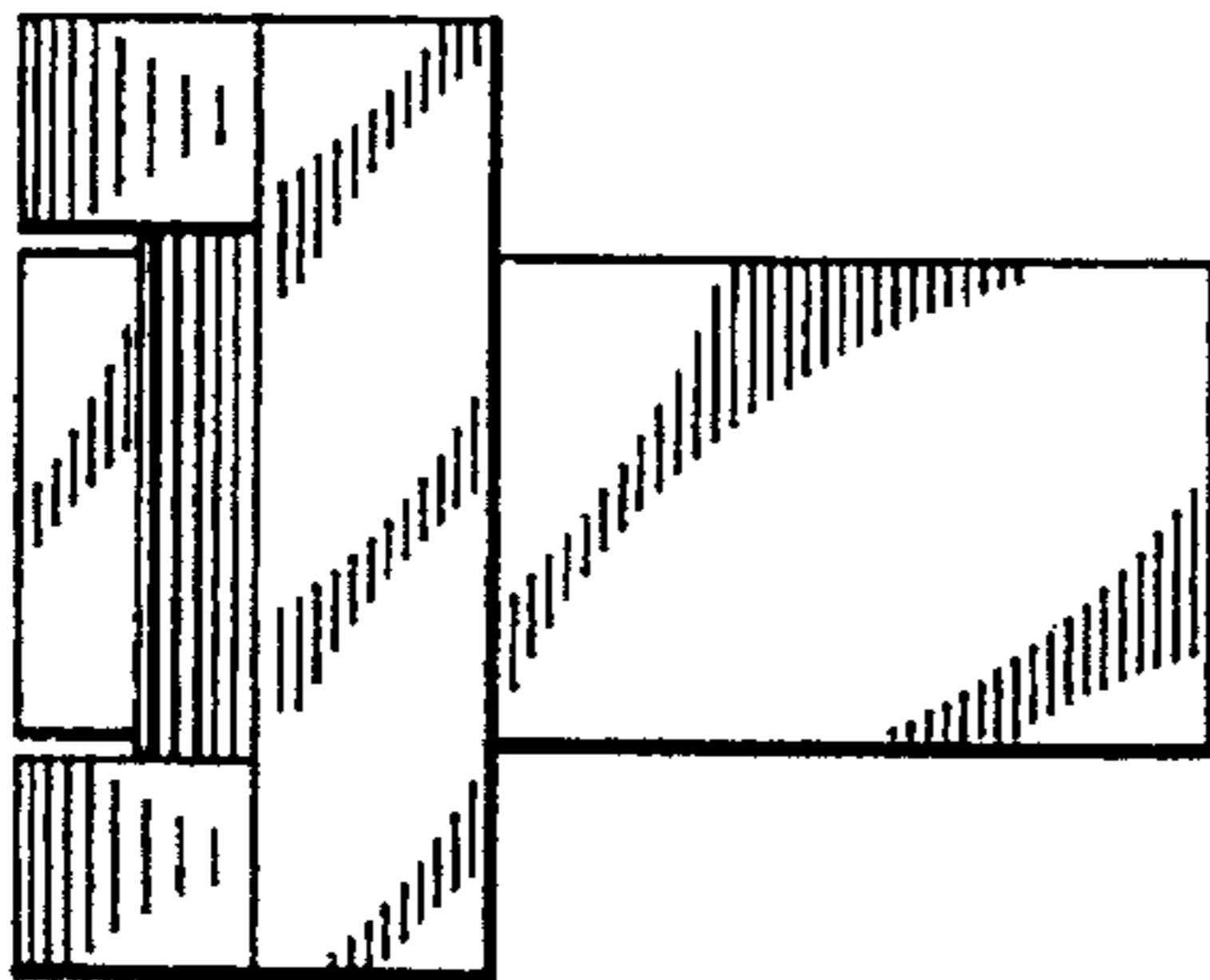


FIG. 7