



US00D374386S

United States Patent [19]

[11] Patent Number: **Des. 374,386**

Bosten et al.

[45] Date of Patent: ****Oct. 8, 1996**

[54] SANDER

FOREIGN PATENT DOCUMENTS

[75] Inventors: **Donald R. Bosten; John R. Kriaski,**
both of Jackson; **Randy G. Cooper,**
Milan, all of Tenn.

737766	12/1932	France .
952683	11/1949	France .
2365411	9/1976	France .
2420276	11/1979	France .
2516842	5/1986	France .
886216	7/1949	Germany .
6935441	3/1971	Germany .
2262865	7/1973	Germany .
2513464	10/1975	Germany .
2741255	3/1979	Germany .
2741325	3/1979	Germany .
3012836	10/1981	Germany .
3402062	8/1985	Germany .
8426106	10/1985	Germany .
554414	5/1986	Germany .
56-3174	6/1979	Japan .
276800	4/1962	Netherlands .
2141620	1/1985	United Kingdom .
87/02924	5/1987	WIPO .
94/04312	3/1994	WIPO .

[73] Assignee: **Porter-Cable Corporation,** Jackson,
Tenn.

[**] Term: **14 Years**

[21] Appl. No.: **34,659**

[22] Filed: **Feb. 9, 1995**

[52] U.S. Cl. **D8/62**

[58] Field of Search **D8/61, 62, 68;**
451/344, 356, 357, 359, 414, 456, 162,
163

[56] References Cited

U.S. PATENT DOCUMENTS

D. 329,362	9/1992	Saito et al. .	
D. 332,558	1/1993	Hoshino et al. .	
D. 343,104	1/1994	Hoshino	D8/62
1,412,725	4/1922	Vernon .	
1,501,192	7/1924	Severns .	
1,800,341	4/1931	Davies .	
1,840,254	1/1932	Richardson .	
2,350,098	5/1944	Decker .	
2,469,821	5/1949	Galbraith .	
2,689,436	9/1954	Wagner .	
2,836,940	6/1958	Carmichael .	
3,160,995	12/1964	Danuski, Jr. .	
3,190,045	6/1965	Zuzelo .	
3,443,271	5/1969	Lyons .	
3,619,954	11/1971	Miller .	
3,785,092	1/1974	Hutchins .	
3,892,091	7/1975	Hutchins .	
4,380,092	4/1983	Brothers .	
4,598,500	7/1986	Faraudo et al.	451/357
4,671,019	6/1987	Hutchins .	
4,905,420	3/1990	Flachenecker et al. .	
4,920,702	5/1990	Kloss et al. .	
5,123,216	6/1992	Kloss et al. .	
5,319,889	6/1994	Rudolf et al.	451/357
5,398,454	3/1995	Berner	451/357
5,437,571	8/1995	Everts et al.	451/356
5,491,896	2/1996	Stolzer et al.	451/162

OTHER PUBLICATIONS

Hugh Foster, "Tool Talk," Popular Woodworking, Jul., 1994, pp. 80-82.
 Sven Hanson, "Picking a Detail Sander," Popular Woodworking, Mar./Apr. 1995, pp. 52-54.
 Bill Krier, "Detail Sanders", Wood Magazine, Nov. 1994, pp. 44-47.
 "Tadpole Contour Sanders", Klingspor's Sanding Catalogue, vol. 17, 1994, cover sheet and p. 13.

Primary Examiner—James M. Gandy
Assistant Examiner—Robert M. Spear
Attorney, Agent, or Firm—Merchant, Gould, Smith, Edell, Welter & Schmidt

[57] CLAIM

The ornamental design for sander, as shown and described.

DESCRIPTION

FIG. 1 is a top left prospective view of a sander;
 FIG. 2 is a left side elevational view of the sander as shown in FIG. 1;
 FIG. 3 is a right side elevational view of the sander shown in FIG. 1;

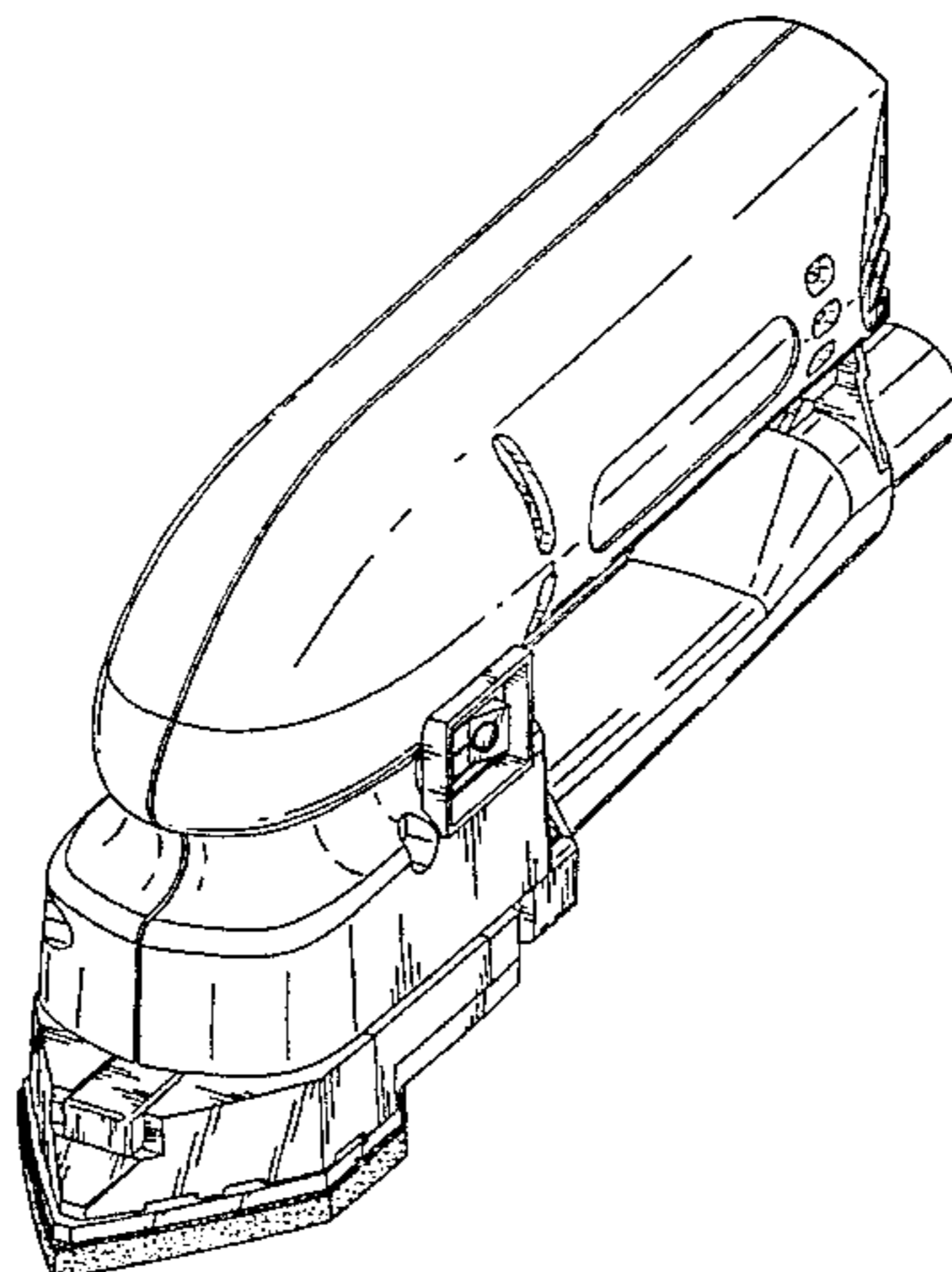


FIG. 4 is a front elevational view of the sander shown in FIG. 1;

FIG. 5 is a back elevational view of the sander shown in FIG. 1;

FIG. 6 is a top plan view of the sander shown in FIG. 1; and, FIG. 7 is a bottom plan view of the sander shown in FIG. 1.

1 Claim, 6 Drawing Sheets

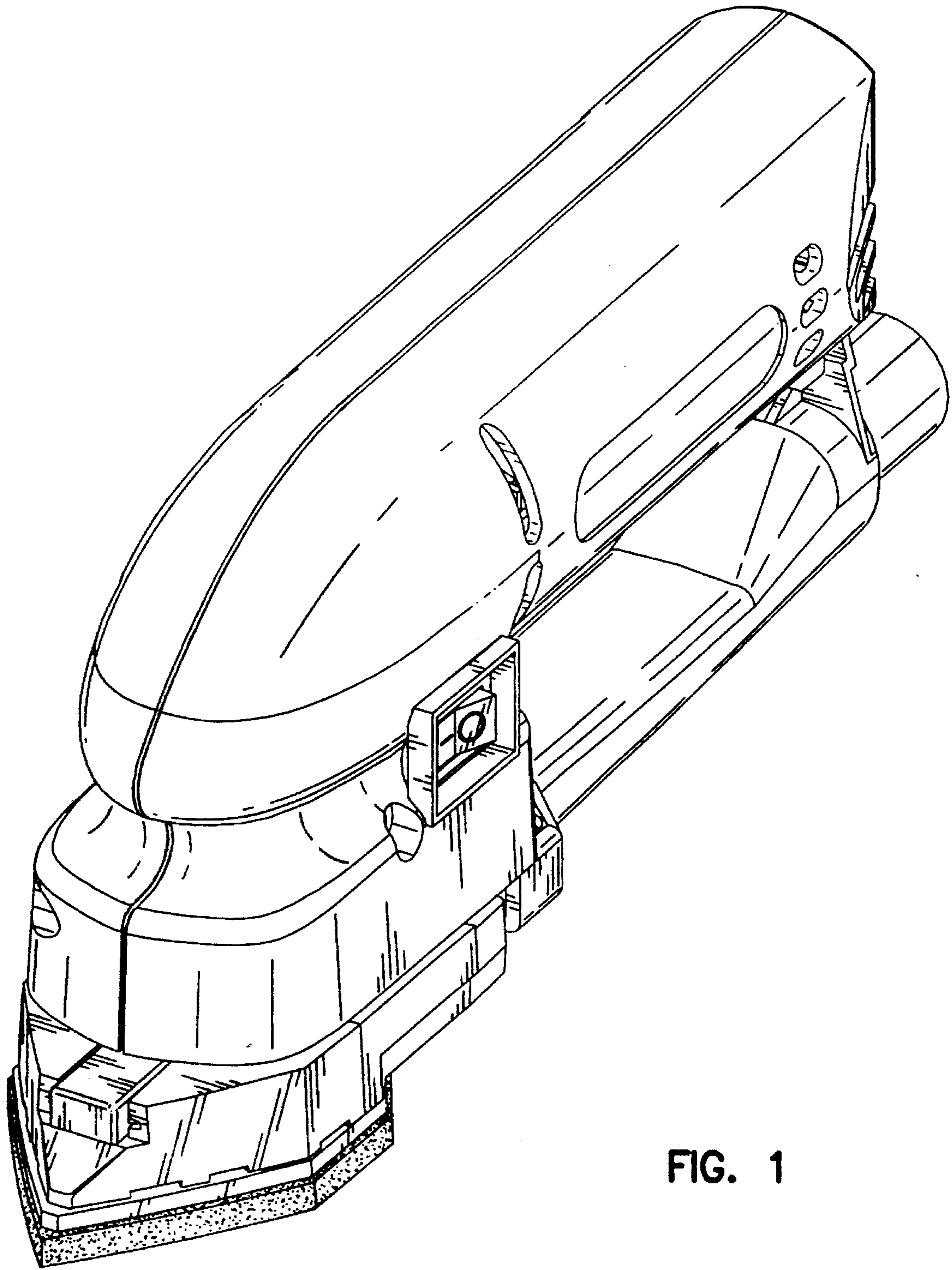


FIG. 1

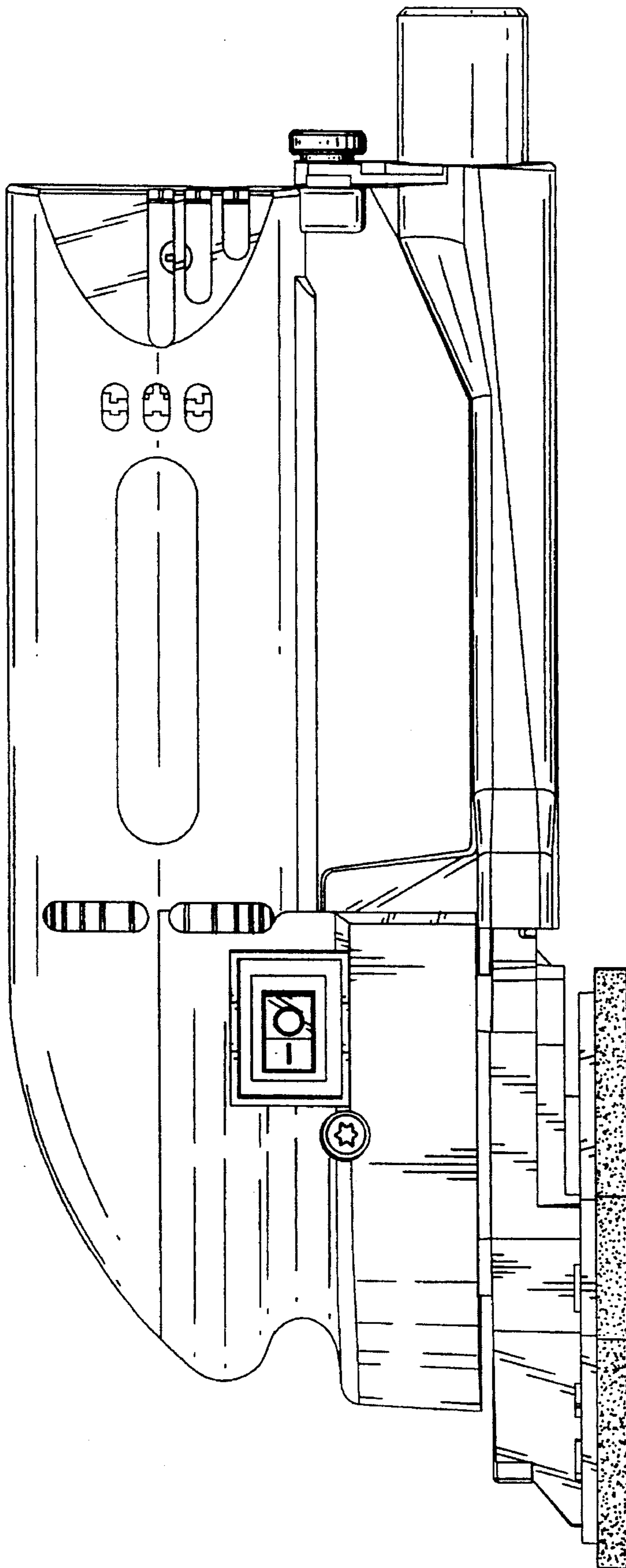


FIG. 2

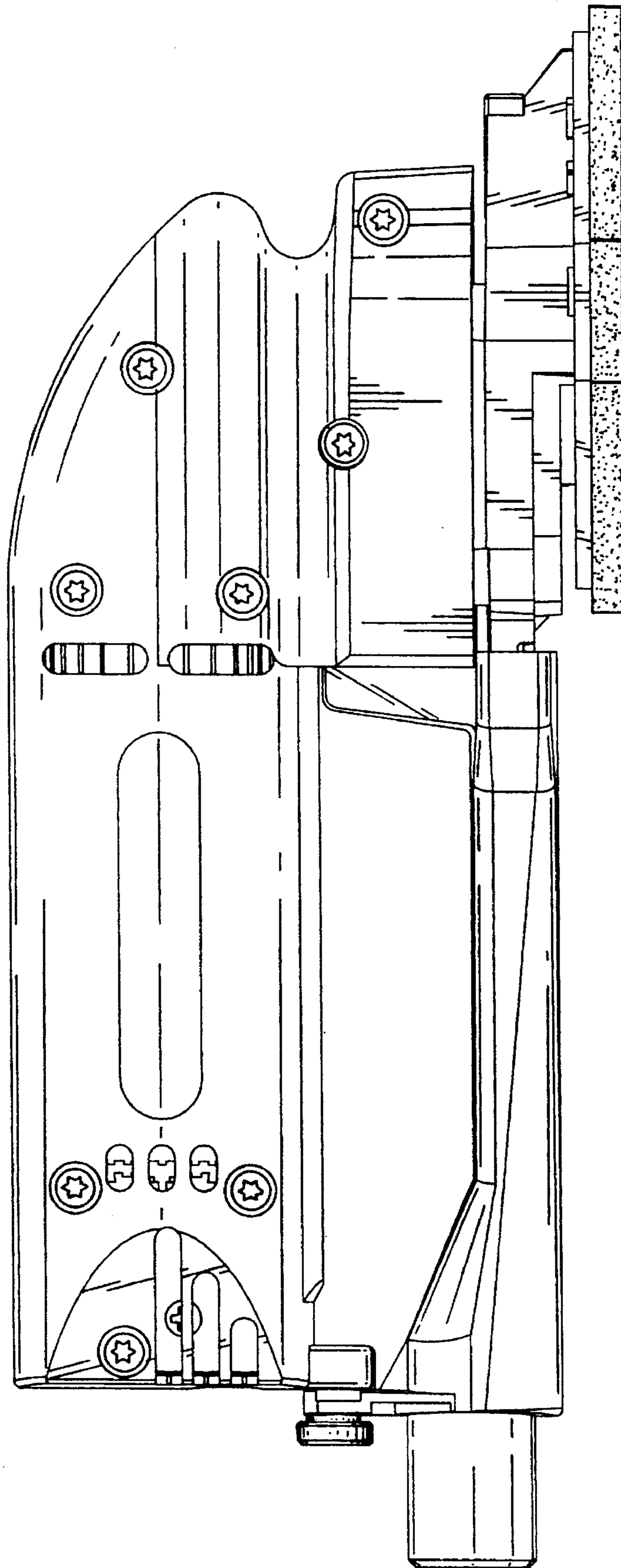


FIG. 3

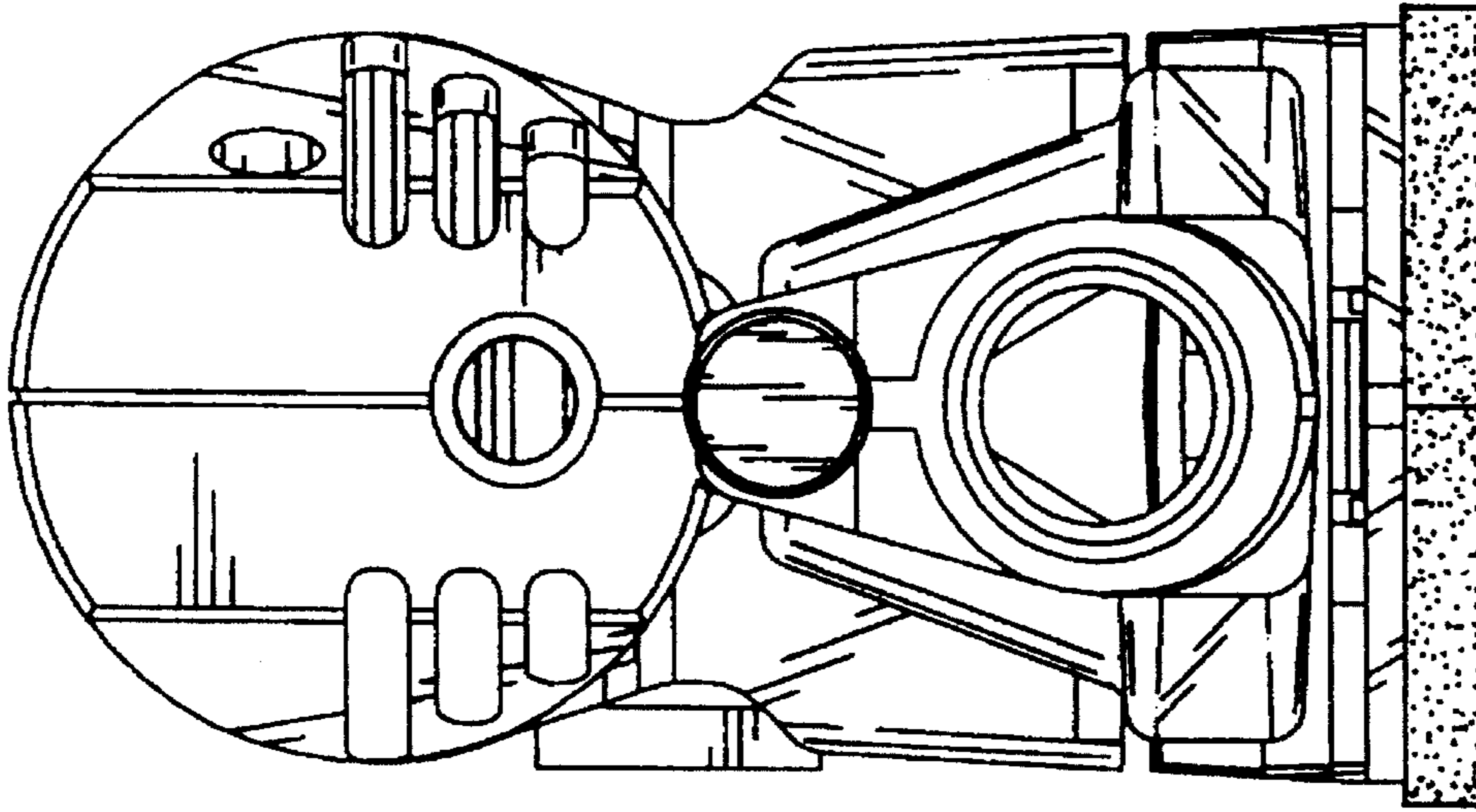


FIG. 5

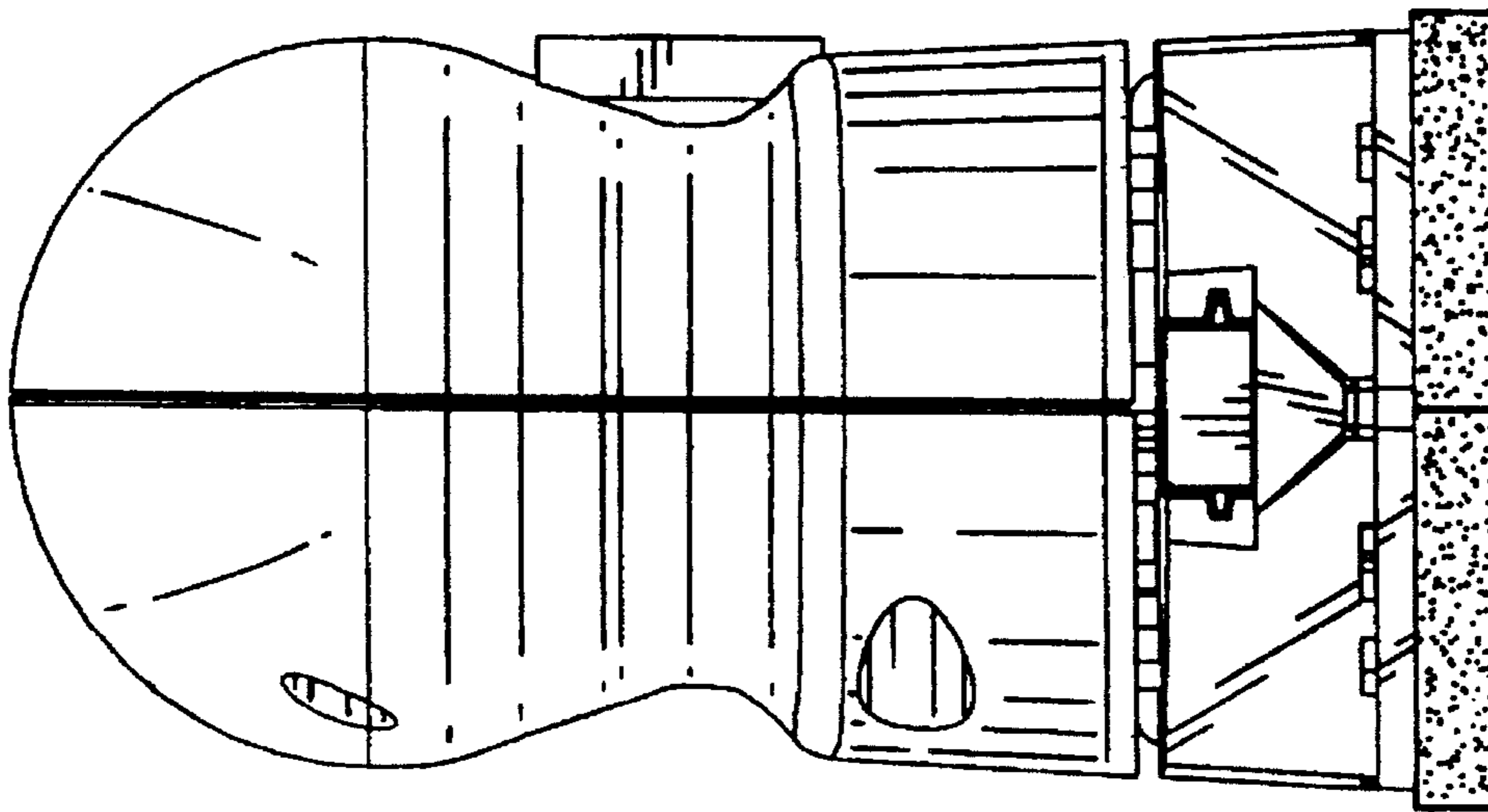


FIG. 4

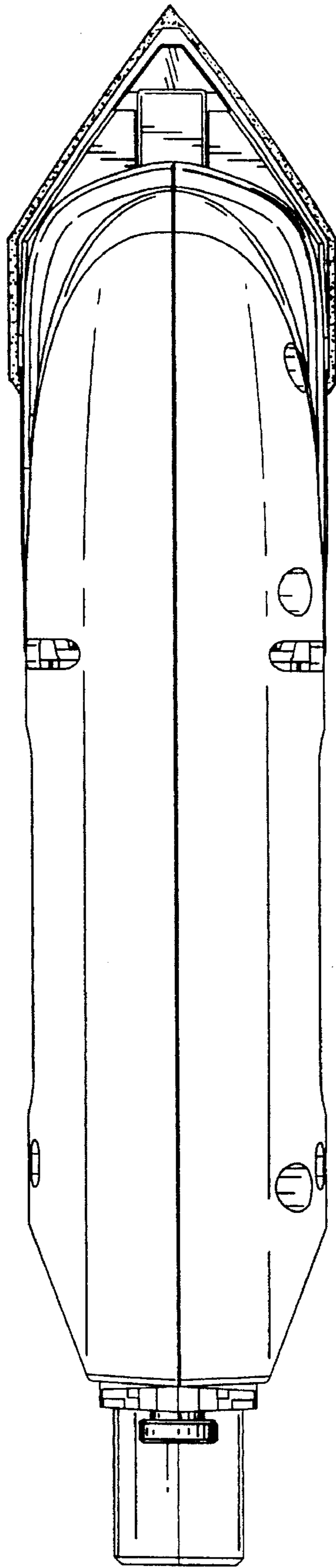


FIG. 6

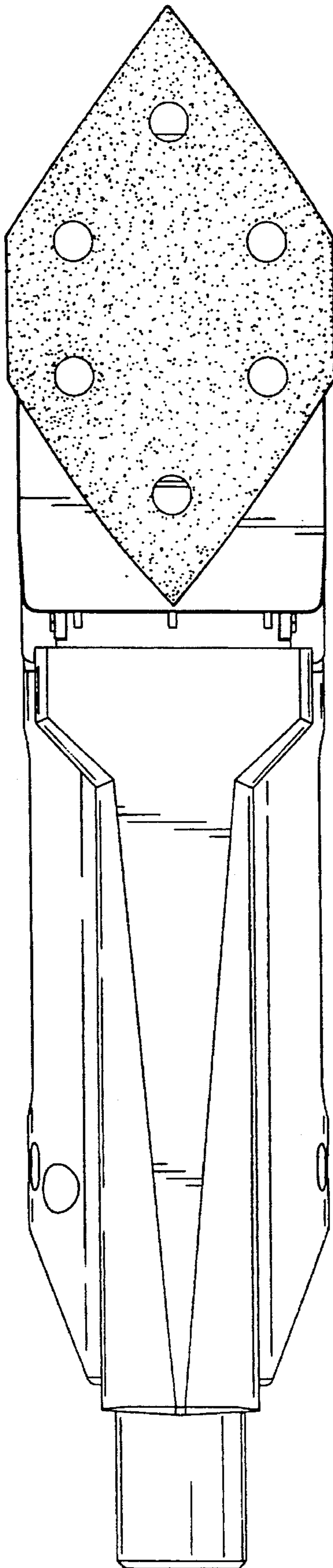


FIG. 7