



US00D374385S

# United States Patent [19]

[11] Patent Number: **Des. 374,385**

Herbst et al.

[45] Date of Patent: **\*\*Oct. 8, 1996**

[54] **STAPLER**

### OTHER PUBLICATIONS

[75] Inventors: **Walter B. Herbst**, Lake Forest; **Ralph Lazar**, Skokie, both of Ill.

Hong Kong Enterprise Catalog, Jun. 1992 p. 536 (Cordless Stapler Model WE-13).

[73] Assignee: **General Binding Corporation**, Northbrook, Ill.

*Primary Examiner*—Prabhakar G. Deshmukh  
*Assistant Examiner*—Adir Aronovich  
*Attorney, Agent, or Firm*—Hill, Steadman & Simpson

[\*\*] Term: **14 Years**

### [57] CLAIM

[21] Appl. No.: **41,021**

The ornamental design for a stapler, as shown.

[22] Filed: **Jul. 3, 1995**

### DESCRIPTION

[52] U.S. Cl. .... **D8/50**; D8/49

[58] Field of Search ..... D8/49, 50; D19/72;  
227/120, 126-128, 130-132, 134

FIG. 1 is a front, right side perspective view of a stapler showing our new design;  
FIG. 2 is a right side elevational view thereof;  
FIG. 3 is a top plan view thereof;  
FIG. 4 is a left side elevational view thereof;  
FIG. 5 is a front elevational view thereof;  
FIG. 6 is a rear elevational view thereof; and,  
FIG. 7 is a bottom plan view thereof.

### [56] References Cited

#### U.S. PATENT DOCUMENTS

D. 319,377	8/1991	Sadashima et al. ....	D8/49
D. 331,000	11/1992	Doorley .....	D8/50
D. 332,732	1/1993	Matsuno .....	D8/50
2,975,424	3/1961	Oussani .....	227/131
4,726,505	2/1988	Okazaki .....	227/132

**1 Claim, 2 Drawing Sheets**

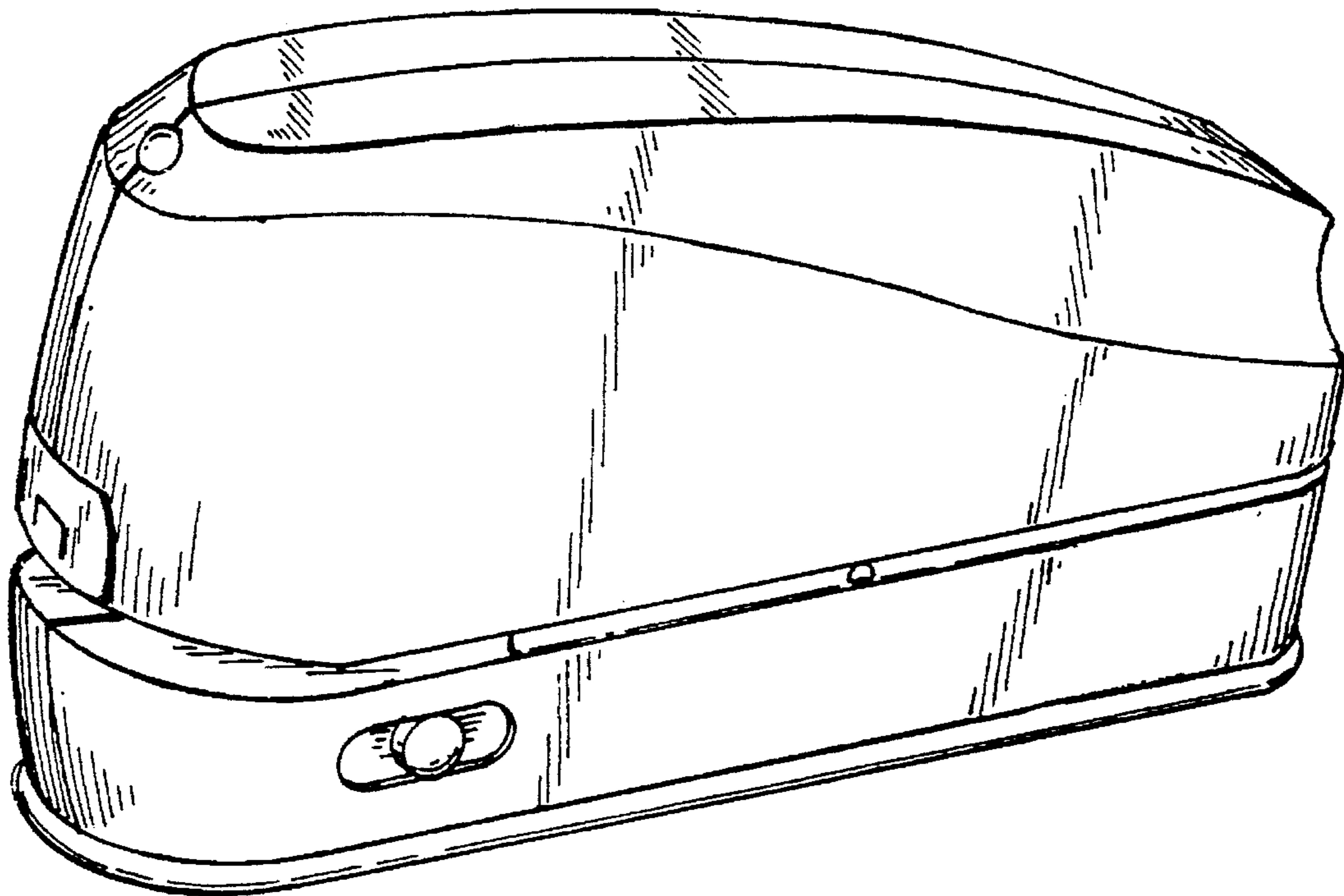


FIG. 1

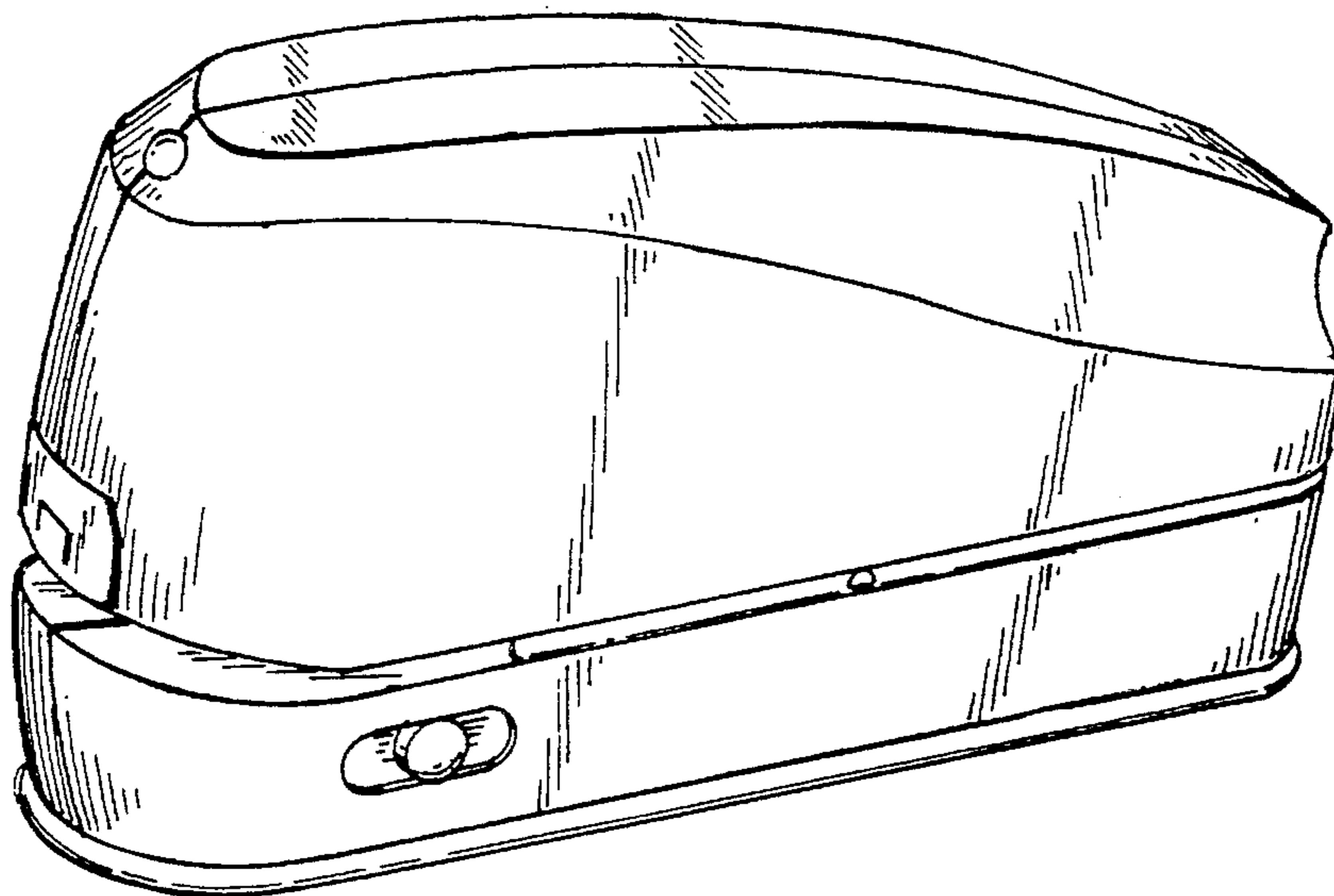


FIG. 2

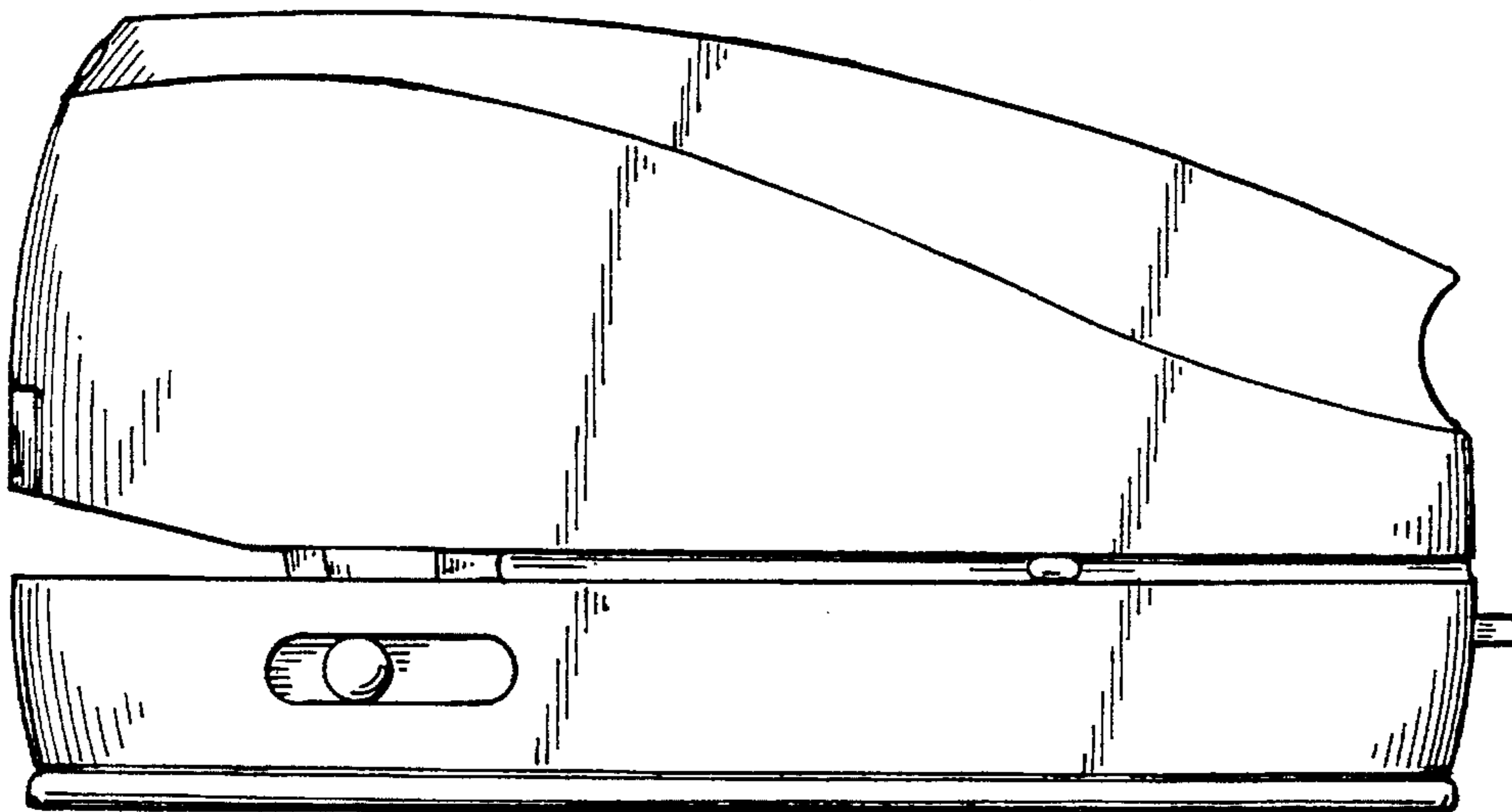


FIG. 3

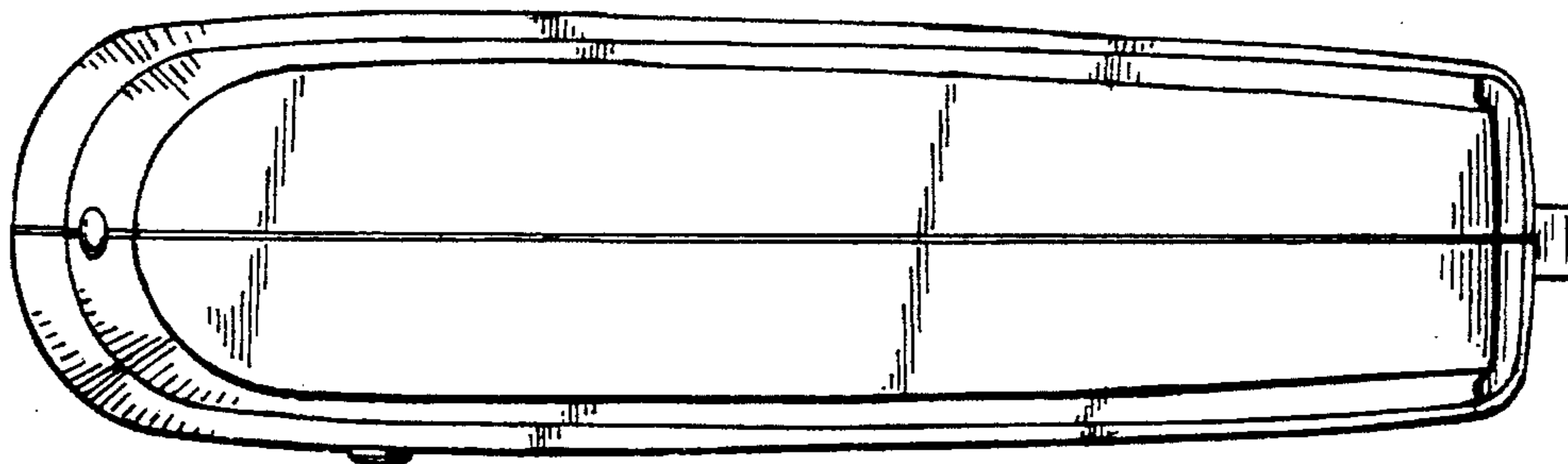


FIG. 4

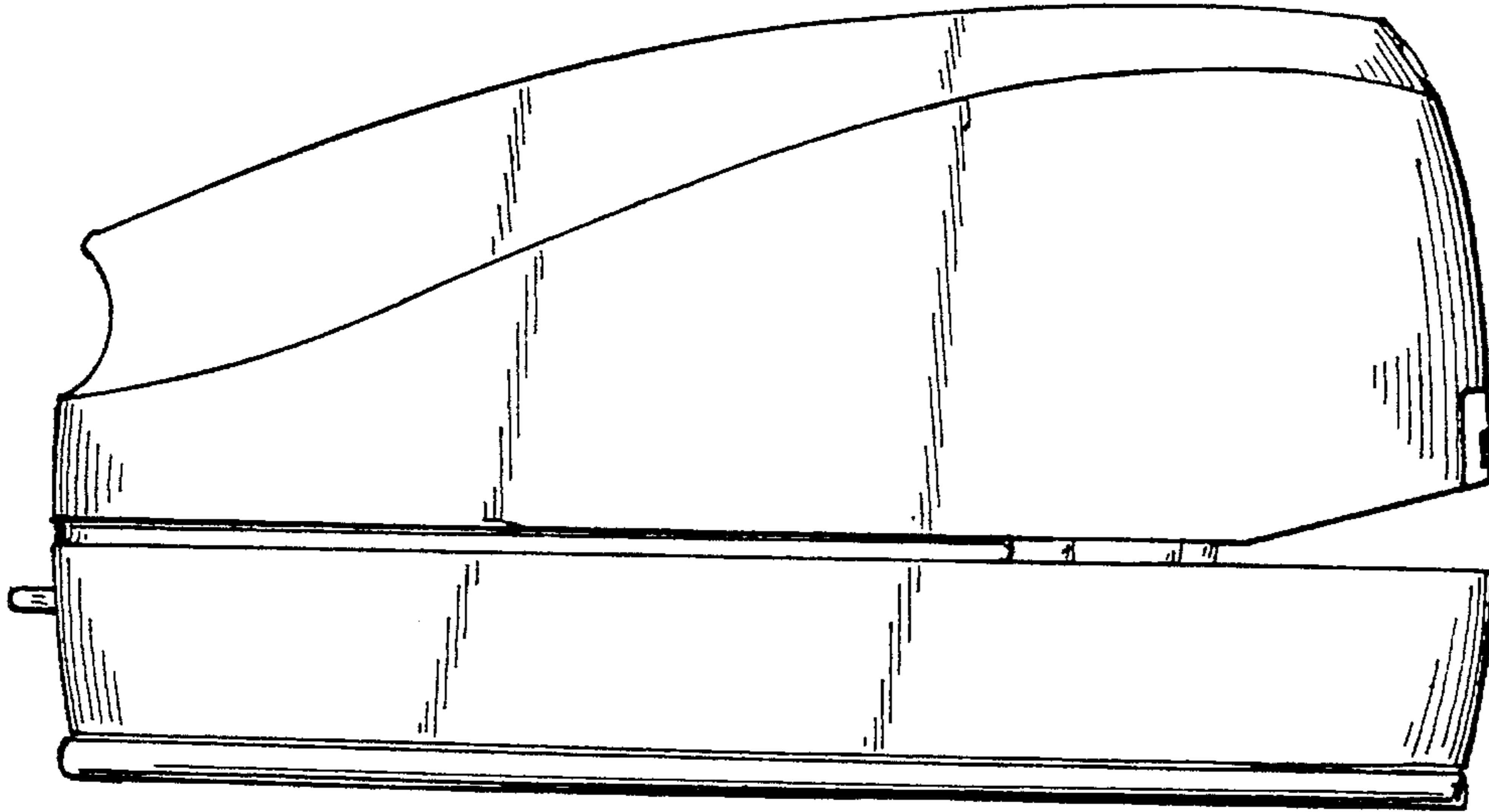


FIG. 5

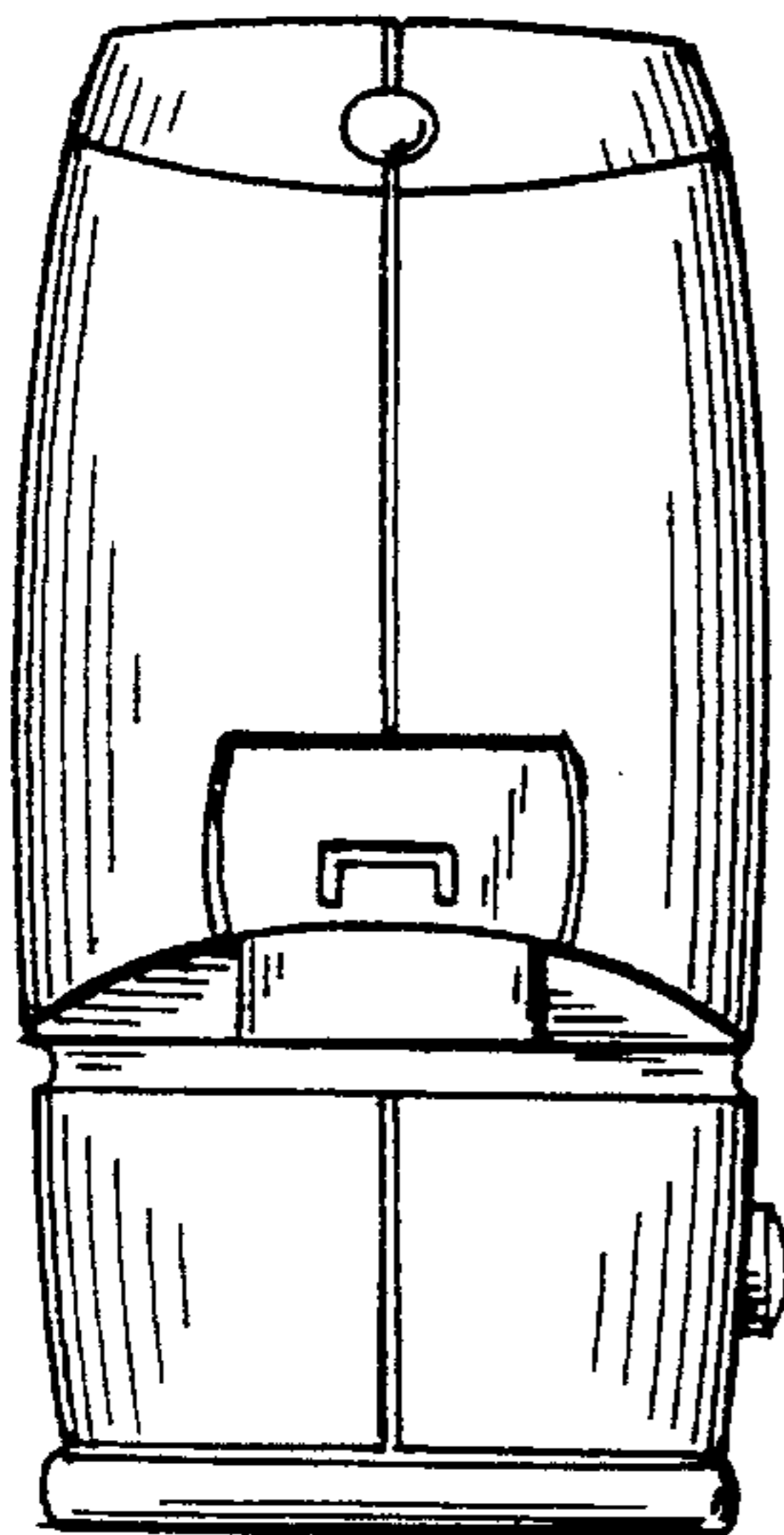


FIG. 6

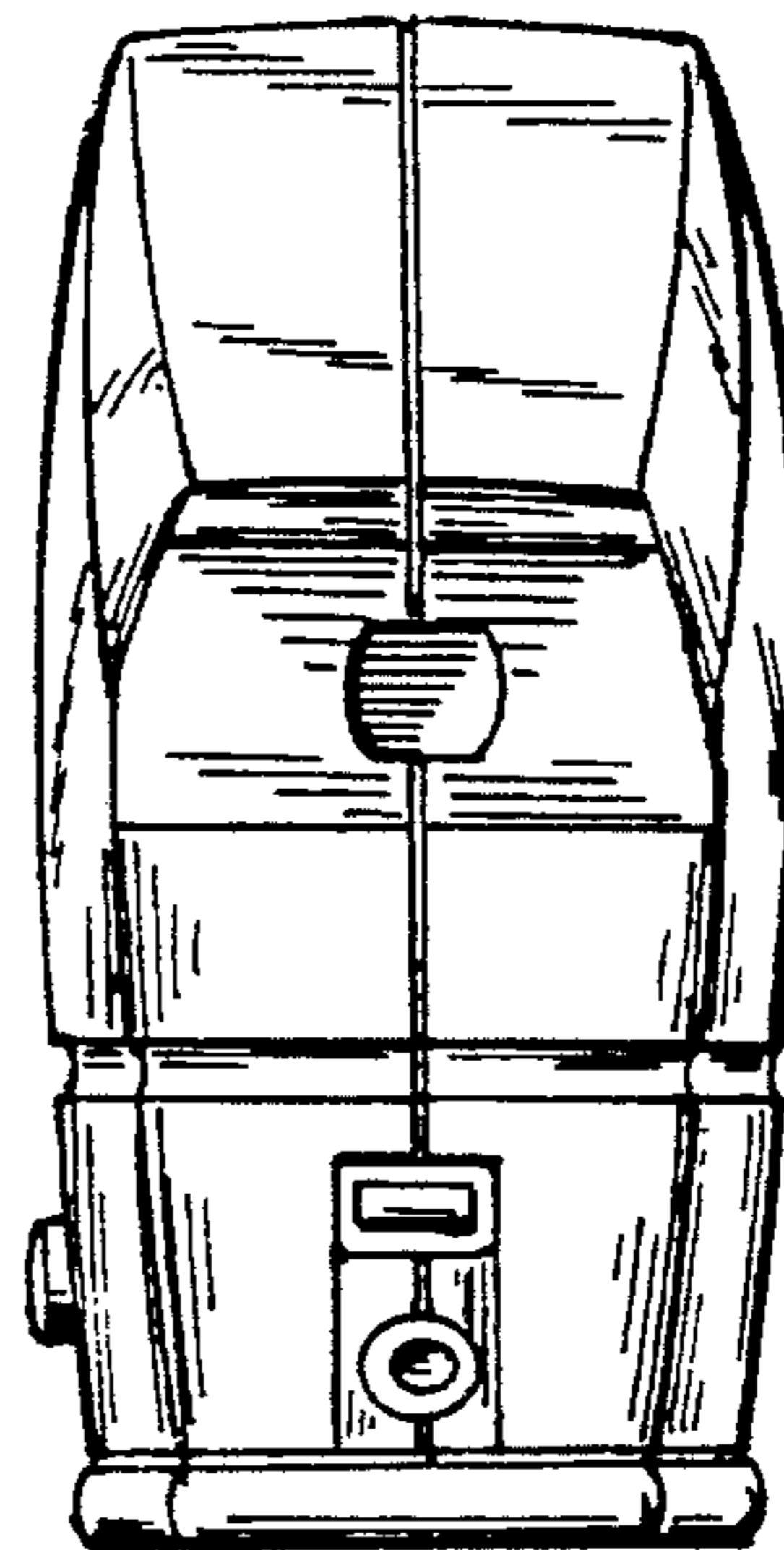


FIG. 7

