



US00D374384S

**United States Patent** [19]  
**Baranowski, Jr.**

[11] **Patent Number: Des. 374,384**  
[45] **Date of Patent: \*\*Oct. 8, 1996**

[54] **TRIPLE-BARREL PROPANE TORCH**

[75] Inventor: **Frank Baranowski, Jr.**, Lynnfield, Mass.

[73] Assignee: **General Regulator, Inc.**, Wakefield, Mass.

[\*\*] Term: **14 Years**

[21] Appl. No.: **34,157**

[22] Filed: **Jan. 27, 1995**

[52] U.S. Cl. .... **D8/30**

[58] Field of Search ..... **D8/30; D15/144.2; 431/263, 264, 265, 266, 345, 353, 354**

[56] **References Cited**

**U.S. PATENT DOCUMENTS**

D. 224,505	8/1972	Baranowski, Jr. ....	D8/30
D. 227,337	6/1973	Bowman .....	D8/30
D. 263,790	4/1982	Baranowski, Jr. ....	D8/30
D. 264,301	5/1982	Miller .....	D8/30
D. 273,933	5/1984	Royston .....	D8/30
3,198,239	8/1965	Webster .....	451/353
3,768,962	10/1973	Baranowski, Jr. ....	431/354
4,348,172	9/1982	Miller .....	431/345

**OTHER PUBLICATIONS**

Advertising circular for Crosstech Torch Model 2100, General Regulator, Inc.

*Primary Examiner*—B. J. Bullock  
*Assistant Examiner*—Robert M. Spear  
*Attorney, Agent, or Firm*—Iandiorio & Teska

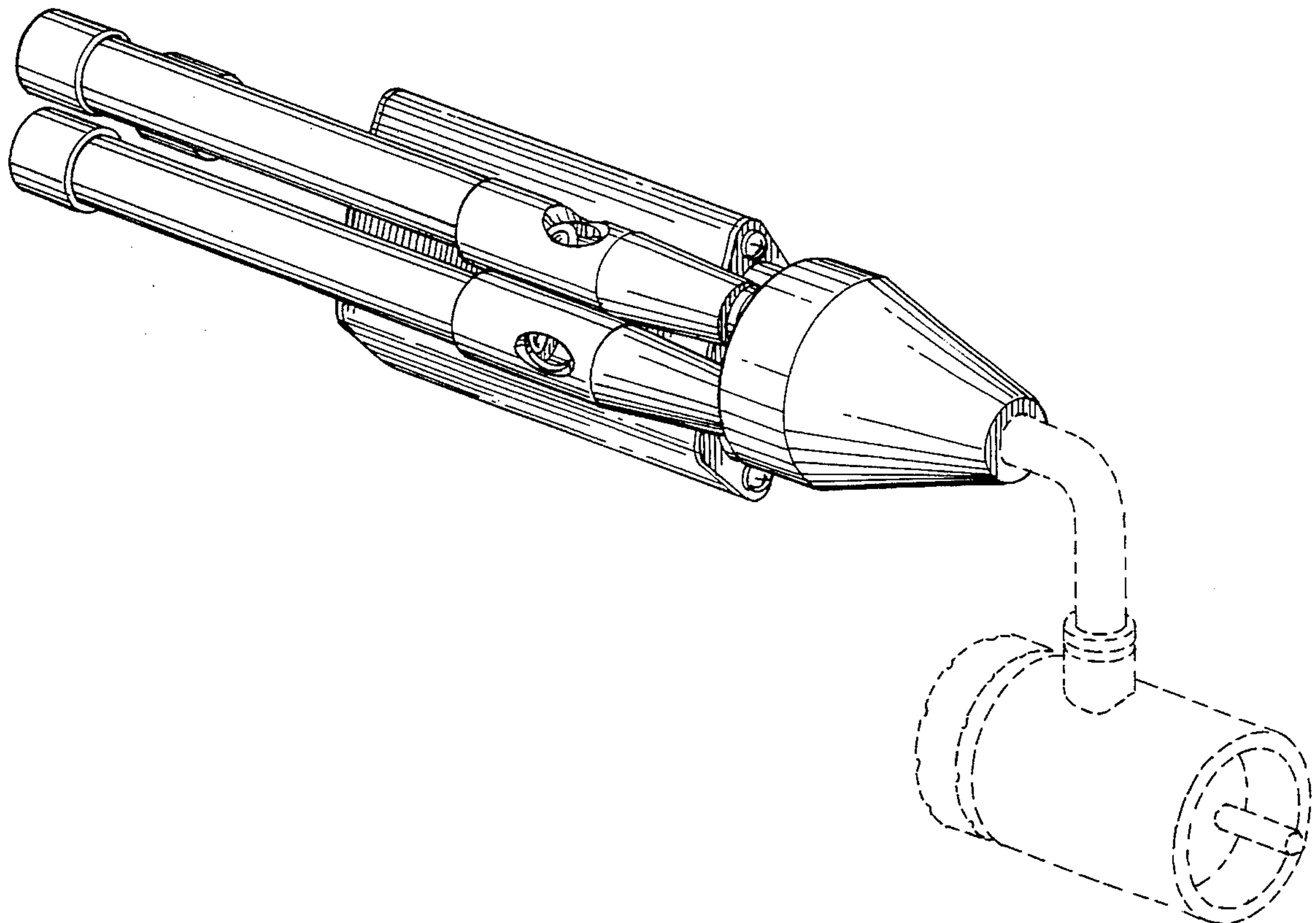
[57] **CLAIM**

The ornamental design for a triple-barrel propane torch, as shown and described.

**DESCRIPTION**

FIG. 1 is a top, left, rear perspective view of a propane torch according to my invention; FIG. 2 is a left side elevational view of the torch of FIG. 1; FIG. 3 is a top plan view of the torch of FIG. 1; FIG. 4 is a front elevational view of the torch of FIG. 1; FIG. 5 is a rear elevational view of the torch of FIG. 1; FIG. 6 is a right side view of the torch of FIG. 1; and, FIG. 7 is a bottom plan view of the torch of FIG. 1. The broken line showing of a pressure regulator is for illustrative purposes only and forms no part of the claimed design.

**1 Claim, 3 Drawing Sheets**



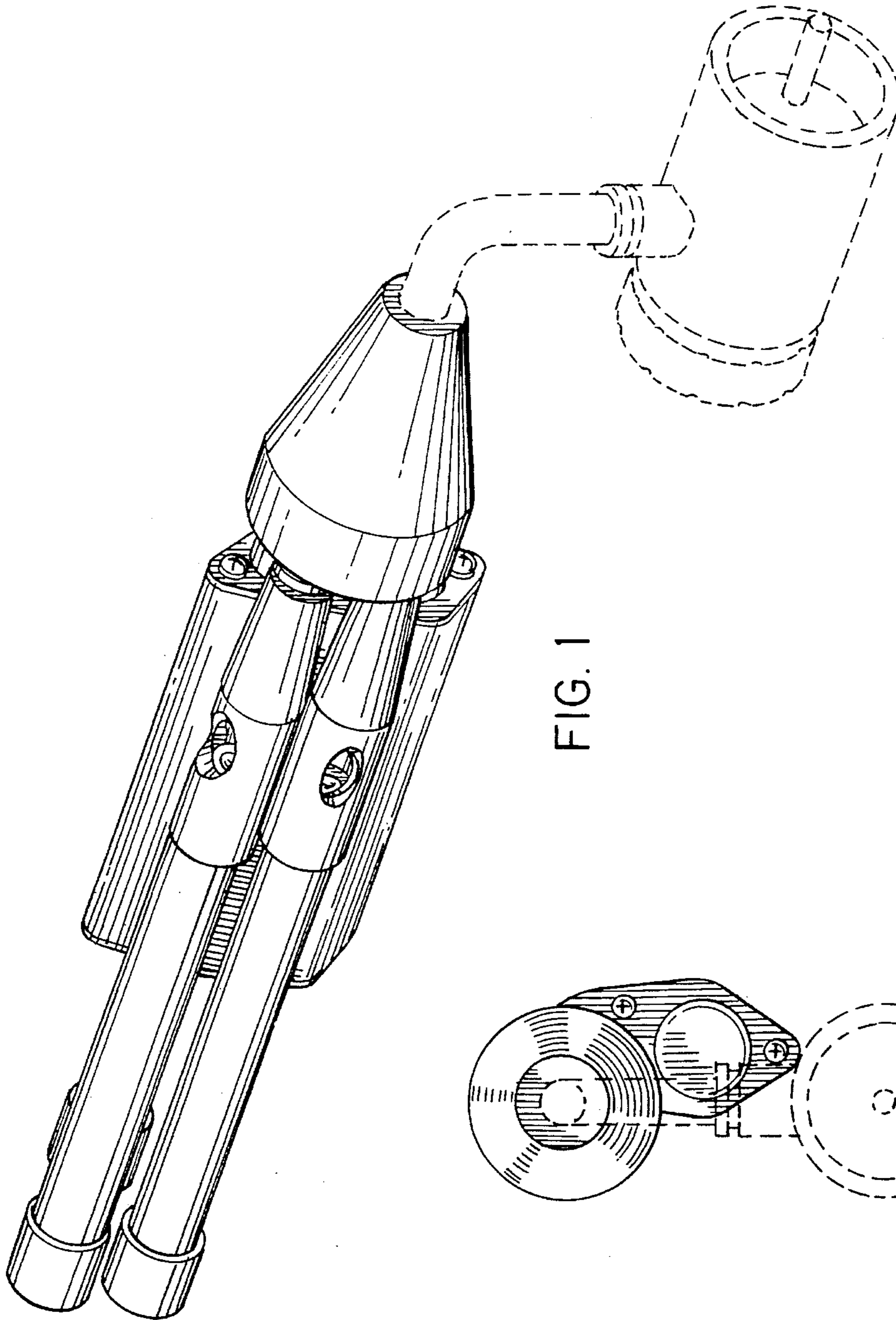


FIG. 1

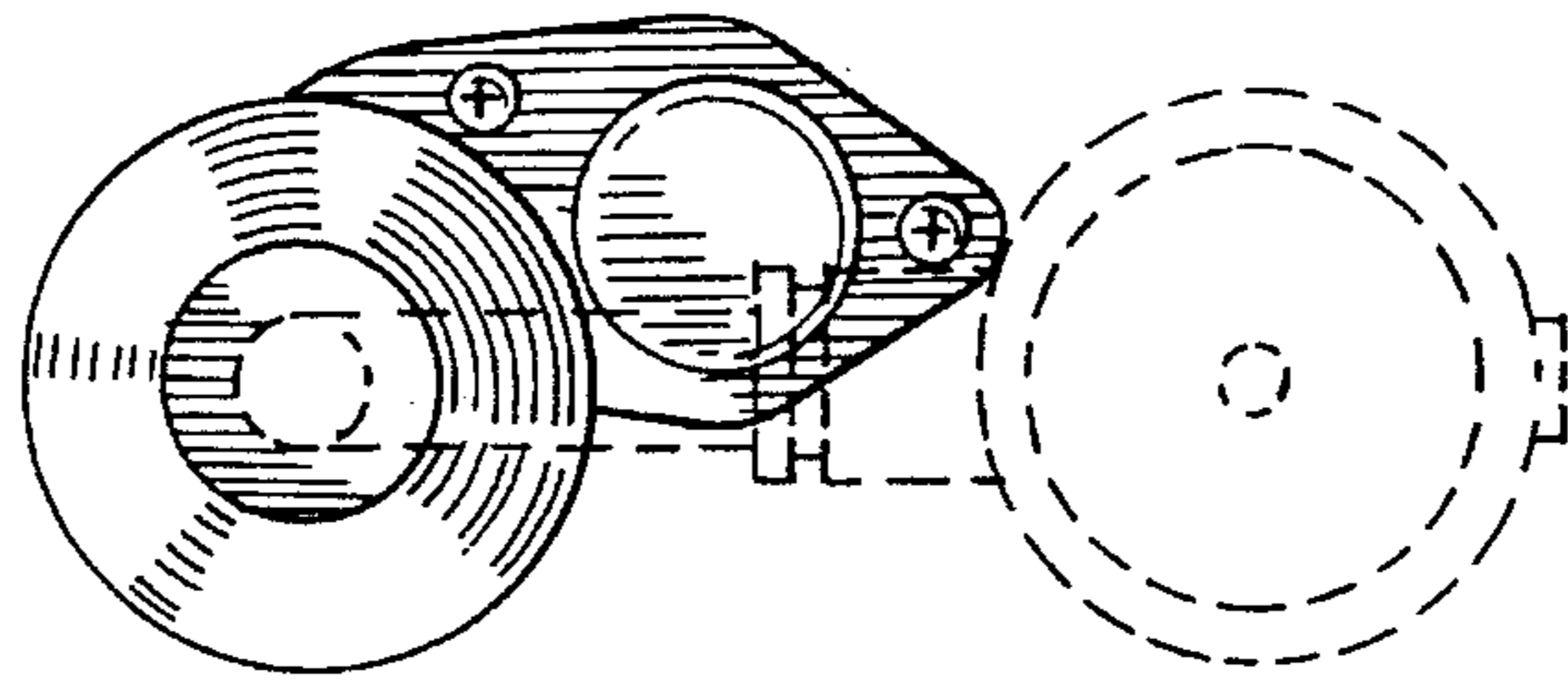


FIG. 5

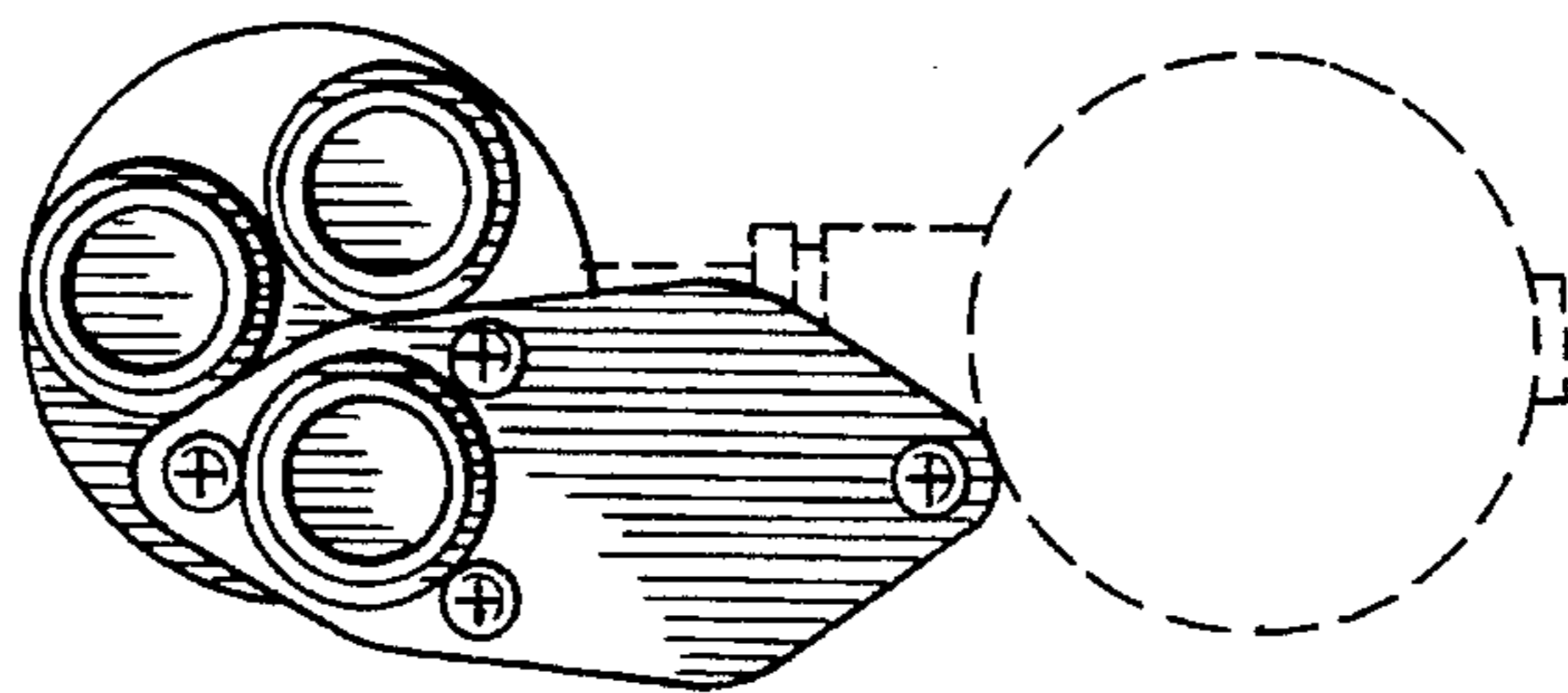


FIG. 4

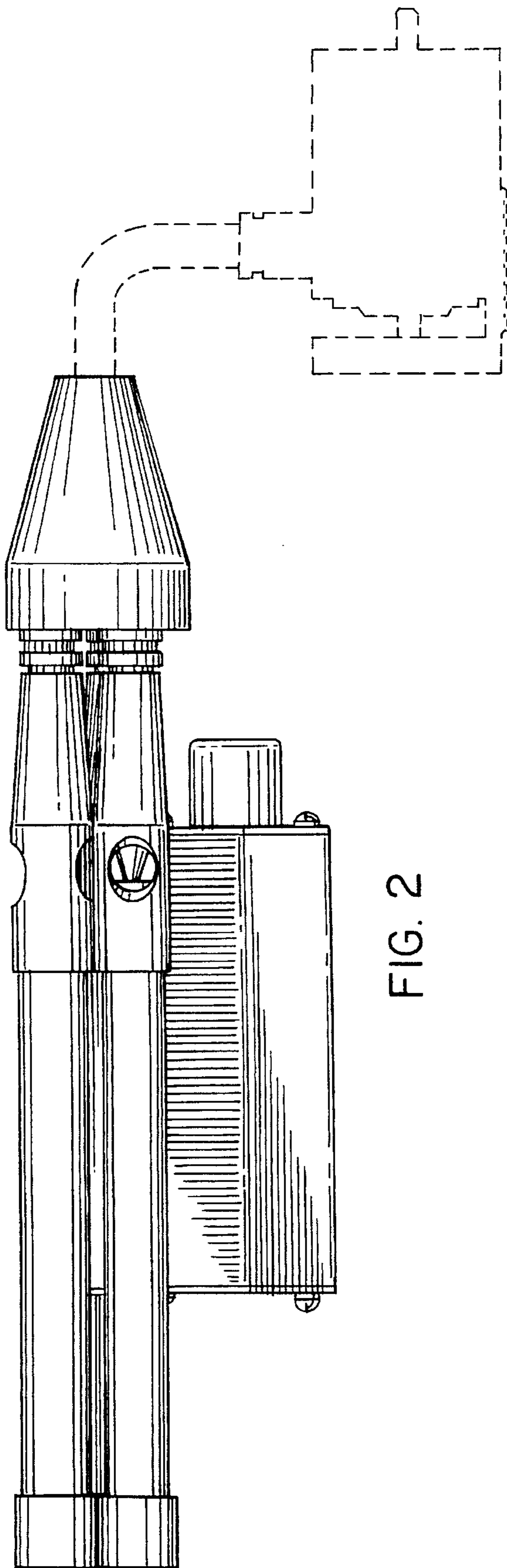


FIG. 2

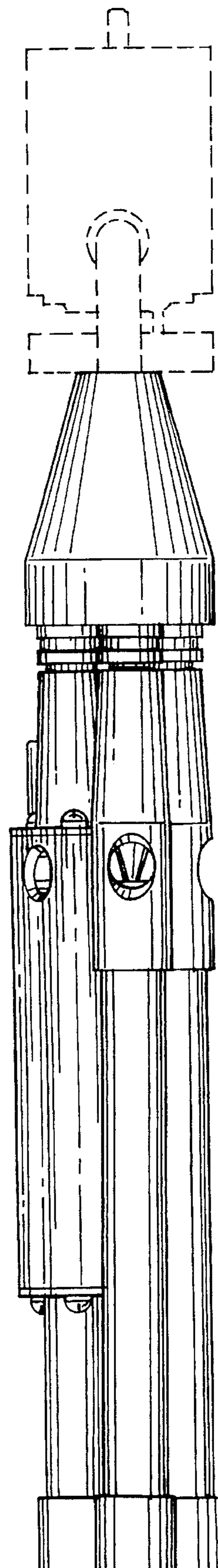


FIG. 3

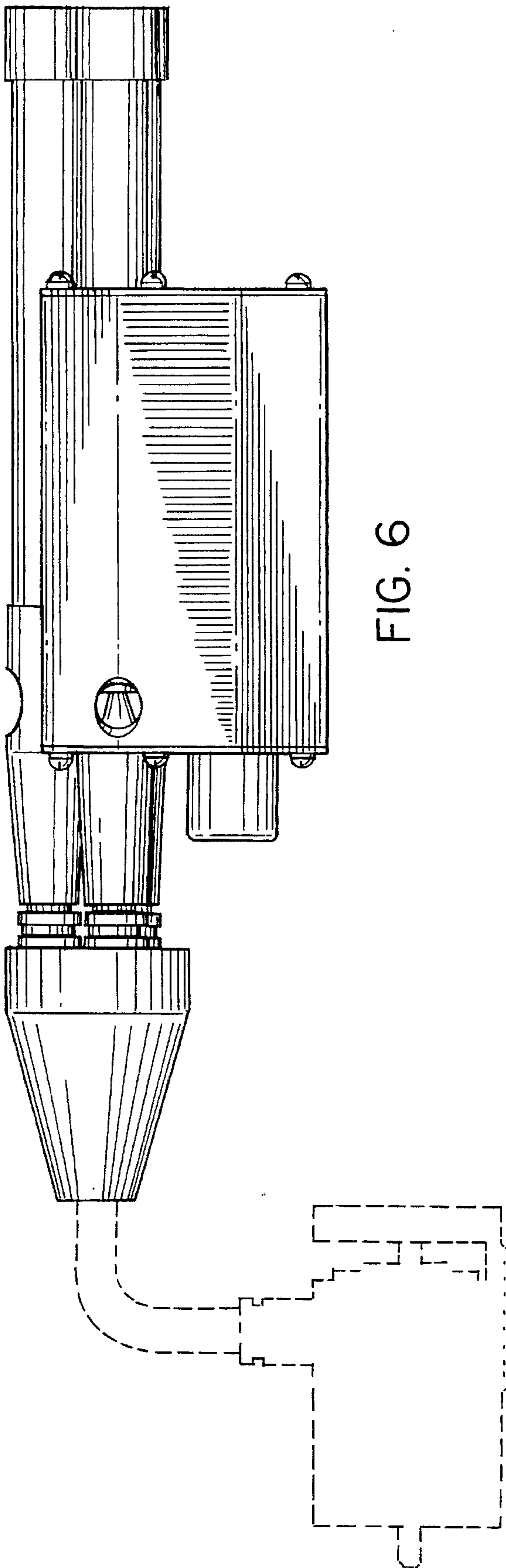


FIG. 6

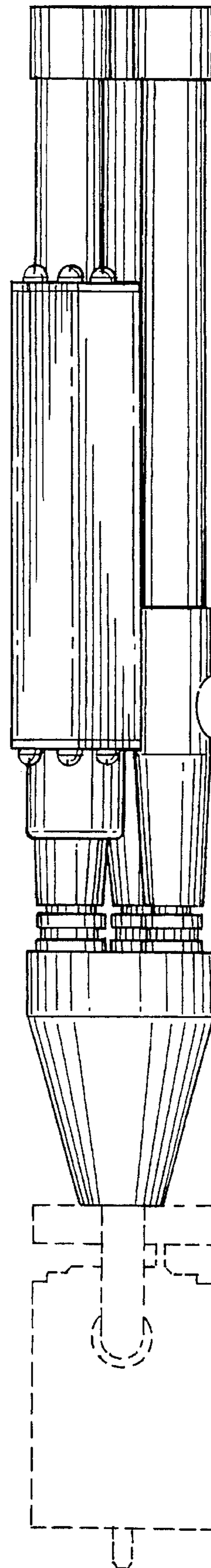


FIG. 7