



US00D374380S

United States Patent [19] Sawatsky

[11] **Patent Number:** **Des. 374,380**
[45] **Date of Patent:** ****Oct. 8, 1996**

[54] **CUTTING BOARD AND CONTAINER**

5,366,208 11/1994 Benjamin 269/289 R X

[76] Inventor: **Kim Sawatsky**, 13014 Dixie Rd.,
Brampton, Ontario, Canada, L6T 3S1

OTHER PUBLICATIONS

Cut 'n Clean order form, Copyright date 1975, StarCrest
Products of California, Inc., Revised Jun. 3, 1975.
Gifts & Decorative Accessories, p. 8, Sep. 1976.

[**] Term: **14 Years**

Primary Examiner—Nelson C. Holtje
Assistant Examiner—Caron D. Veynar
Attorney, Agent, or Firm—Dowell & Dowell

[21] Appl. No.: **43,472**

[22] Filed: **Aug. 28, 1995**

[52] U.S. Cl. **D7/698**

[58] Field of Search D7/541, 542, 667,
D7/698; D32/55, 56; 99/450; 269/289 R,
291, 302.1, 303, 315, 900

[57] CLAIM

The ornamental design for a cutting board and container, as
shown and described.

[56] References Cited

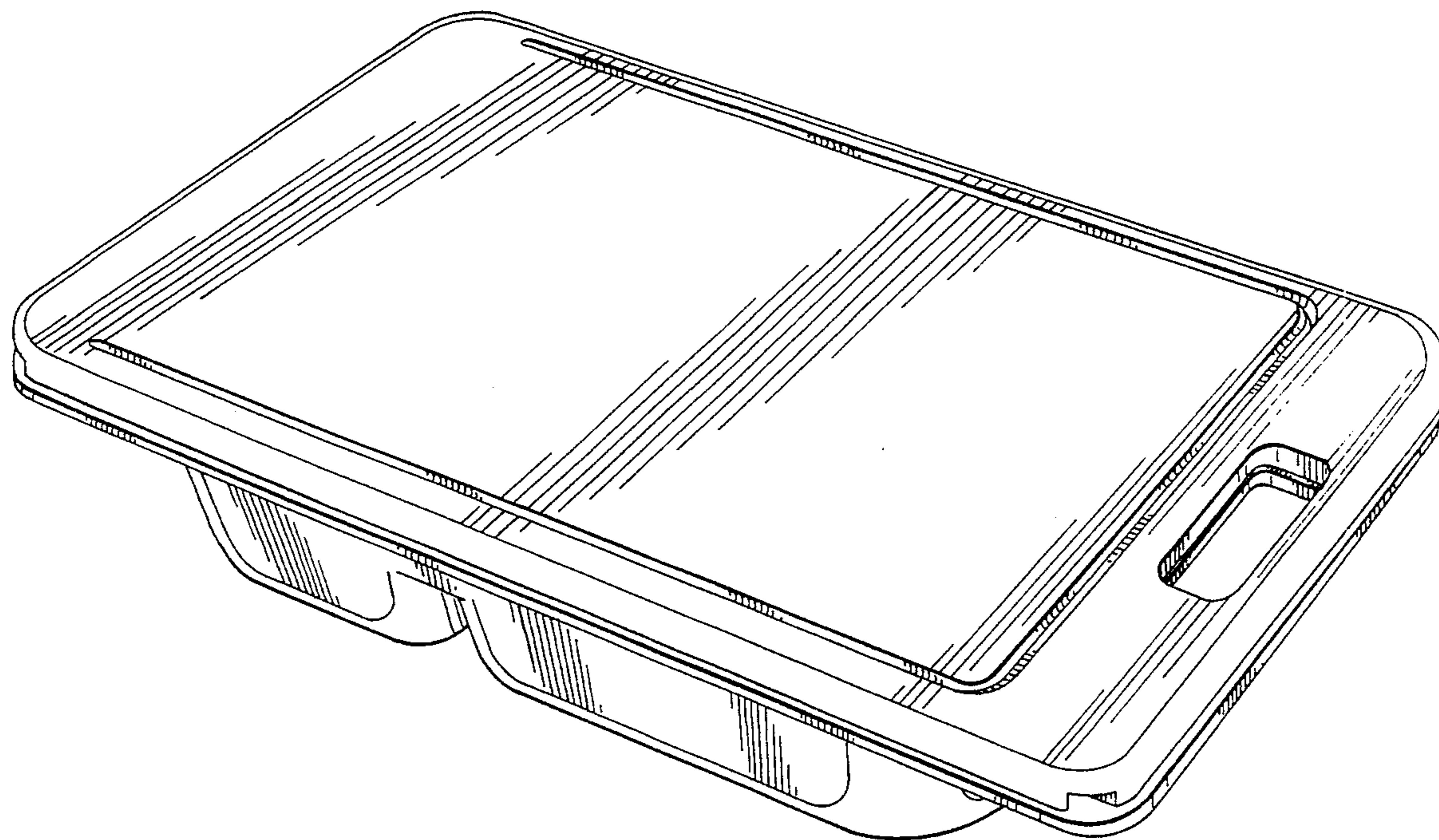
DESCRIPTION

U.S. PATENT DOCUMENTS

D. 161,596	1/1951	Russ	D7/698
D. 224,554	8/1972	Swett	D7/542 X
D. 254,529	3/1980	Arnoff	D7/698 X
D. 281,850	12/1985	Morin	D7/698
D. 283,777	5/1986	Morin	D7/698
D. 317,551	6/1991	King	D7/698 X
D. 361,272	8/1995	Craft et al.	D7/698
2,609,024	9/1952	Russ	269/289 R X
4,574,174	3/1986	McGonigle	D7/541 X
4,653,737	3/1987	Haskins et al.	D7/698 X
4,907,789	3/1990	Tice	269/289 R X

FIG. 1 is a top perspective view of a cutting board and
container showing my new design;
FIG. 2 is a bottom perspective view thereof;
FIG. 3 is a bottom plan view thereof;
FIG. 4 is a top plan view thereof;
FIG. 5 is a right side view thereof and of which the left side
is a mirror image; and,
FIG. 6 is a front view thereof, a rear view being a mirror
image thereof.

1 Claim, 5 Drawing Sheets



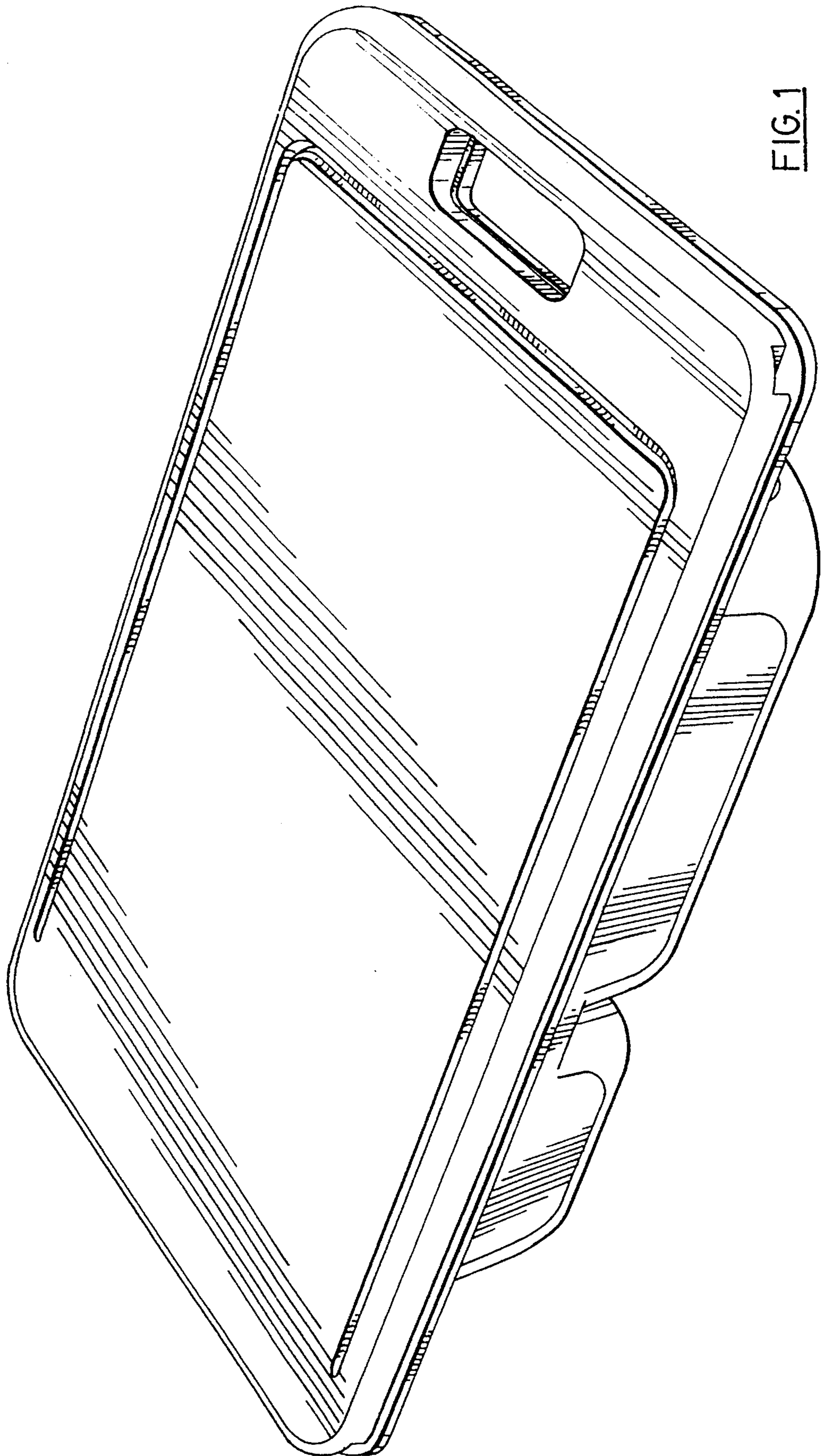


FIG. 1

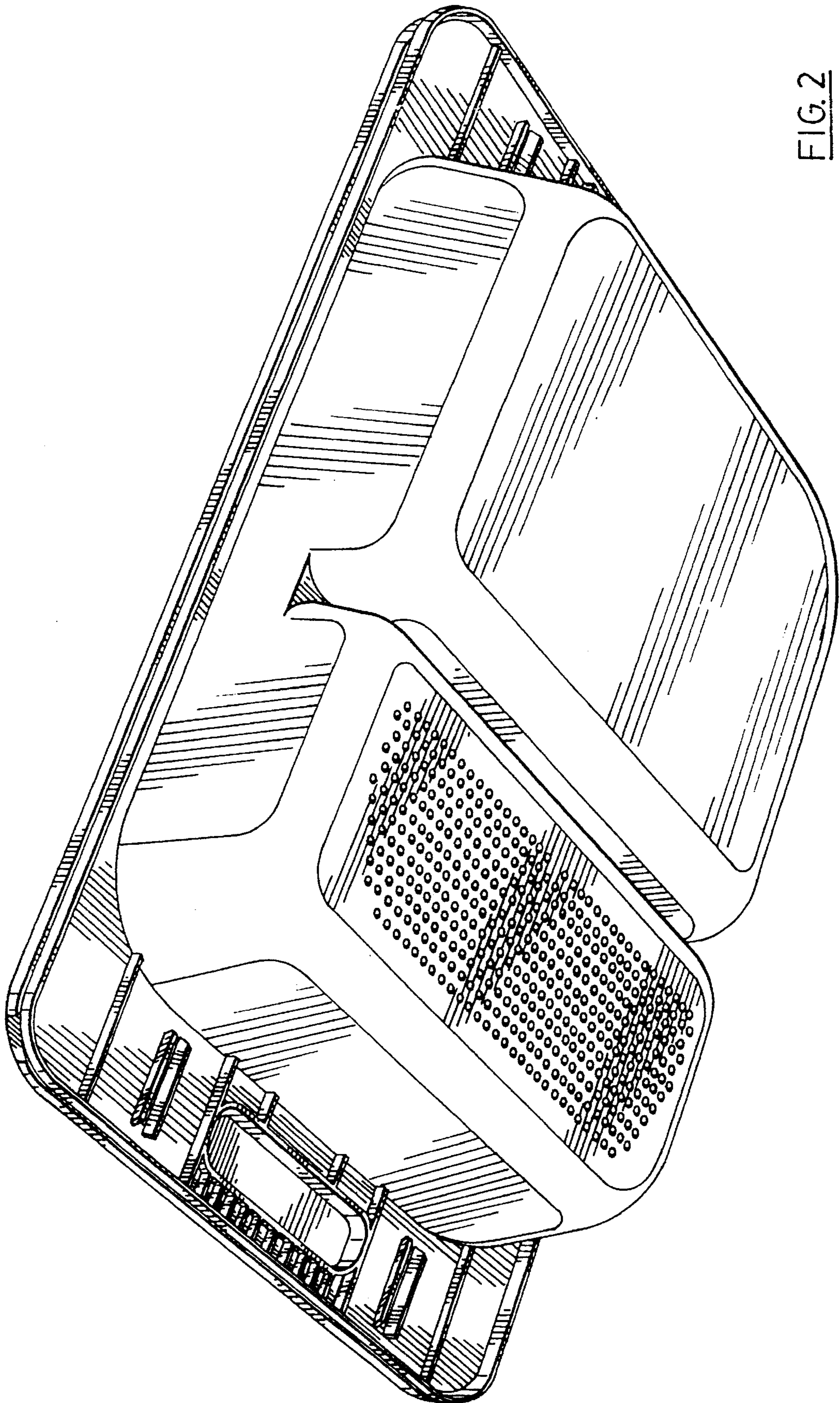


FIG. 2

FIG. 3

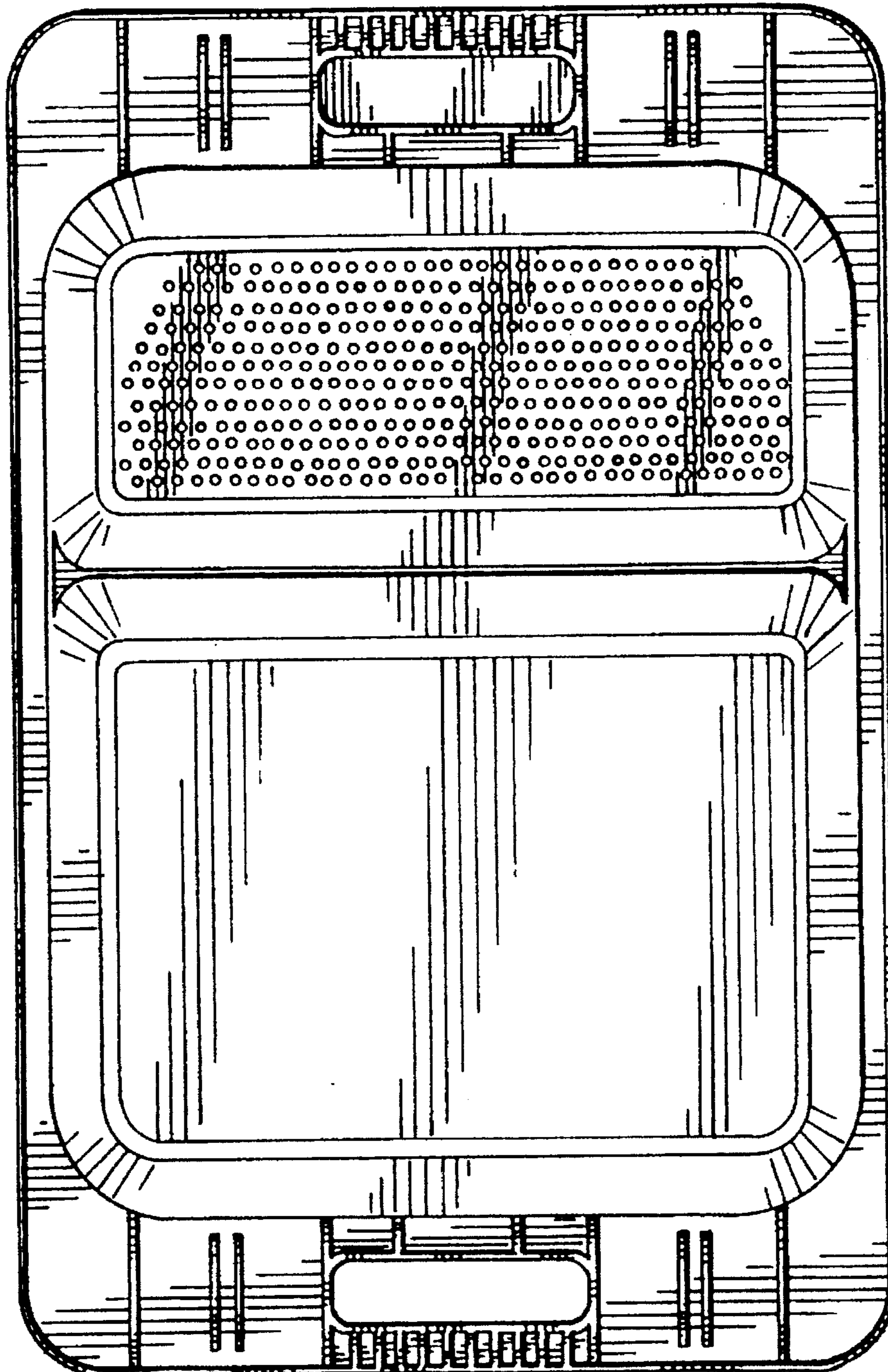
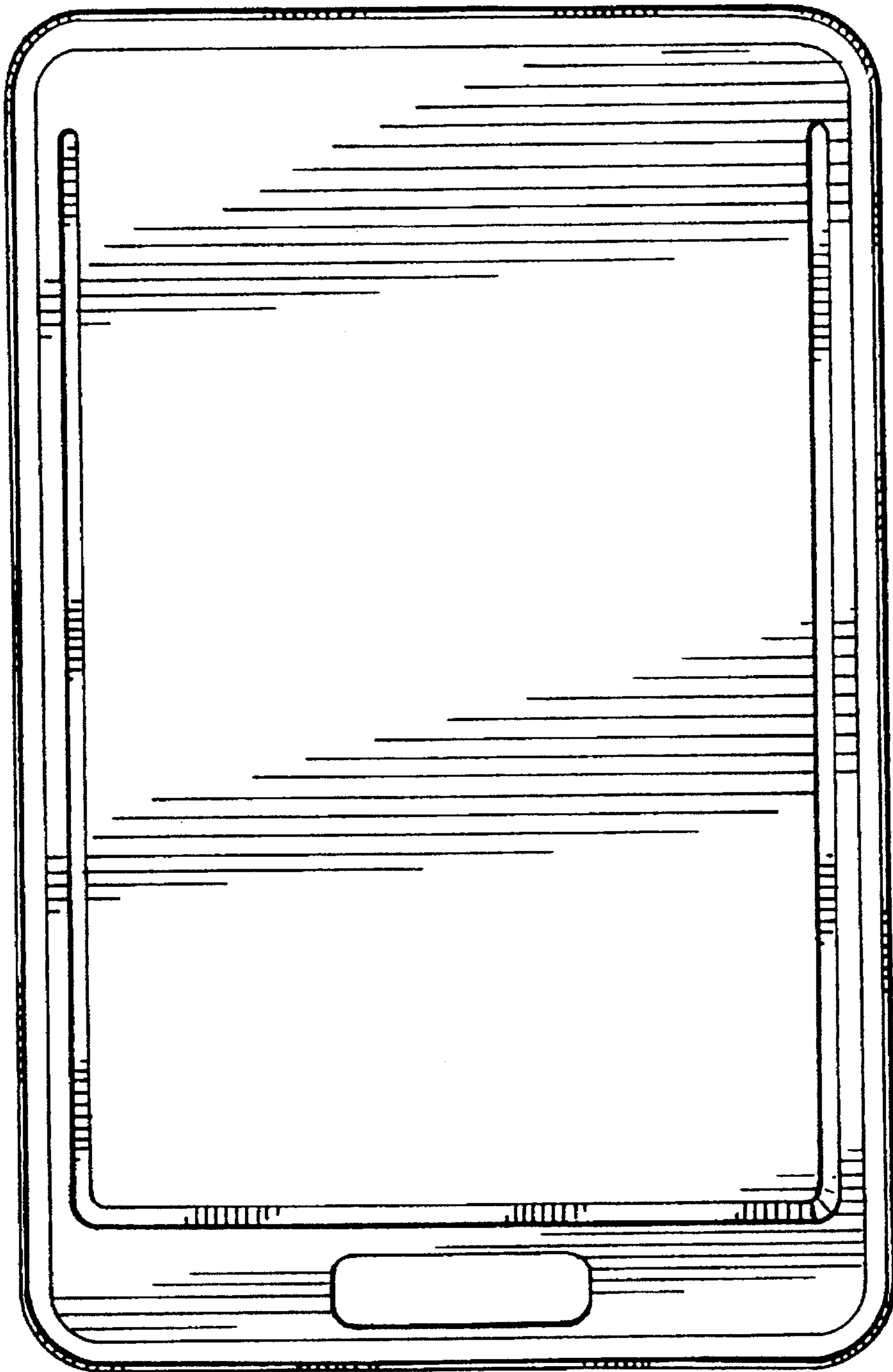


FIG. 4



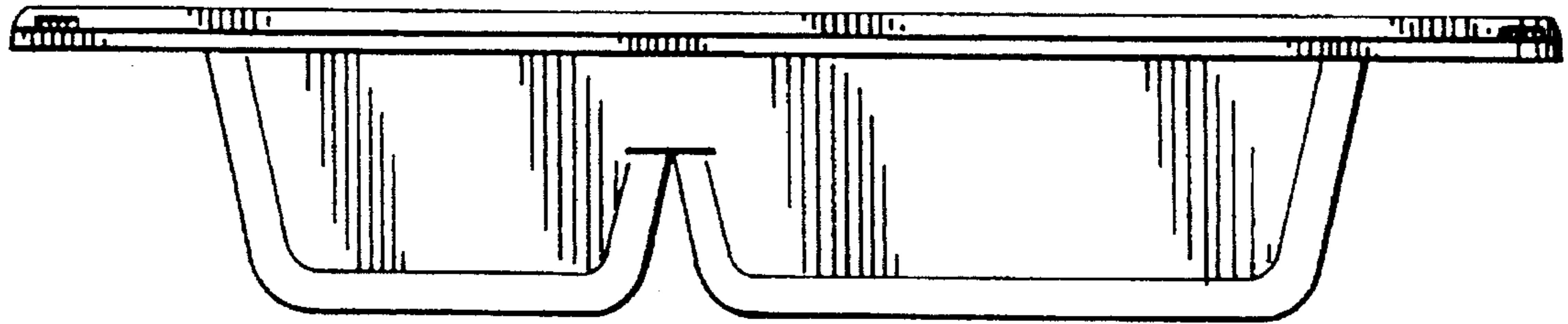


FIG. 5

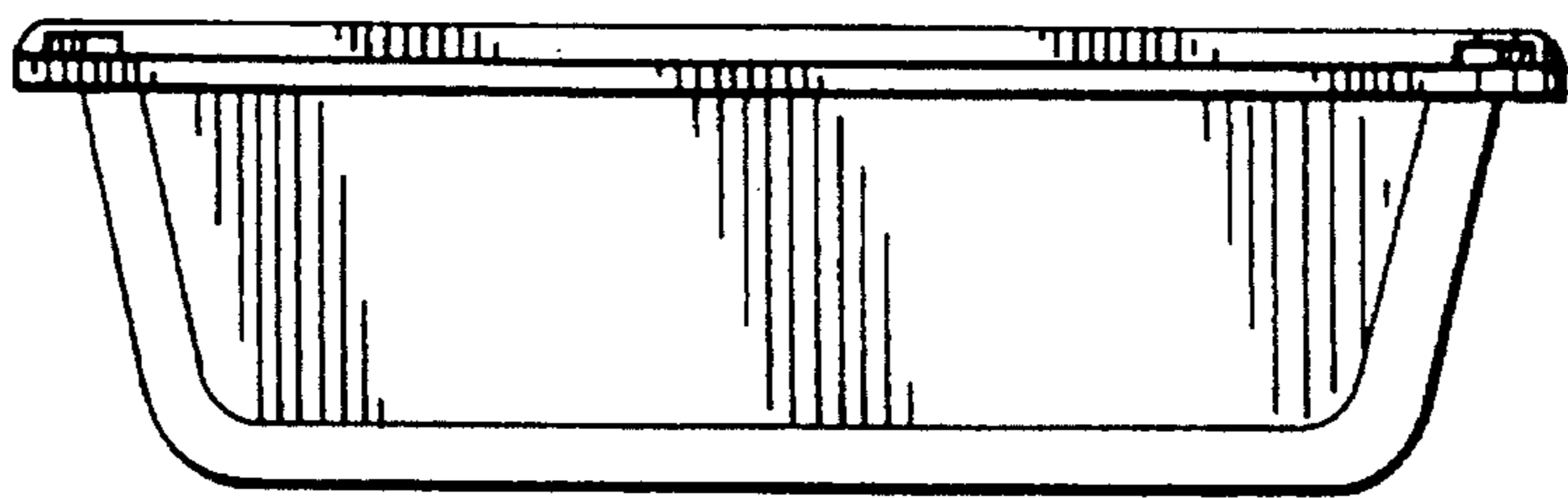


FIG. 6