



US00D374379S

United States Patent [19]

Jee et al.

[11] Patent Number: **Des. 374,379**

[45] Date of Patent: ****Oct. 8, 1996**

[54] **CHOPSTICK**

[75] Inventors: **Lynette Jee; Demitri Economou**, both of Honolulu, Hi.

[73] Assignee: **Rookie Stix, Inc.**, Honolulu, Hi.

[**] Term: **14 Years**

[21] Appl. No.: **21,361**

[22] Filed: **Apr. 13, 1994**

988,869	4/1911	Franklin	294/99.2	X
3,892,435	7/1975	Huey	294/33	X
4,312,530	1/1982	Young	294/99.2	X
4,707,922	11/1987	Hosak-Robb	294/99.2	X
4,973,095	11/1990	Kunihisa	294/33	X

Primary Examiner—Martie Thompson
Assistant Examiner—Caron D. Veynar
Attorney, Agent, or Firm—Larson and Taylor

Related U.S. Application Data

[63] Continuation-in-part of Ser. No. 877,582, Apr. 30, 1992, abandoned.

[52] U.S. Cl. **D7/642**

[58] Field of Search D7/642, 686, 687;
294/1.1, 5.5, 33, 118, 99.2

References Cited

U.S. PATENT DOCUMENTS

D. 345,086 3/1994 Shapiro D7/642

[57] CLAIM

The ornamental design for a chopstick, as shown.

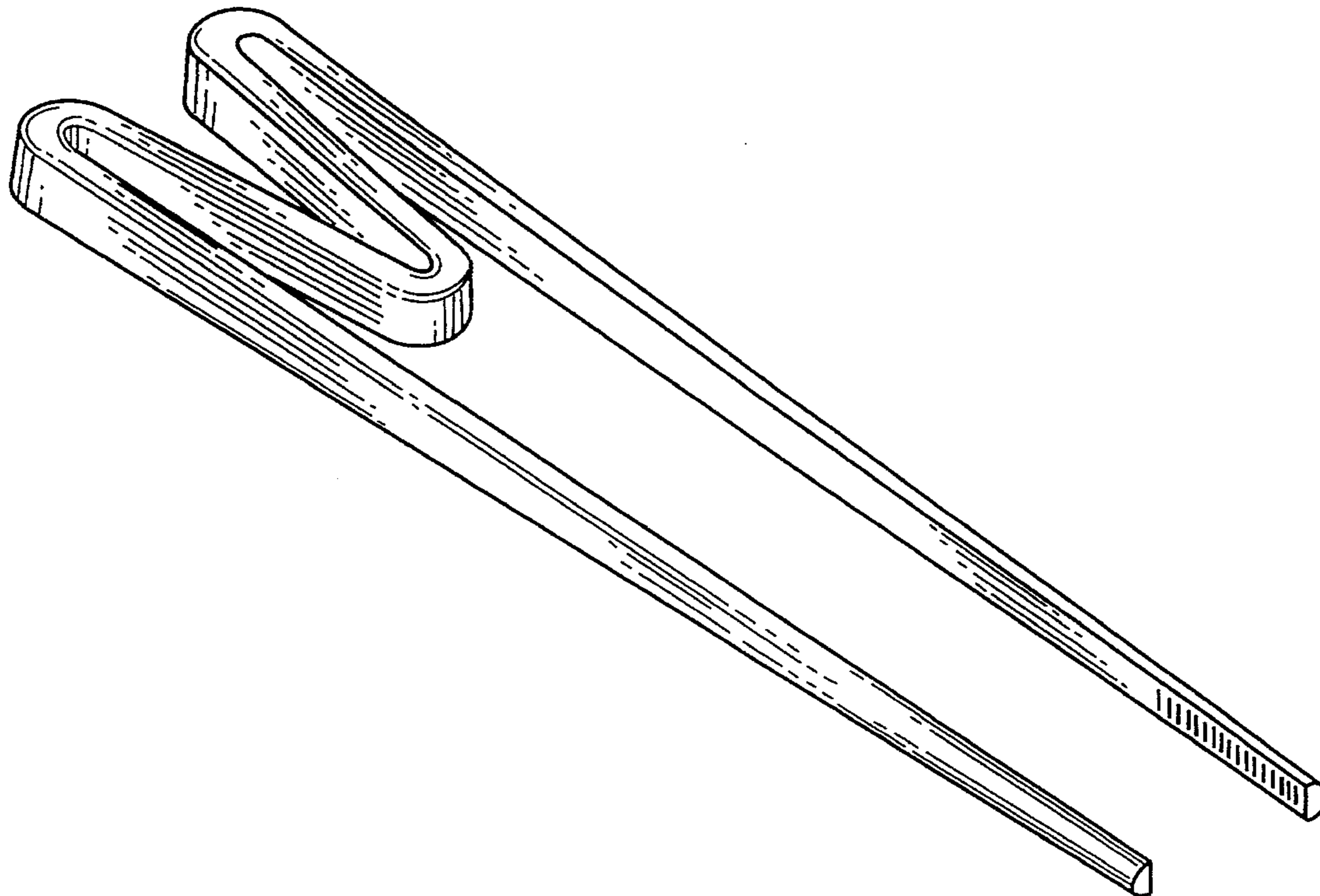
DESCRIPTION

FIG. 1 is a front, bottom and left side perspective view of a chopstick showing our new design;

FIG. 2 is a top plan view; and,

FIG. 3 is a rear elevational view.

1 Claim, 2 Drawing Sheets



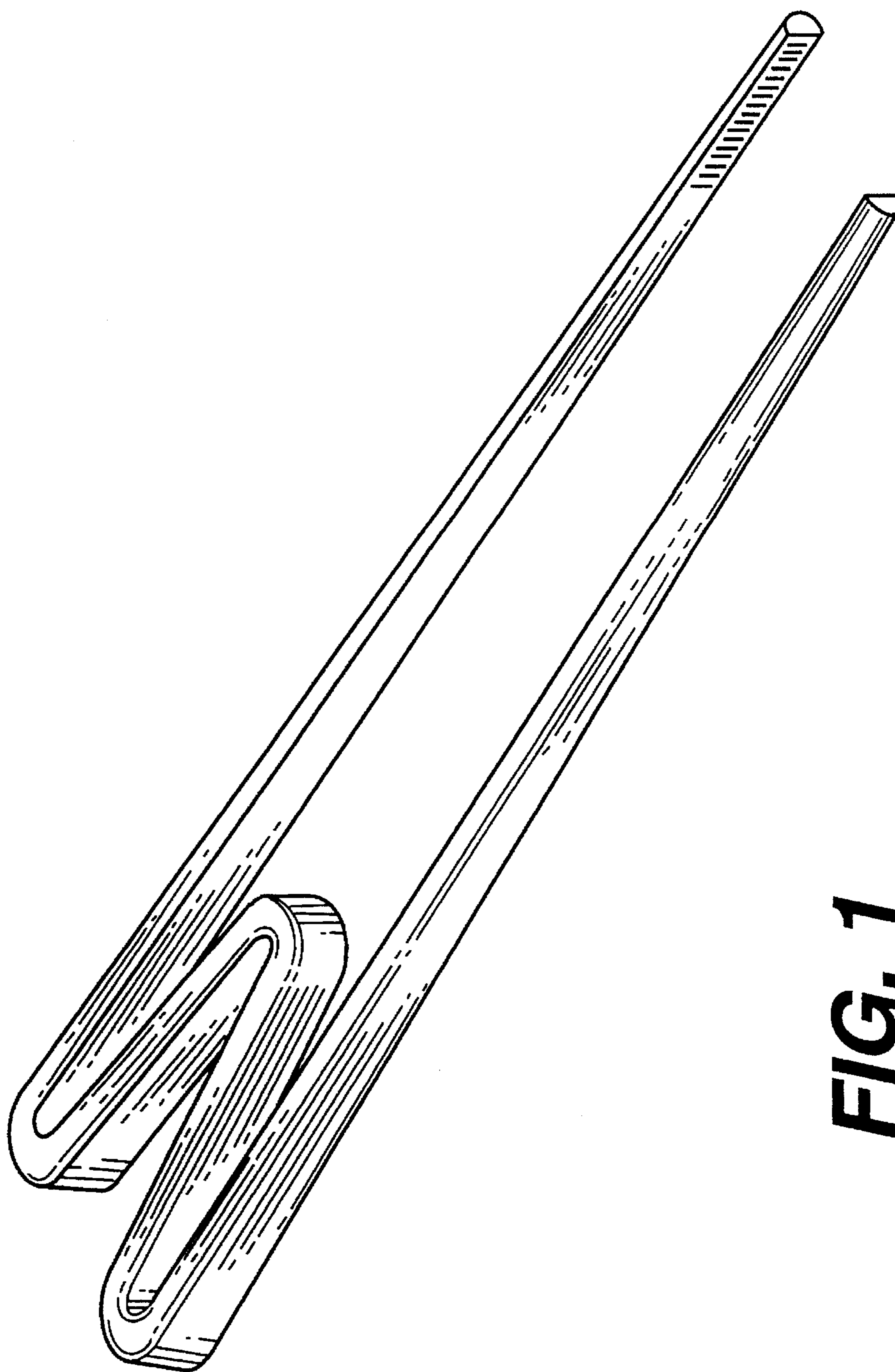


FIG. 1

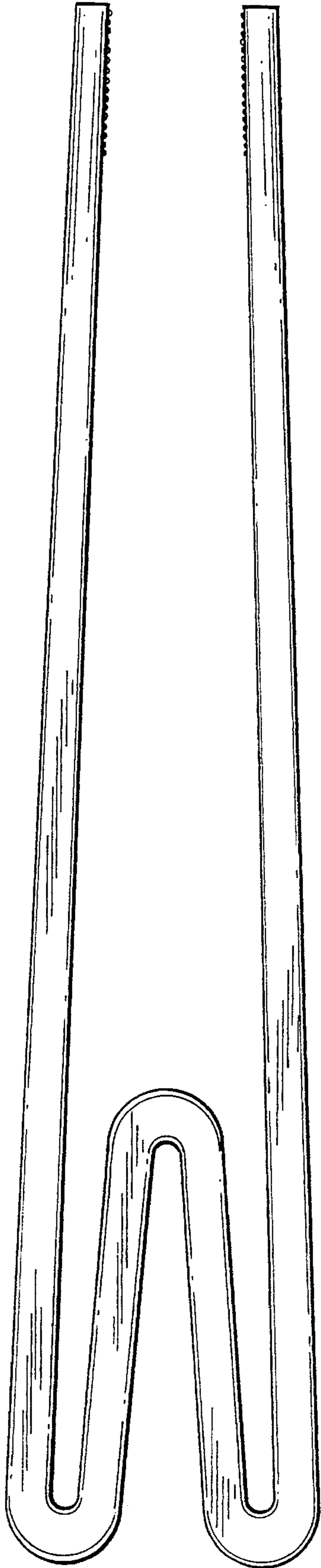


FIG. 2



FIG. 3