



US00D374378S

United States Patent [19]

[11] Patent Number: **Des. 374,378**

Hyden et al.

[45] Date of Patent: ****Oct. 8, 1996**

[54] **GRILL LINER**

4,901,706 2/1990 Schwanke, Jr. 126/25 R X

[76] Inventors: **Don Hyden; Ruth Hyden**, both of
1255 Old Swimming Pool Rd.,
Jefferson, Ga. 30549

Primary Examiner—Nelson C. Holtje
Assistant Examiner—Caron D. Veynar
Attorney, Agent, or Firm—Harold H. Dutton, Jr.; W. Charles
I. Jamisop; Diane F. Liebman

[**] Term: **14 Years**

[57] **CLAIM**

[21] Appl. No.: **40,319**

The ornamental design for a grill liner, as shown and described.

[22] Filed: **Jun. 15, 1995**

[52] U.S. Cl. **D7/402; D7/407; D7/409**

DESCRIPTION

[58] **Field of Search** D7/323, 388, 402,
D7/407, 409, 332; D3/244; D6/610; 16/121;
99/312, 403, 450; 126/25 R, 39 M; 220/400,
403, 404; 366/347; 150/164, 165, 901,
905

FIG. 1 is a perspective view of a grill liner showing our new design, the broken line showing of a grill is for illustrative purposes only and forms no part of the claimed design;
FIG. 2 is a top plan view, the bottom plan view being a mirror image thereof;
FIG. 3 is a right side view, the left side view being a mirror image thereof;
FIG. 4 is a rear view thereof;
FIG. 5 is a front view thereof; and,
FIG. 6 is a front view of the grill liner after removal from the grill.

[56] **References Cited**

U.S. PATENT DOCUMENTS

D. 341,934	12/1993	Abraham	D3/244
D. 355,298	2/1995	Beger	D3/244
1,328,652	1/1920	Ehlers	366/347
1,590,629	6/1926	Julius	16/121
2,486,320	10/1949	Ost	366/347
3,316,892	5/1967	Hanke	D7/332 X

1 Claim, 3 Drawing Sheets

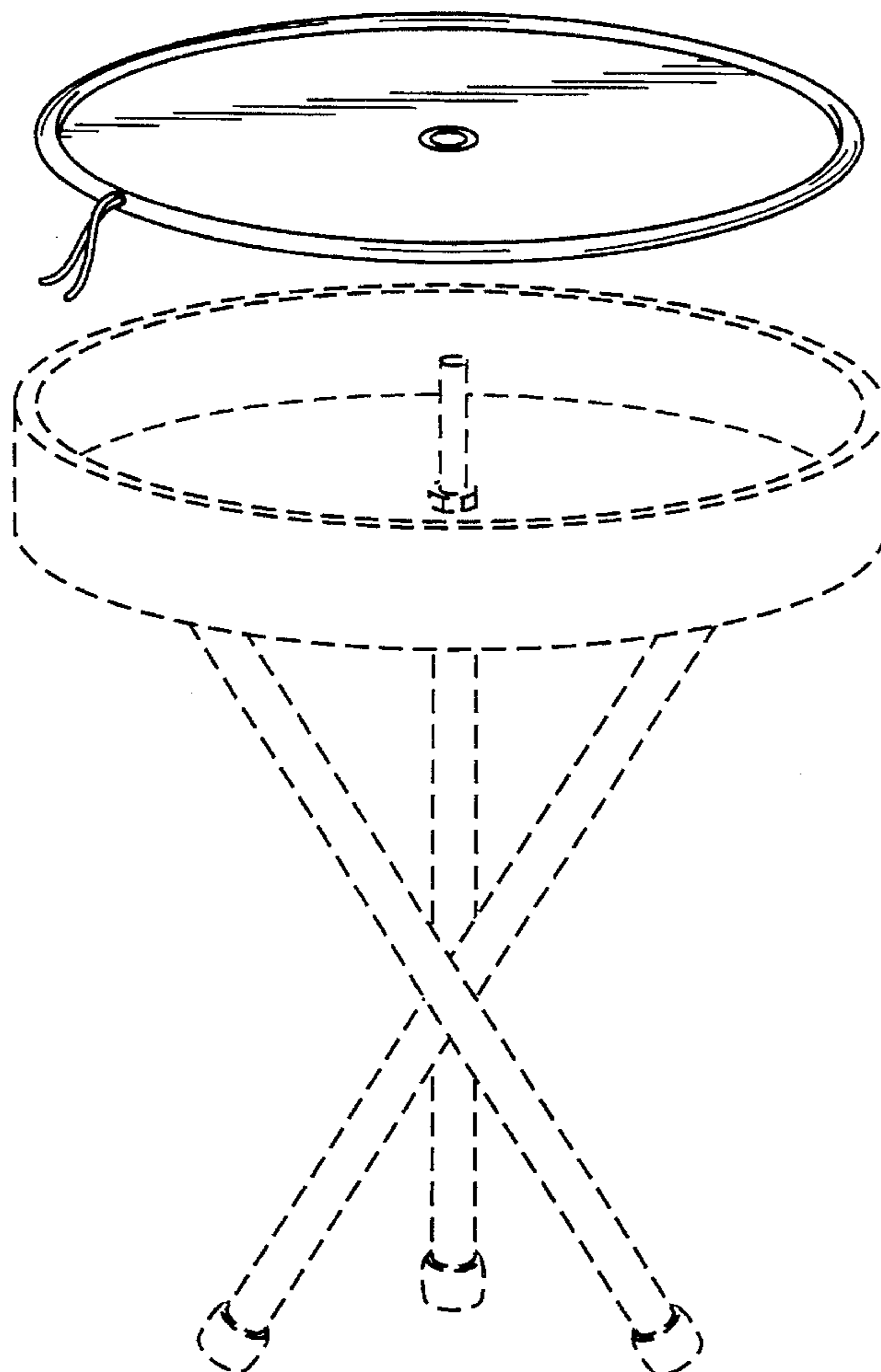
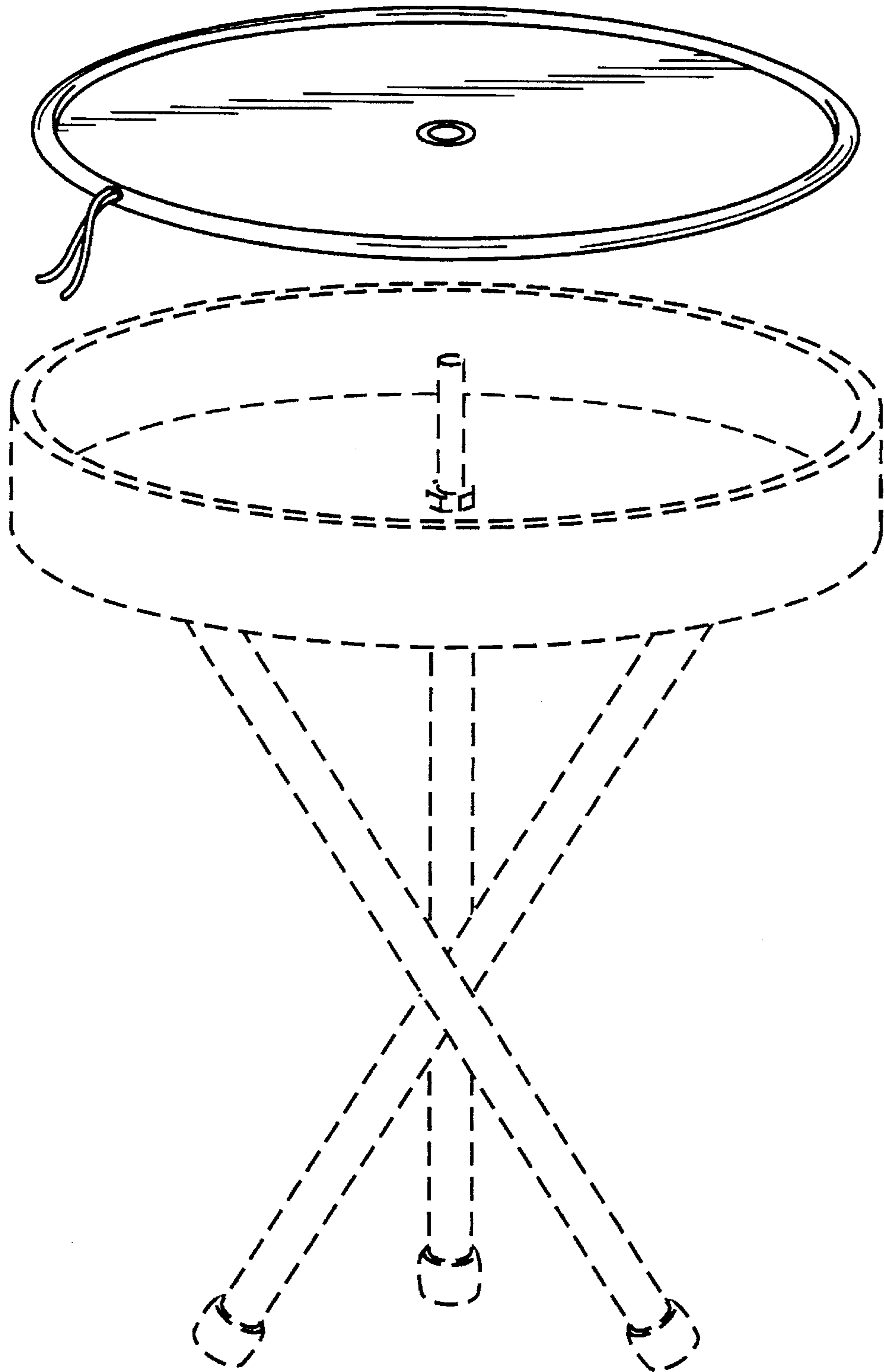


FIG. 1



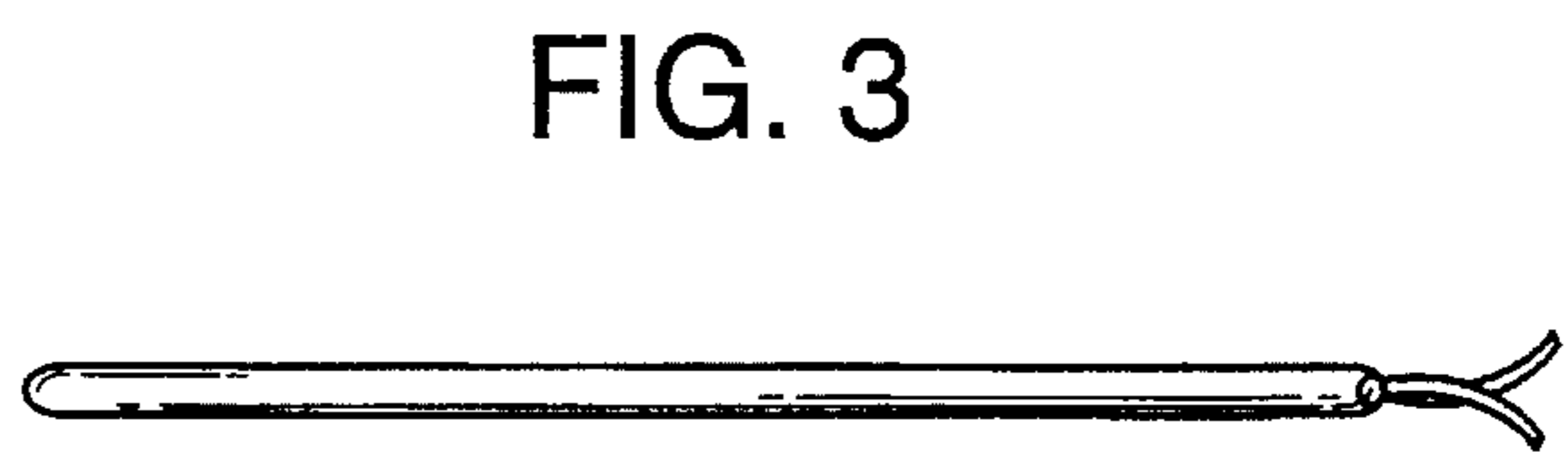
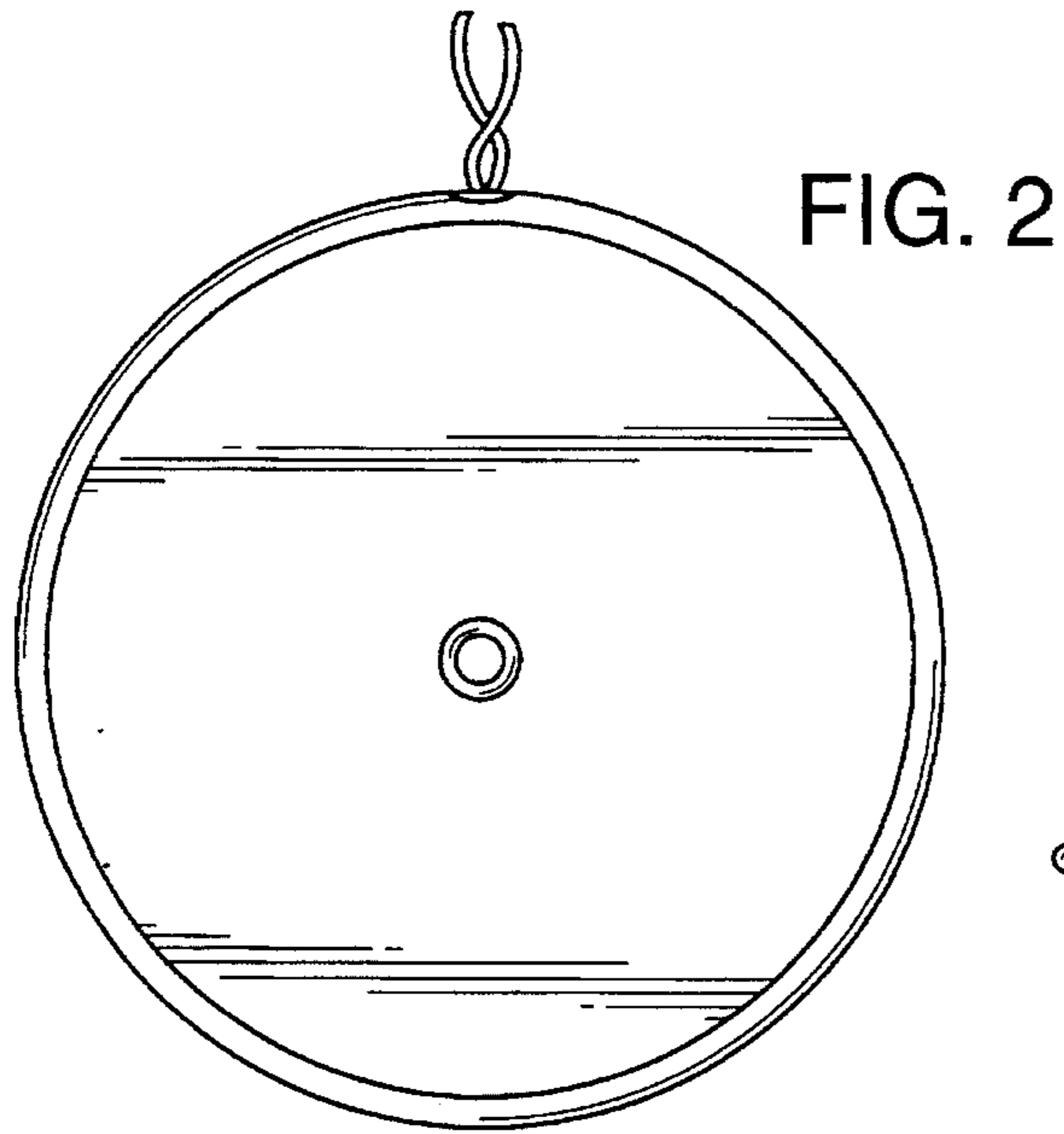


FIG. 4

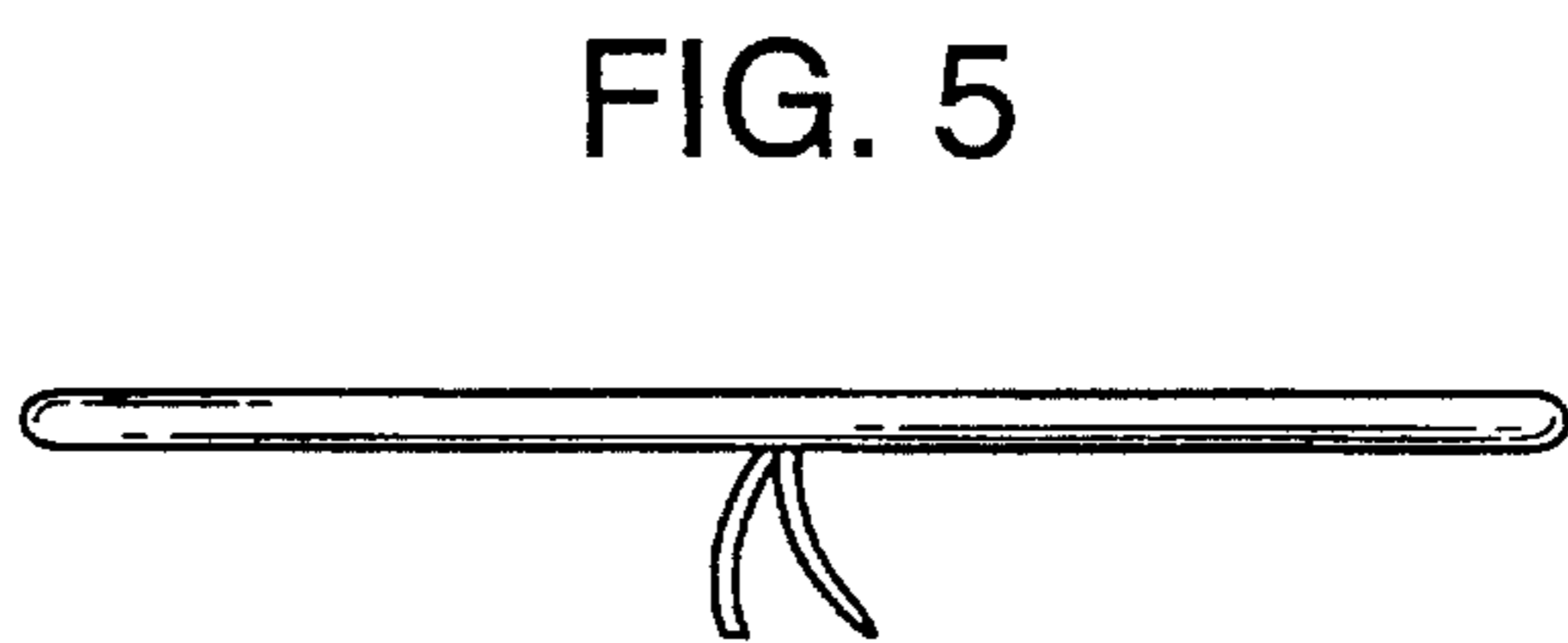


FIG. 5

FIG. 6

