



US00D374376S

United States Patent [19]

[11] Patent Number: **Des. 374,376**

Goins et al.

[45] Date of Patent: ****Oct. 8, 1996**

[54] **COVER FOR A FOOD CONTAINER**

[75] Inventors: **Timothy S. Goins**, Evanston; **Stephen A. Smith**, Naperville; **Matthew O. Banach**, Lake Zurich; **Daniel R. Proper**, Downers Grove, all of, Ill.

[73] Assignee: **Tenneco Packaging**, Evanston, Ill.

[**] Term: **14 Years**

[21] Appl. No.: **46,479**

[22] Filed: **Nov. 15, 1995**

[52] U.S. Cl. **D7/392.1; D9/429**

[58] Field of Search **D7/391, 392.1, D7/538, 540; D9/439, 453, 454, 449, 431, 429; 220/306, 356; 215/320; 206/519**

[56] **References Cited**

U.S. PATENT DOCUMENTS

D. 93,461	10/1934	Vaulchier	D9/429
D. 195,699	7/1963	Bostrom	D9/429
D. 345,912	4/1994	Krupa	D9/429
D. 358,091	5/1995	Warburton	D9/431 X
3,690,902	9/1972	Dahl	206/519 X
4,375,862	3/1983	Kurinsky et al.	D7/392.1 X
5,441,166	8/1995	Lucas, Jr. et al.	D7/392.1

OTHER PUBLICATIONS

Ultra Pac Catalog, "Ultra Fresh™ Bakery Containers", Ultra Pac, Inc. Rogers, Minnesota, Mar. 1995, pp. 1-9.
Mobil Brochure, "Mobil Dura View™ Bakery Containers", Mobil Chemical Plastics Division, 1993, 4 pages.

Mobil Brochure, "Clear View™ Containers", Mobil Chemical Plastics Division, date unknown, 8 pages.

PCA Product Sheet, "Showcake® Packing", PCA Specialty Packaging Group, Northbrook, Illinois, 1994, one page.

PCA Product Sheet "Sweet Treats for Special Times", PCA Specialty Packaging Group, Northbrook, Illinois, Dec. 1994, one sheet.

PCA Brochure, "Showcake® Packaging", PCA Specialty Packaging Group, Northbrook, Illinois, Feb. 1995, four pages.

Ultra Pac Product Sheet, "Ultra Fresh™ Bakery Containers", Ultra Pac, Inc., Rogers, Minnesota, date unknown, one sheet.

Plastics Incorporated Catalog, "Plastics Incorporated ", Plastics Inc., St. Paul, Minnesota, 1994, pp. 1-24.

Primary Examiner—M. N. Pandozzi

Attorney, Agent, or Firm—Arnold, White & Durkee

[57] **CLAIM**

The ornamental design for a cover food container, as shown and described.

DESCRIPTION

FIG. 1 is a perspective view of a cover for a food container showing our new design;

FIG. 2 is a top plan view thereof;

FIG. 3 is a front elevational view thereof;

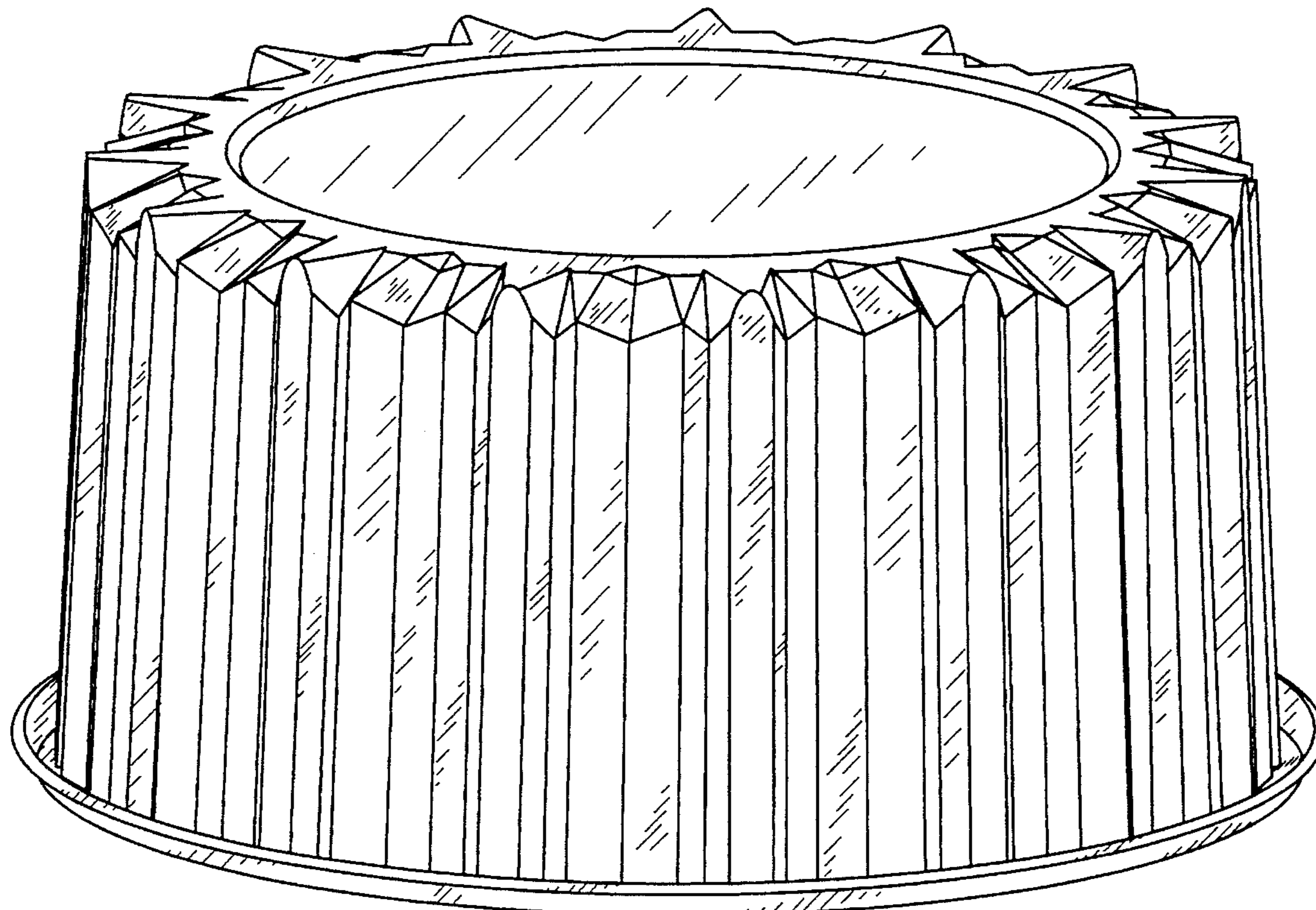
FIG. 4 is a left side elevational view thereof;

FIG. 5 is a back elevational view thereof;

FIG. 6 is a bottom view thereof; and,

FIG. 7 is a side elevational view thereof.

1 Claim, 4 Drawing Sheets



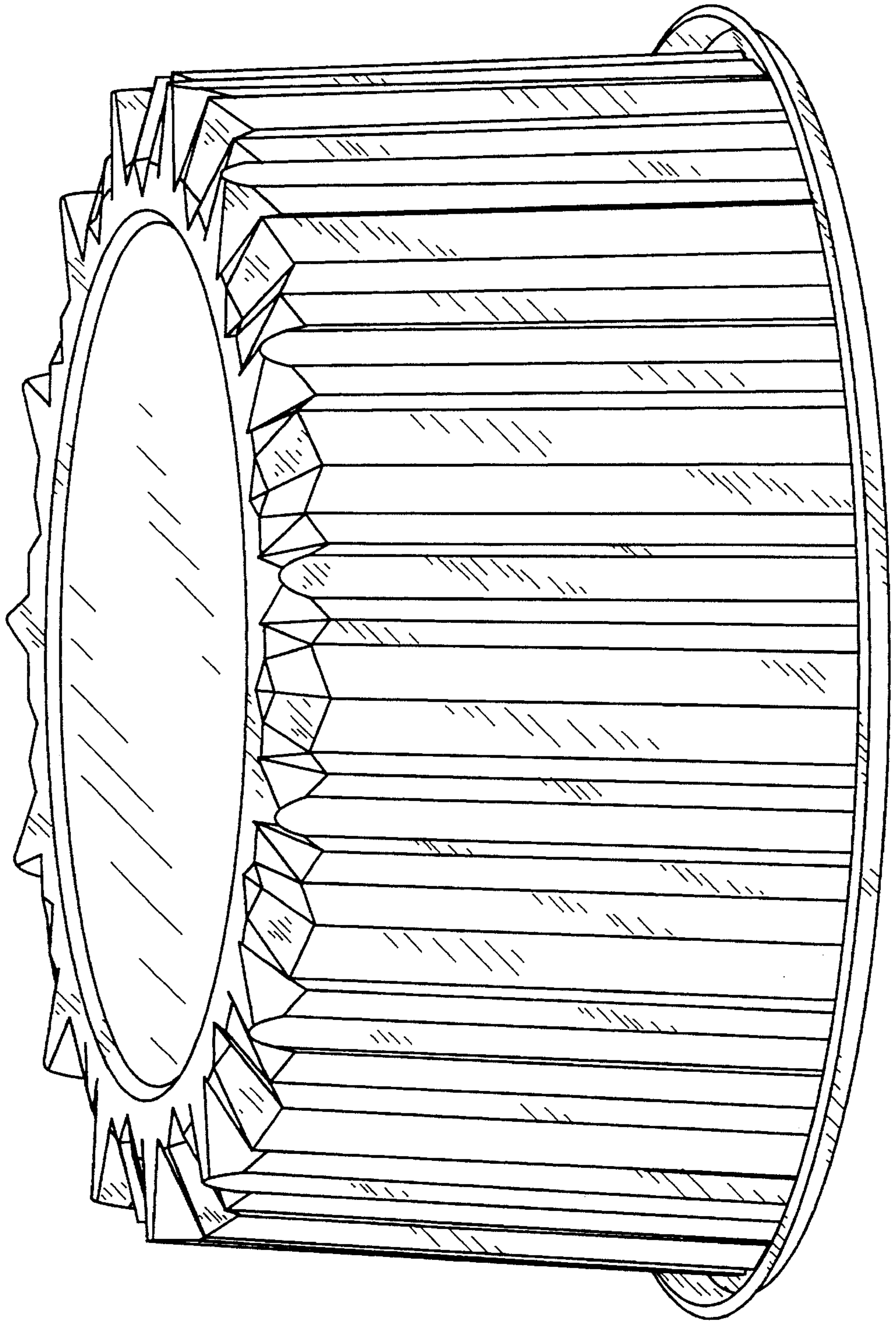


Fig. 1

Fig. 2

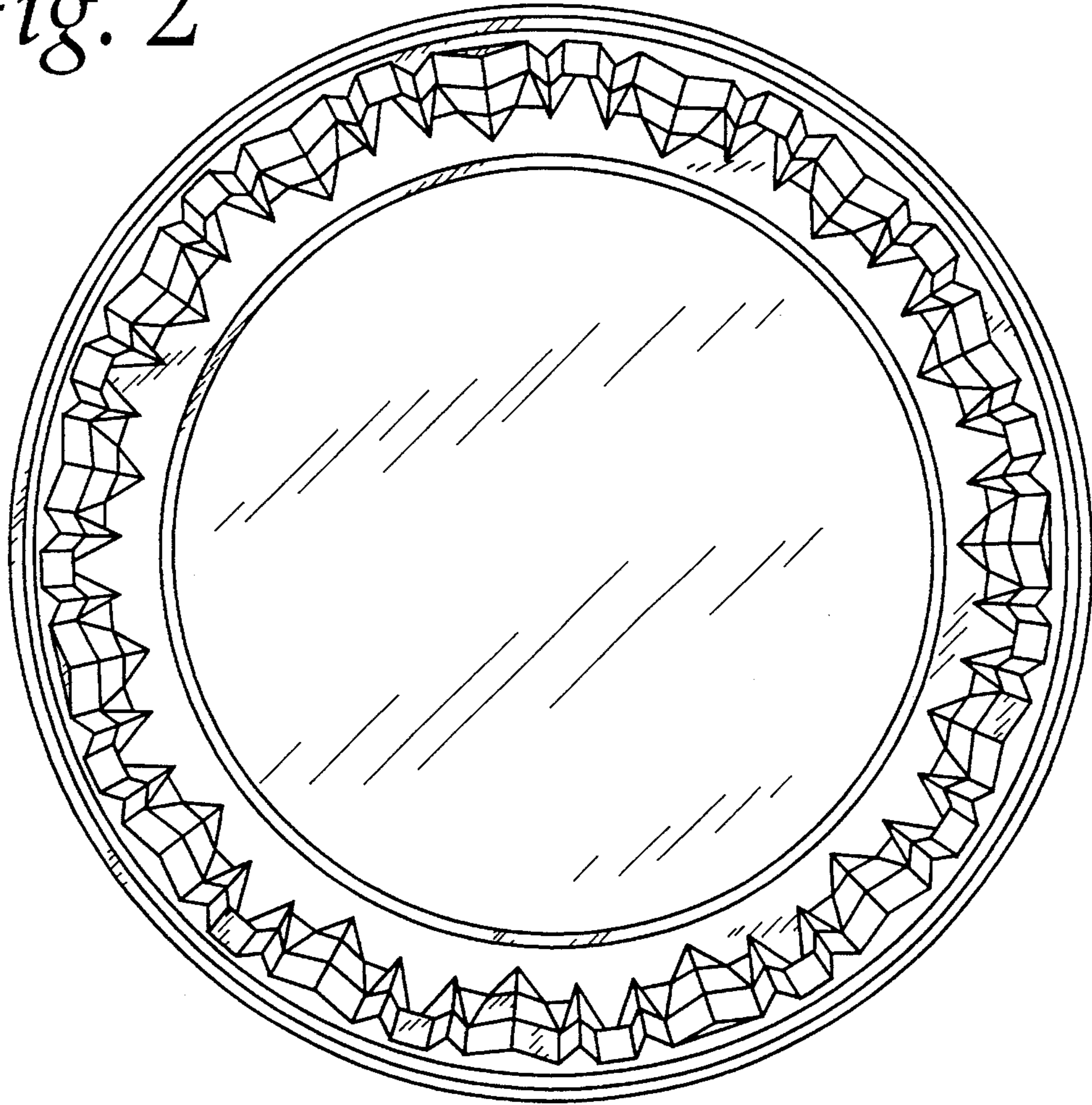


Fig. 3

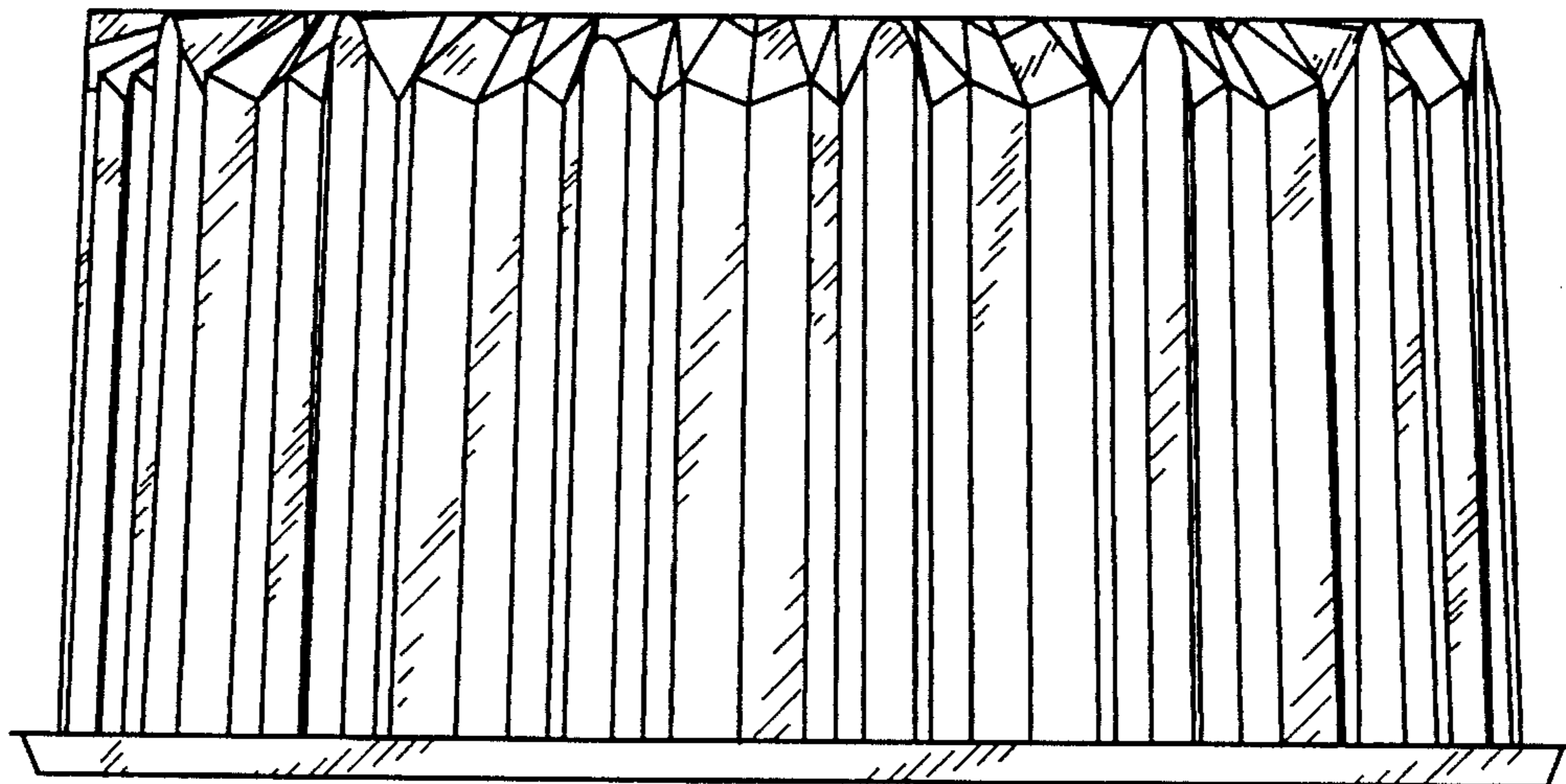


Fig. 4

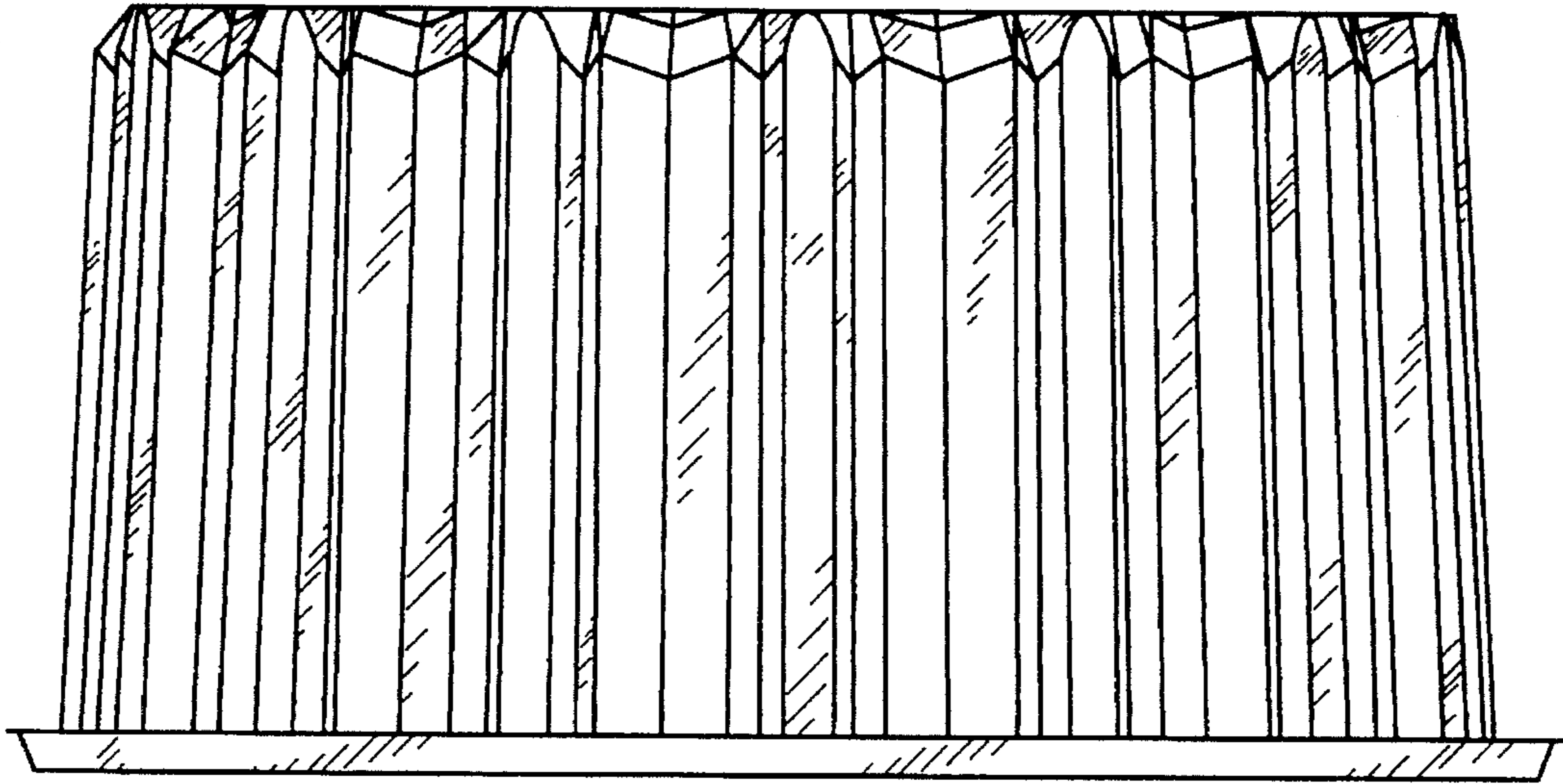


Fig. 5

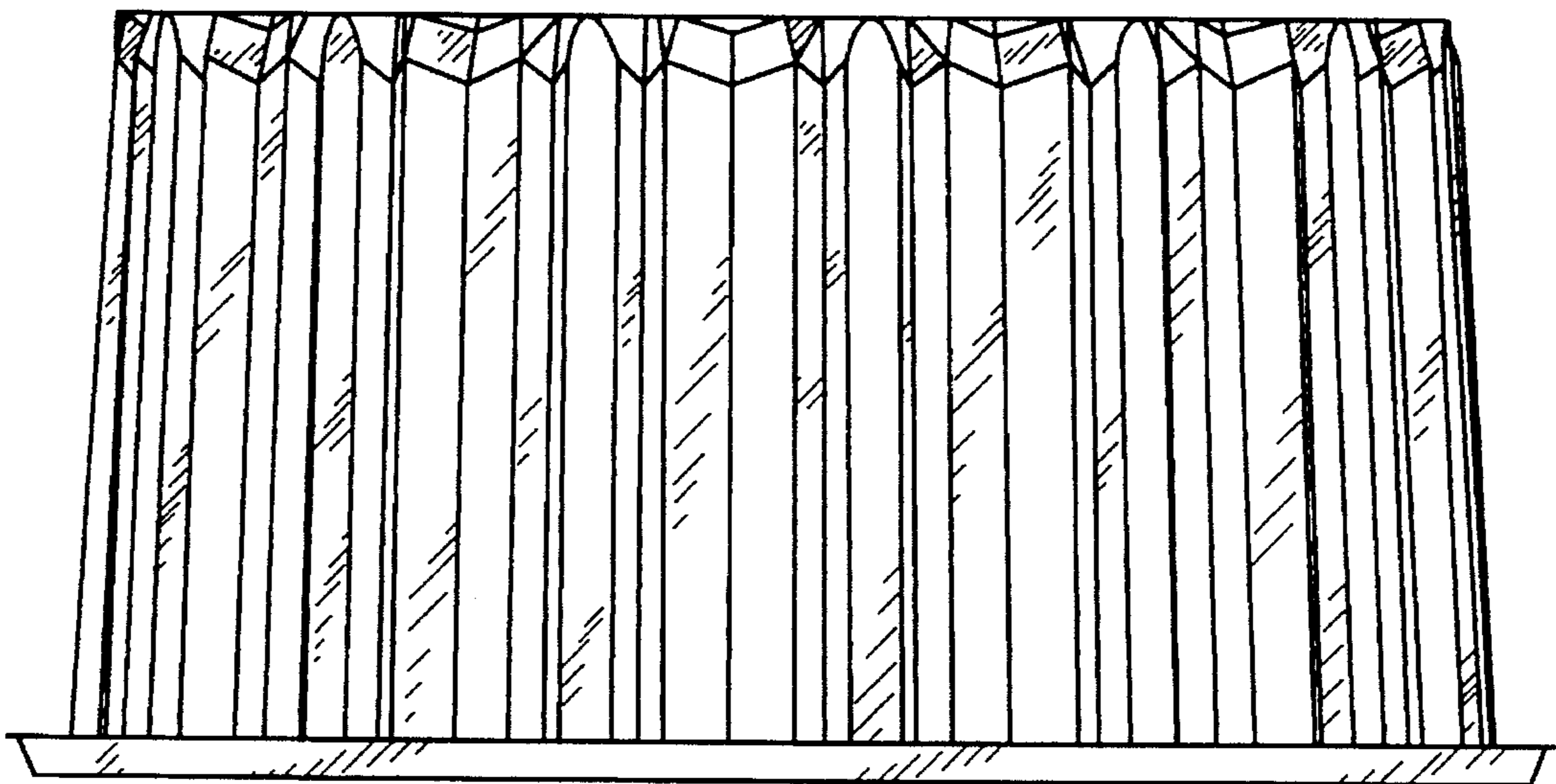


Fig. 6

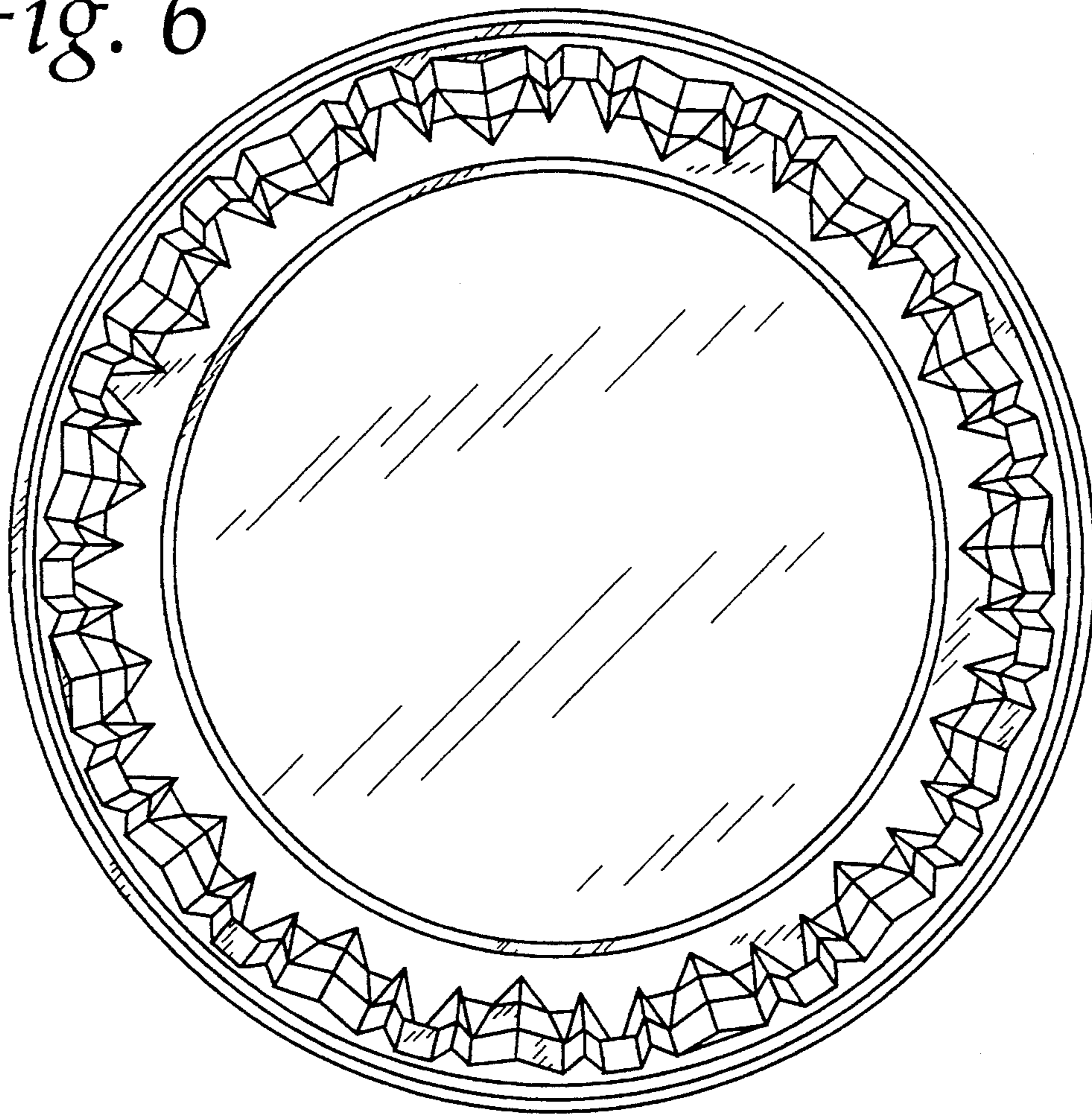


Fig. 7

