



US00D374374S

# United States Patent [19]

Breur et al.

[11] Patent Number: **Des. 374,374**

[45] Date of Patent: **\*\*Oct. 8, 1996**

[54] **FOOD PROCESSOR**

[75] Inventors: **Jacob Breur; Alberto Heredia**, both of Sao Paulo, Brazil

[73] Assignee: **U.S. Philips Corporation**, New York, N.Y.

[\*\*] Term: **14 Years**

[21] Appl. No.: **45,107**

[22] Filed: **Oct. 10, 1995**

[52] U.S. Cl. .... **D7/386; D7/384**

[58] Field of Search ..... **D7/376, 379, 384, D7/386, 412; 241/37.5, 92, 93, 101.1, 199.12, 282.1, 282.2**

[56] **References Cited**

**U.S. PATENT DOCUMENTS**

D. 254,950 5/1980 Besford ..... D7/386  
D. 296,860 7/1988 Maass ..... D7/384

D. 297,901 10/1988 Barrault ..... D7/384  
D. 323,763 2/1992 Barrault ..... D7/376 X

*Primary Examiner*—Nelson C. Holtje  
*Assistant Examiner*—Caron D. Veynar  
*Attorney, Agent, or Firm*—Jack E. Haken

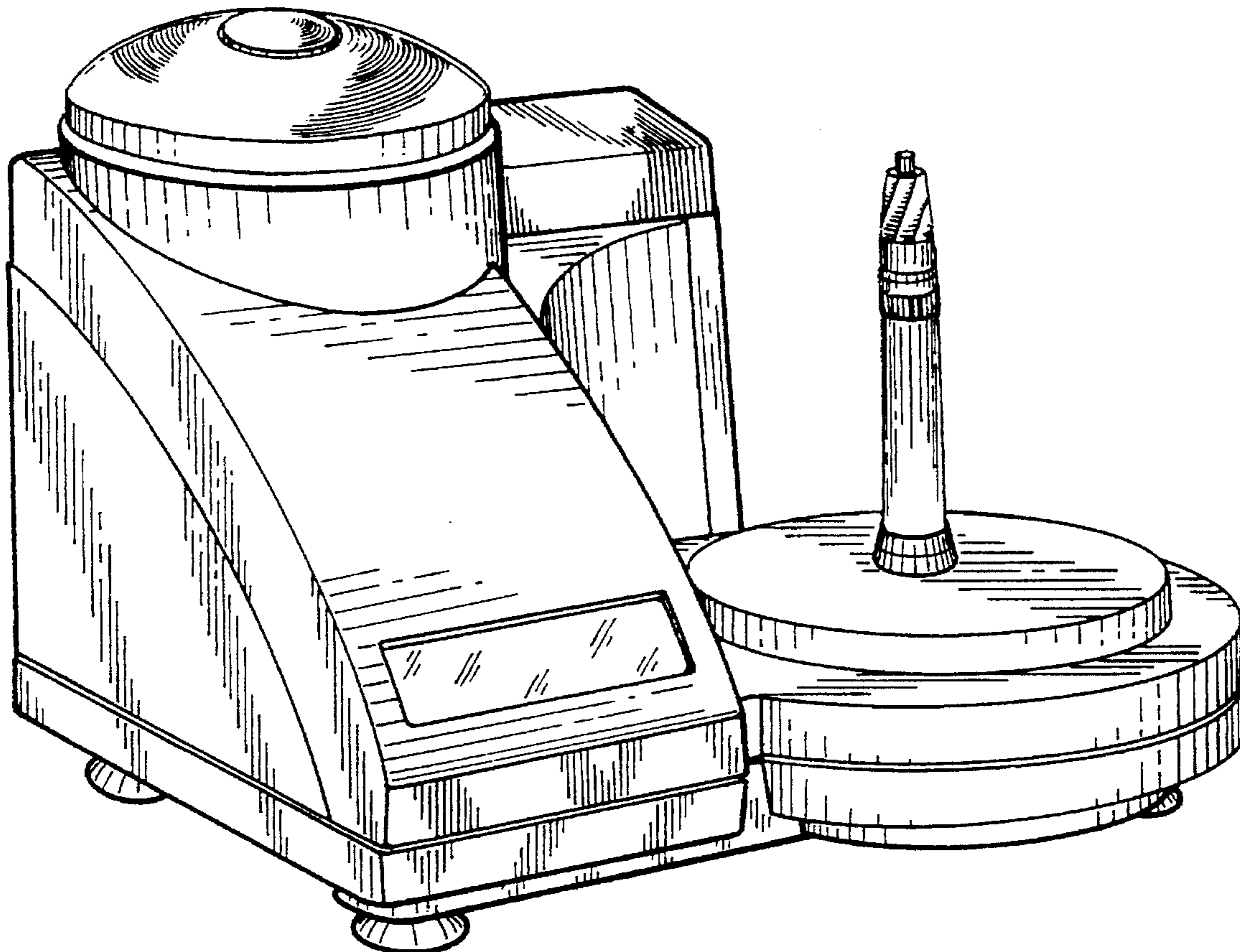
[57] **CLAIM**

The ornamental design for a food processor, as shown.

**DESCRIPTION**

FIG. 1 is a front, top, left side, perspective view showing our new design;  
FIG. 2 is a front elevational view thereof;  
FIG. 3 is a rear elevational view thereof;  
FIG. 4 is a right side elevational view thereof;  
FIG. 5 is a left side elevational view thereof;  
FIG. 6 is a top plan view thereof; and,  
FIG. 7 is a bottom plan view thereof.

**1 Claim, 7 Drawing Sheets**



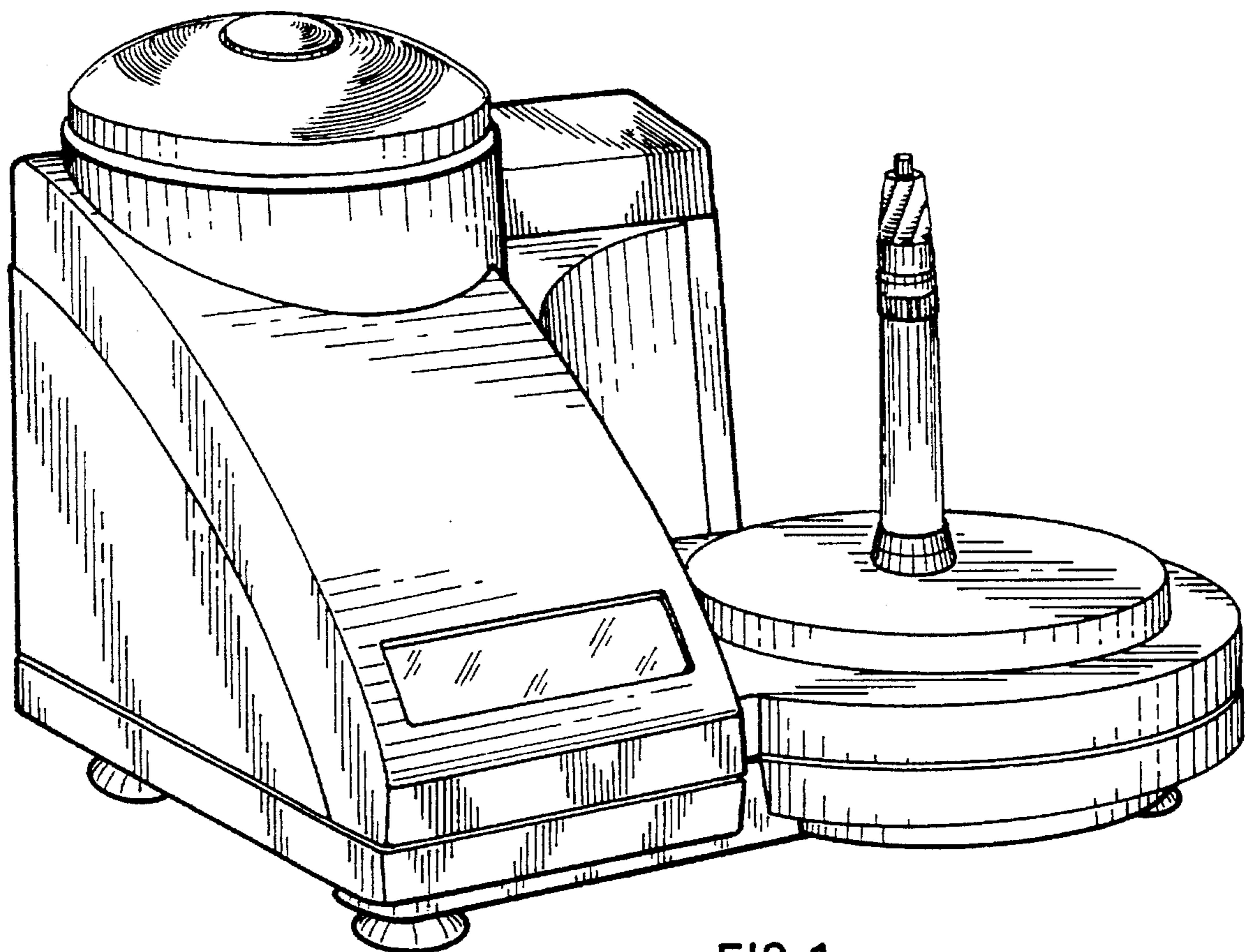


FIG. 1

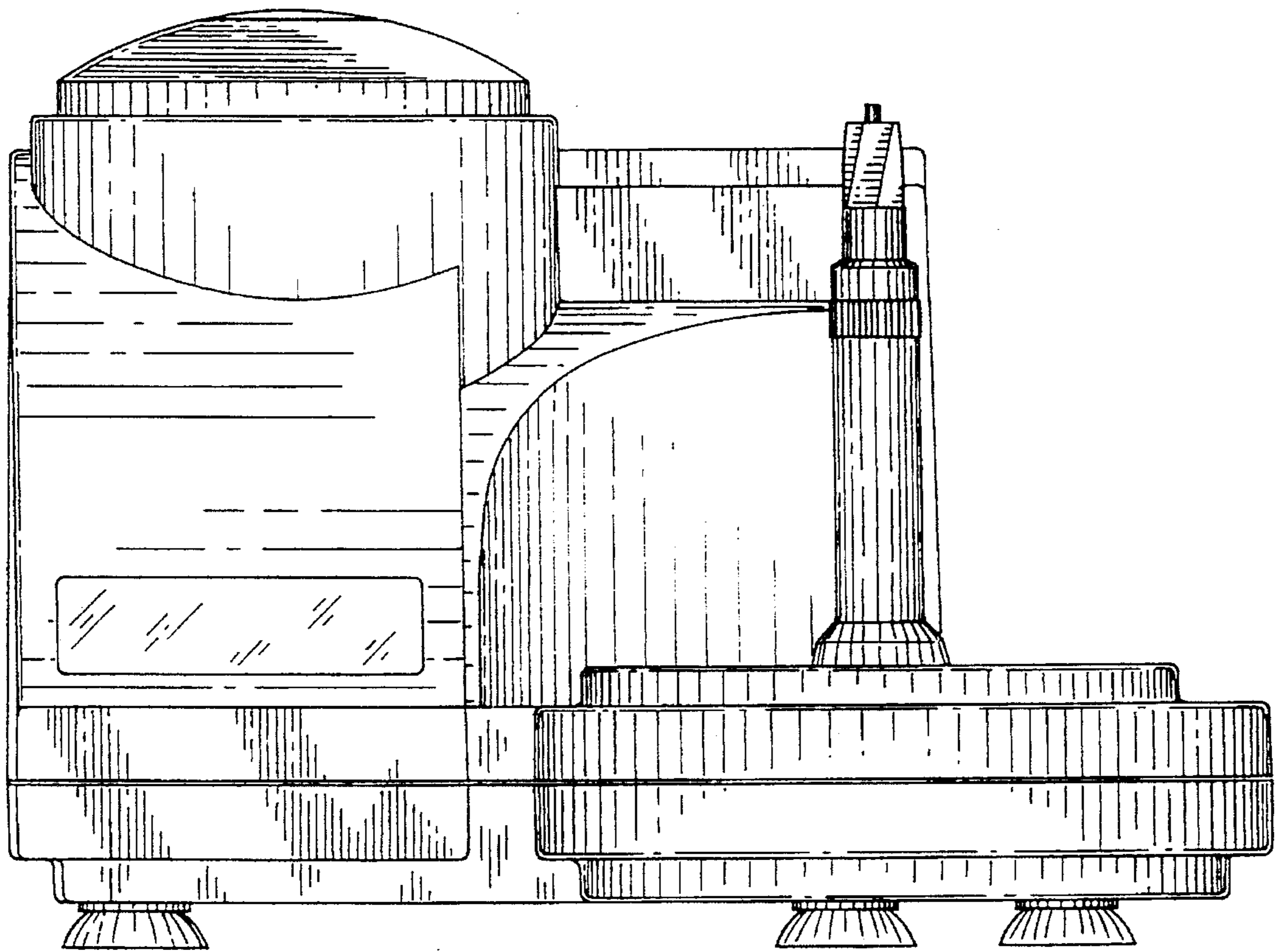


FIG. 2

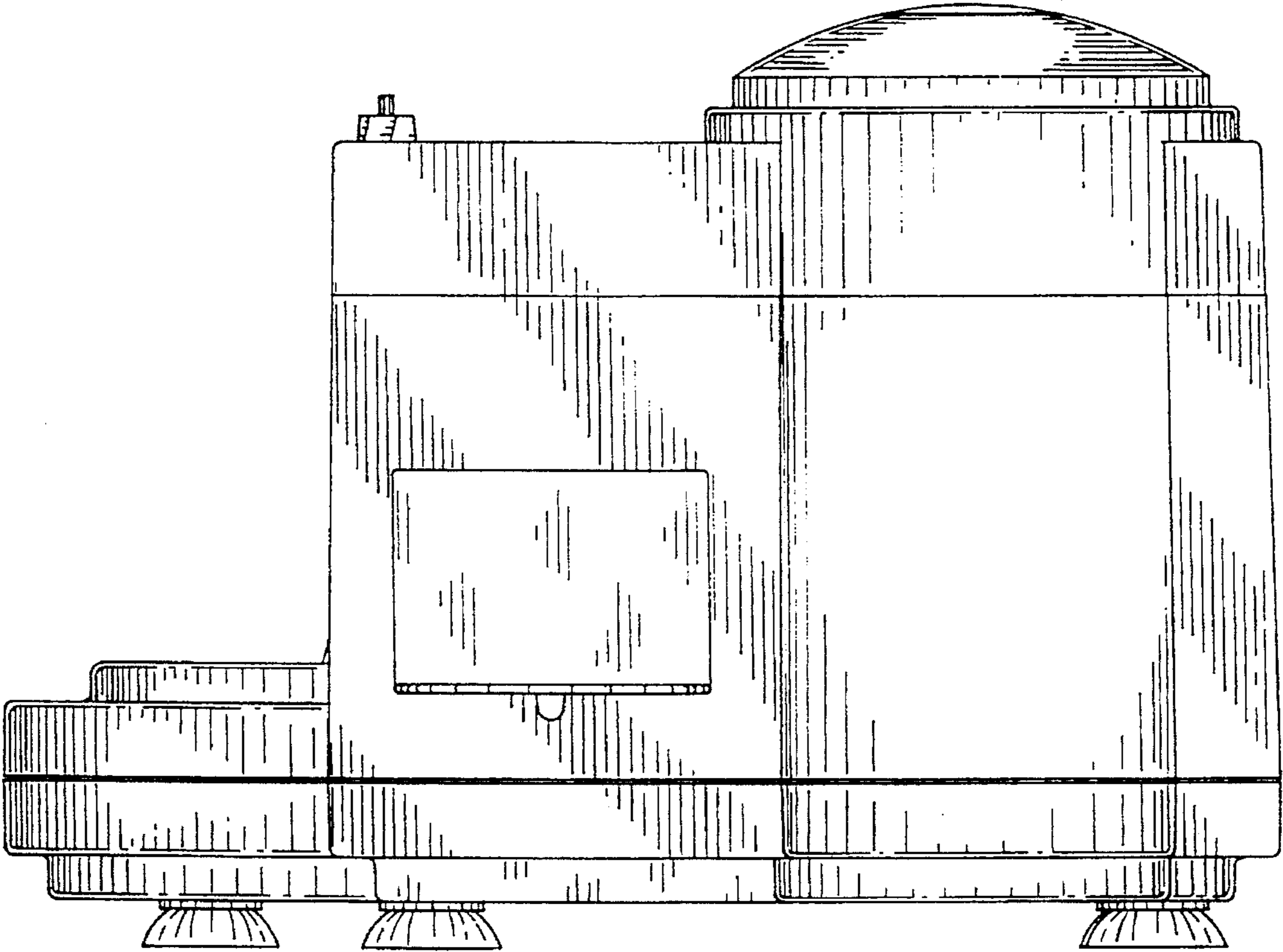


FIG. 3



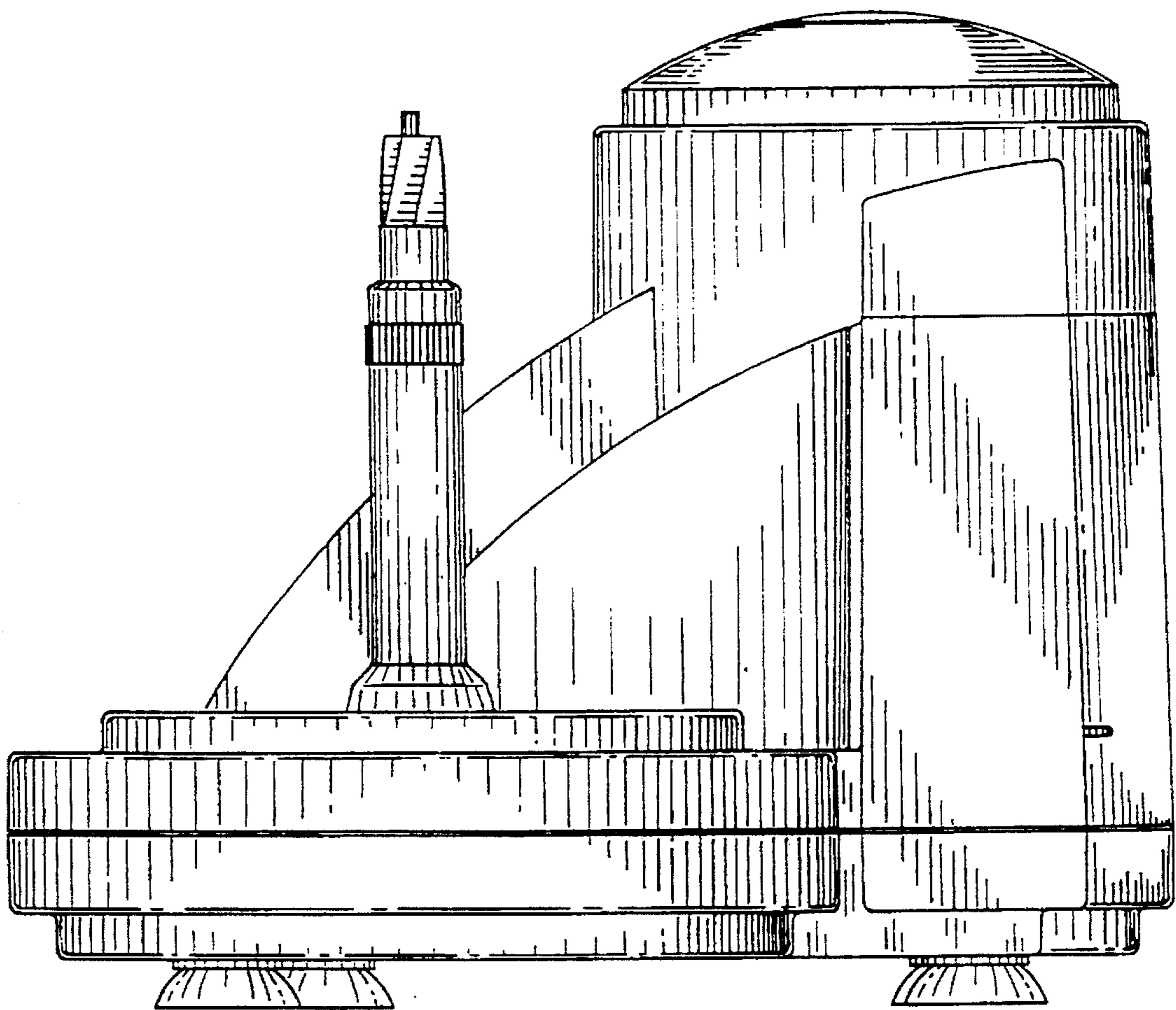


FIG. 4

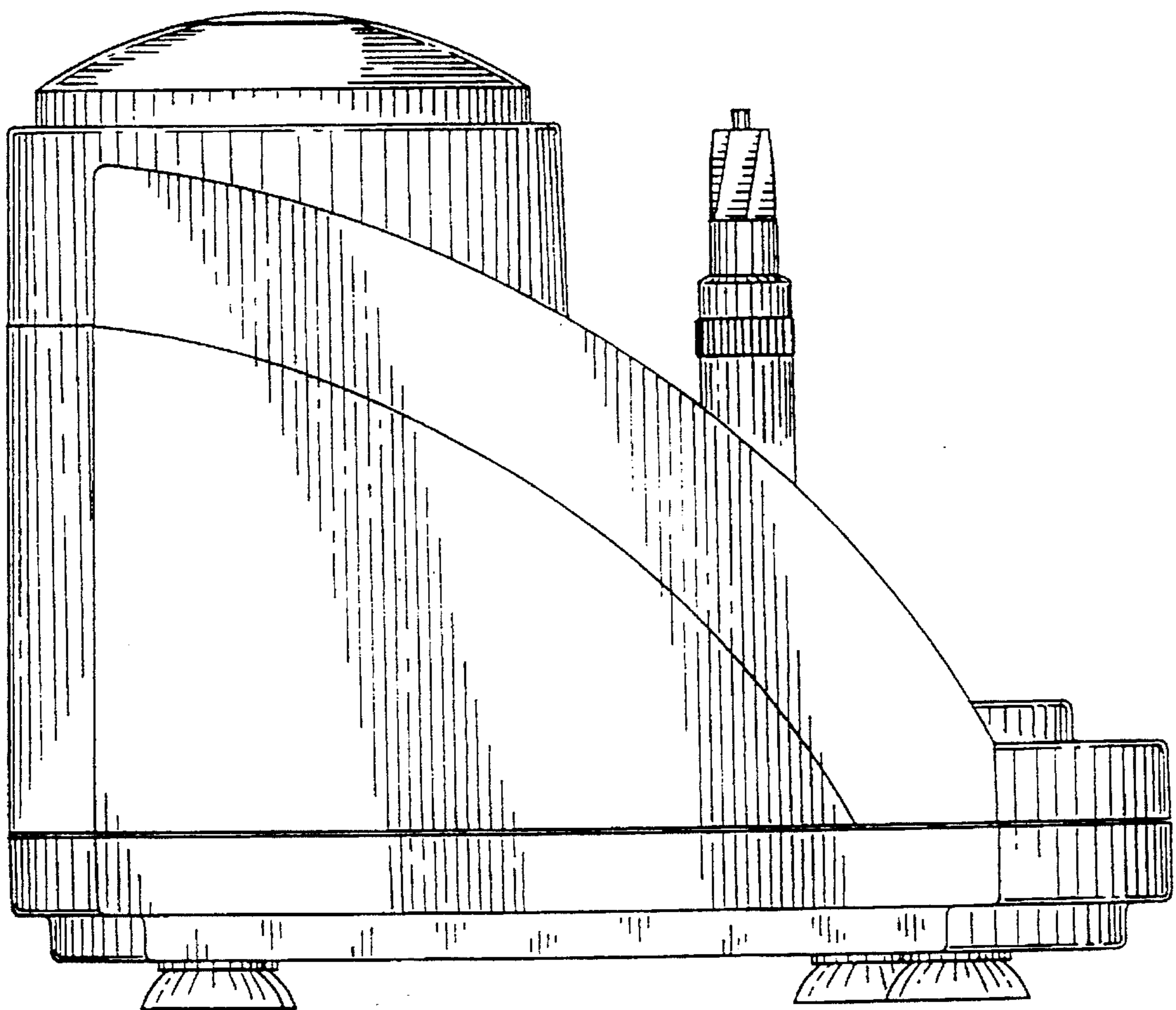


FIG. 5

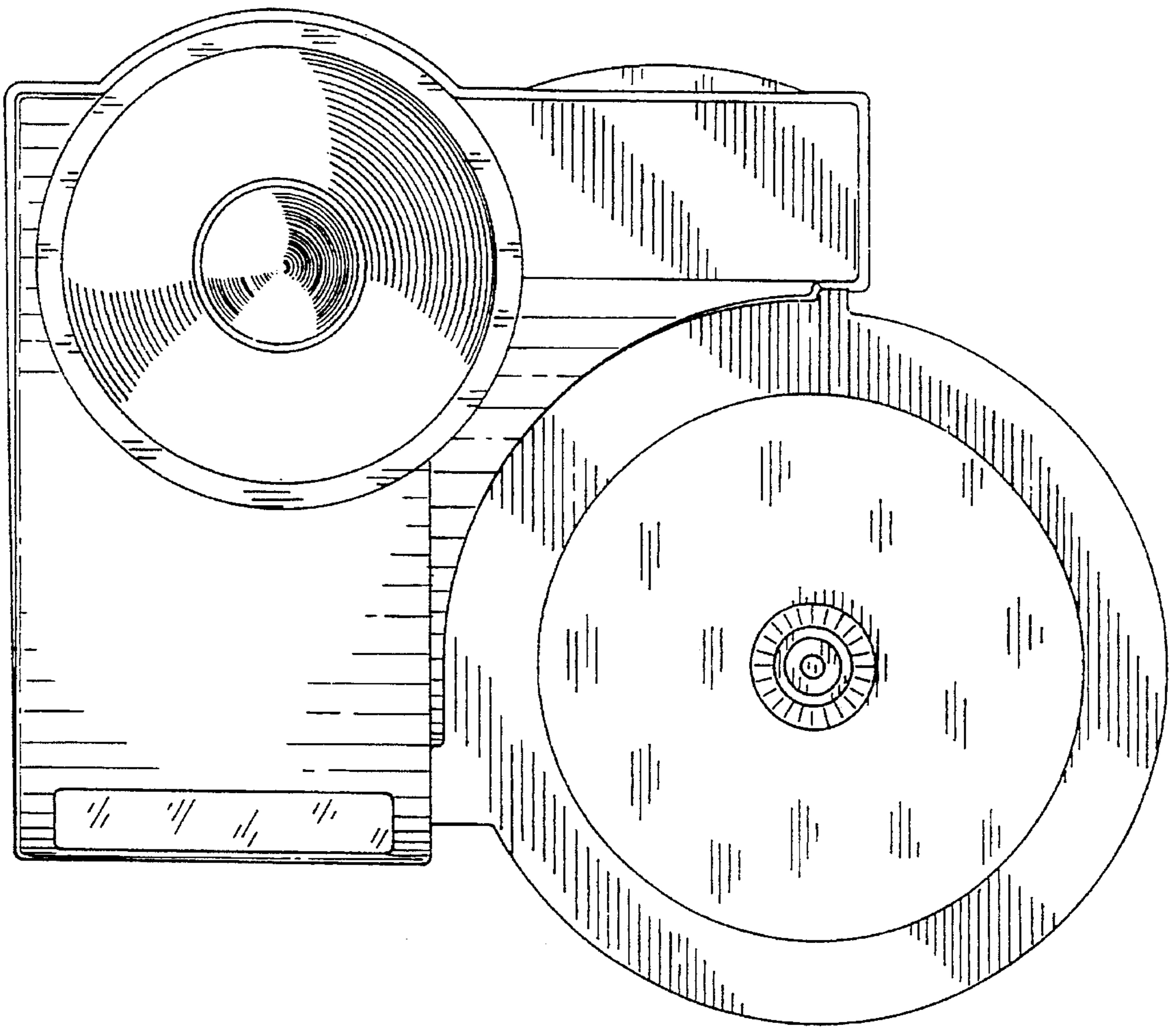


FIG. 6

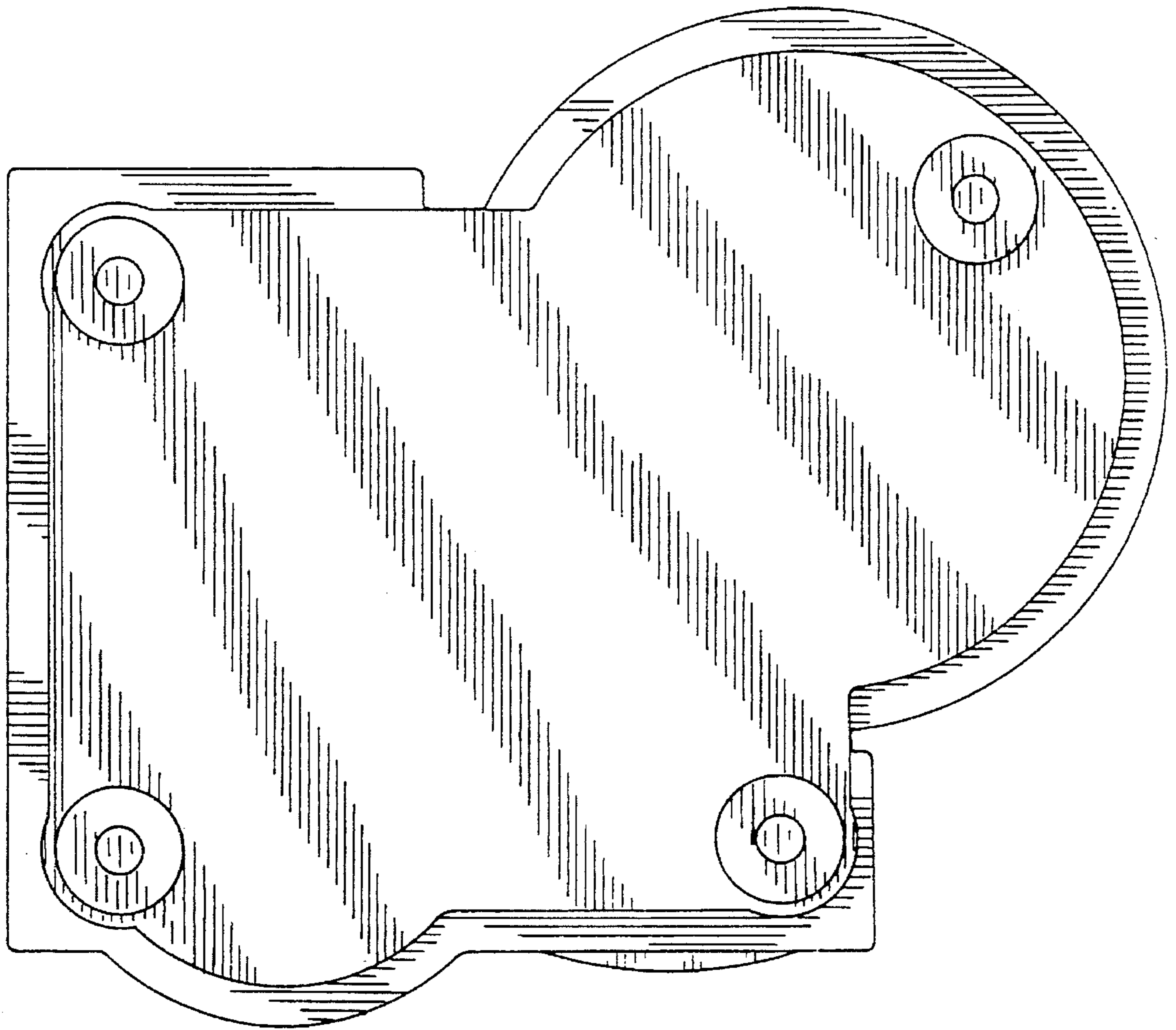


FIG. 7