



US00D374371S

United States Patent [19]

[11] Patent Number: **Des. 374,371**

Hall McDonald

[45] Date of Patent: ****Oct. 8, 1996**

[54] **HEAVY DUTY VERTICAL
SMOKER/COOKER**

4,957,039 8/1990 Reyes 126/25 R X
5,325,841 7/1994 Hooper 126/25 R

[75] Inventor: **Milly S. Hall McDonald**, Dallas, Tex.

OTHER PUBLICATIONS

[73] Assignee: **The Brinkmann Corporation**, Dallas, Tex.

The Brinkman Corporation 1994 Product Catalog, 142-5094-0, pp. 2-8; 10-12.
Williams Sonoma Catalog Apr. 1985 p. 3 at Lower left.
Hammacher Schlemmer Spring 1986 p. 11 at Middle Right.
Housewares Jan. 1979 vol. 176 p.93 Bottom Right.

[**] Term: **14 Years**

[21] Appl. No.: **32,204**

Primary Examiner—Louis S. Zarfes
Assistant Examiner—Frank Martinez
Attorney, Agent, or Firm—Pretty, Schroeder, Brueggemann & Clark

[22] Filed: **Dec. 14, 1994**

[52] U.S. Cl. **D7/332; 99/340**

[58] Field of Search D7/332, 373, 399,
D7/362, 337, 338; 126/25 R, 25 A, 9 A,
9 B, 9 R; 99/340, 385

[57] CLAIM

The ornamental design for a heavy duty vertical smoker/cooker, as shown and described.

[56] References Cited

DESCRIPTION

U.S. PATENT DOCUMENTS

D. 179,958	3/1957	Vincent	D7/332
D. 182,743	5/1958	Rodman	D7/334
D. 259,386	6/1981	Mulder	D7/334
D. 267,769	2/1983	Pope	D7/332
D. 329,960	10/1992	Reynolds	D7/334
3,049,071	8/1962	Diack	99/340
4,020,322	4/1977	Muse	99/448
4,094,295	6/1978	Boswell et al.	126/9 R X
4,300,444	11/1981	Muse	219/392
4,334,462	6/1982	Hefling	99/385
4,495,860	1/1985	Hitch et al.	99/340

FIG. 1 is a front elevational view of a heavy duty vertical smoker/cooker embodying my new design;
FIG. 2 is a right side elevational view thereof;
FIG. 3 is a rear elevational view thereof;
FIG. 4 is a left side elevational view thereof;
FIG. 5 is a top plan view thereof;
FIG. 6 is a bottom plan view thereof; and,
FIG. 7 is a front perspective view thereof with the smoker door open.

1 Claim, 4 Drawing Sheets

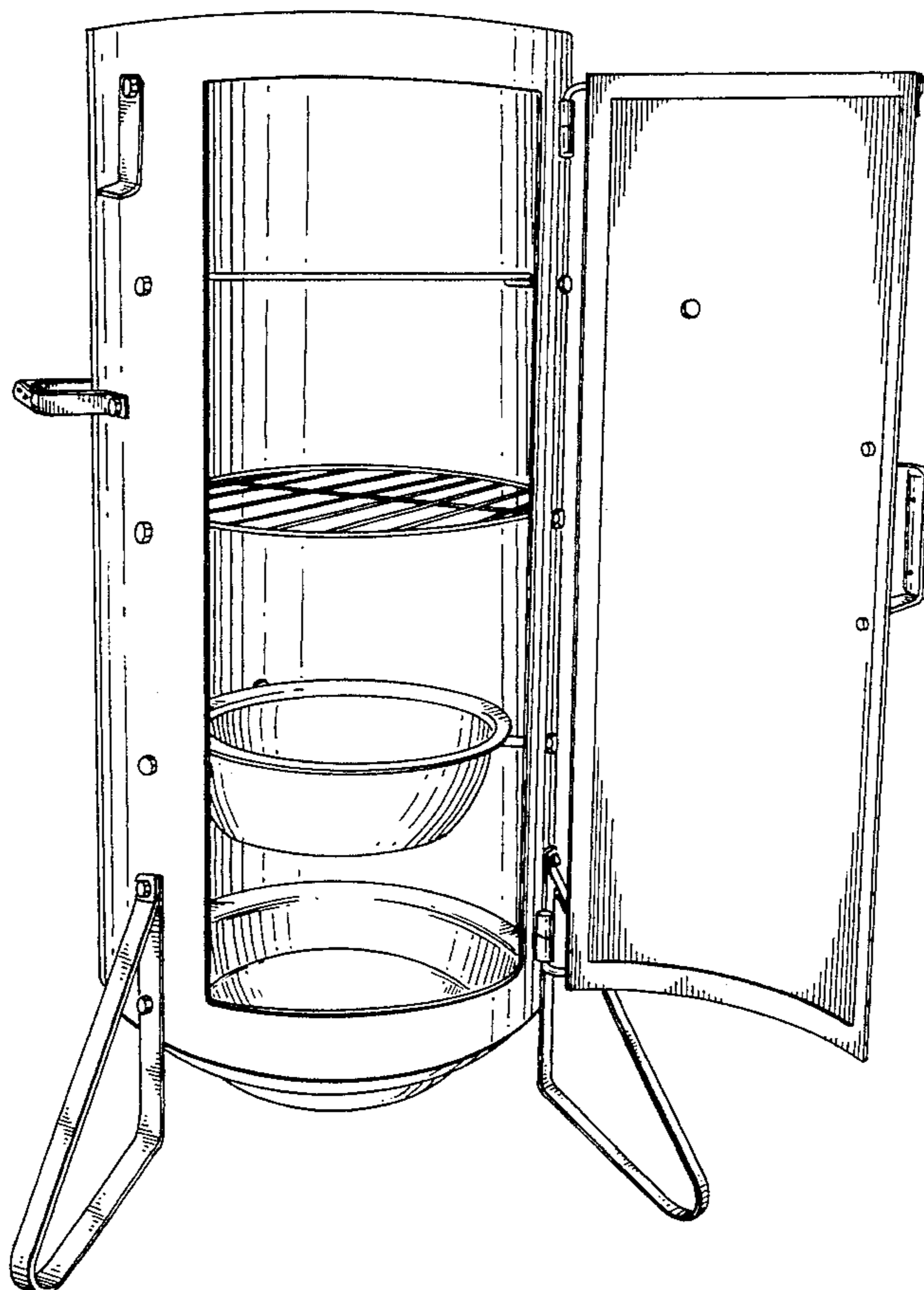


FIG. 2

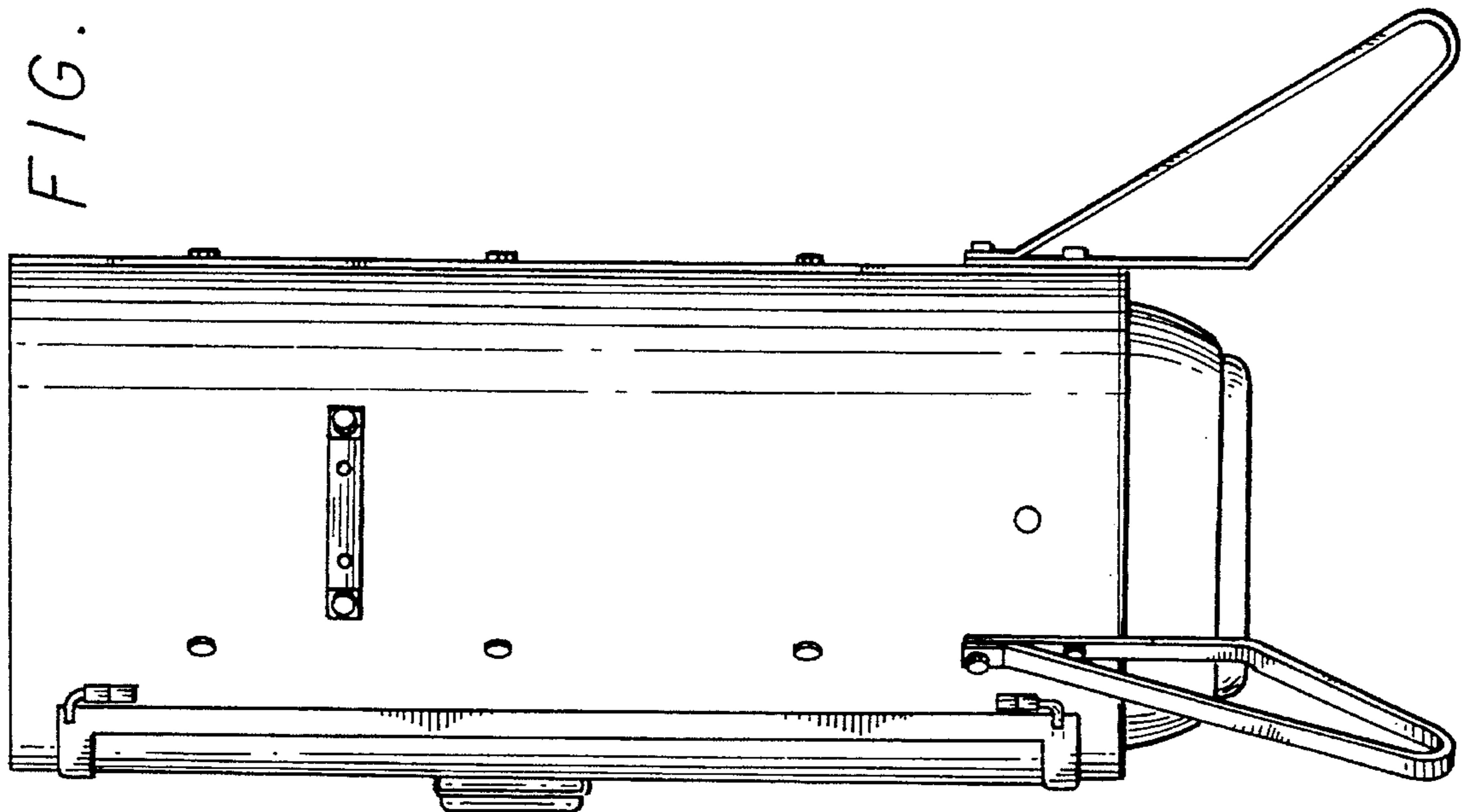
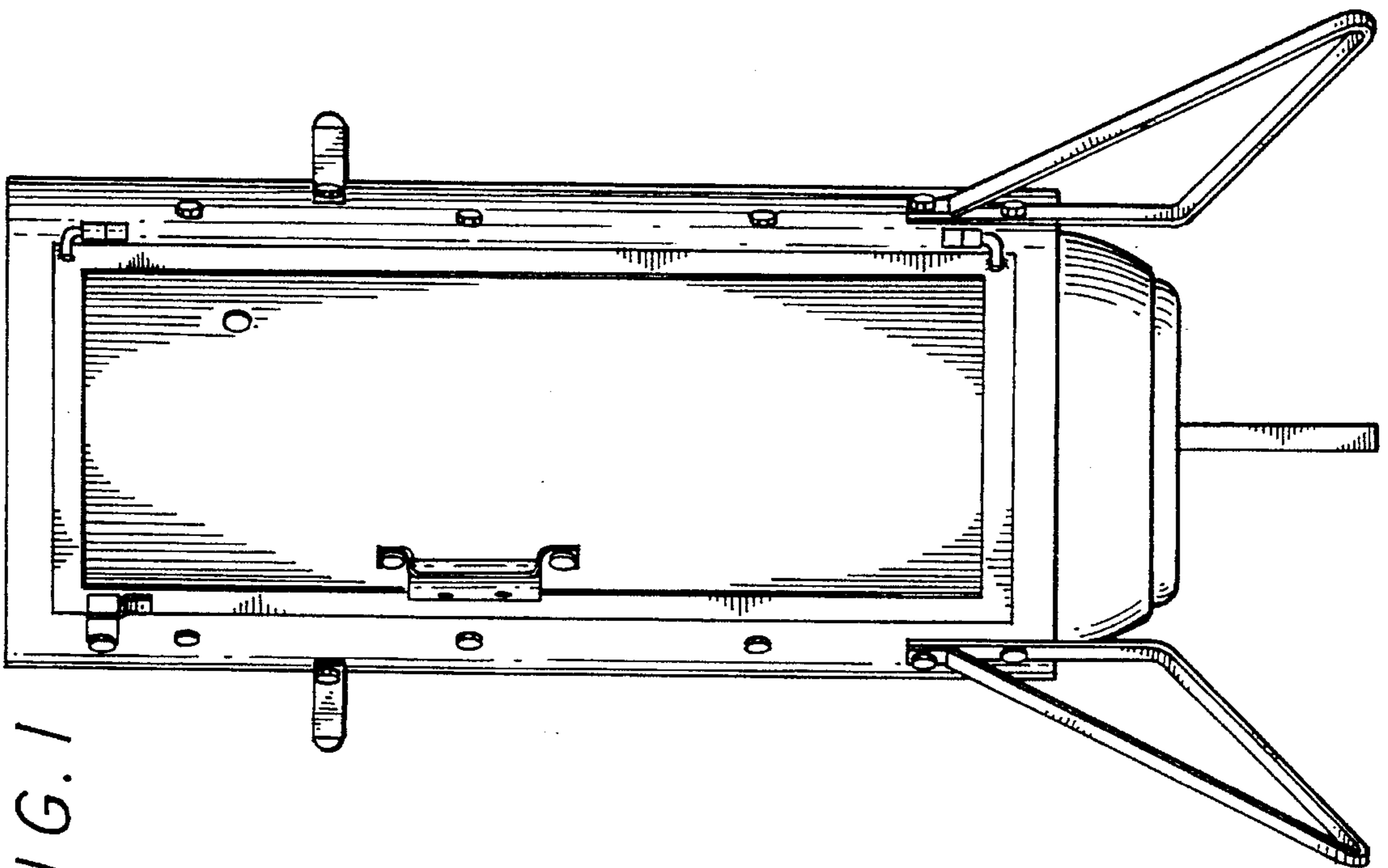


FIG. 1



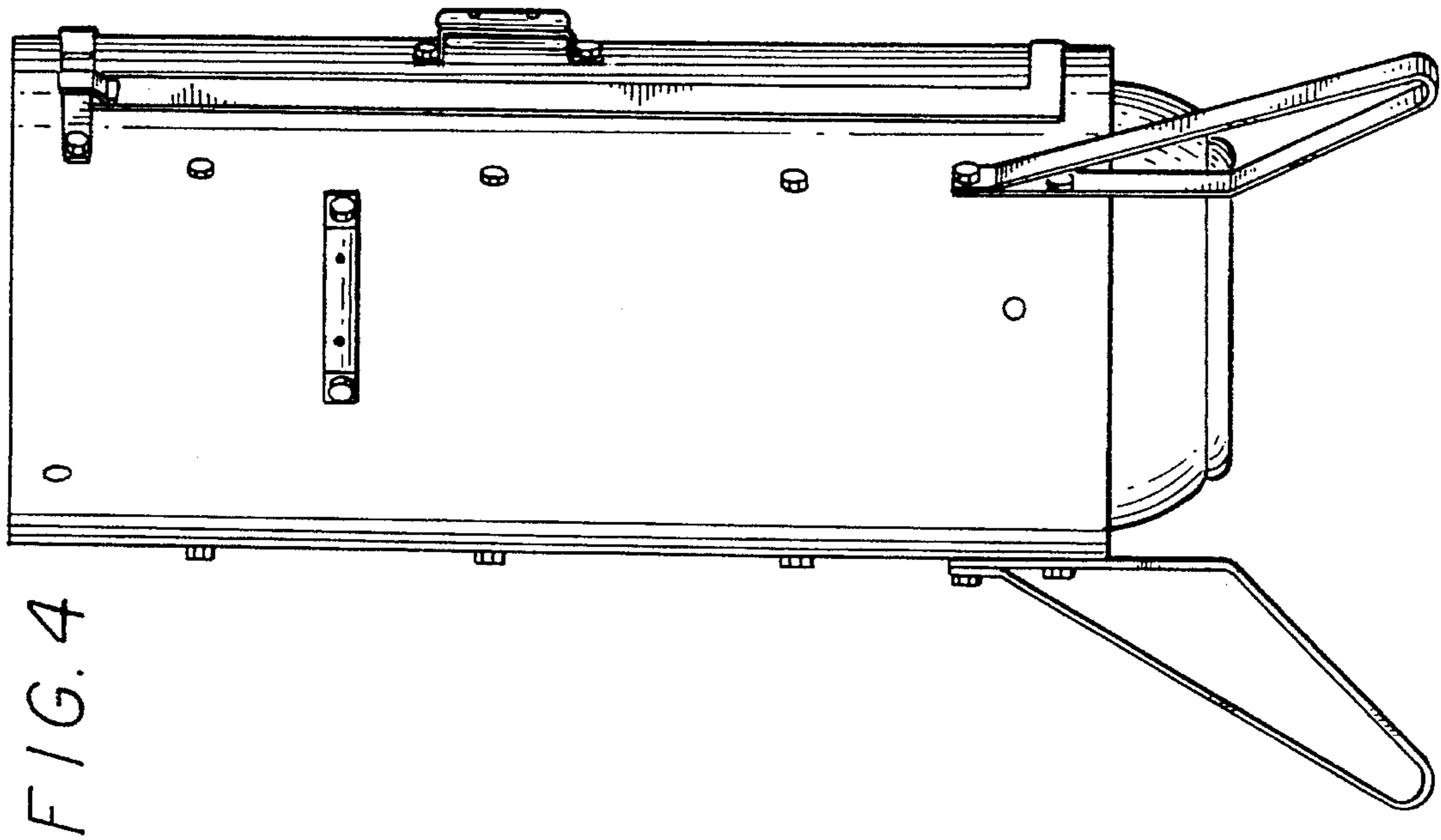


FIG. 4

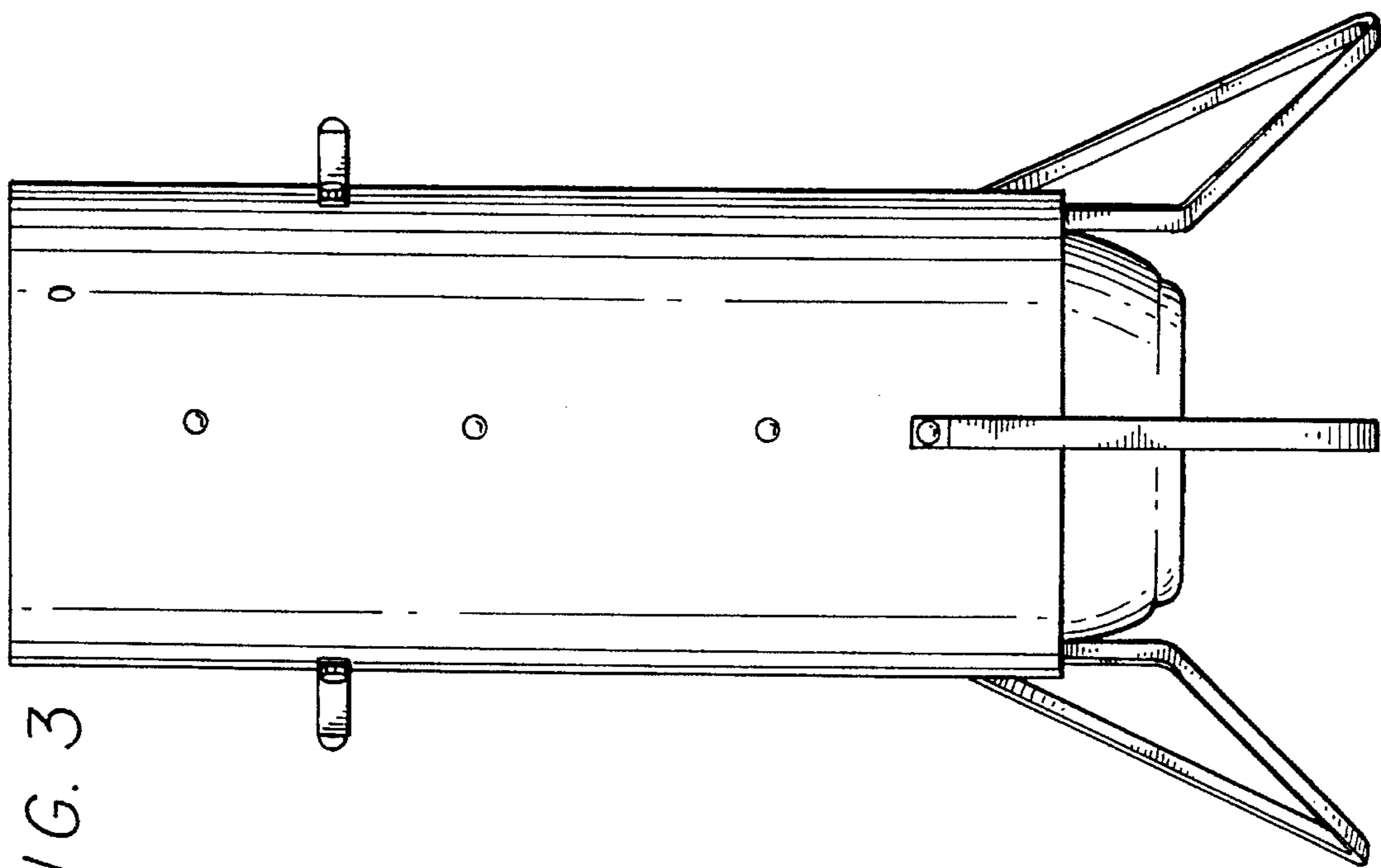


FIG. 3

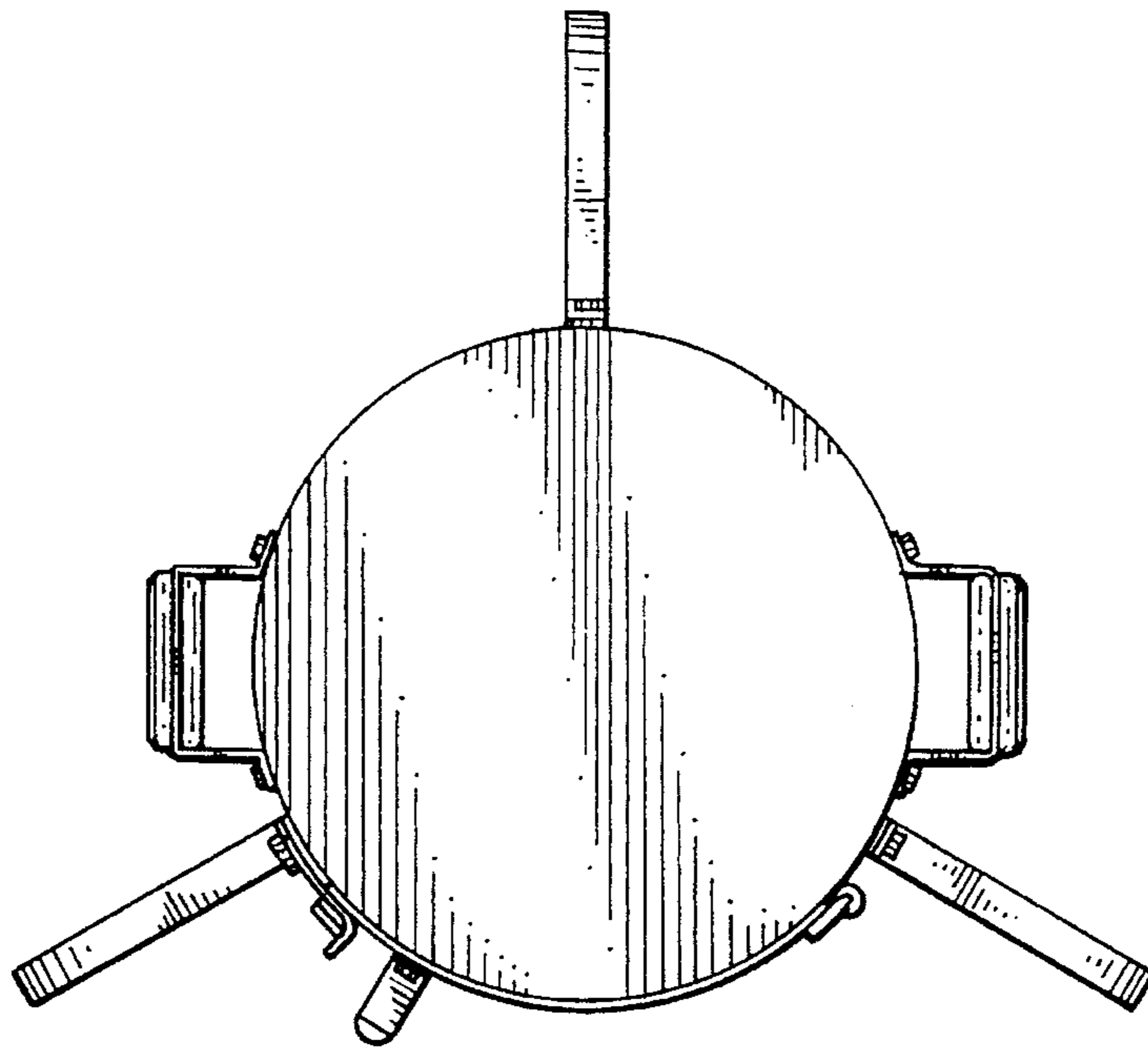


FIG. 5

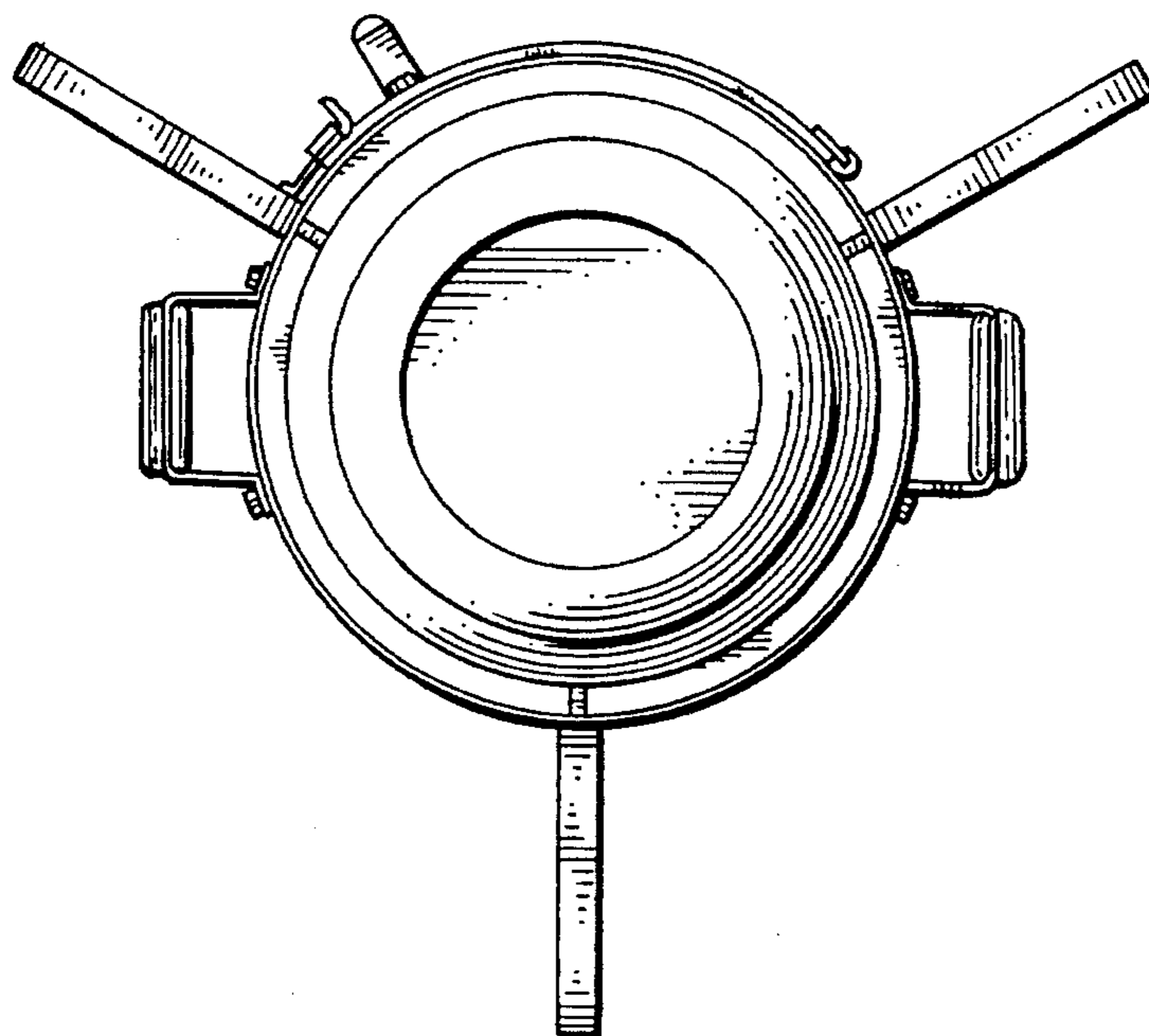


FIG. 6

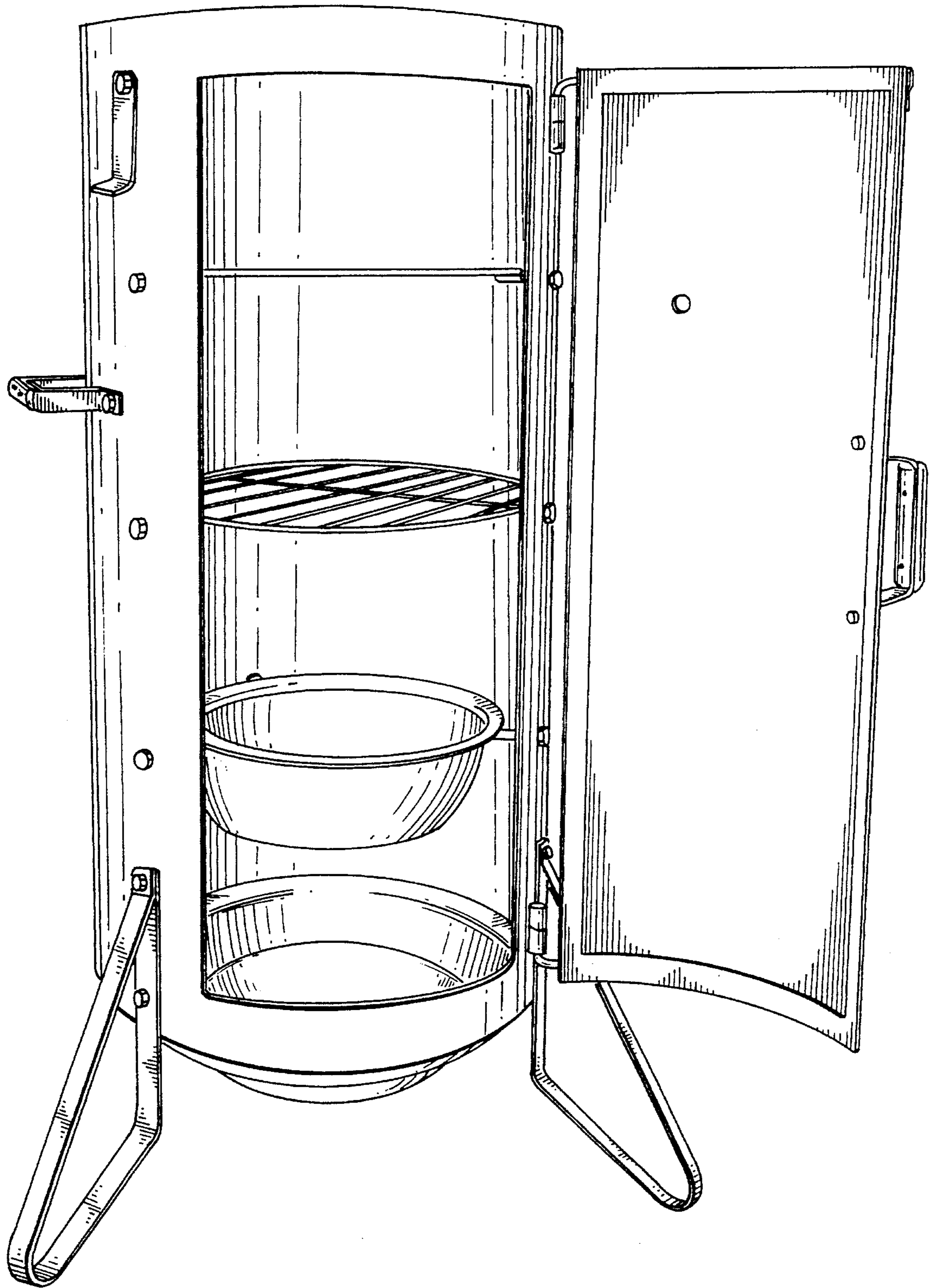


FIG. 7