



US00D374370S

United States Patent [19]

Barthelemy et al.

[11] Patent Number: **Des. 374,370**

[45] Date of Patent: ****Oct. 8, 1996**

[54] **TOASTER**

[75] Inventors: **Matt Barthelemy**, Burlingame; **Sonja Schiefer**, Palo Alto, both of Calif.

[73] Assignee: **Sunbeam Products, Inc.**, Fort Lauderdale, Fla.

[**] Term: **14 Years**

[21] Appl. No.: **42,442**

[22] Filed: **Aug. 10, 1995**

[52] U.S. Cl. **D7/330**

[58] Field of Search D7/323, 328-330, D7/390; 99/327, 341, 372, 385, 389, 391, 392

[56] **References Cited**

U.S. PATENT DOCUMENTS

| | | | | |
|------------|--------|-----------|-------|----------|
| D. 99,287 | 4/1936 | Knapp | | D7/328 |
| D. 296,290 | 6/1988 | Yamanaka | | D7/330 |
| D. 310,004 | 8/1990 | Storsberg | | D7/330 X |
| D. 338,131 | 8/1993 | Stützer | | D7/328 X |

| | | | | |
|-----------|--------|-------------|-------|----------|
| 1,656,848 | 1/1928 | Wyatt | | D7/328 X |
| 1,762,176 | 6/1930 | Kuhn et al. | | 99/391 |
| 4,345,513 | 8/1982 | Holt | | D7/330 X |

Primary Examiner—Nelson C. Holtje
Assistant Examiner—Caron D. Veynar
Attorney, Agent, or Firm—Michael J. Kline

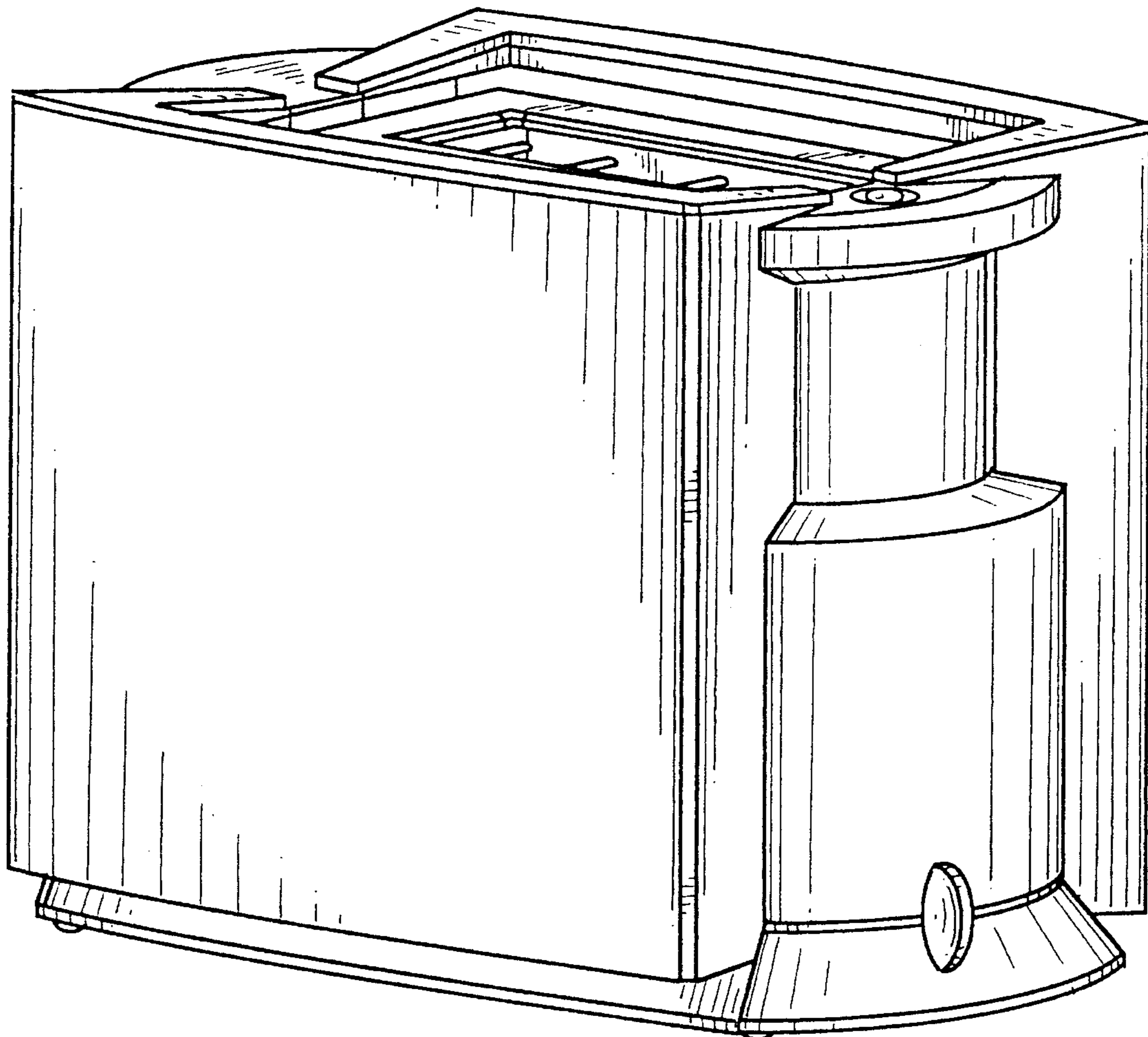
[57] **CLAIM**

The ornamental design for a toaster, as shown and described.

DESCRIPTION

FIG. 1 is a isometric view of a toaster of the present invention;
FIG. 2 is a front elevational view of the toaster of FIG. 1;
FIG. 3 is a rear elevational view of the toaster of FIG. 1;
FIG. 4 is a right side elevational view of the toaster of FIG. 1;
FIG. 5 is a left side elevational view of the toaster of FIG. 1;
FIG. 6 is a top plan view of the toaster of FIG. 1; and,
FIG. 7 is a bottom plan view of the toaster of FIG. 1.

1 Claim, 6 Drawing Sheets



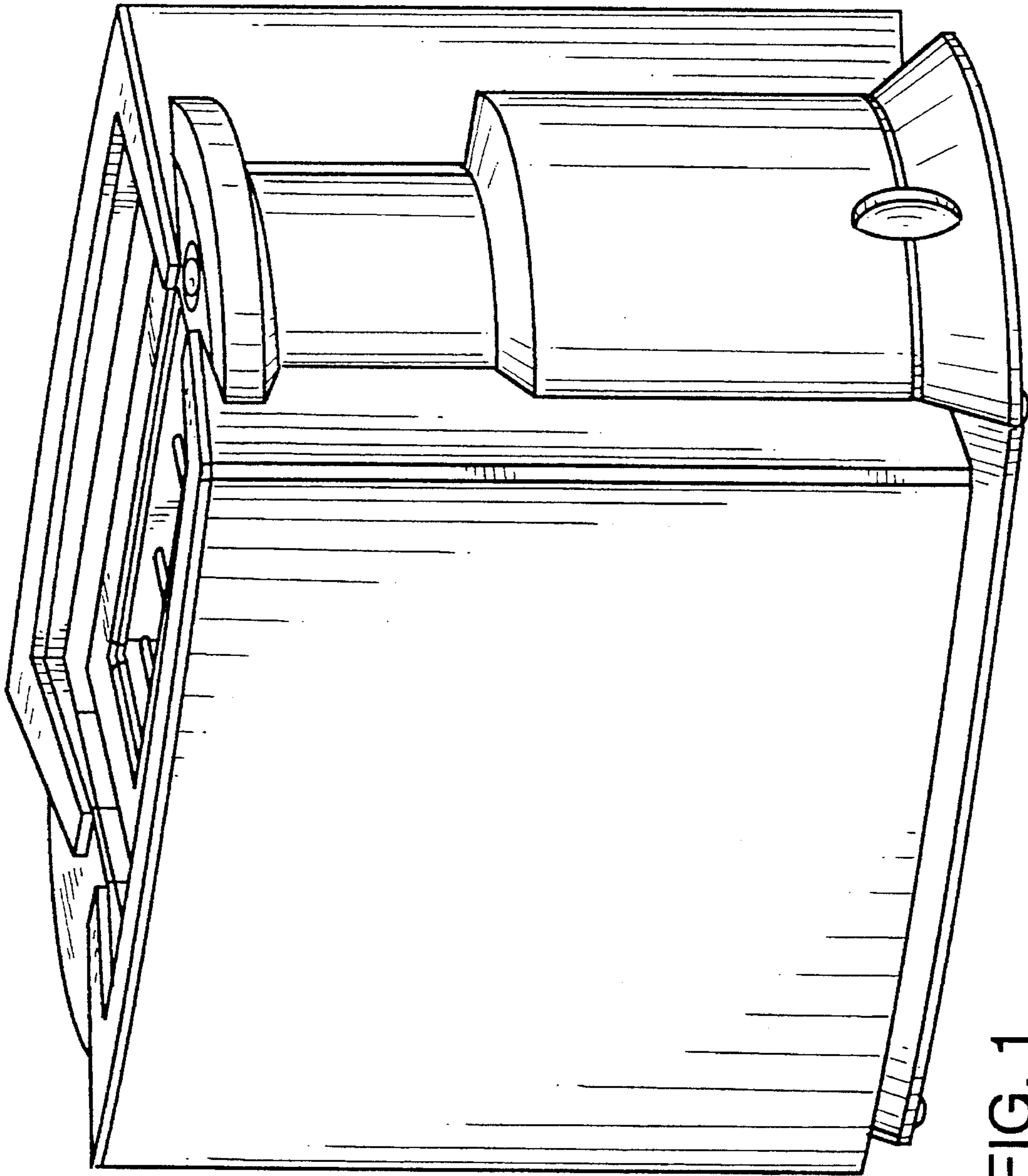


FIG. 1

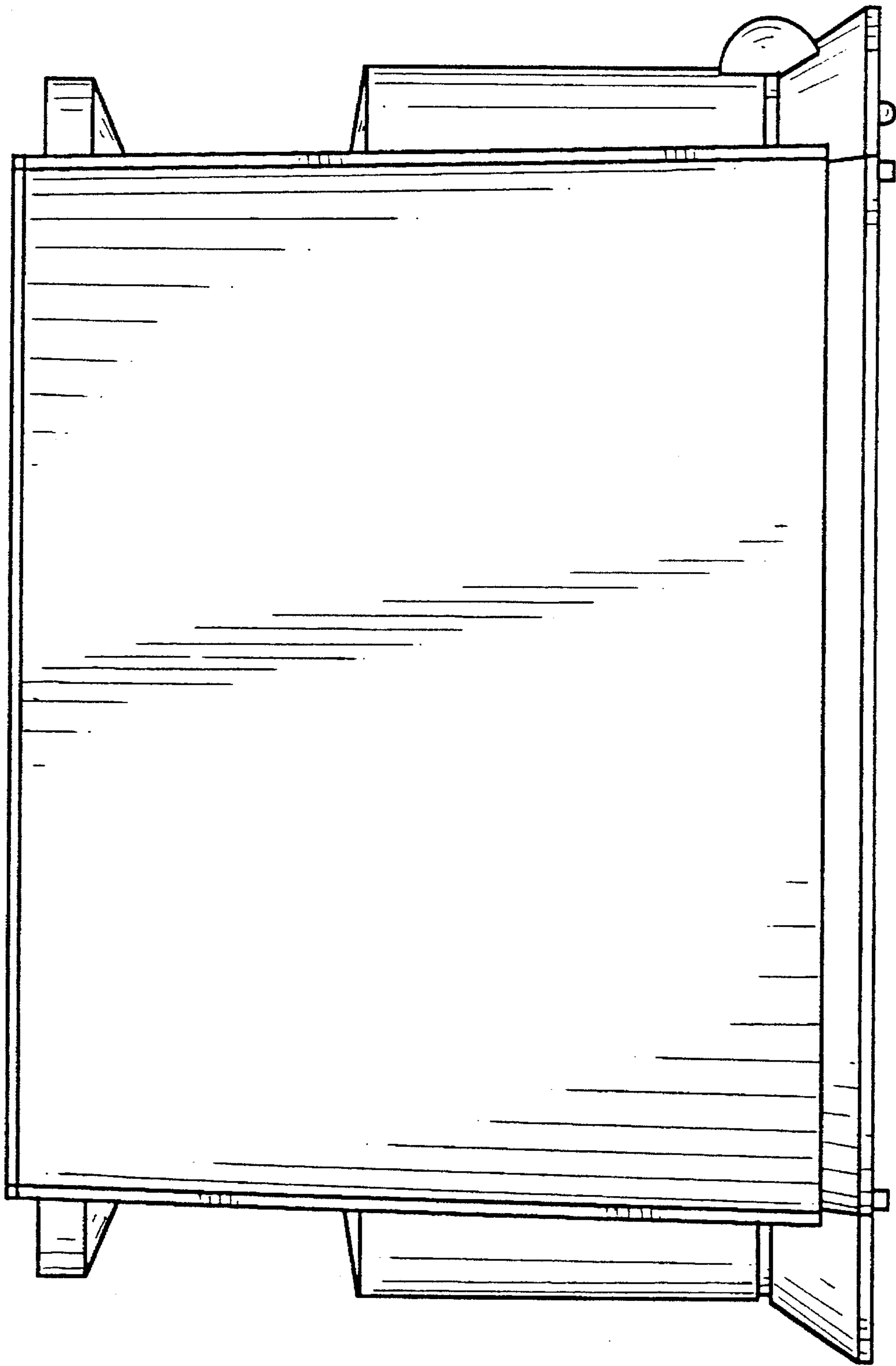


FIG. 2

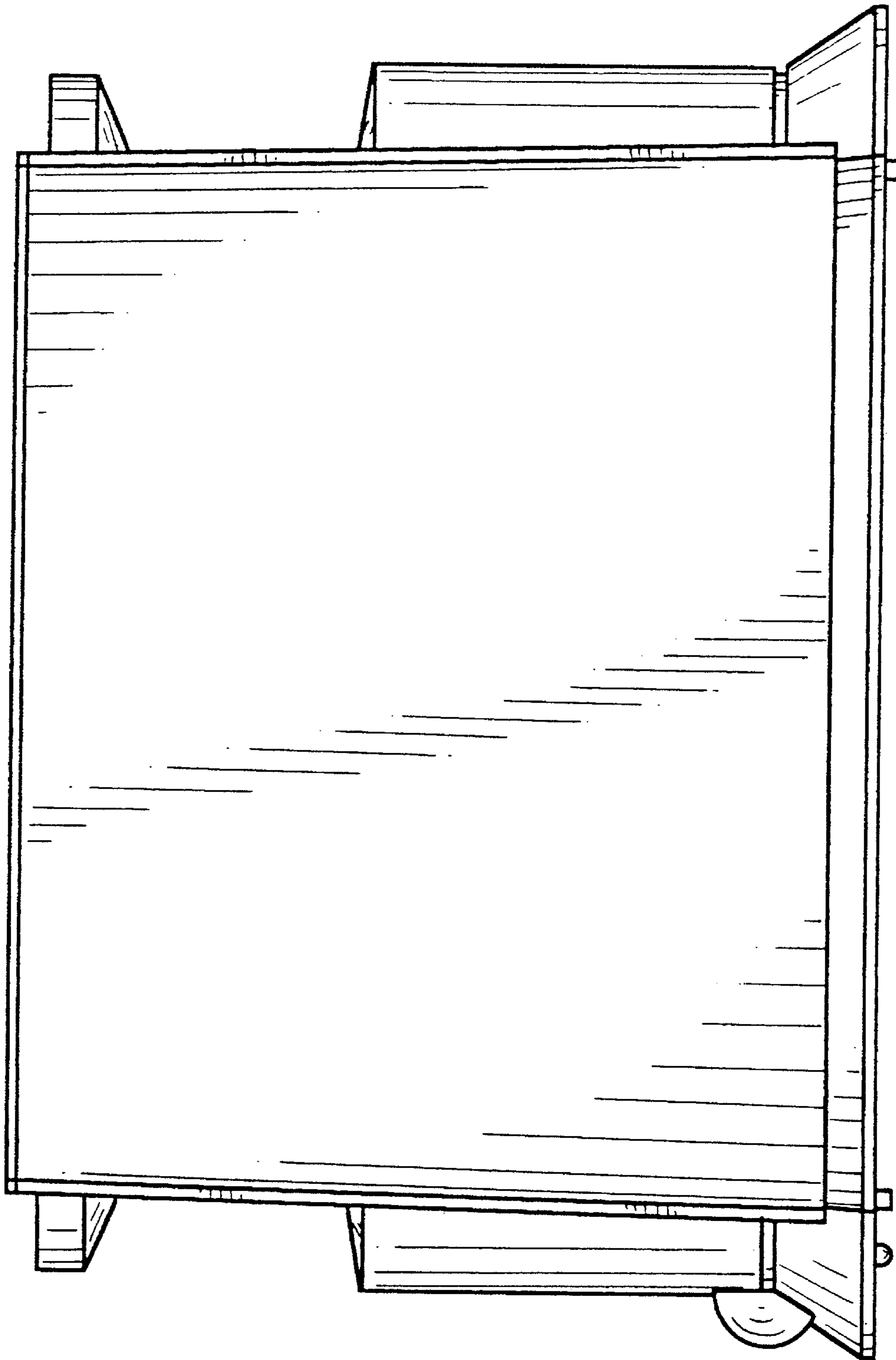


FIG. 3

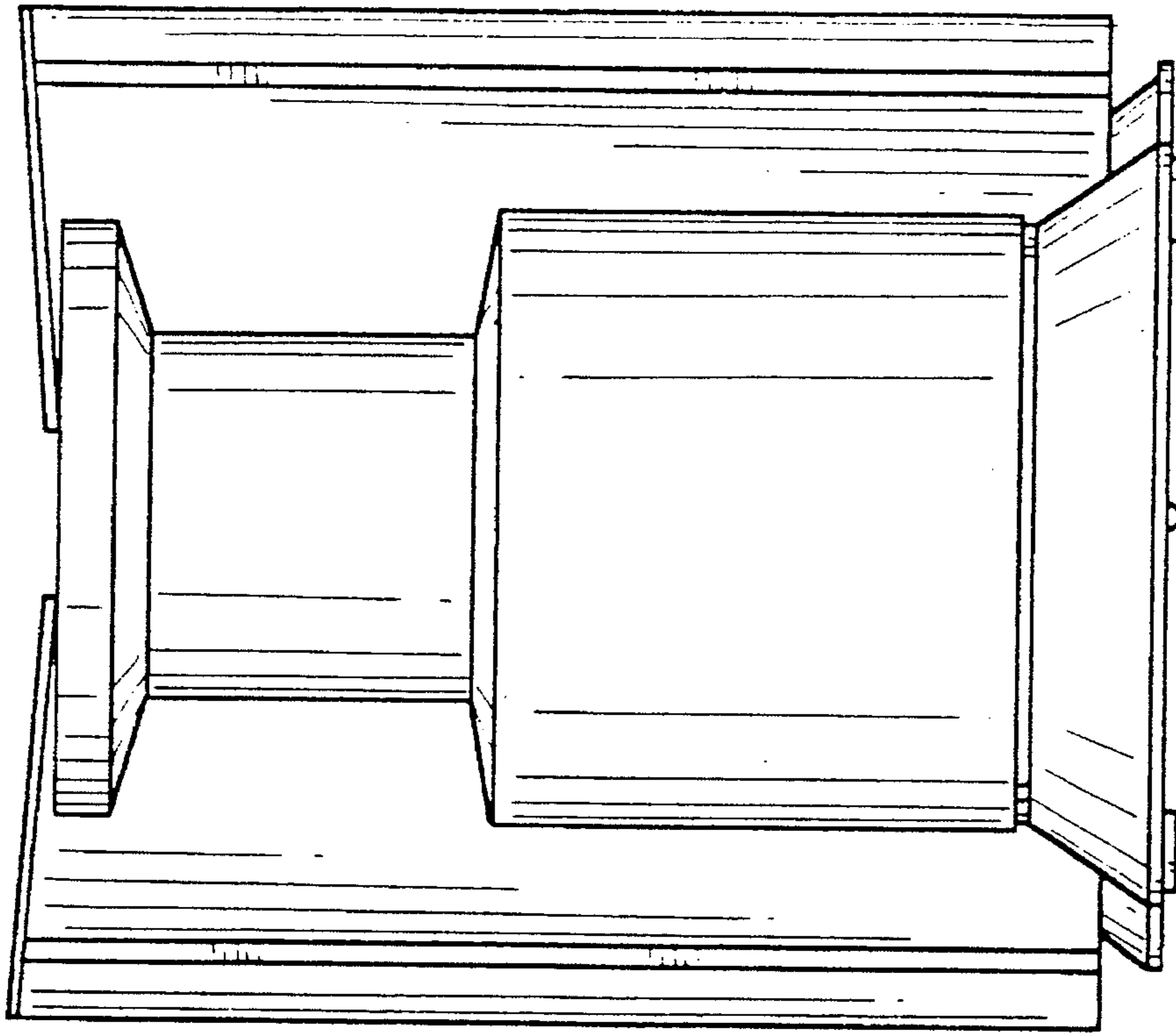


FIG. 5

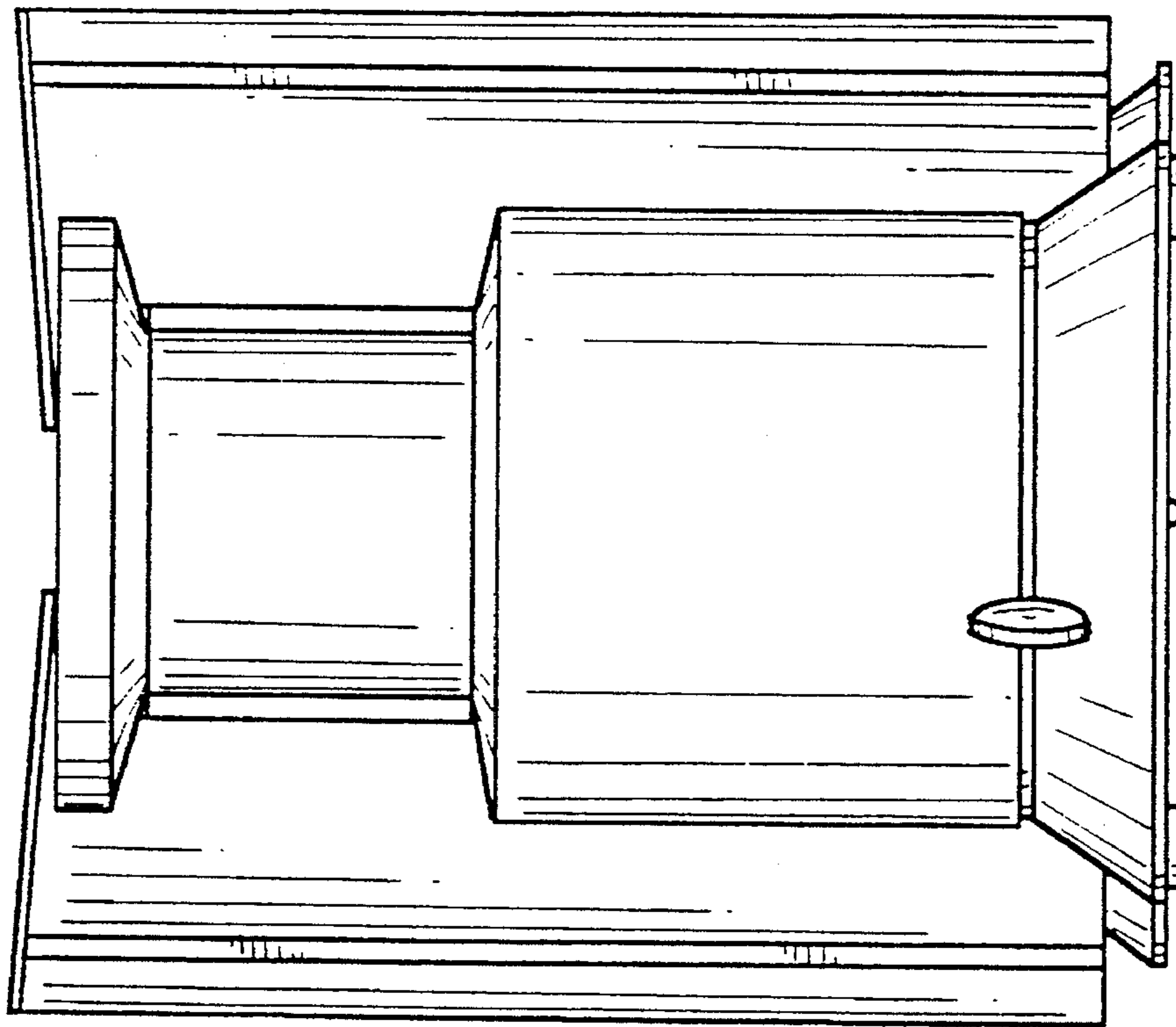


FIG. 4

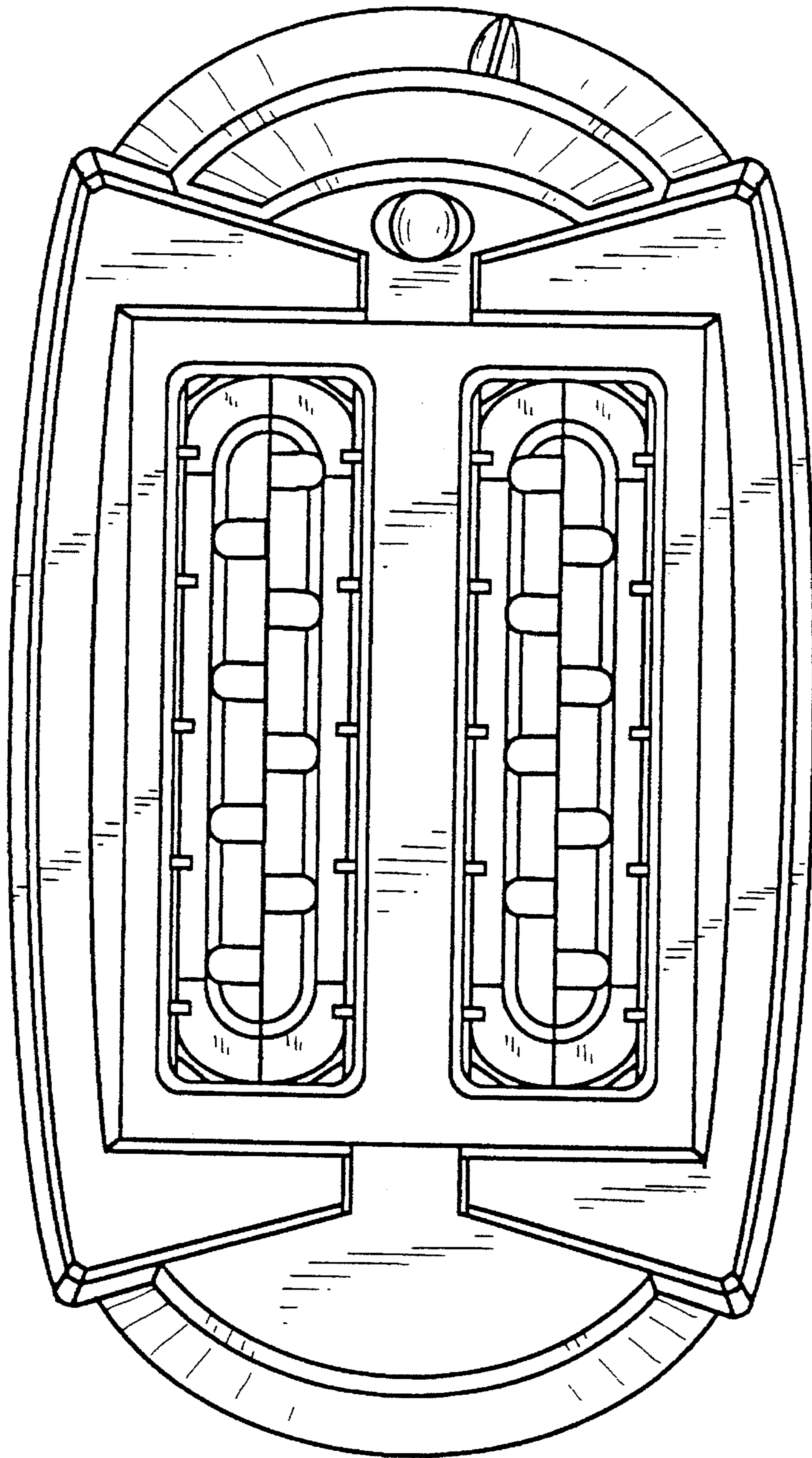


FIG. 6

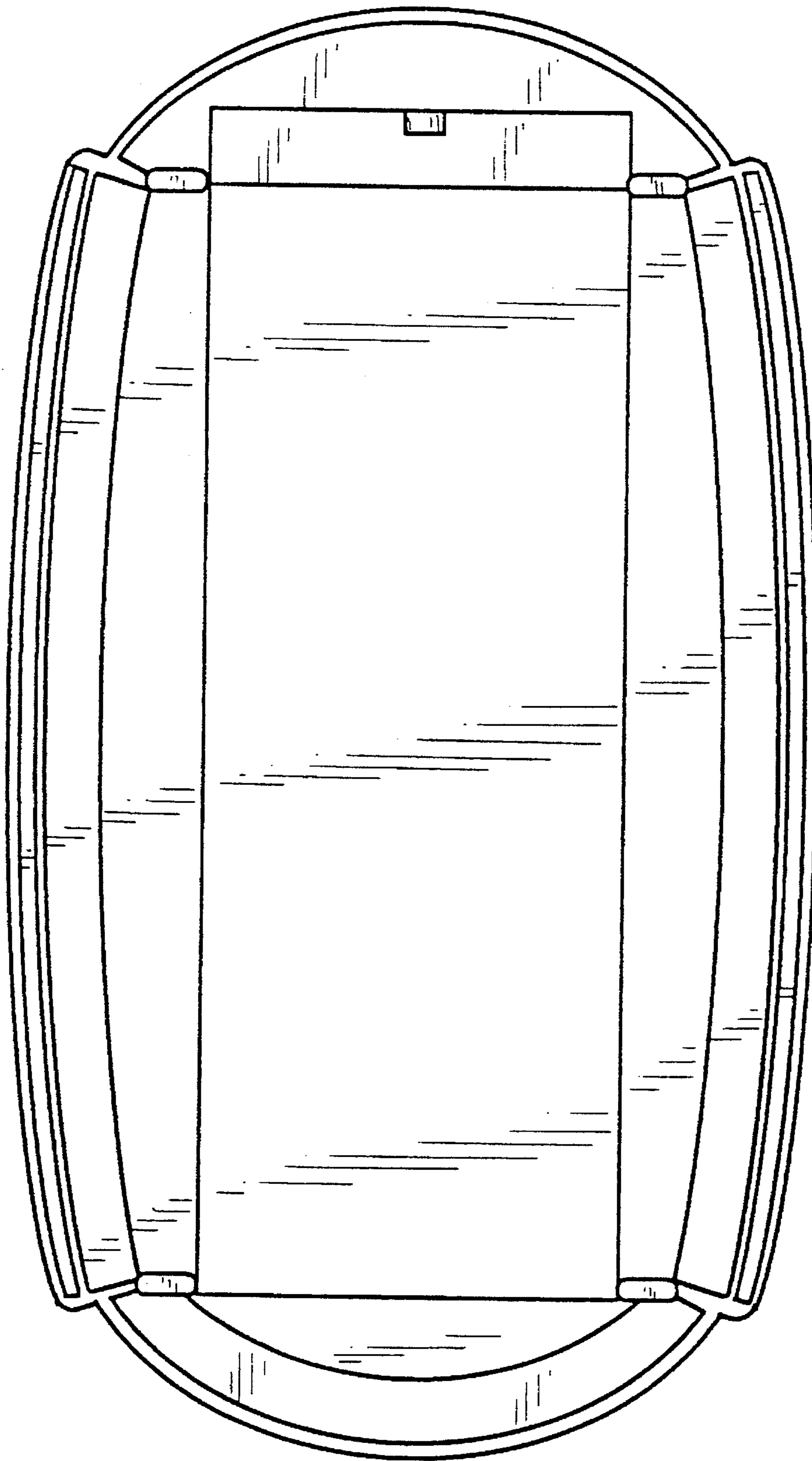


FIG. 7