



US00D374366S

United States Patent [19]

Eldon, III et al.

[11] Patent Number: **Des. 374,366**

[45] Date of Patent: ****Oct. 8, 1996**

[54] **EYEGLOSS DISPLAY FIXTURE**

[75] Inventors: **James B. Eldon, III**, Barto; **Richard J. Winig**, Bluebell; **Alan M. Winig**, Lafayette Hill, all of Pa.

[73] Assignee: **Eye Designs, Inc.**, Norristown, Pa.

[**] Term: **14 Years**

[21] Appl. No.: **28,327**

[22] Filed: **Sep. 12, 1994**

[52] U.S. Cl. **D6/567**

[58] Field of Search D6/512, 553, 567, D6/569-574; 211/13, 70.6, 86-90, 126, 134; 248/902; 206/5

[56] **References Cited**

U.S. PATENT DOCUMENTS

D. 328,826	8/1992	Berger	D6/567
1,421,196	6/1922	Fennimore .	
3,229,944	3/1964	Everburg	248/223
3,924,750	12/1975	Dunchock	211/13
4,204,602	5/1980	Dunchock	211/13
5,018,253	5/1991	Oppenheimer	24/458
5,025,931	6/1991	Berger	211/13
5,056,668	10/1991	Berger	211/13
5,069,416	12/1991	Ennis	248/902
5,085,388	2/1992	Creutz	248/288.5
5,144,345	9/1992	Nyman	351/41
5,176,262	1/1993	Zouéki	211/13
5,255,796	10/1993	Josephson	211/13

OTHER PUBLICATIONS

Fashion Optical Displays, "Fashion" Catalogue, pp. 152-154 (Pub'd Prior to Filing Date).

Ennco Display System, "Ennco" Catalogue, pp. 1-6 (Pub'd Prior to Filing Date).

Ennco Display System, "Ennco Display Systems" Pricing Catalogue, pp. 1-12 (Pub'd Prior to Filing Date).

Ennco Display Systems, "The Shifter" Brochure (Pub'd Prior to Filing Date).

Dispensing Equipment vol. XX, No. 21, Frames Data, Irvine, CA. 1992-1993 pp. 25-46.

The Versa-Clip By Eye Designs, 1989.

Primary Examiner—Brian N. Vinson

Attorney, Agent, or Firm—Eckert Seamans Cherin & Mellott

[57] **CLAIM**

The ornamental design for an eyeglass display fixture, as shown and described.

DESCRIPTION

FIG. 1 is a top, front and left side perspective view of the first embodiment of an eyeglass display fixture showing our new design, the broken line disclosure of an additional fixture, eyeglasses, and partial display panel being for illustrative purposes only and forming no part of the claimed design;

FIG. 2 is an enlarged front elevational view thereof;

FIG. 3 is an enlarged top plan view thereof;

FIG. 4 is an enlarged right side elevational view thereof;

FIG. 5 is an enlarged left side elevational view thereof;

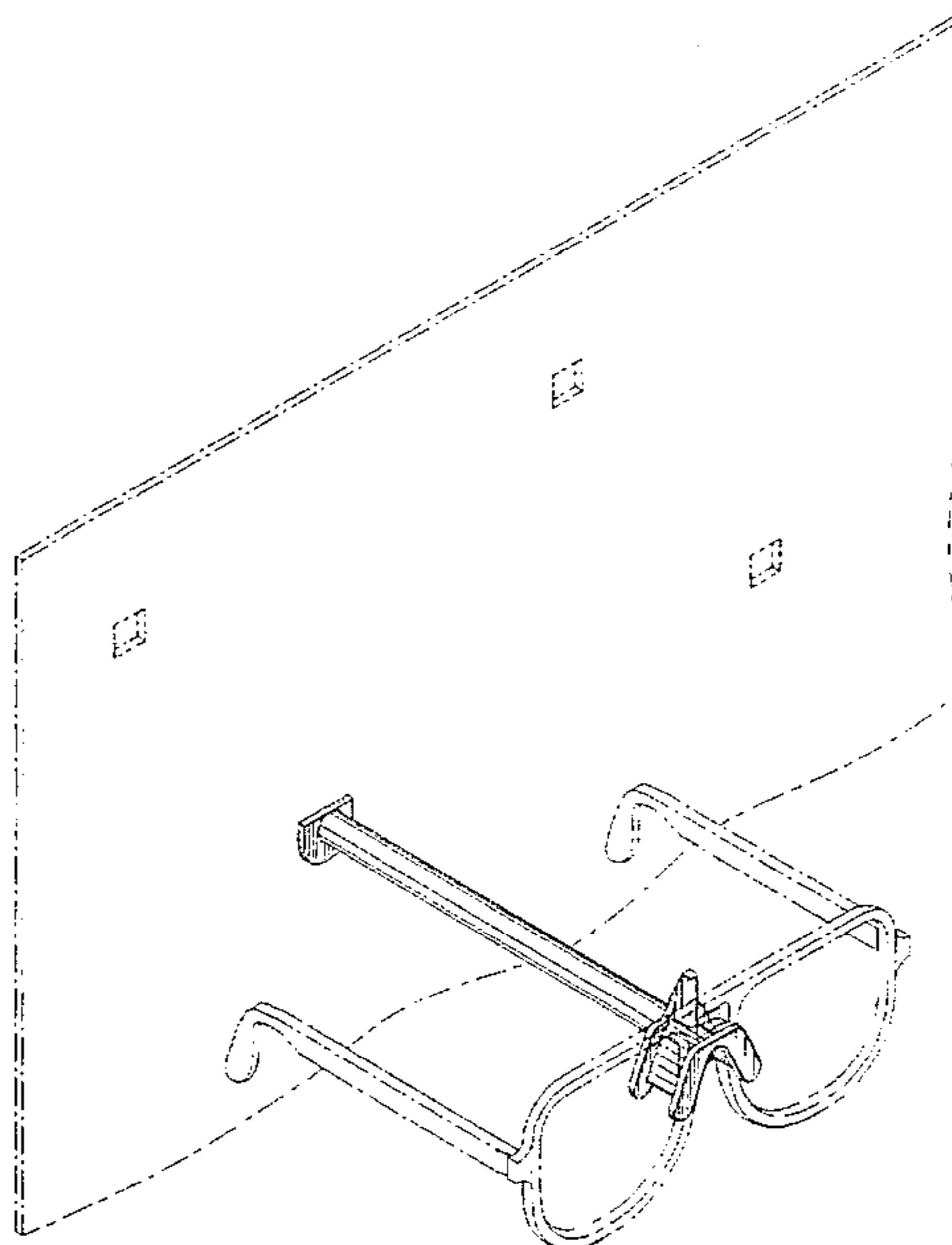
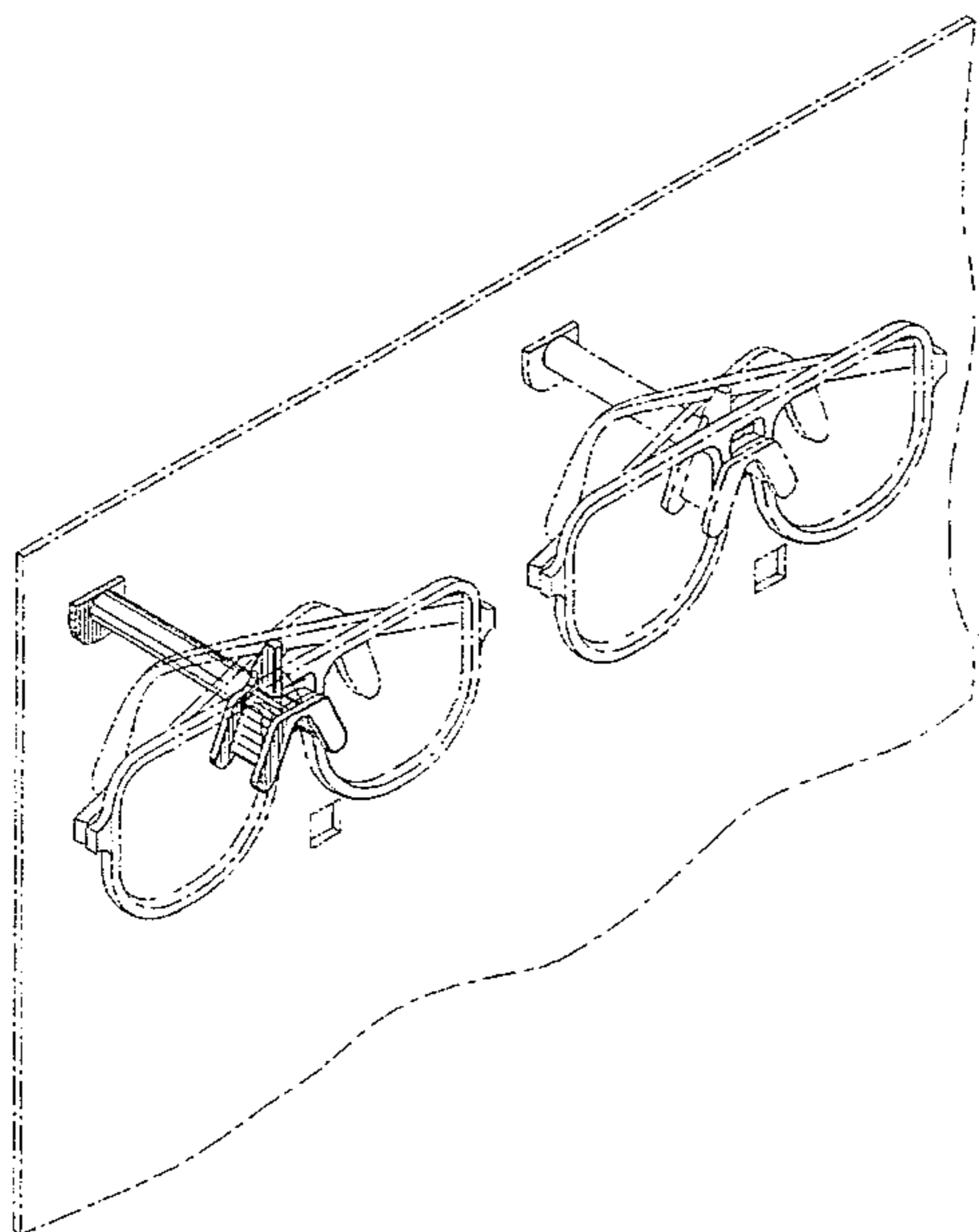
FIG. 6 is an enlarged rear elevational view thereof;

FIG. 7 is an enlarged bottom plan view thereof;

FIG. 8 is a top, front, and left side perspective view of the second embodiment thereof, the only difference from the first residing in the length of the horizontal portion, and the broken line disclosure of an eyeglass and partial display panel being for illustrative purposes only and forming no part of the claimed design; and,

FIG. 9 is a top, rear, and right side perspective view of the second embodiment thereof, the broken line disclosure of a partial display panel being for illustrative purposes only and forming no part of the claimed design.

1 Claim, 6 Drawing Sheets



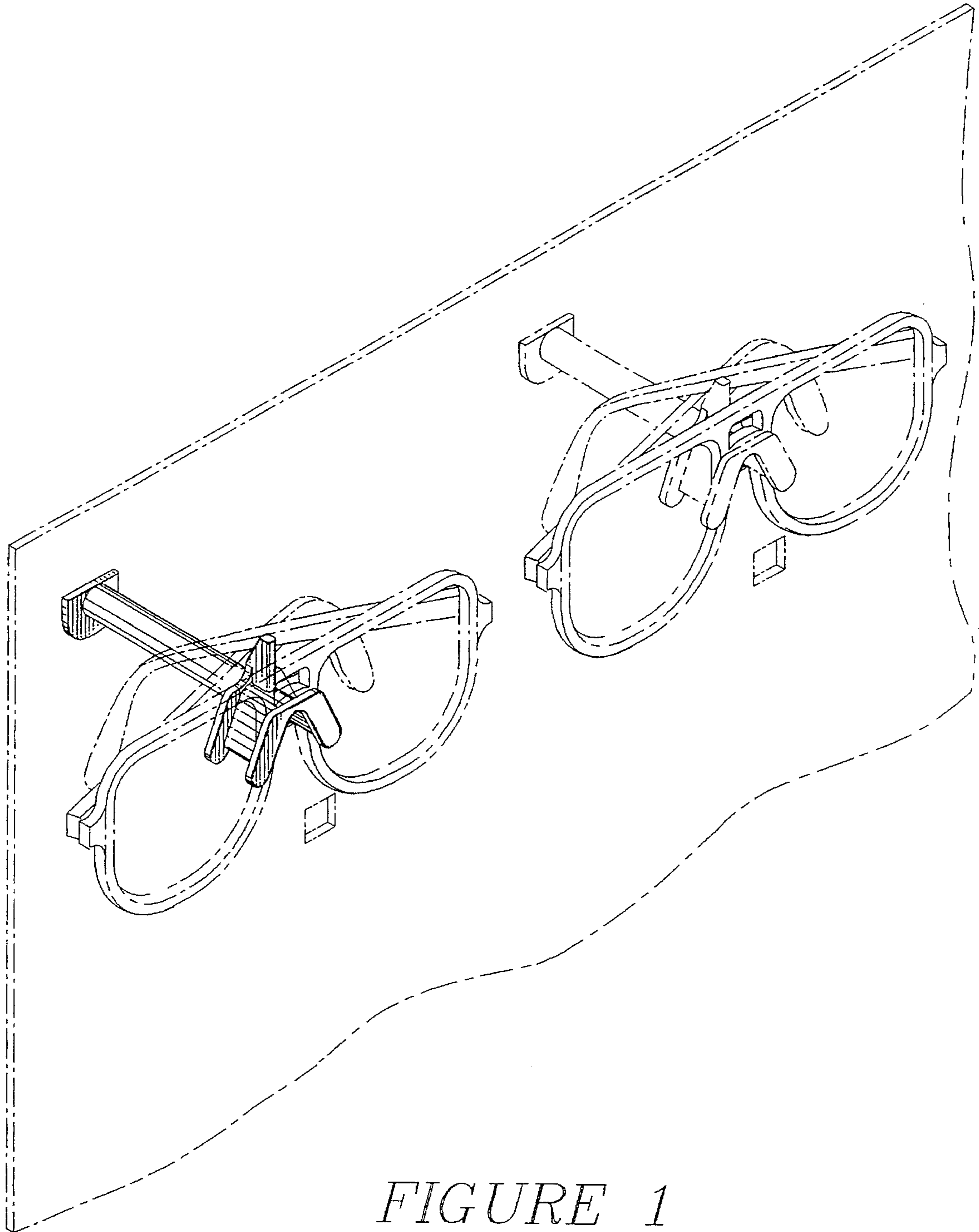


FIGURE 1

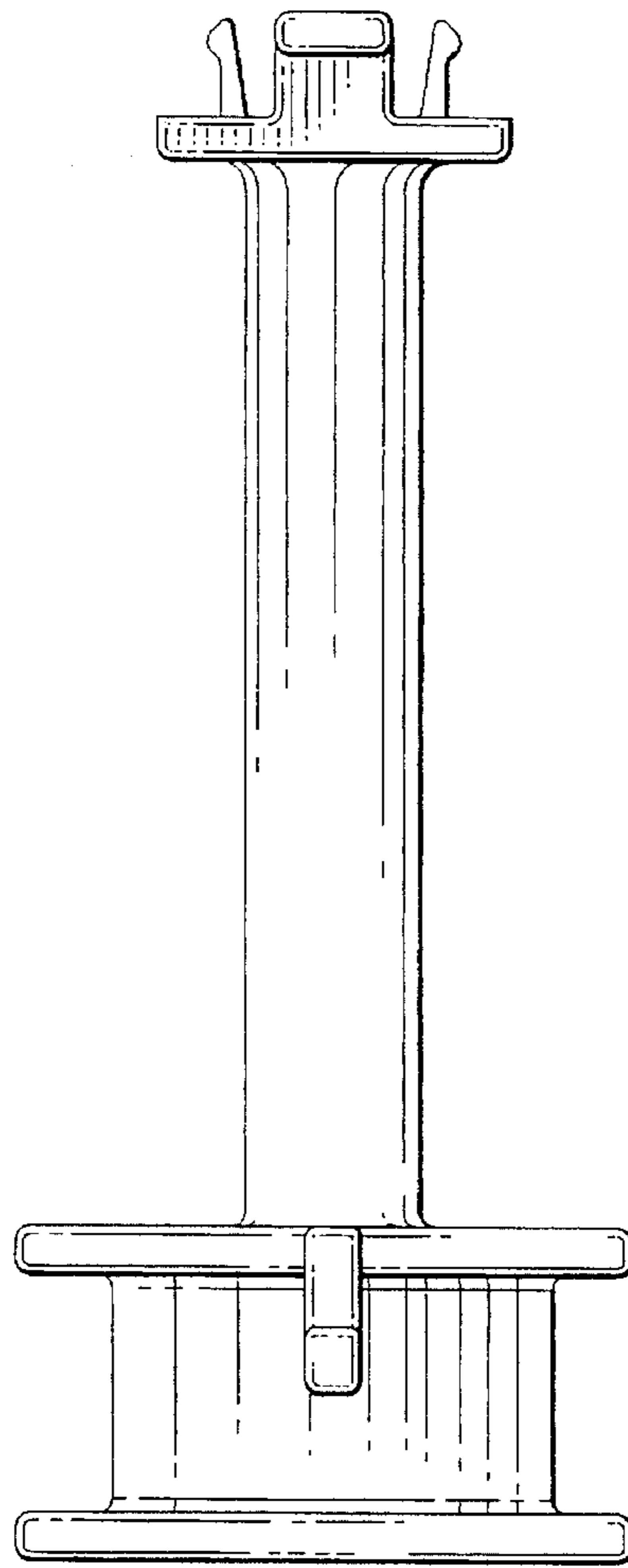


FIGURE 3

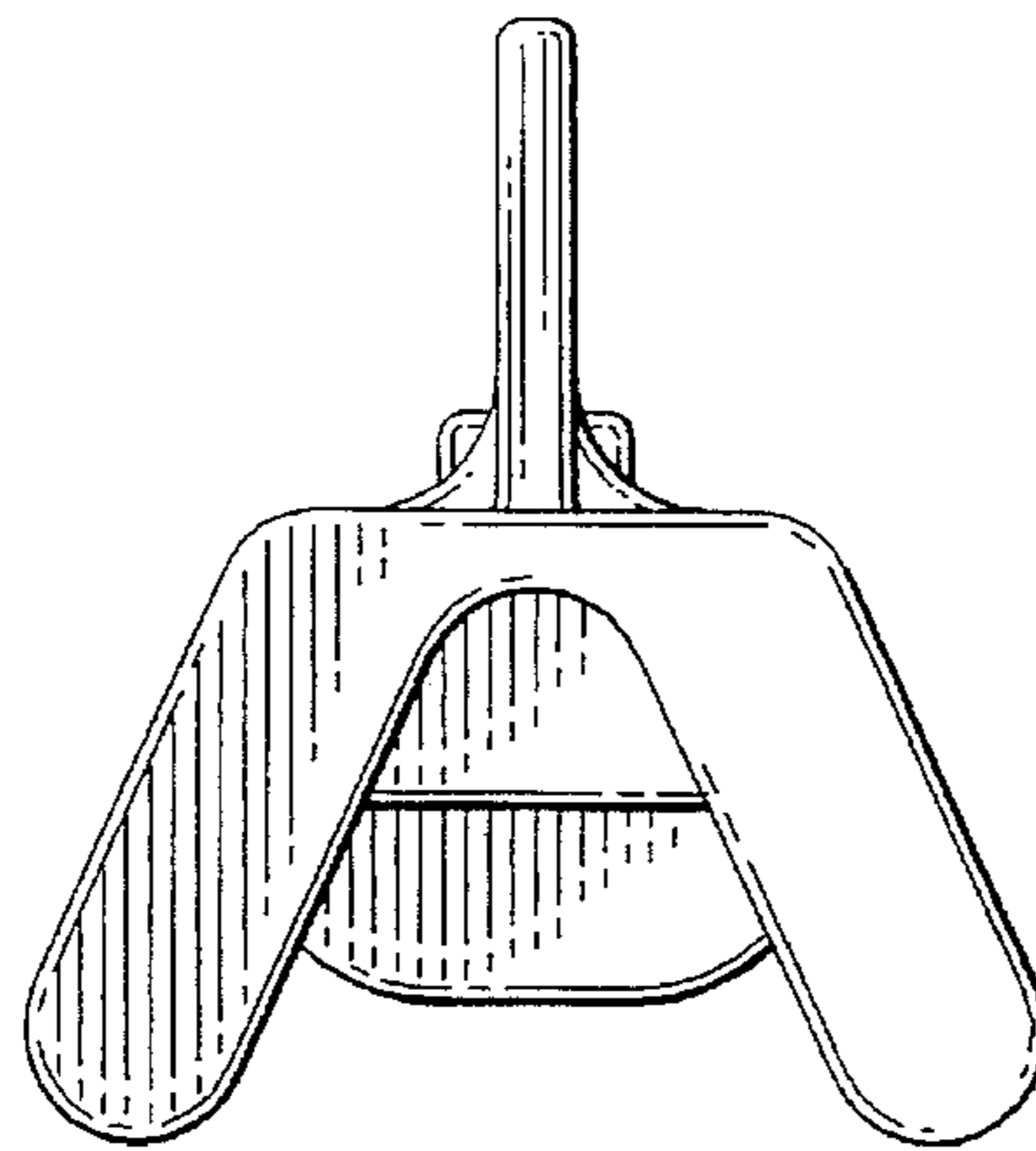


FIGURE 2

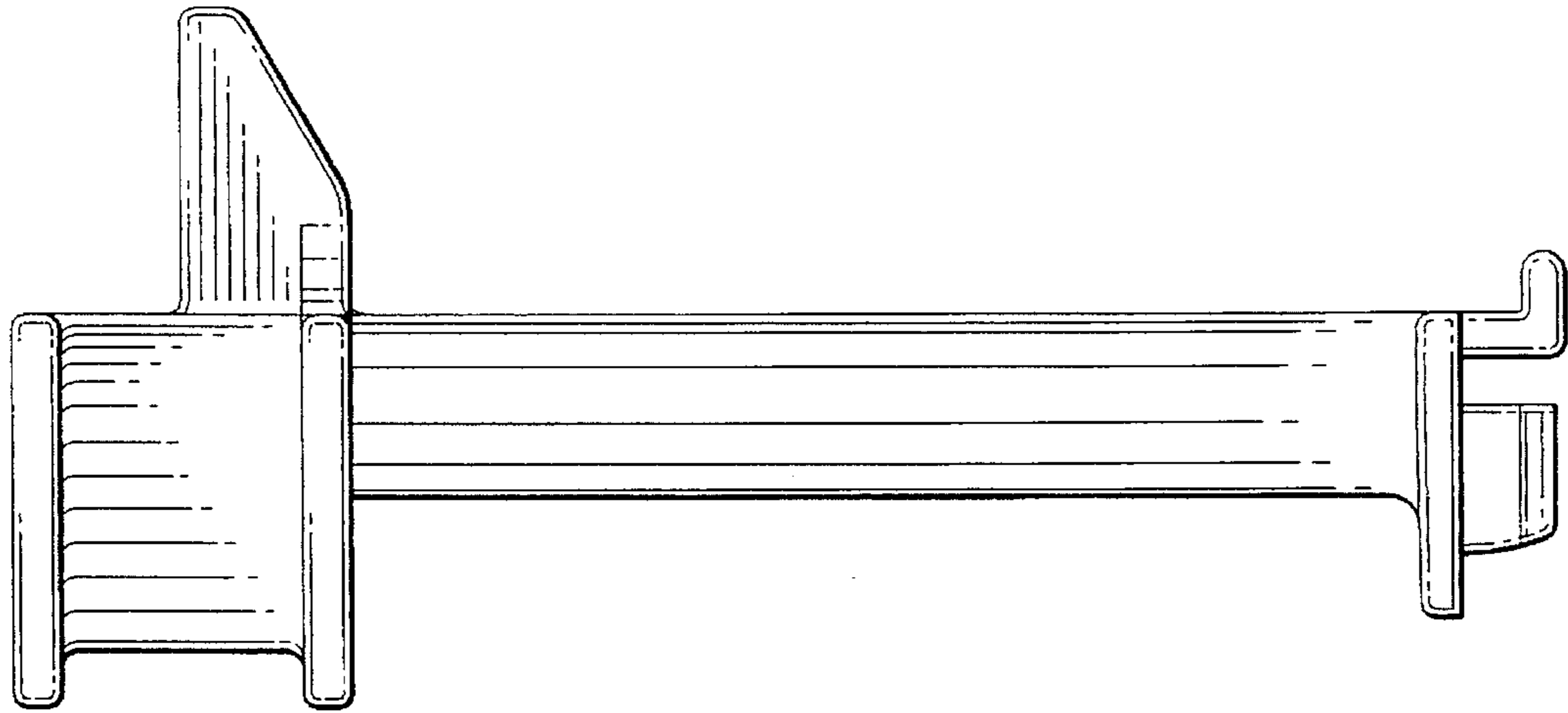


FIGURE 4

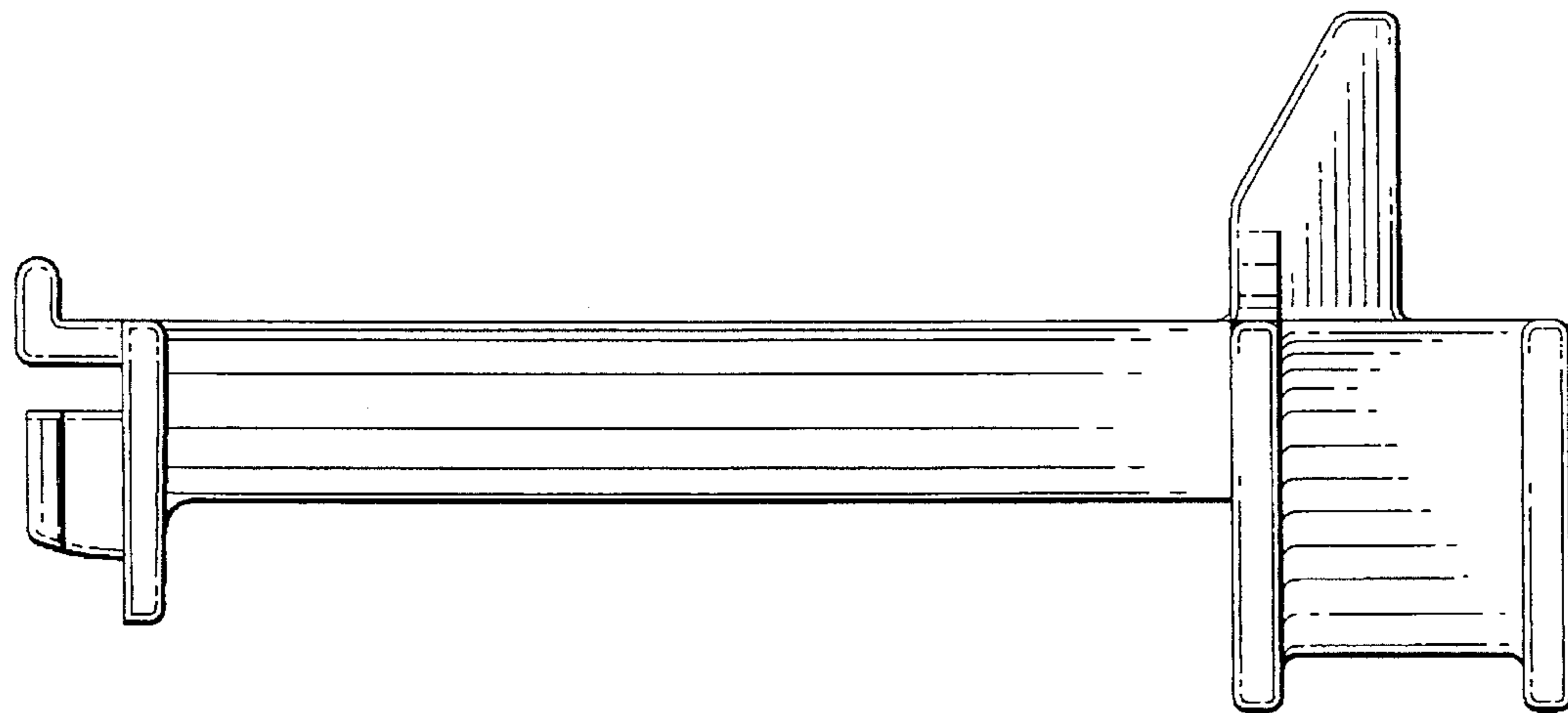


FIGURE 5

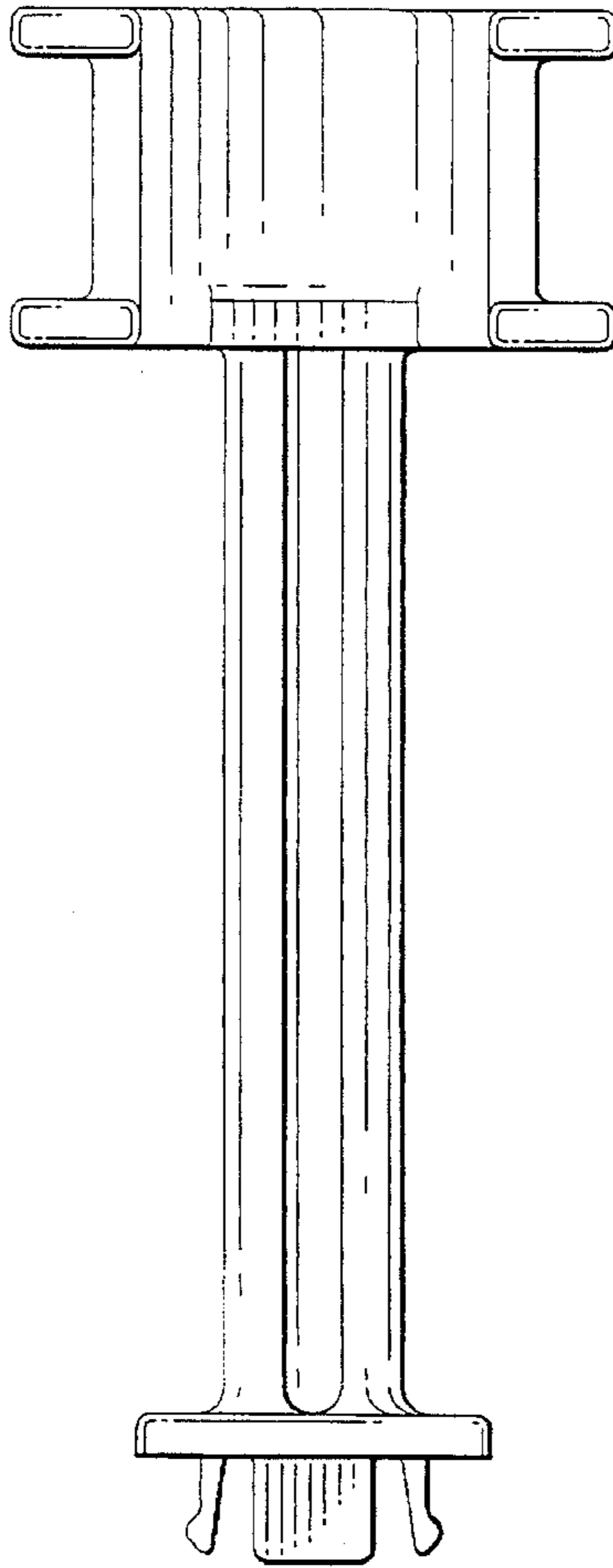


FIGURE 7

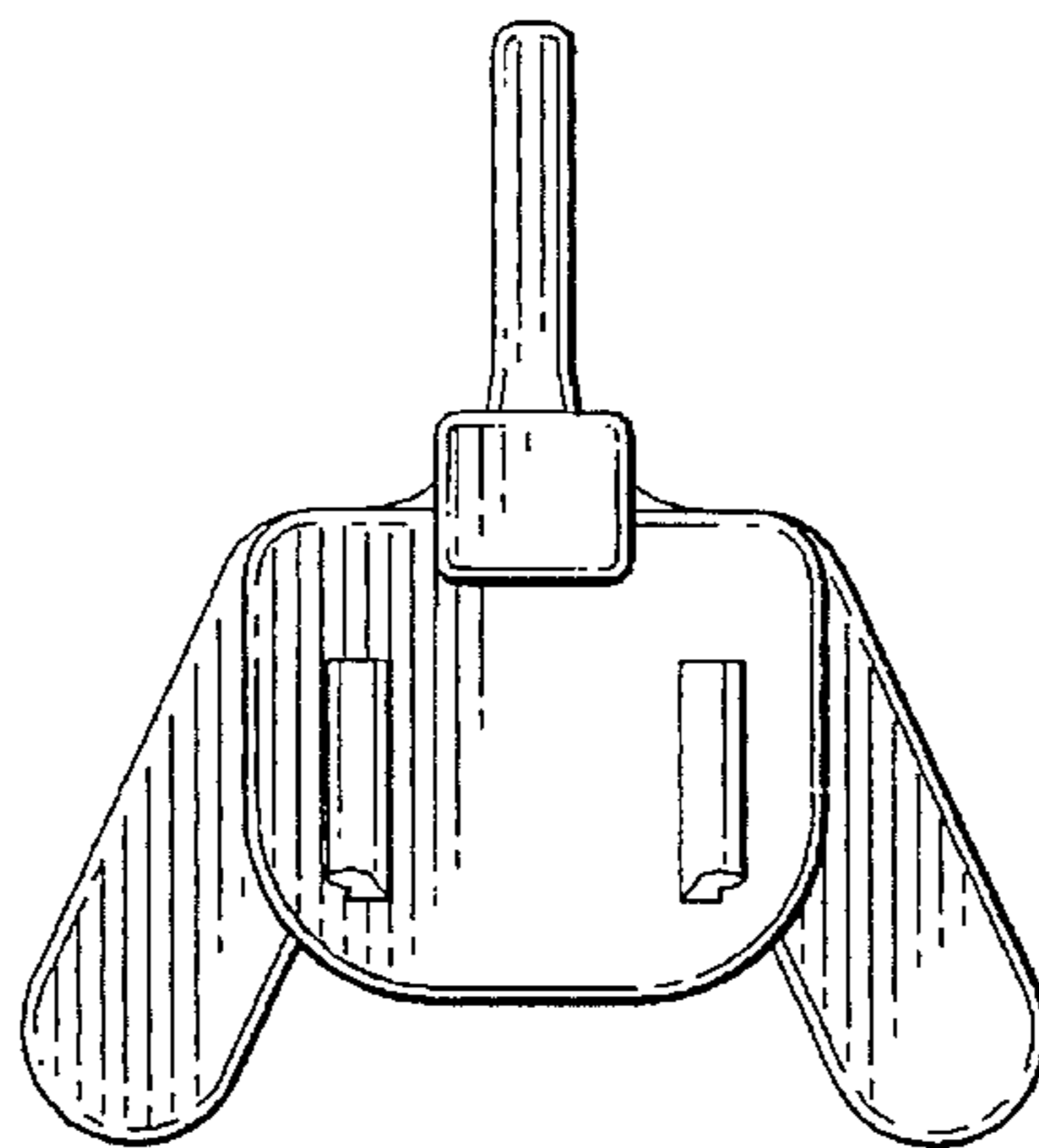


FIGURE 6

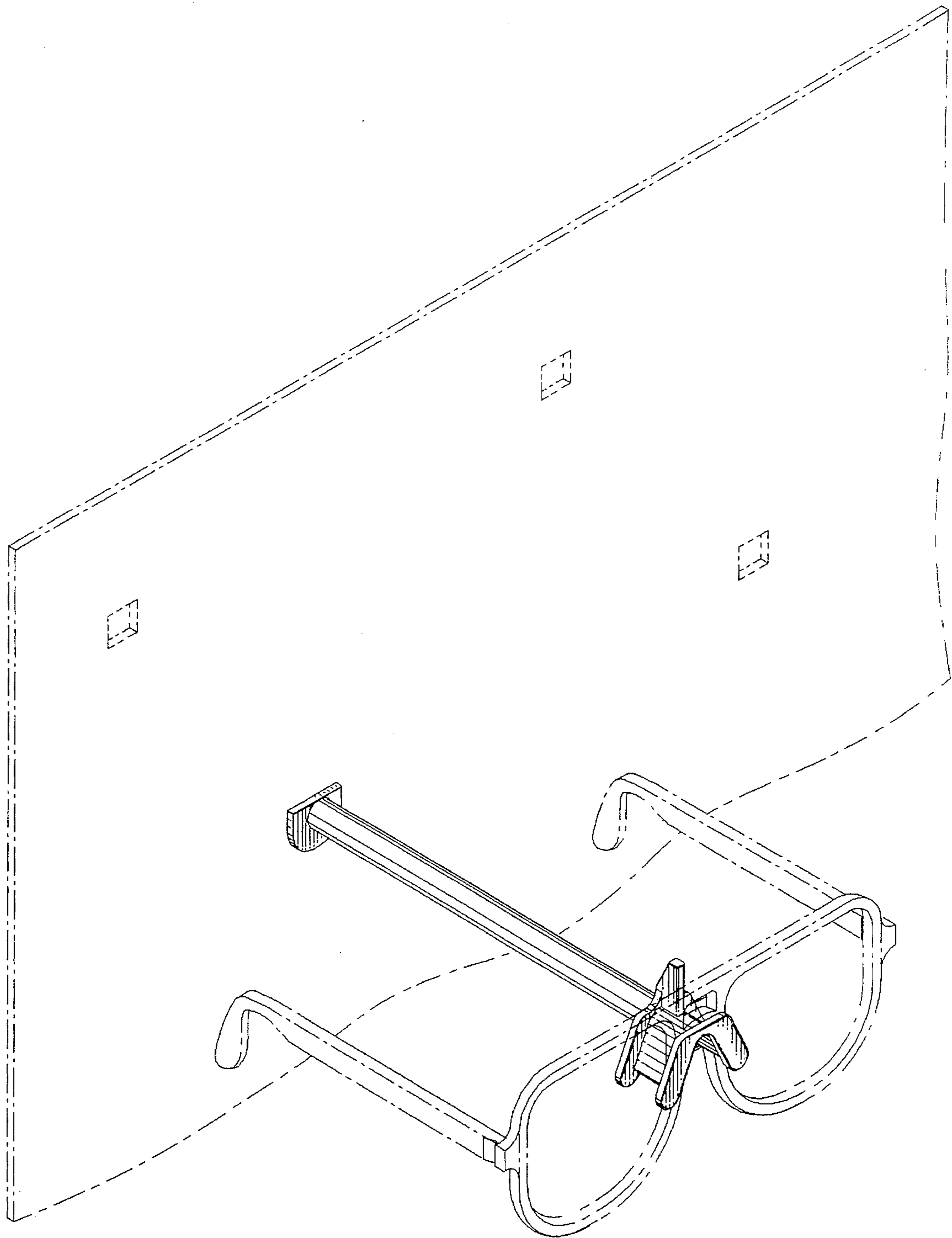


FIGURE 8

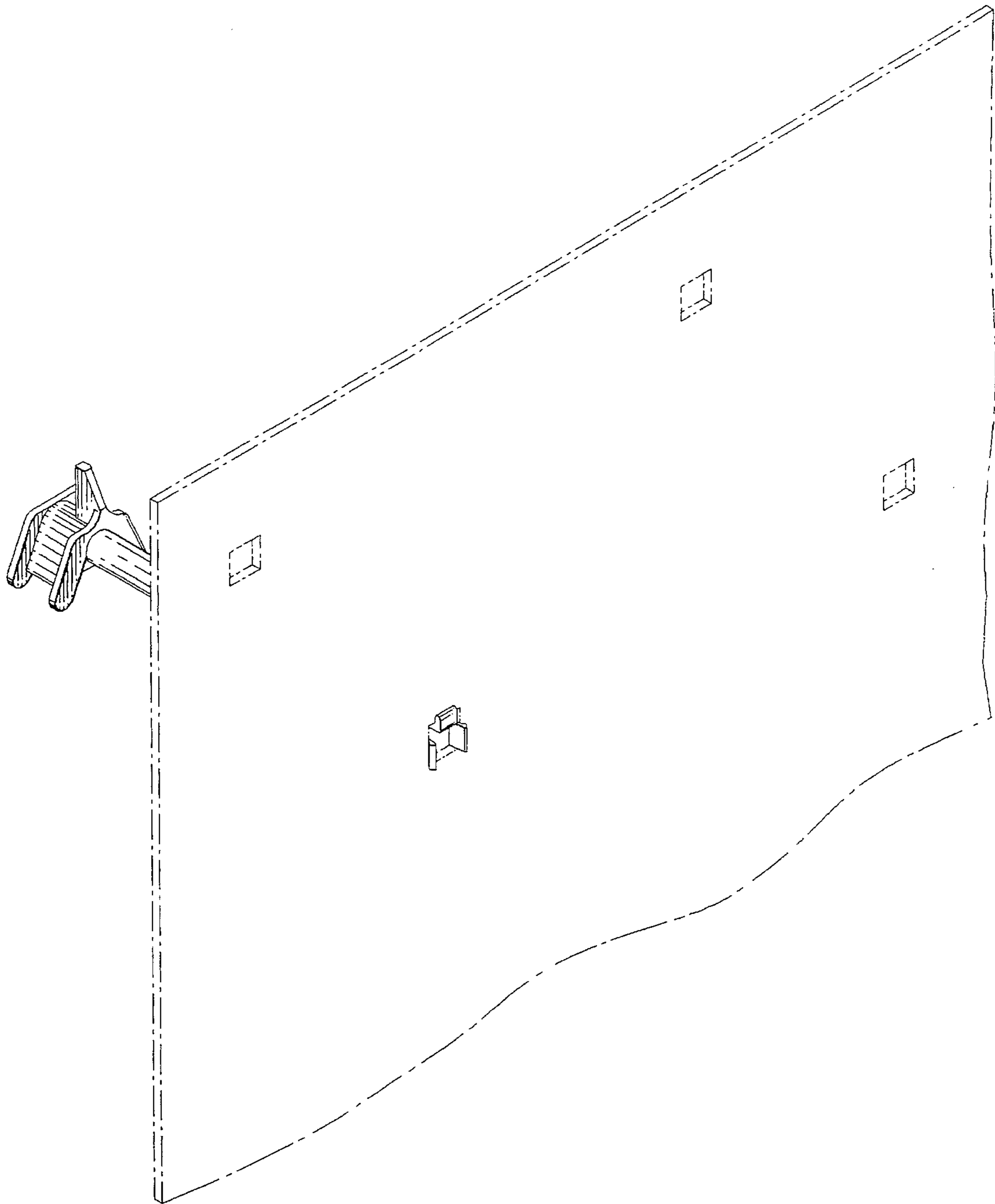


FIGURE 9