



US00D374365S

United States Patent [19]

Renk et al.

[11] Patent Number: **Des. 374,365**

[45] Date of Patent: ****Oct. 8, 1996**

[54] HOME THEATER IN-WALL STORAGE UNIT

[75] Inventors: **Thomas E. Renk**, Indianapolis; **Dennis J. Erber**, Noblesville, both of Ind.

[73] Assignee: **Thomson Consumer Electronics, Inc.**, Indianapolis, Ind.

[**] Term: **14 Years**

[21] Appl. No.: **43,014**

[22] Filed: **Aug. 23, 1995**

[52] U.S. Cl. **D6/561**

[58] Field of Search D6/512, 567, 432, D6/555; 312/7.2, 7.1, 21, 213, 242, 245, 223.1

[56] References Cited

U.S. PATENT DOCUMENTS

D. 342,514	12/1993	Gilmore	D6/432
3,467,455	9/1969	Caldemeyer	D6/432 X
4,221,442	9/1980	Harangozo	312/242 X
5,303,057	4/1994	Davidow et al.	312/7.2 X

Primary Examiner—Brian N. Vinson
Attorney, Agent, or Firm—Woodard, Emhardt, Naughton, Moriarty & McNett

[57] CLAIM

The ornamental design for a home theater in-wall storage unit, as shown and described.

DESCRIPTION

FIG. 1 is a top, front, and left side perspective view of a home theater in-wall storage unit showing our new design; FIG. 2 is a enlarged top plan view thereof, the bottom being a mirror image of that shown; FIG. 3 is a enlarged right side elevational view thereof, the left side being a mirror image of that shown; FIG. 4 is an enlarged front elevational view thereof; FIG. 5 is a top, front, and left side perspective view thereof, with the right door shown in an opened position; FIG. 6 is an enlarged top plan view thereof, with both doors shown in an opened position; FIG. 7 is an enlarged right side elevational view thereof, with both doors shown in an opened position, and the left side being a mirror image of that shown; and, FIG. 8 is an enlarged front elevational view thereof, with both doors shown in an opened position.

The fragmentary broken-line disclosure of a portion of the wall surrounding the unit is for illustrative purposes only and forms no part of the claimed design.

1 Claim, 8 Drawing Sheets

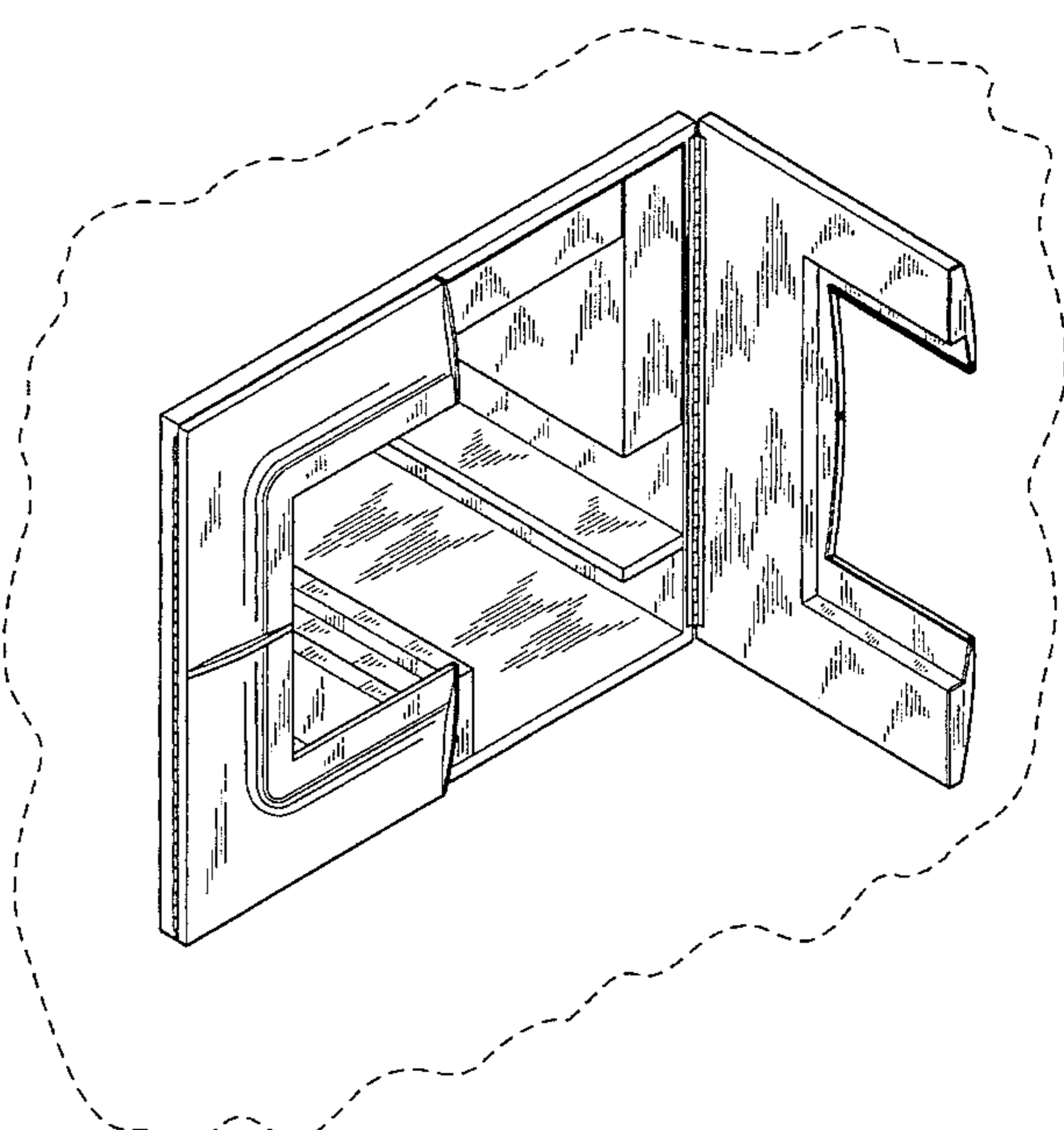
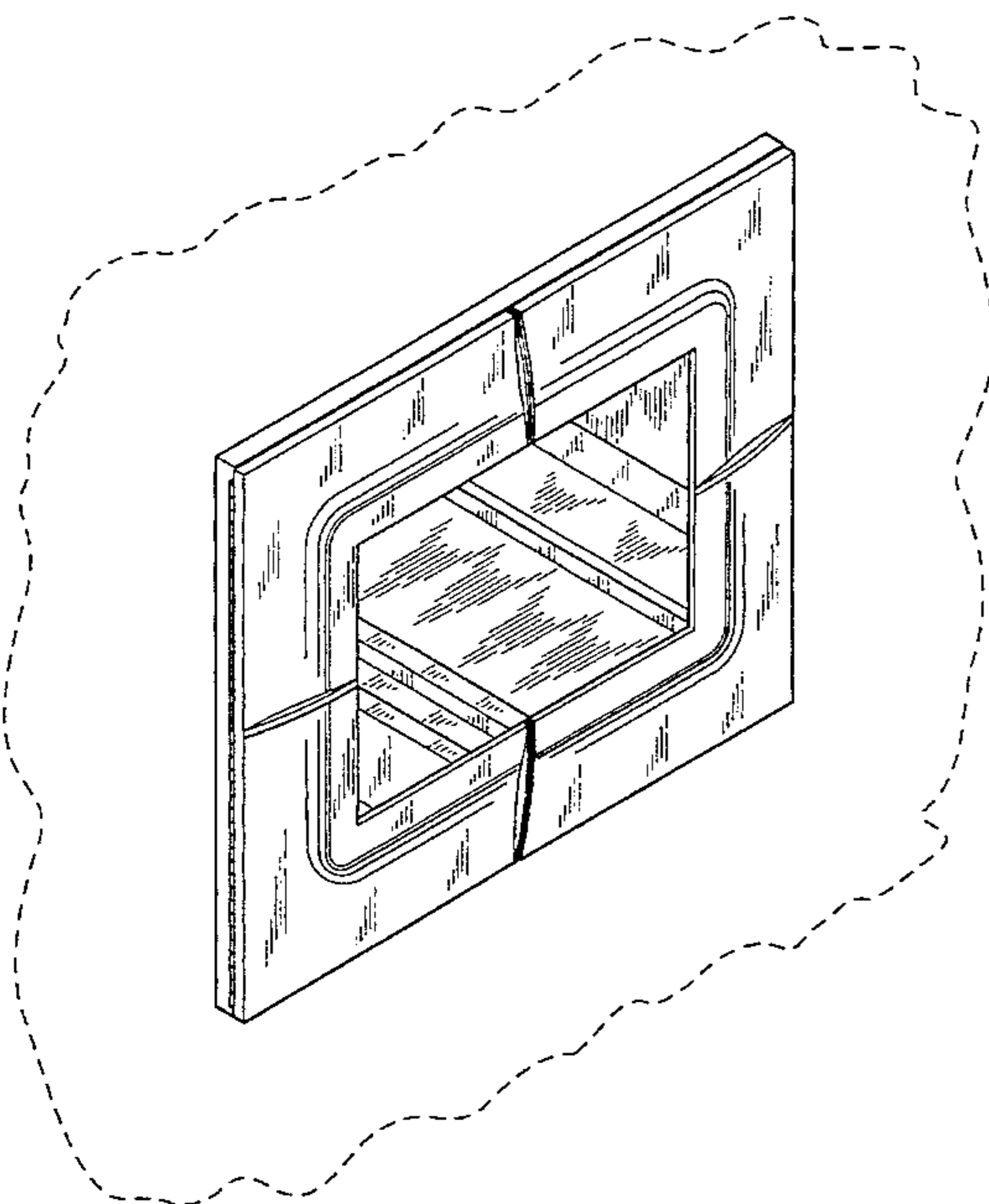
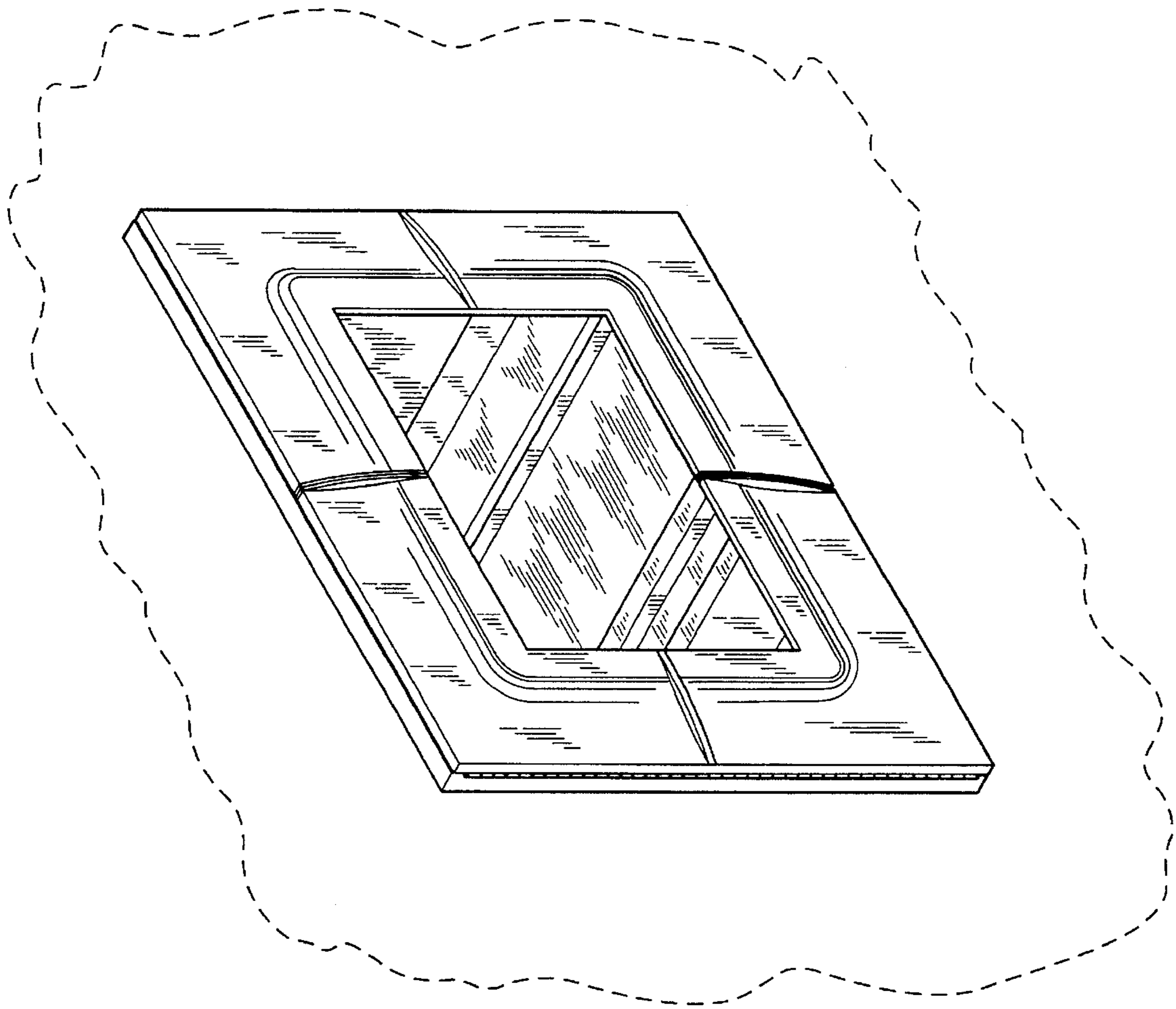


Fig. 1



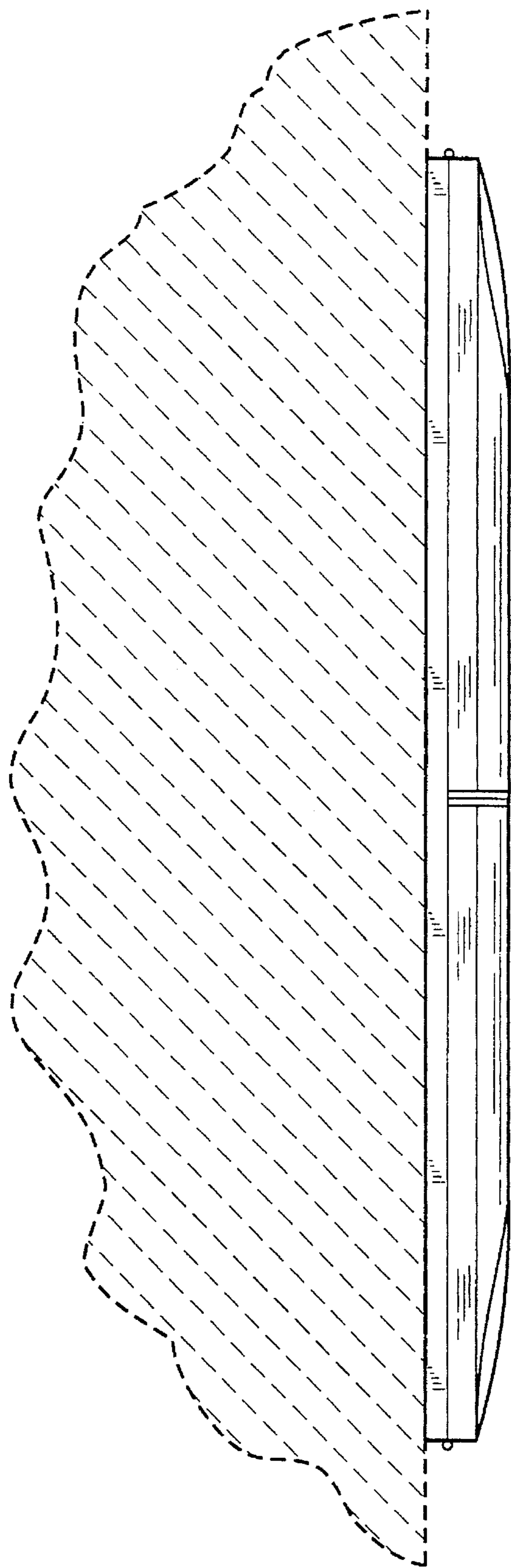


Fig. 2

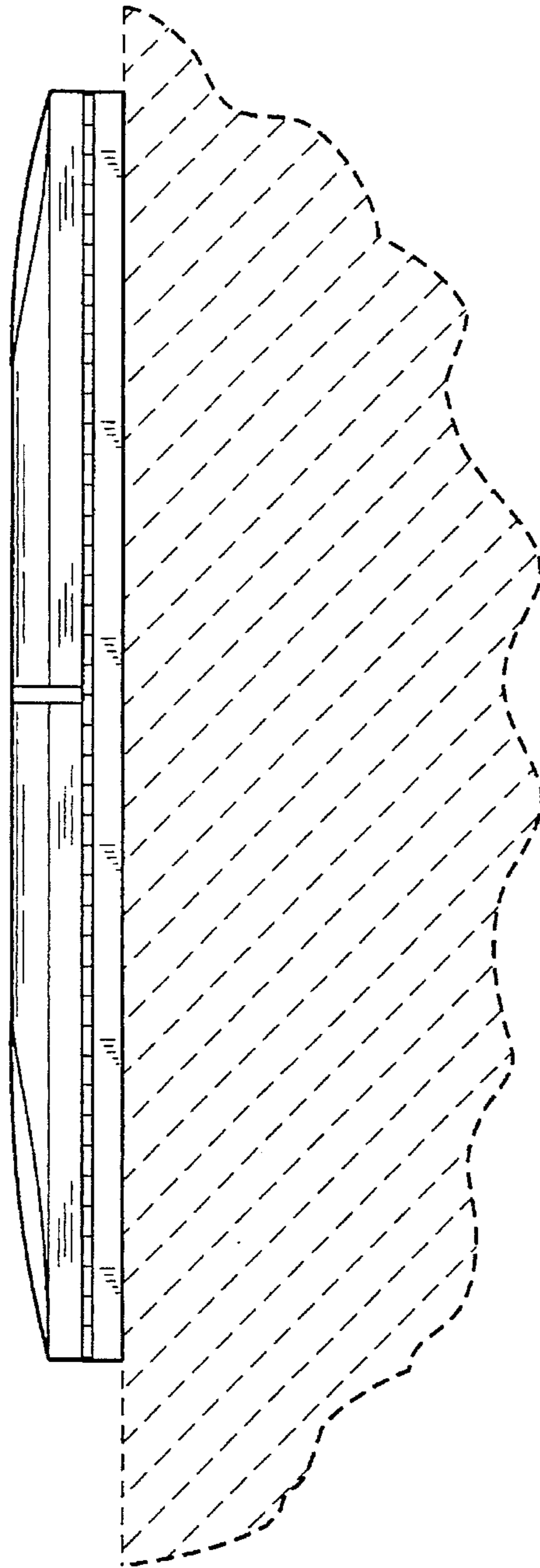


Fig. 3

Fig. 4

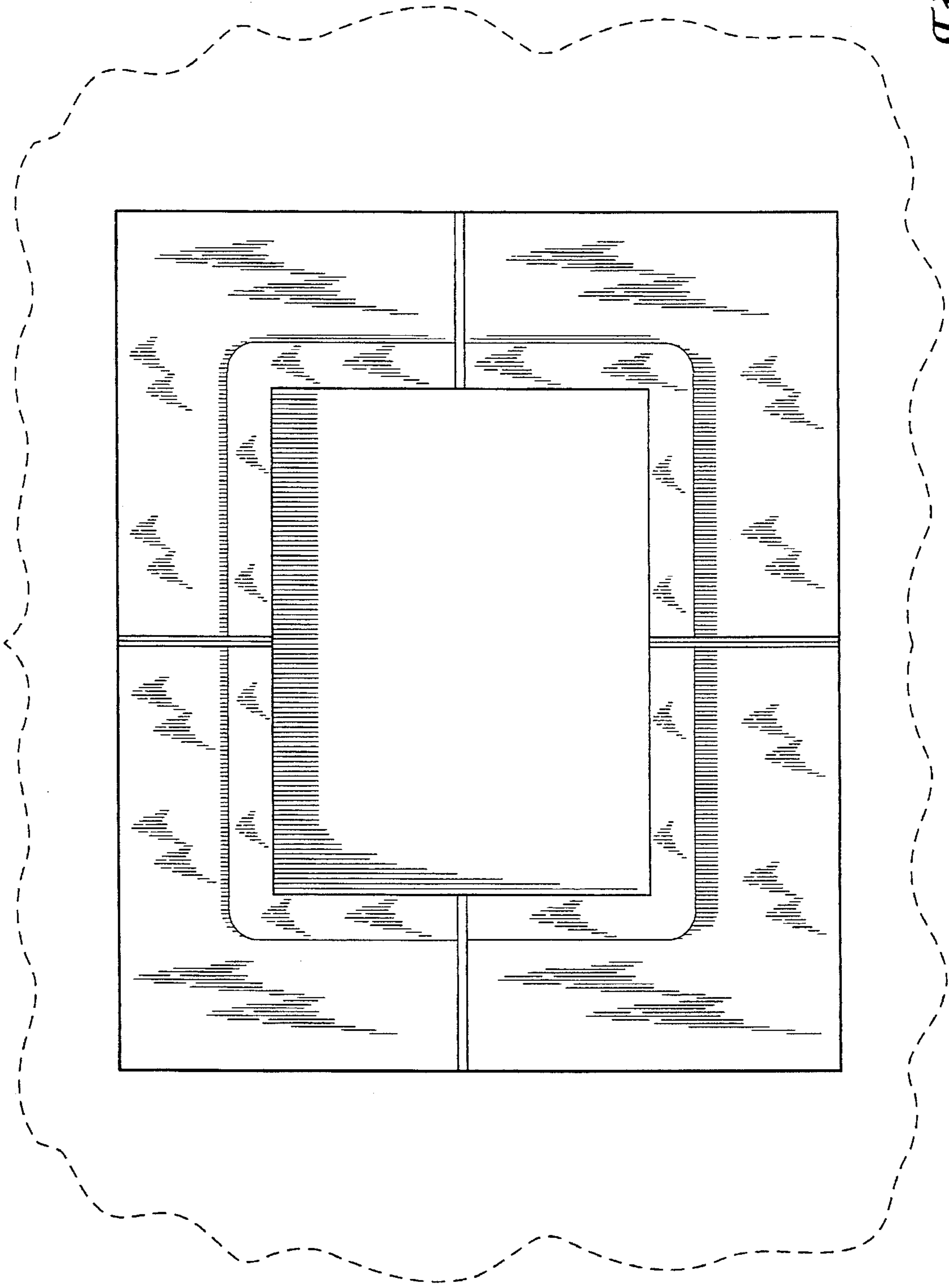


Fig. 5

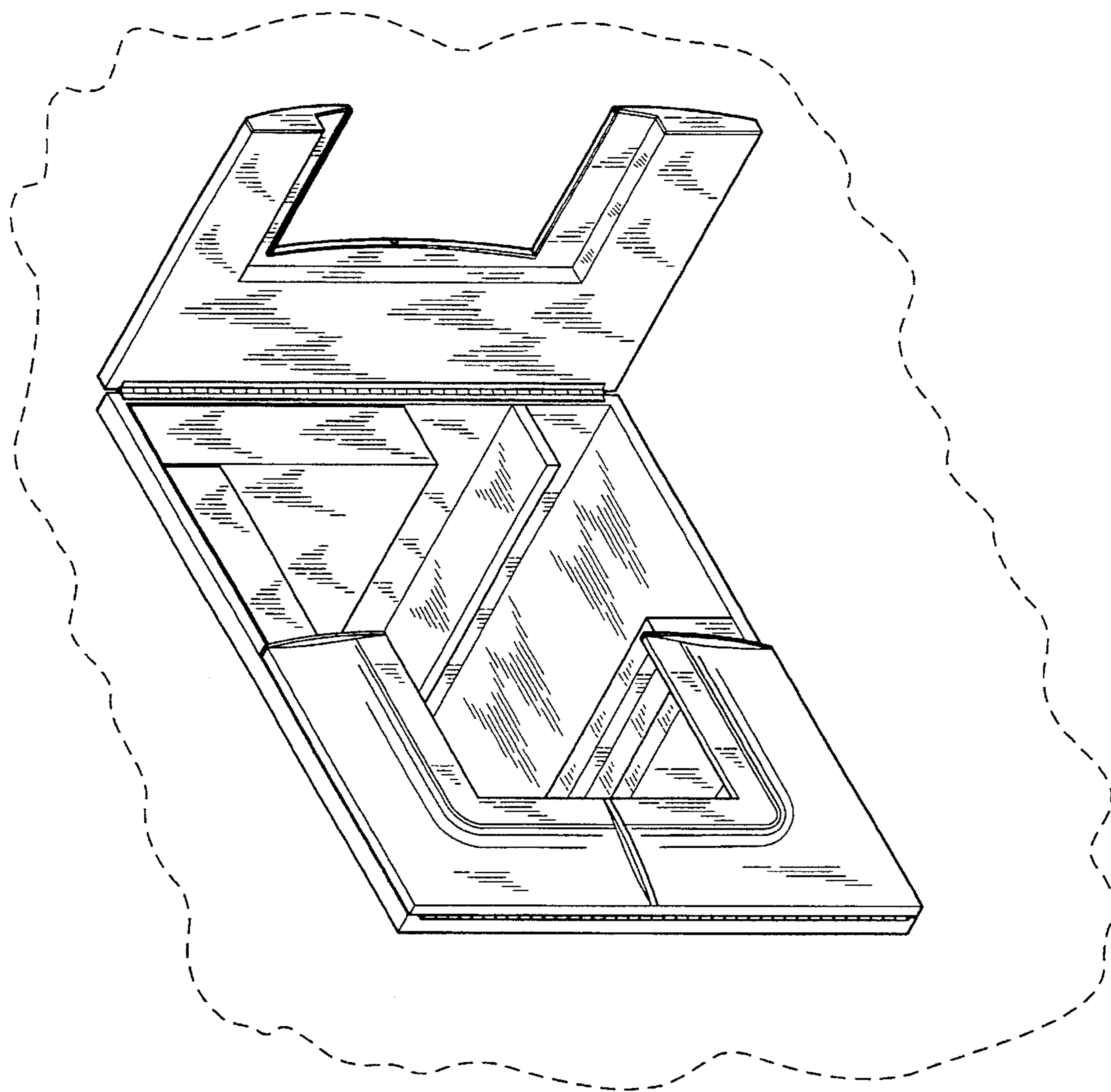
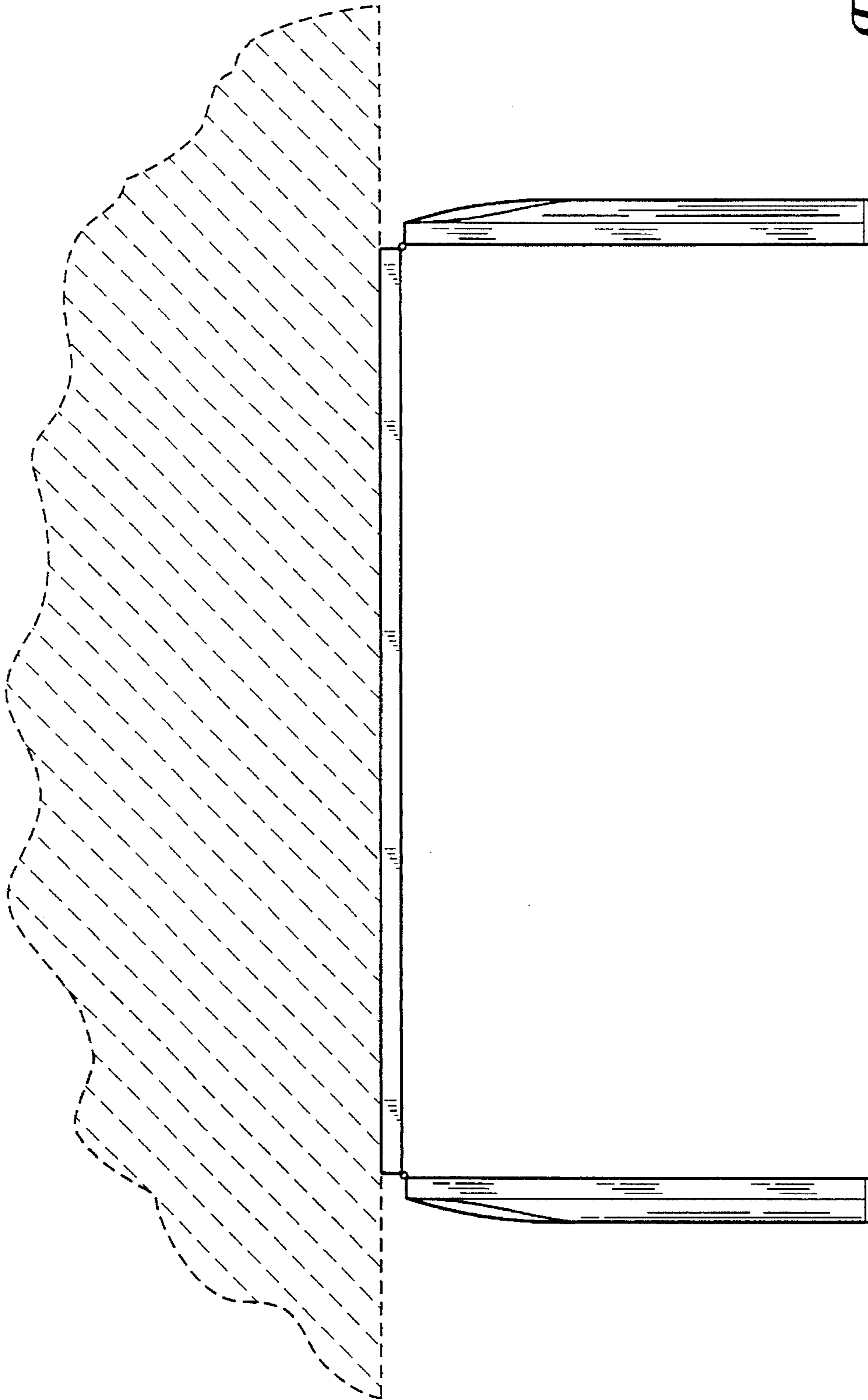


Fig. 6



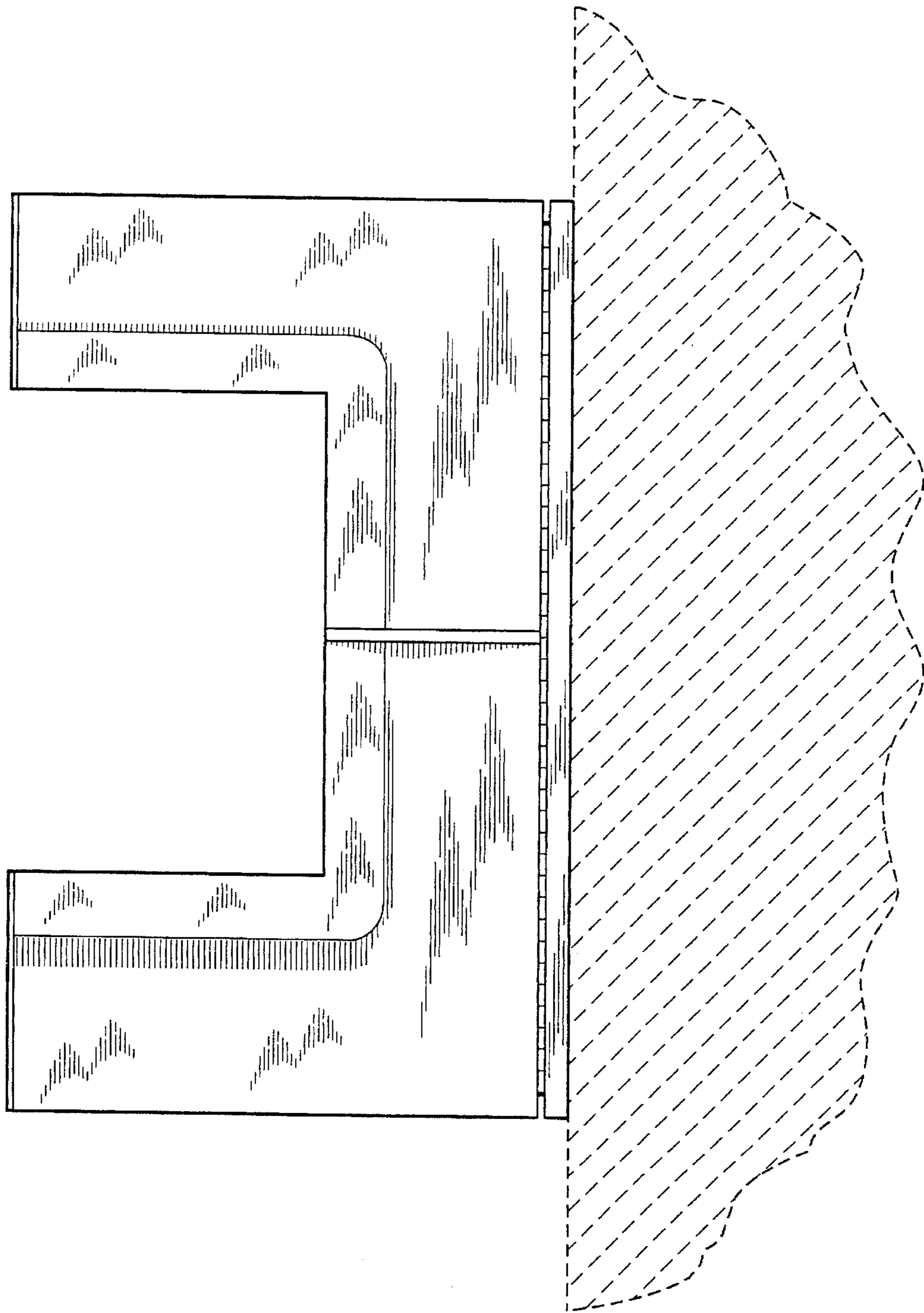


Fig. 7

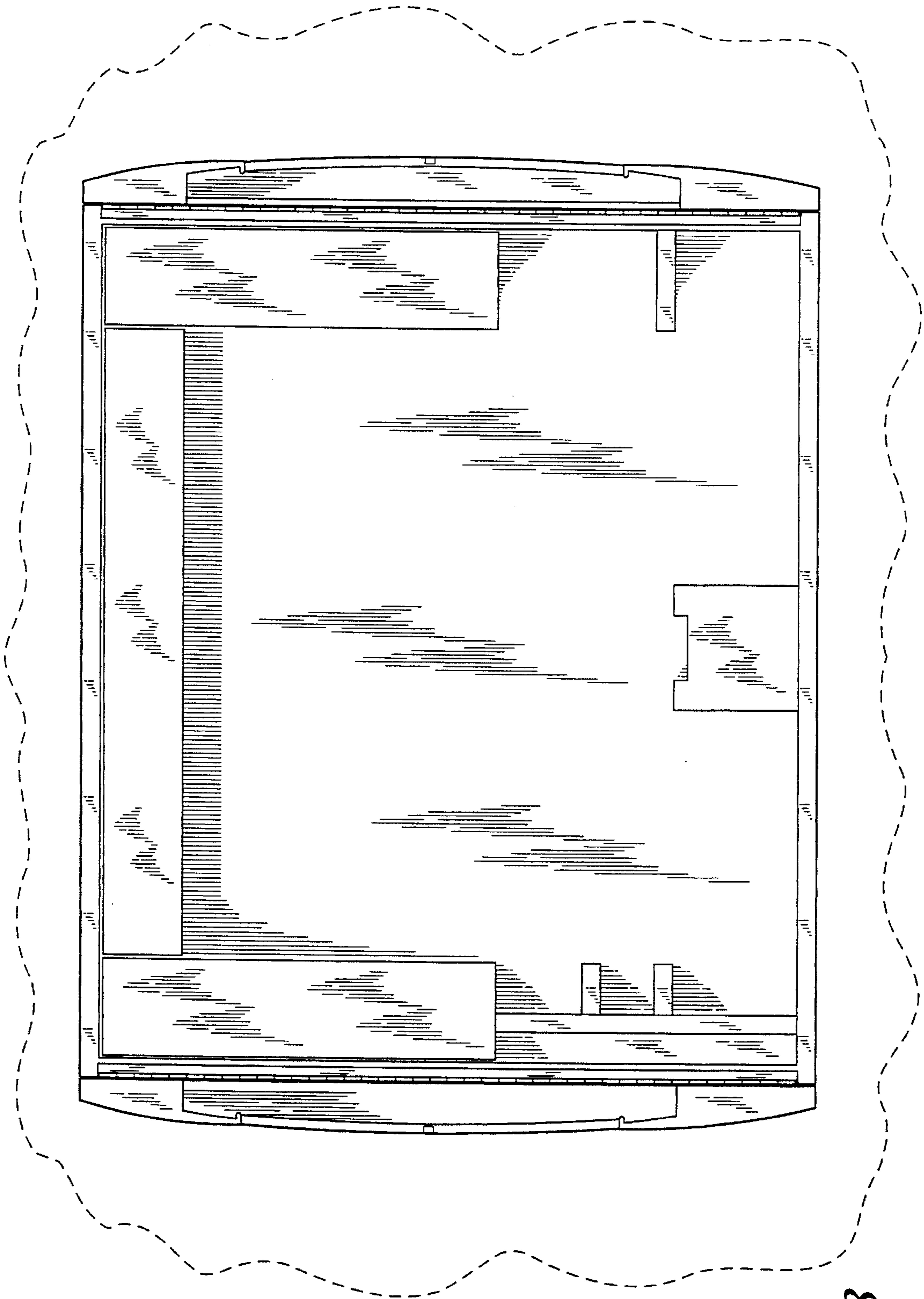


Fig. 8