



US00D374361S

United States Patent [19]

Lehn et al.

[11] Patent Number: **Des. 374,361**

[45] Date of Patent: ***** Oct. 8, 1996**

[54] TOILET TISSUE HOLDER

[75] Inventors: **John S. Lehn**, Reading; **Leslie A. Meck**, Blandon; **Julie A. Pirsch**, Wayne, all of Pa.

[73] Assignee: **Baldwin Hardware Corporation**, Reading, Pa.

[*] Notice: The portion of the term of this patent subsequent to Apr. 18, 2009, has been disclaimed.

[**] Term: **14 Years**

[21] Appl. No.: **14,393**

[22] Filed: **Oct. 20, 1993**

[52] U.S. Cl. **D6/523**

[58] Field of Search D6/546-550, 518, D6/522-523; 211/16, 86-87, 123; 242/570, 590, 598

[56] References Cited

U.S. PATENT DOCUMENTS

D. 286,963	12/1986	Waghorn	D6/549
D. 296,637	7/1988	Fayerman et al.	D6/572
D. 299,096	12/1988	Fayerman et al.	D6/531
D. 299,099	12/1988	Gresens et al.	D6/550
D. 329,559	9/1992	Paul	D6/546
D. 337,230	7/1993	Wang	D6/550
D. 349,208	8/1994	Bollenbacher	D6/550

OTHER PUBLICATIONS

Baldwin Bath "Epic Accessories" Catalogue 'Georgetown' Style fixtures, p. 3.

Gatco Bathroom Accessories (Pub'd Prior to Filing Date).
Hamilton Collection Solid Brass (Pub'd Prior to Filing Date).

Cleopatra (Pub'd Prior to Filing Date).

Harrington Traditional (Pub'd Prior to Filing Date).

Brighton (Pub'd Prior to Filing Date).

Classica Collection-Melard Corp. (Pub'd Prior to Filing Date).

Primary Examiner—Brian N. Vinson

Attorney, Agent, or Firm—Edgar A. Zarins; Malcolm L. Sutherland

[57] CLAIM

The ornamental design for a toilet tissue holder, as shown and described.

DESCRIPTION

FIG. 1 is a top perspective view of a toilet tissue holder showing our new design;

FIG. 2 is a front elevational view thereof;

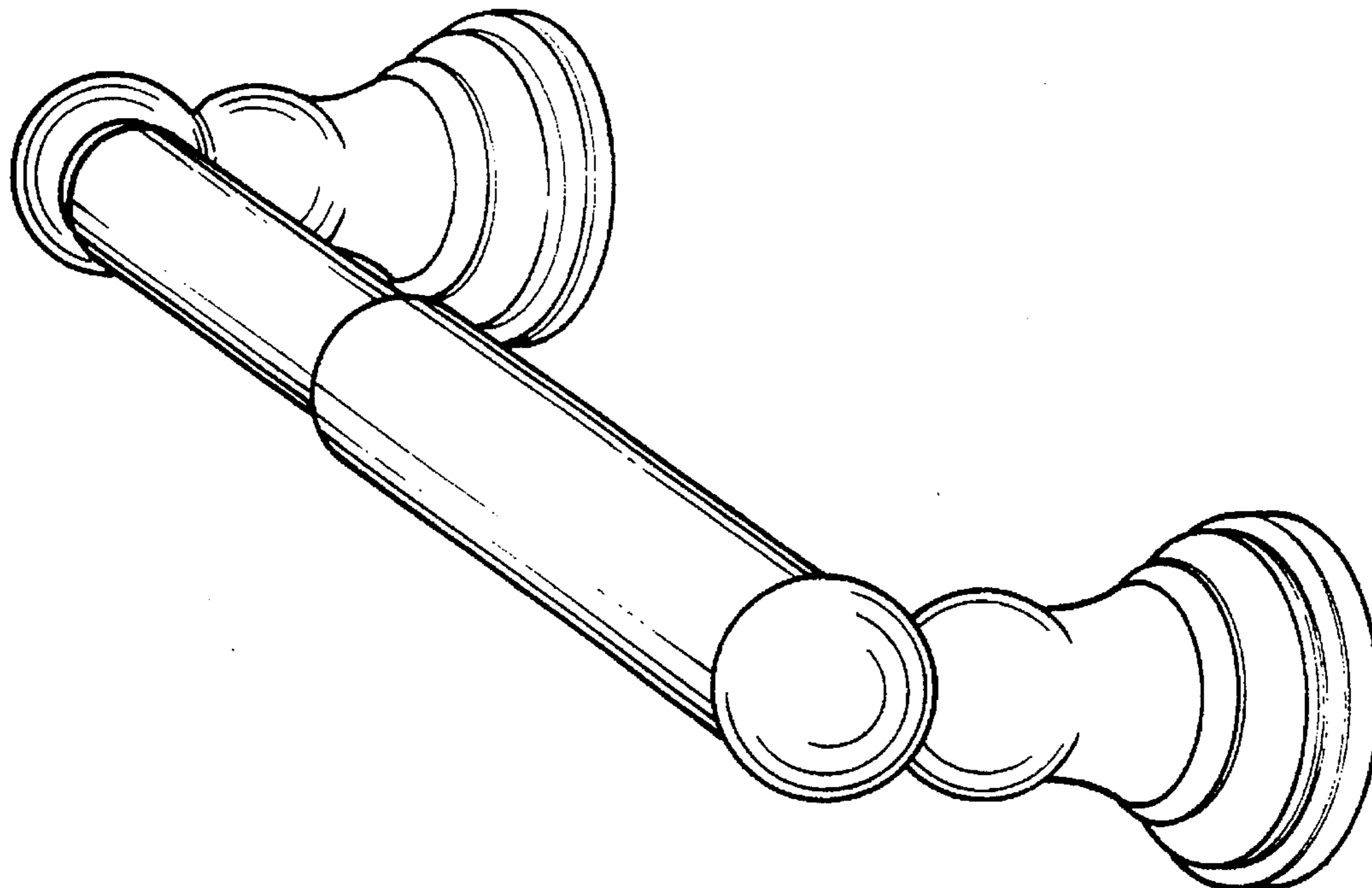
FIG. 3 is a top plan view thereof;

FIG. 4 is a left side elevational view thereof;

FIG. 5 is a right side elevational view thereof; and,

FIG. 6 is a rear elevational view thereof.

1 Claim, 2 Drawing Sheets



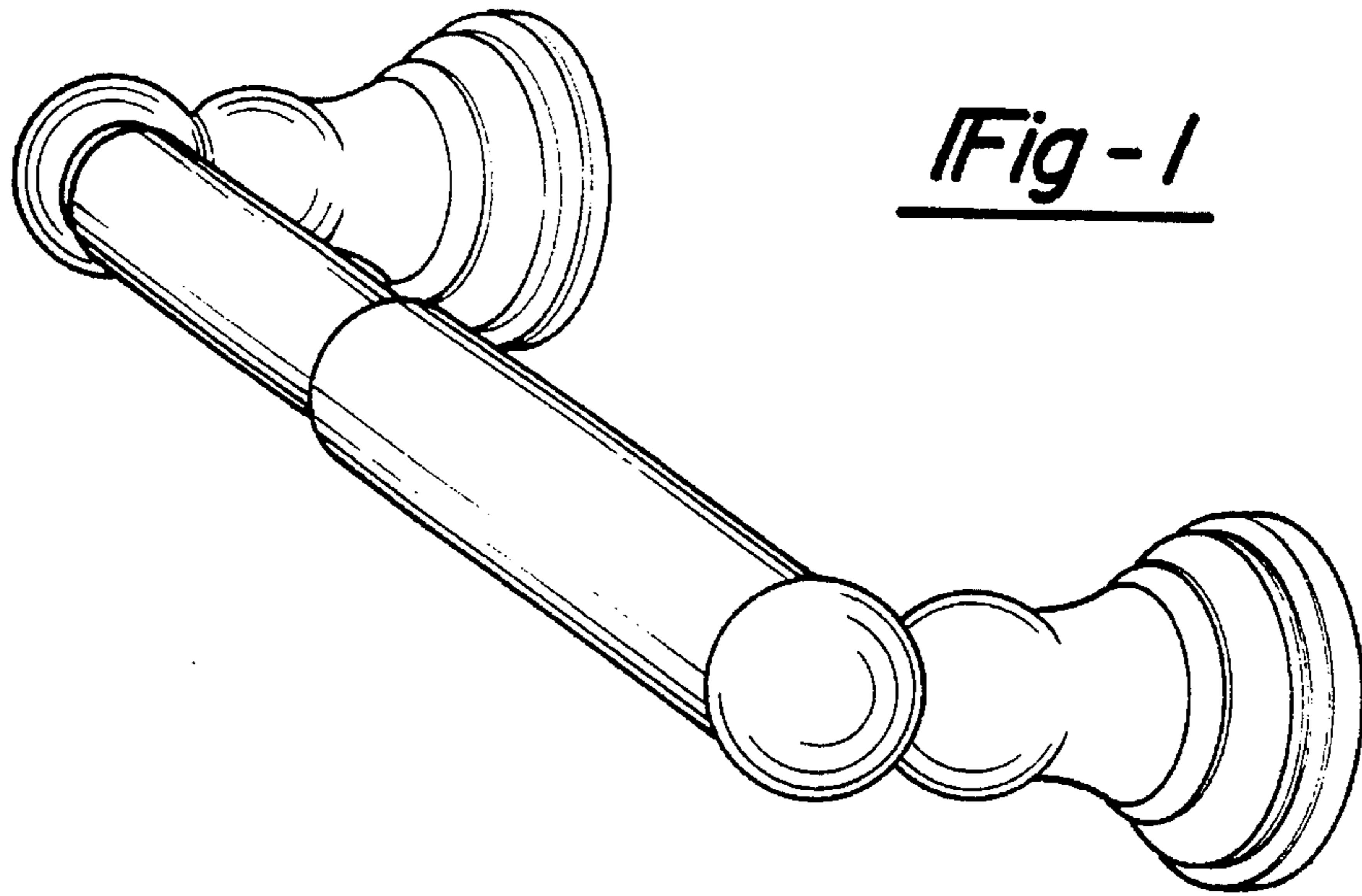


Fig - 1

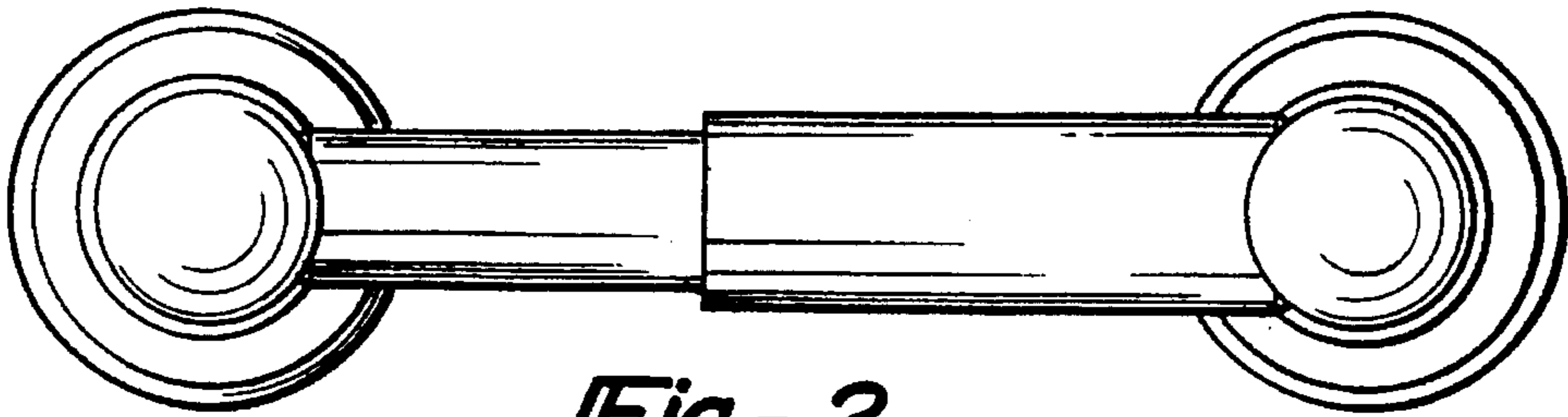


Fig - 2

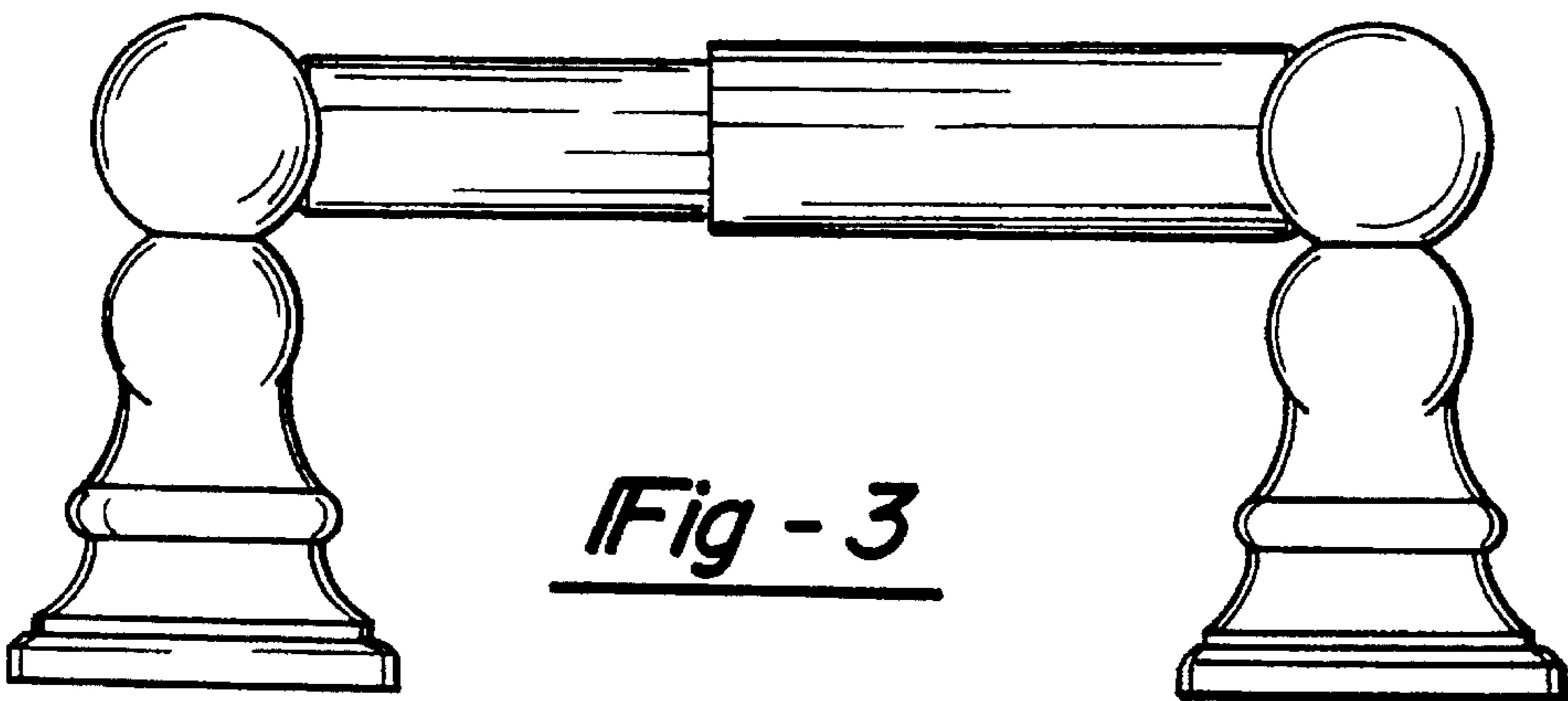


Fig - 3

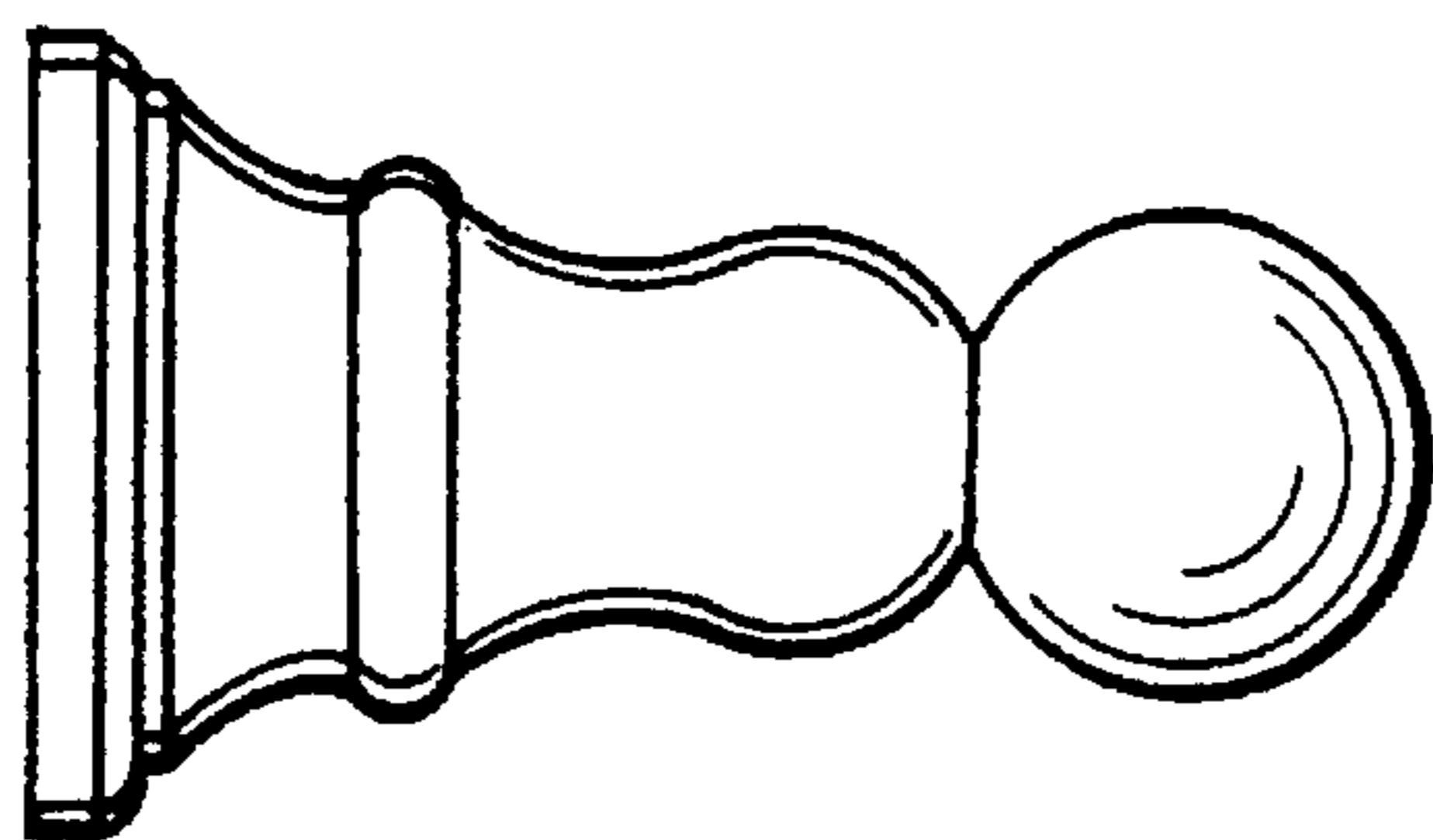


Fig - 4

Fig - 5

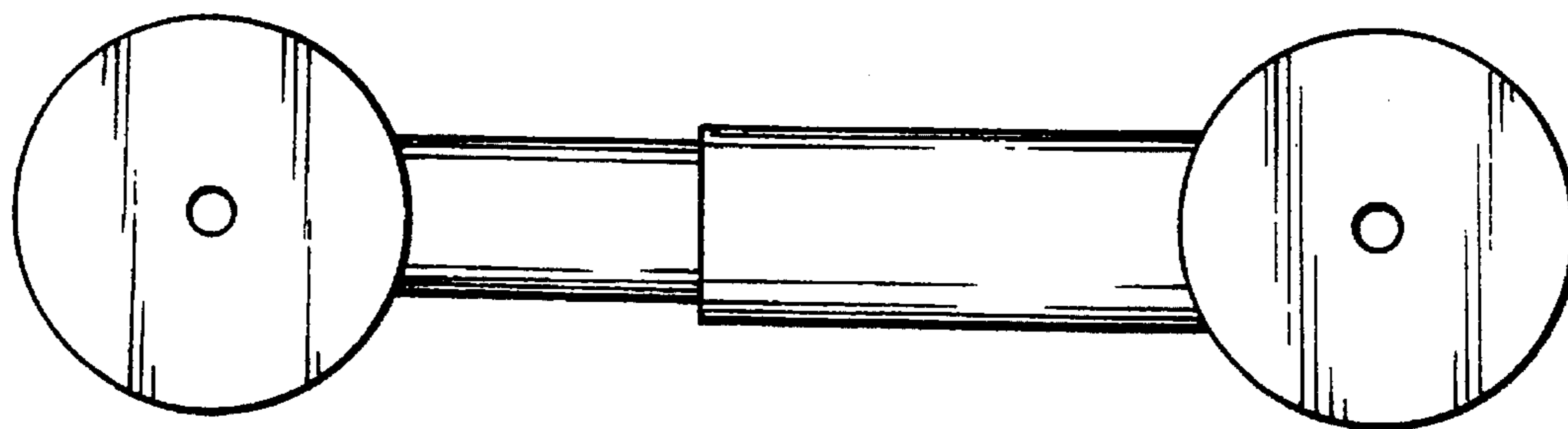
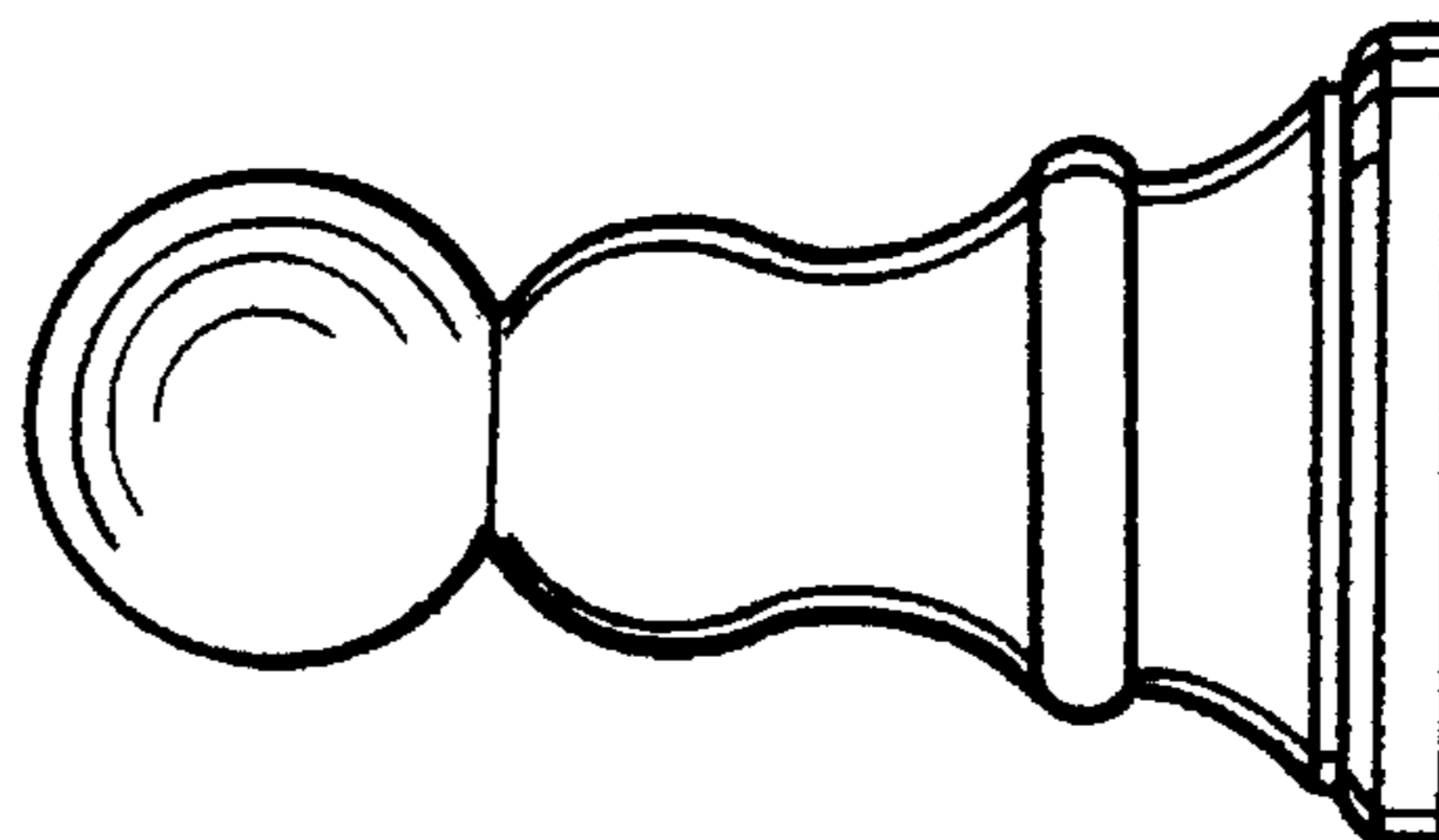


Fig - 6