



US00D374360S

United States Patent [19]

[11] **Patent Number:** **Des. 374,360**

Angermeir

[45] **Date of Patent:** ****Oct. 8, 1996**

[54] **TISSUE BOX HOLDER**

537,613 4/1895 Lucas 221/33 X
2,433,587 12/1947 Wentworth 206/494 X

[75] Inventor: **Arthur Angermeir**, 3605 Finley Ave.,
Newport Beach, Calif. 92663

Primary Examiner—Brian N. Vinson
Attorney, Agent, or Firm—Dennis Beech

[73] Assignee: **Arthur Angermeir**, Newport Beach,
Calif.

[57] **CLAIM**

[**] Term: **14 Years**

The ornamental design for a tissue box holder, as shown and described.

[21] Appl. No.: **41,540**

DESCRIPTION

[22] Filed: **Jul. 17, 1995**

[52] U.S. Cl. **D6/518**

[58] **Field of Search** D6/515-523; D9/414,
D9/415, 418, 433, 420, 422-423, 339;
206/494, 214, 425, 438, 440, 554; 221/33,
45, 185, 282, 283; 222/173, 180; 229/100,
117.09

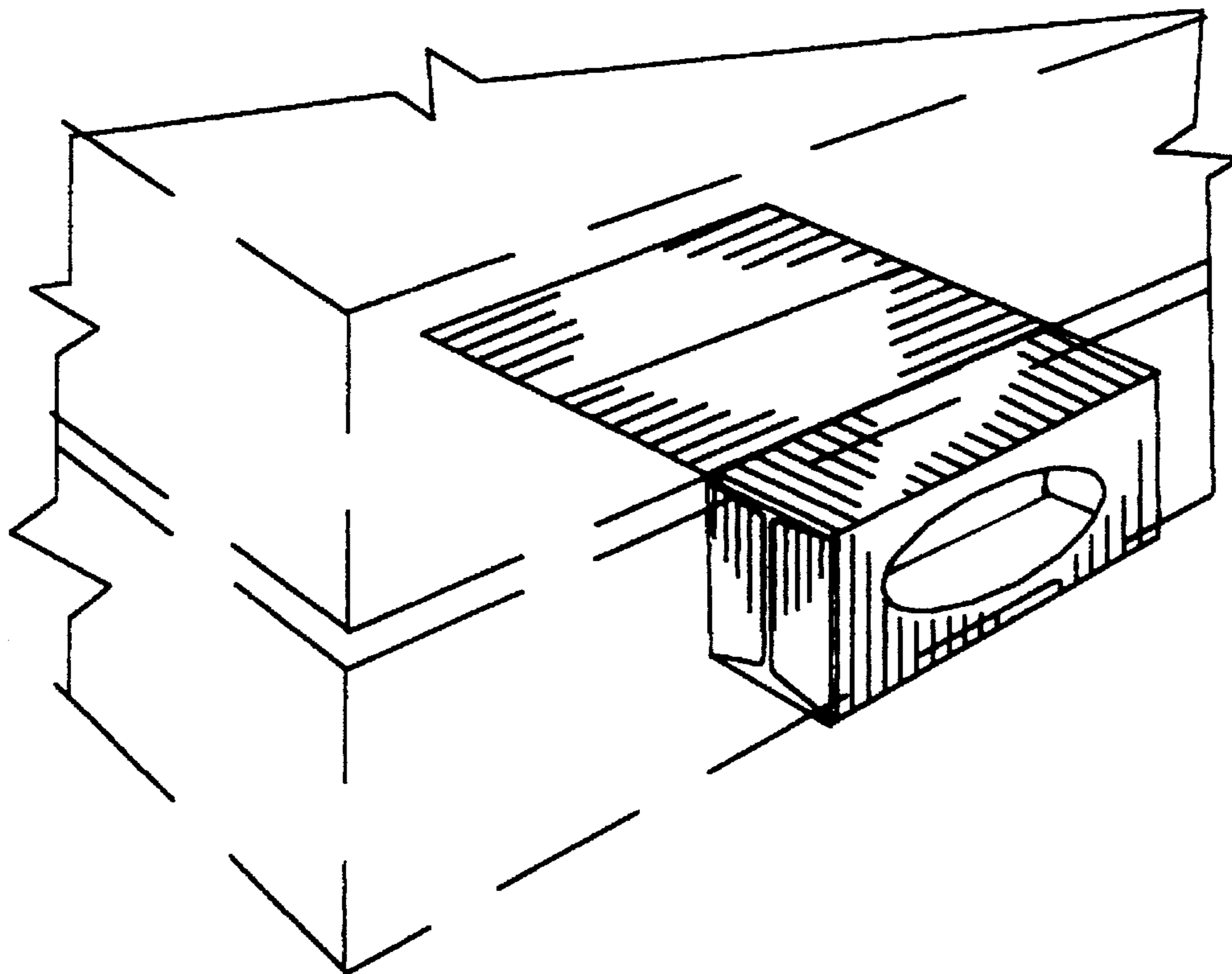
FIG. 1 is an end view of the tissue box holder with the holder folded against the tissue box showing my new design; FIG. 2 is a side view of the invention thereof; FIG. 3 is a side view opposite FIG. 2 thereof; FIG. 4 is an end view opposite FIG. 1 thereof; FIG. 5 is a plan view with the holder unfolded from the tissue box thereof; FIG. 6 is a perspective view of the invention showing my new design with a broken line view of a mattress and box spring having the tissue box holder inserted between them for illustrative purposes only and forms no part of the claimed design; and, FIG. 7 is a plan view of the tissue box holder unfolded.

[56] **References Cited**

U.S. PATENT DOCUMENTS

D. 188,917	9/1960	Guyer	D6/518	X
D. 203,869	2/1966	Poris	D6/518	X
D. 297,774	9/1988	Sussman	D9/339	X
D. 332,214	1/1993	Mulder et al.	D9/339	

1 Claim, 2 Drawing Sheets



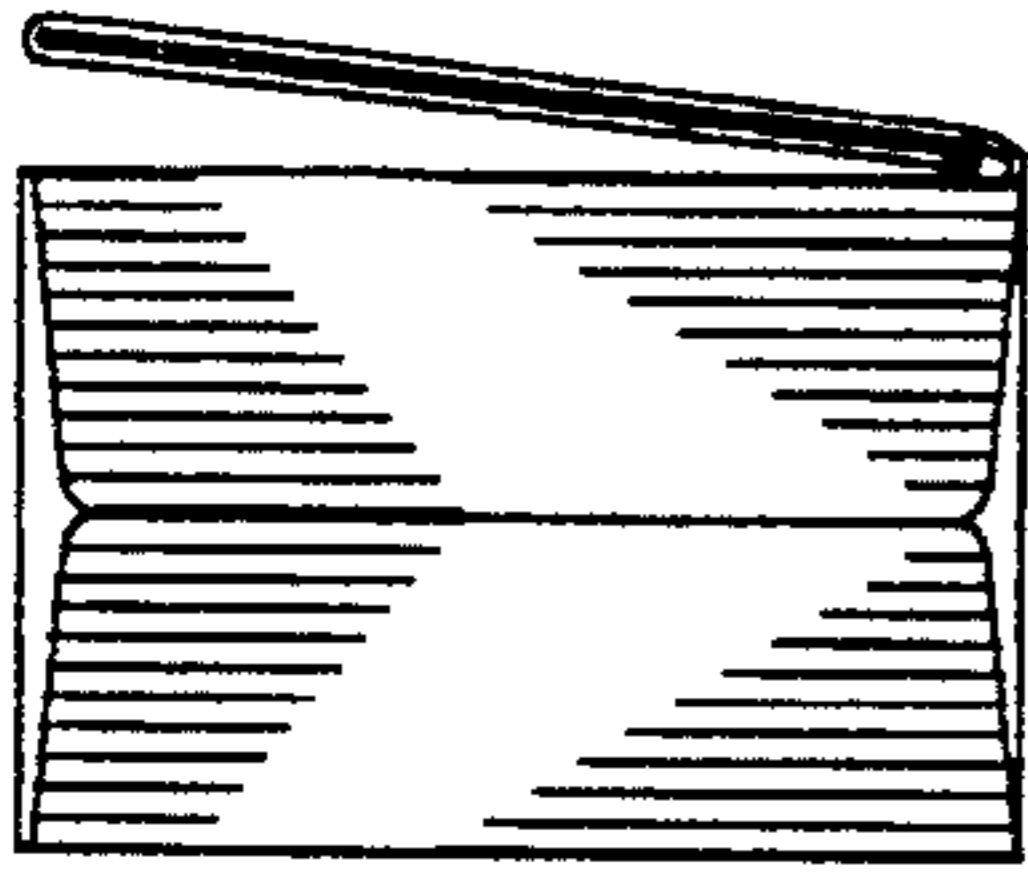


FIG. 1

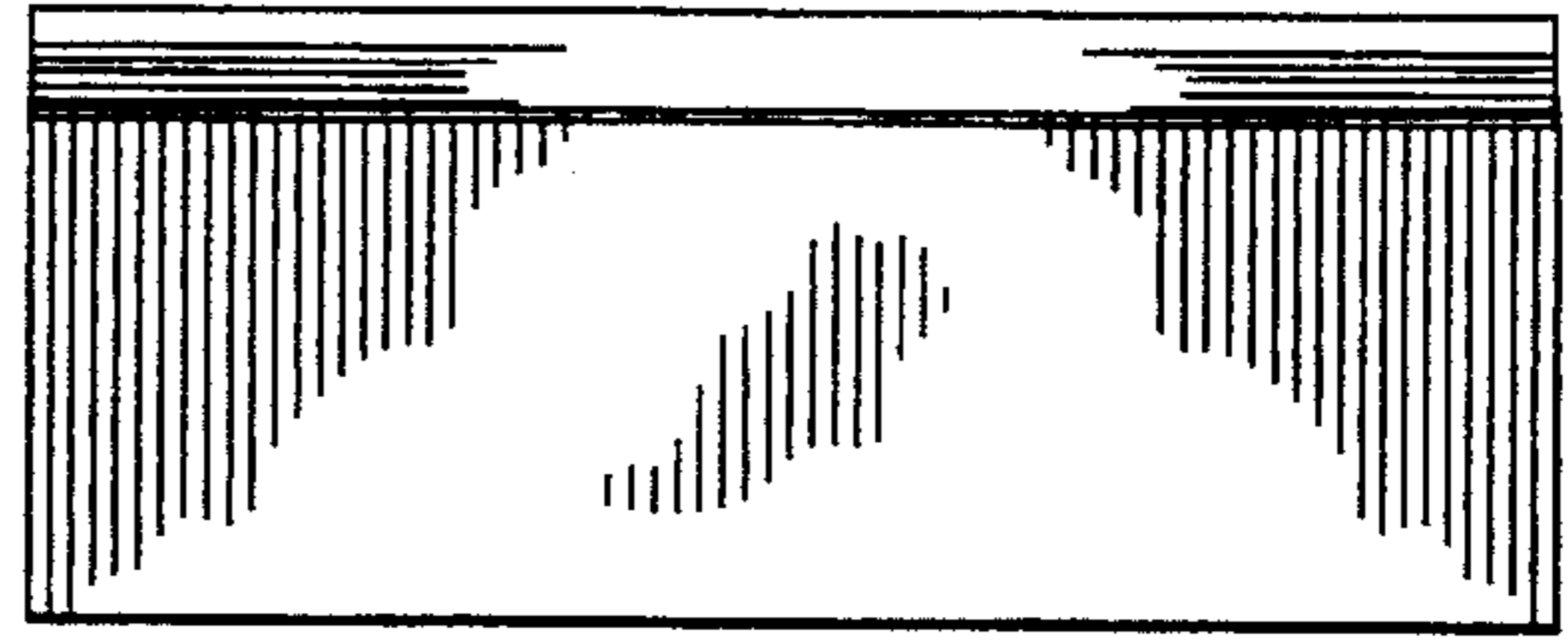


FIG. 2

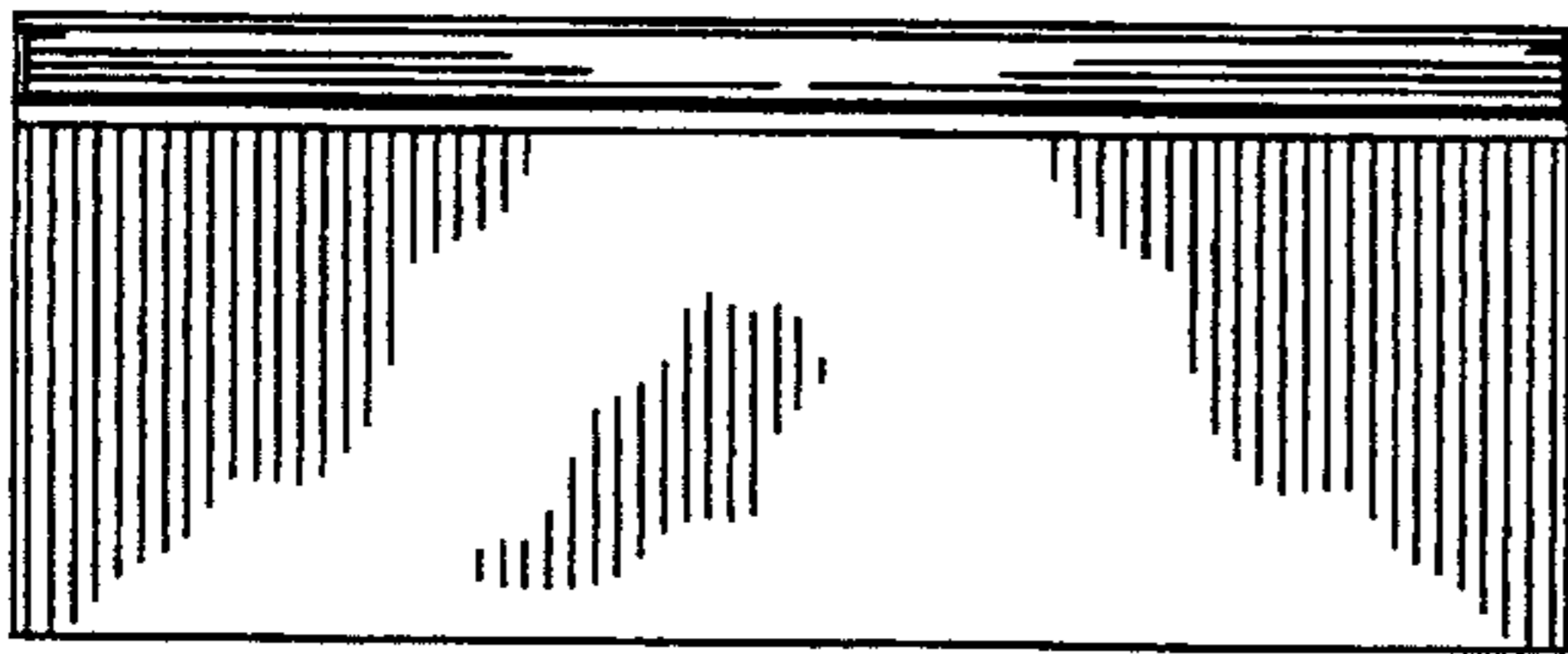


FIG. 3



FIG. 4

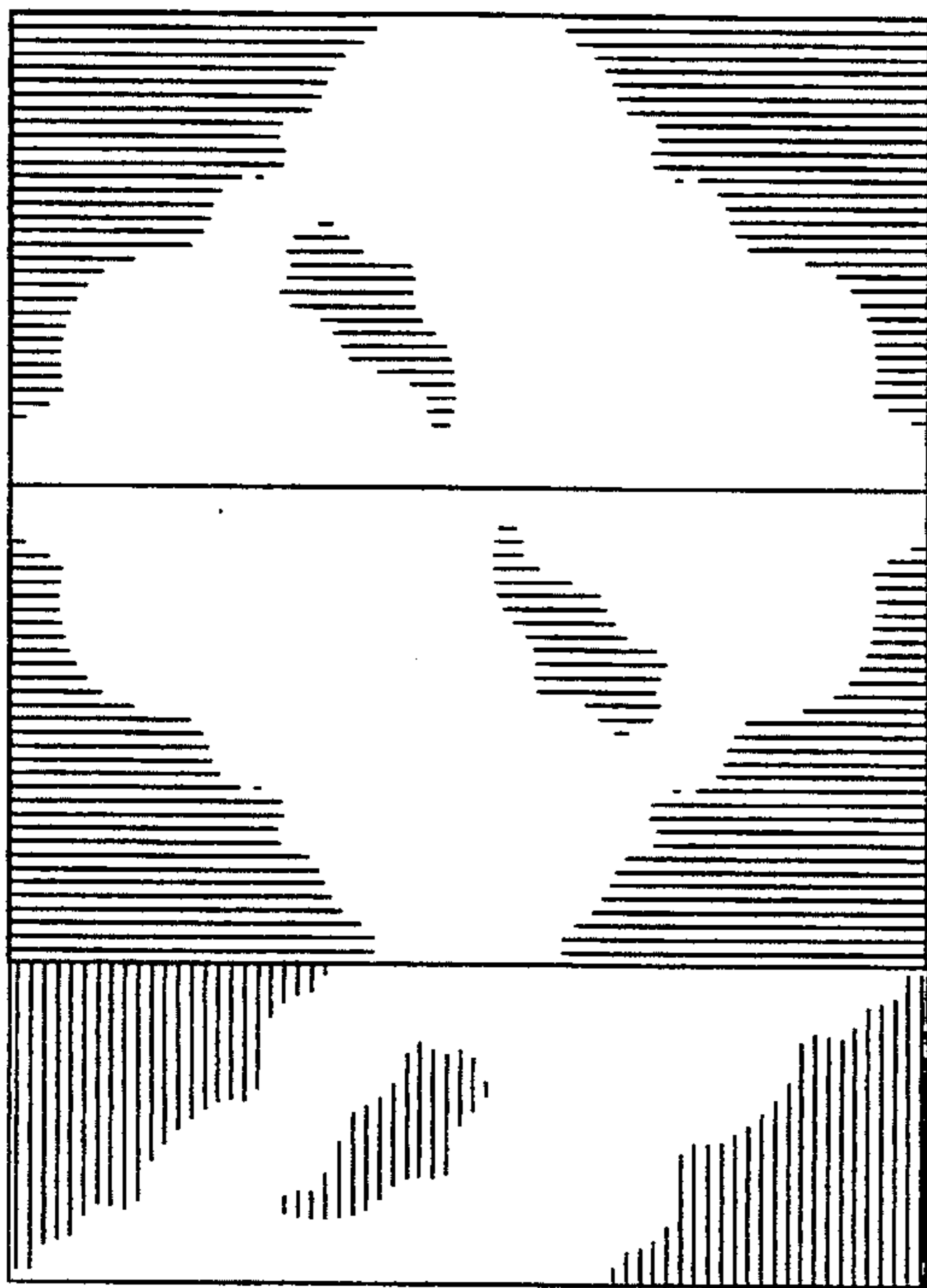


FIG. 5

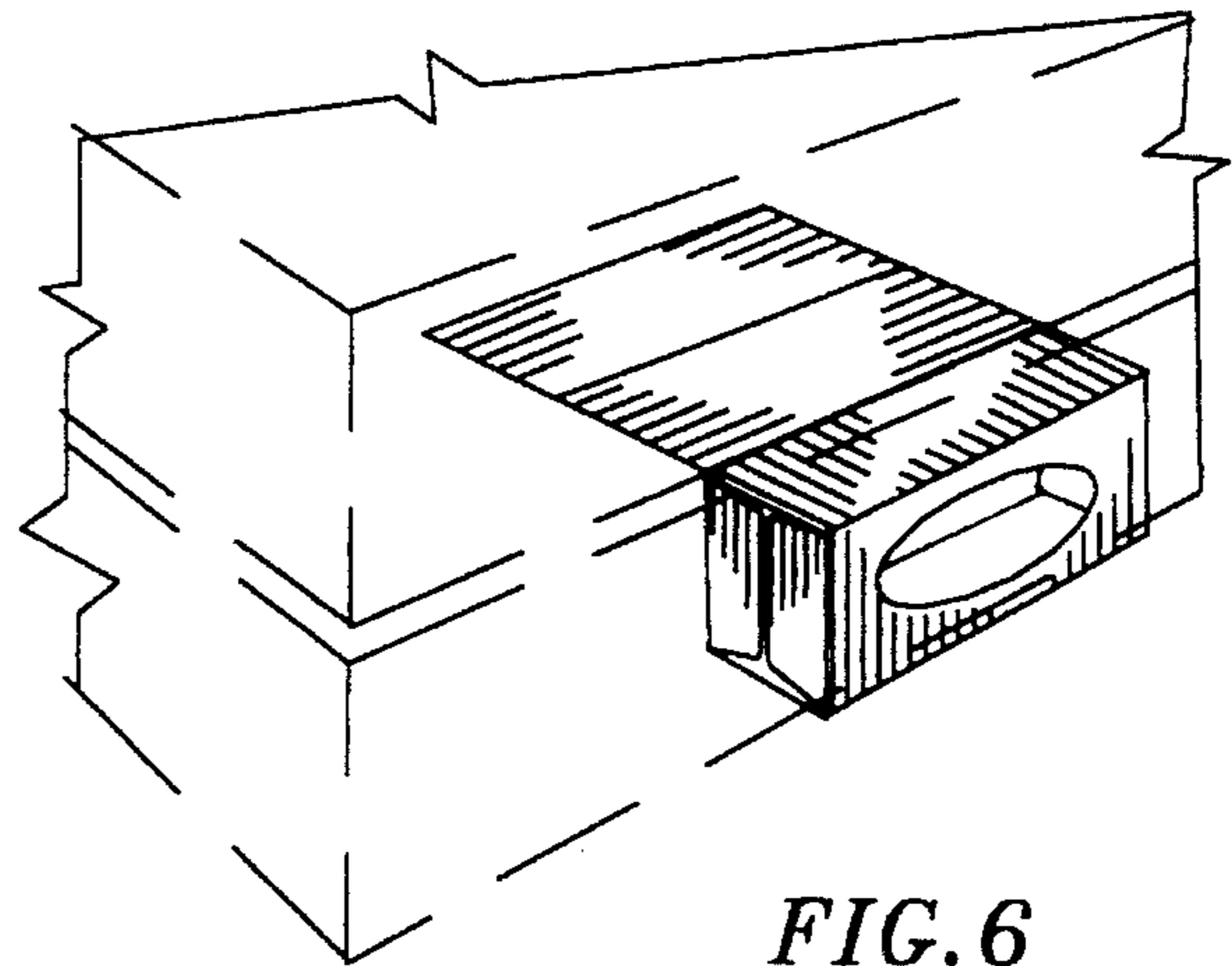


FIG. 6

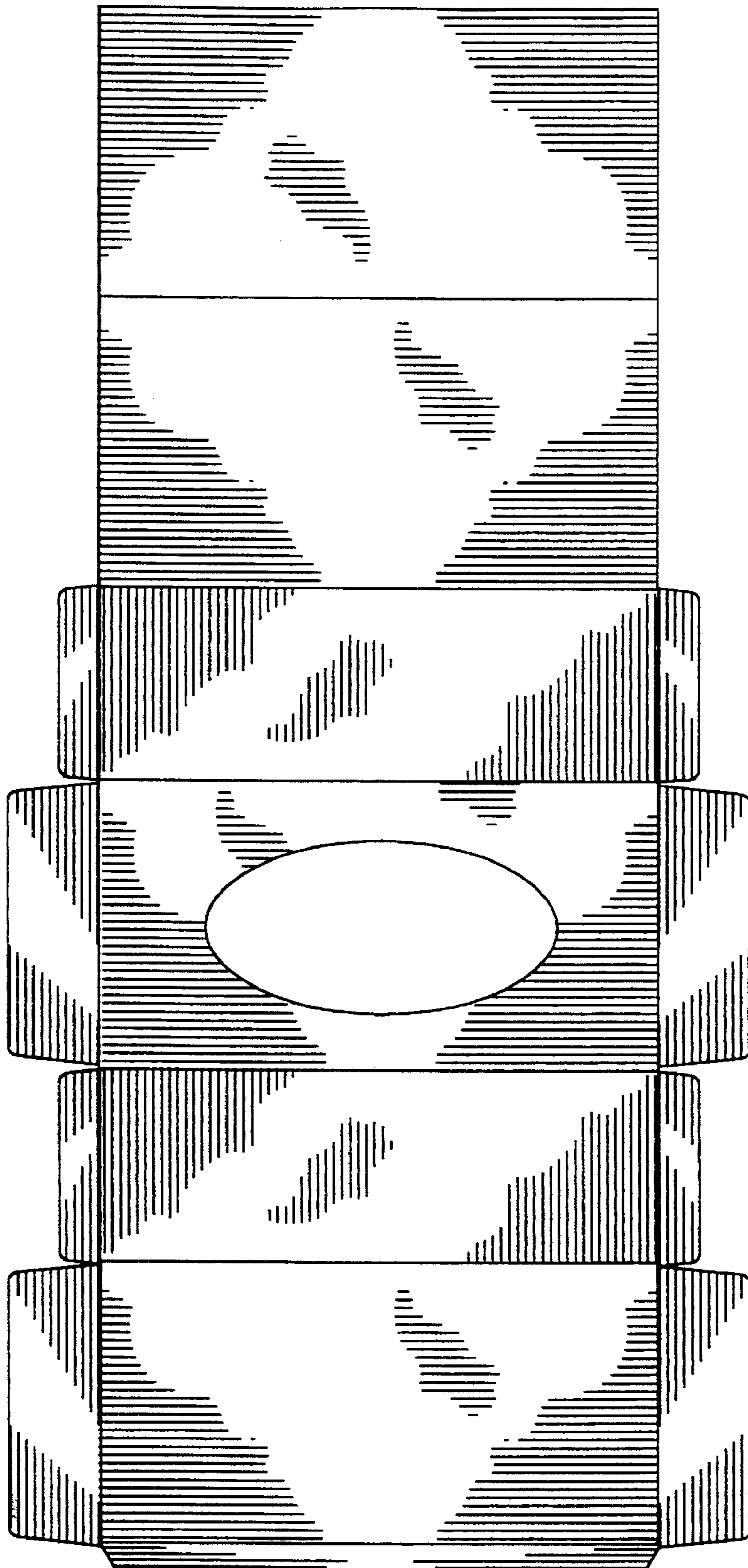


FIG. 7