



US00D374358S

# United States Patent [19] Frenette

[11] Patent Number: **Des. 374,358**

[45] Date of Patent: **\*\*Oct. 8, 1996**

[54] **BOTTLE ORGANIZER**

[75] Inventor: **Pierre Frenette**, Sherbrooke, Canada

[73] Assignee: **90126160 Québec Inc.**, Rock Forest, Canada

[\*\*] Term: **14 Years**

[21] Appl. No.: **43,486**

[22] Filed: **Sep. 5, 1995**

[30] **Foreign Application Priority Data**

Jul. 12, 1995 [CA] Canada ..... 1995-1533

[52] U.S. Cl. .... **D6/449; D25/117**

[58] Field of Search ..... D6/512, 553, 567, D6/569, 449, 455, 477-479, 487; D7/601, 602, 605, 701, 703; 211/10, 13, 60.1, 71, 74; 206/821, 427; D25/102, 106, 107, 108, 113, 114, 117; 52/311.3, 596, 604-606

[56] **References Cited**

### U.S. PATENT DOCUMENTS

D. 225,006 10/1972 Muse ..... D25/117  
D. 304,501 11/1989 VanWassehnova et al. .... D25/114

2,558,630 6/1951 Stewart ..... D25/117 X  
3,429,450 2/1969 Lambert ..... 211/60.1  
4,700,849 10/1987 Wagner ..... 211/71

*Primary Examiner*—Brian N. Vinson

*Attorney, Agent, or Firm*—Robic

[57] **CLAIM**

The ornamental design for a bottle organizer, as shown and described.

### DESCRIPTION

FIG. 1 is a front perspective view of a bottle organizer showing a new design;

FIG. 2 is a rear perspective view of a bottle organizer showing a new design;

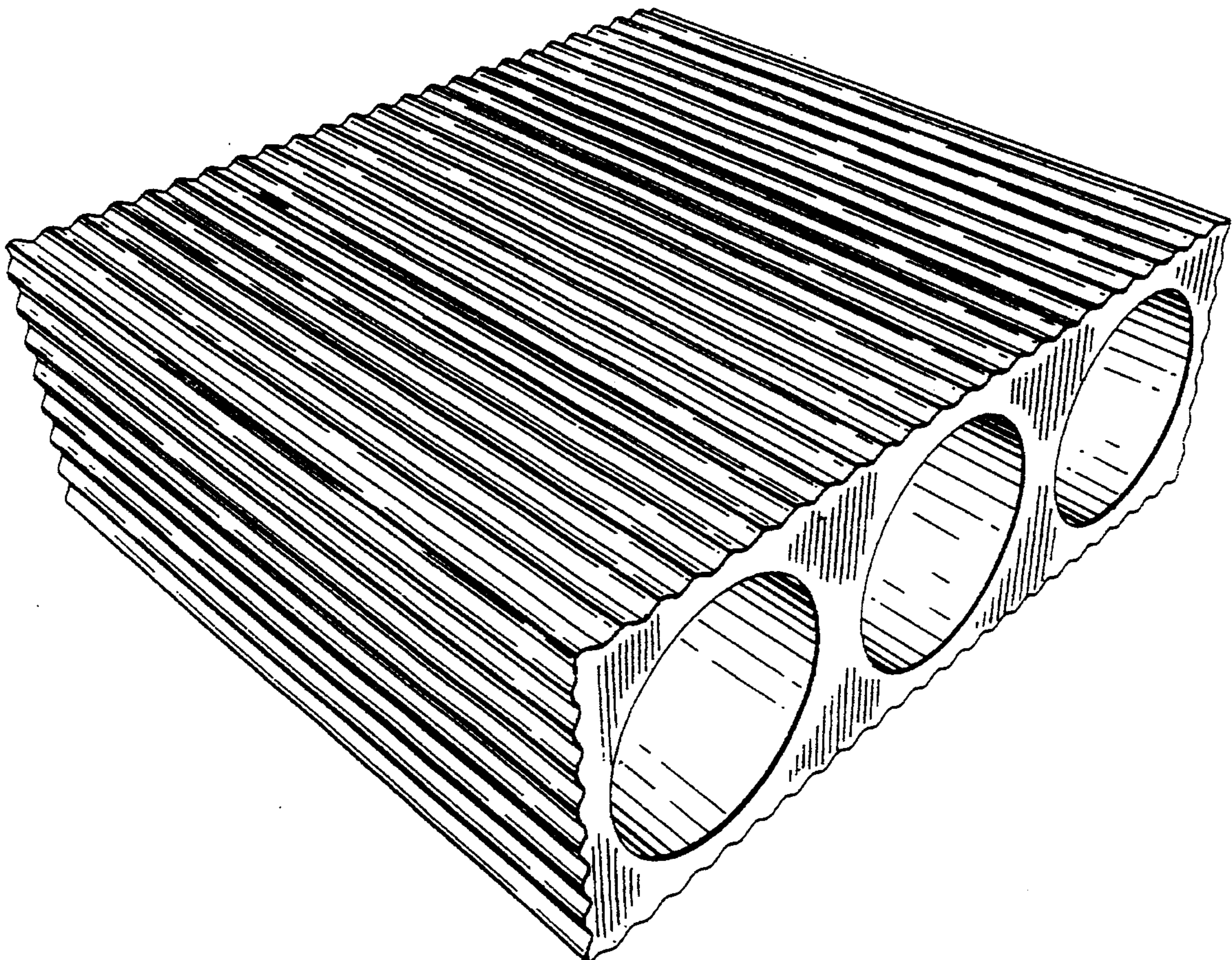
FIG. 3 is a front elevational view of the bottle organizer shown in FIGS. 1 and 2;

FIG. 4 is a rear elevational view of the bottle organizer shown in FIGS. 1 and 2;

FIG. 5 is indifferently a top or bottom view of the bottle organizer shown in FIGS. 1 and 2; and,

FIG. 6 is indifferently a left or right side elevational view of the bottle organizer shown in FIGS. 1 and 2.

**1 Claim, 4 Drawing Sheets**



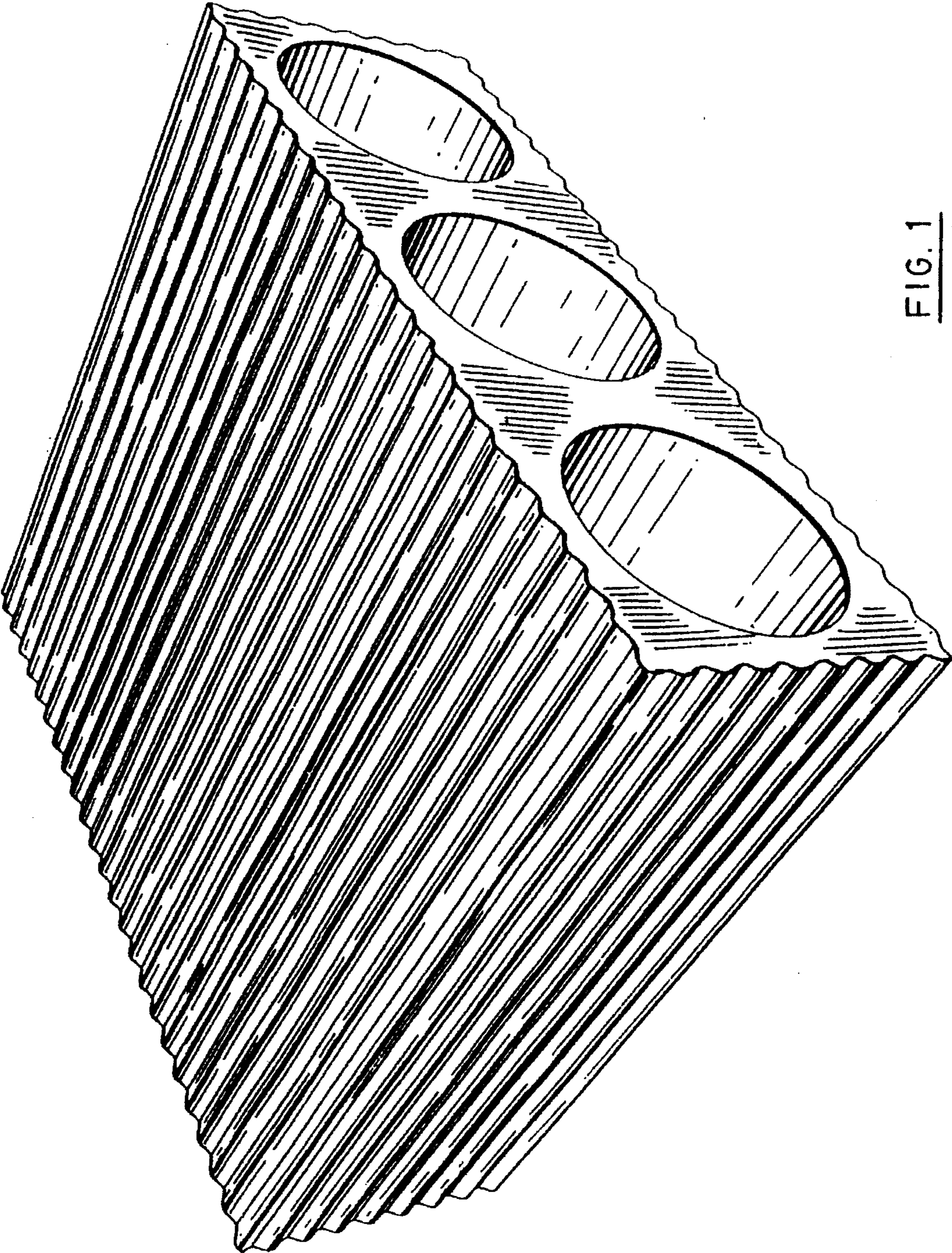


FIG. 1

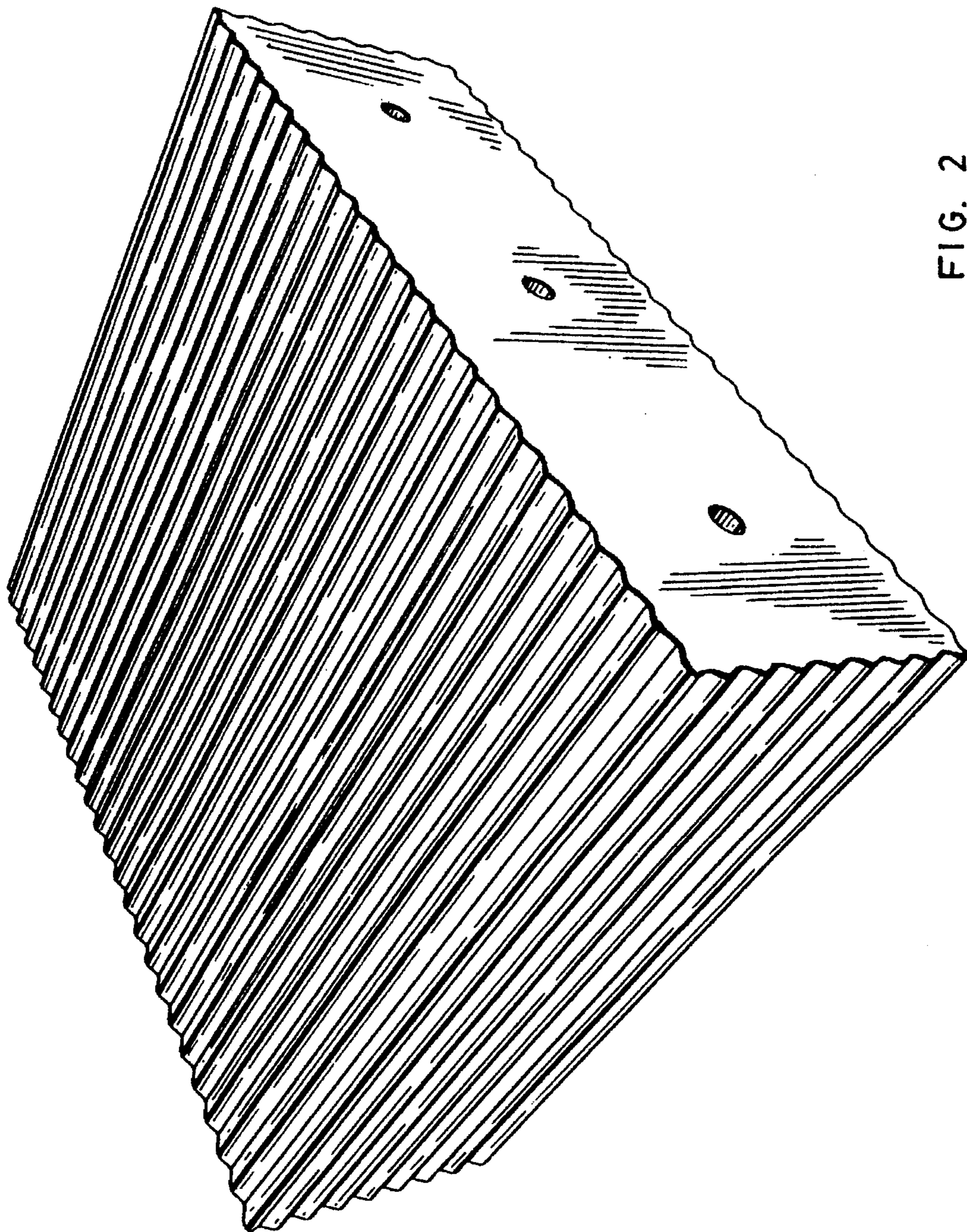


FIG. 2

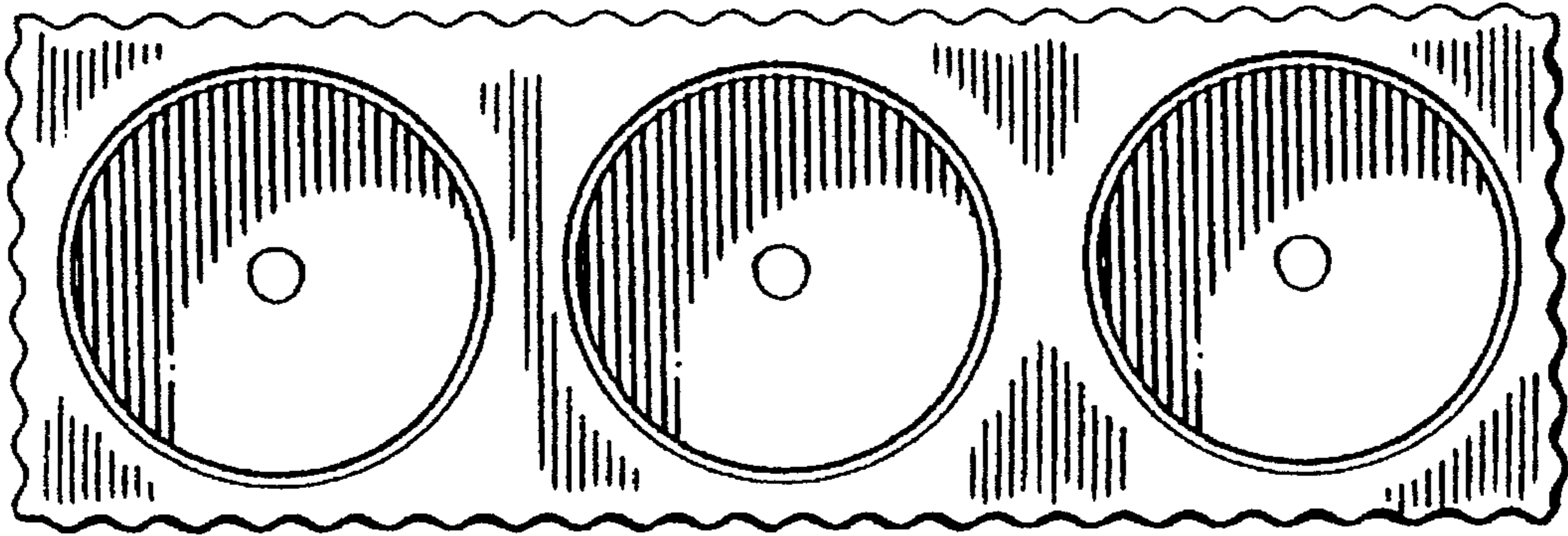


FIG. 3

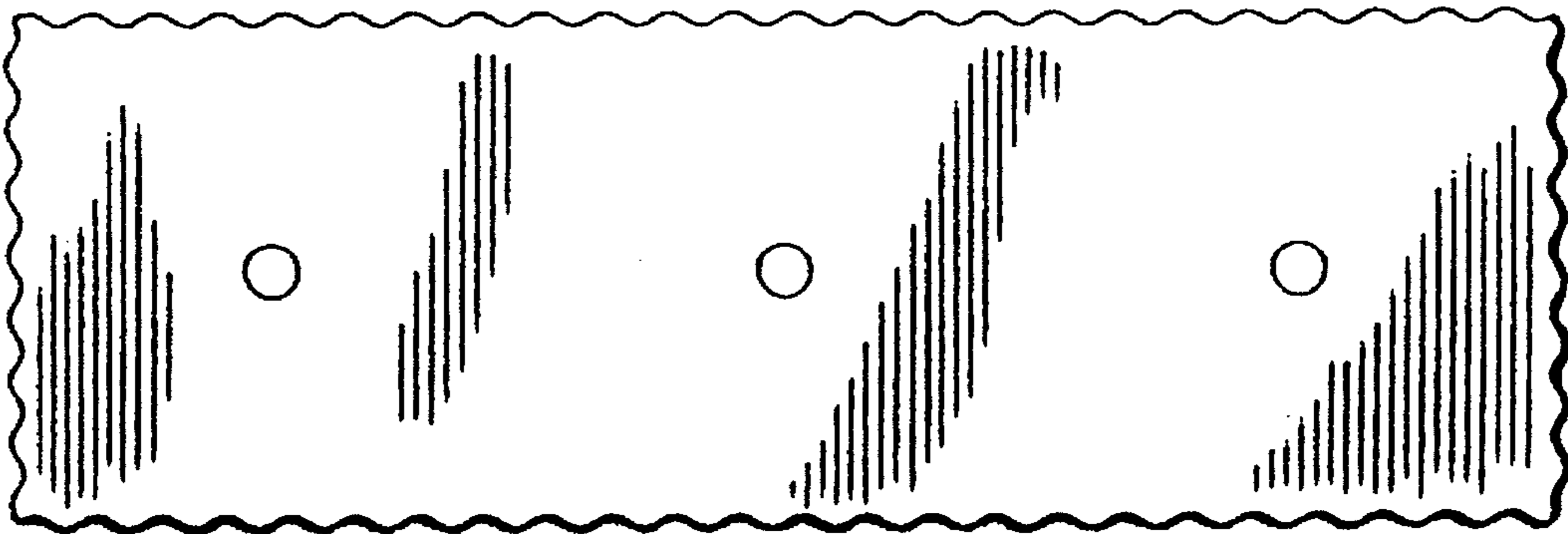


FIG. 4

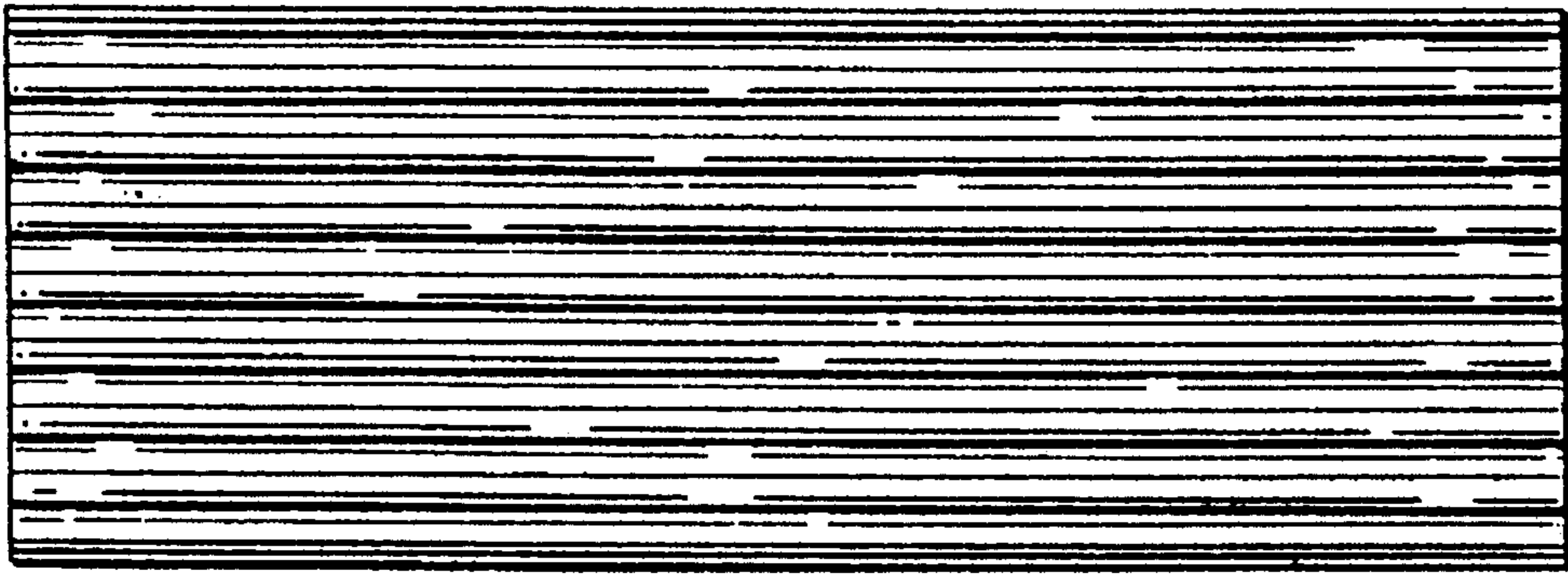


FIG. 5

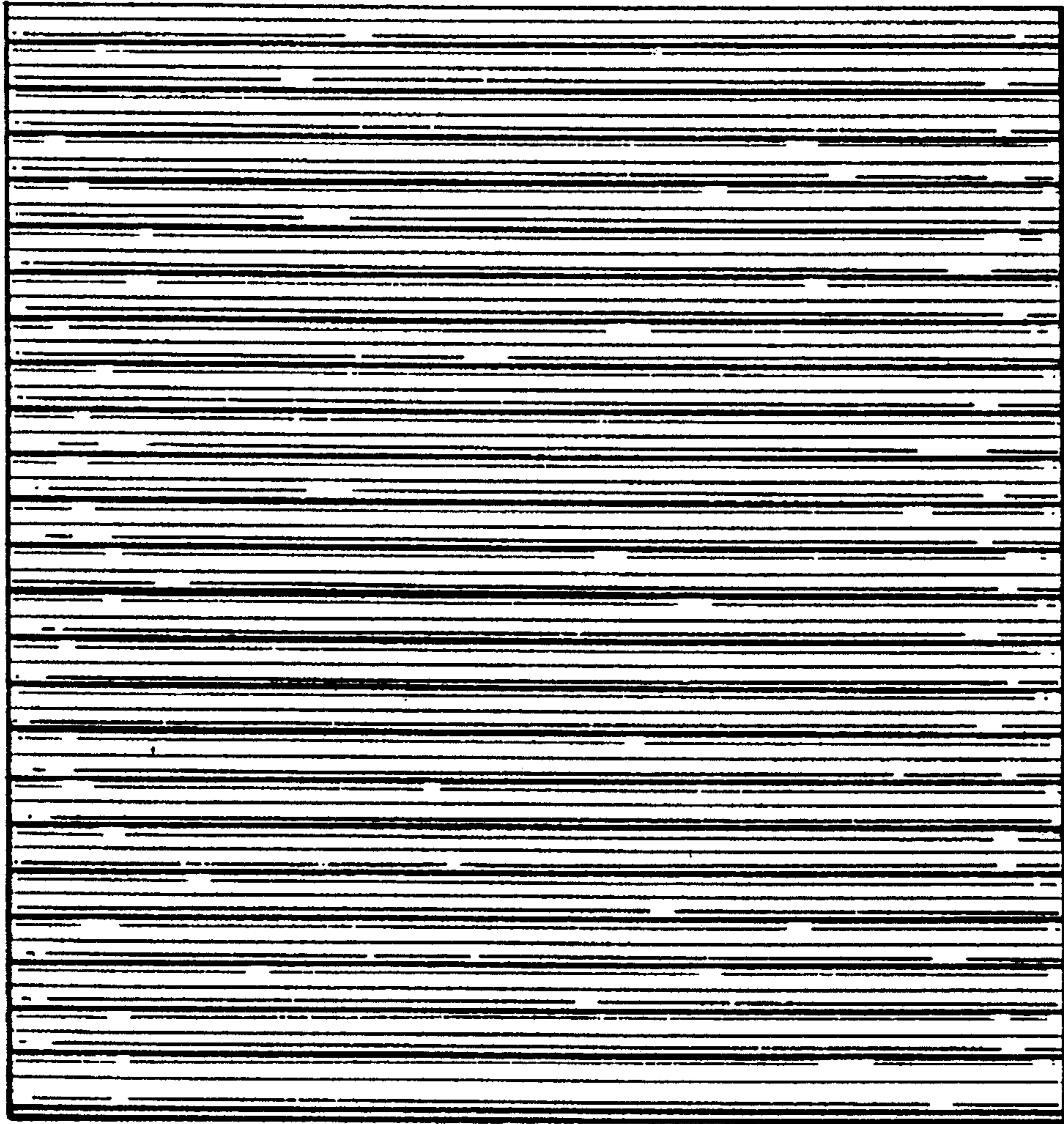


FIG. 6