



US00D374353S

United States Patent [19]
Coleman

[11] **Patent Number: Des. 374,353**
[45] **Date of Patent: **Oct. 8, 1996**

[54] **CONVERTIBLE CHILD SEAT AND SWING**

[76] **Inventor: Craig R. Coleman, 12 Fountain Court, Safety Bay, WA 6168, Australia**

[**] **Term: 14 Years**

[21] **Appl. No.: 34,327**

[22] **Filed: Feb. 1, 1995**

[52] **U.S. Cl. D6/333; D6/344**

[58] **Field of Search D6/333, 338, 339, D6/347, 390, 344; 297/174, 273, 274, 277, 281, 130**

D. 250,861 1/1979 Boudreau et al. D6/333 X
D. 255,069 5/1980 Wierdo D6/390
D. 293,046 12/1987 Riehm D6/347
4,415,200 11/1983 Bowine 297/174

Primary Examiner—Martie Thompson
Attorney, Agent, or Firm—Harold H. Dutton, Jr.; W. Charles L. Jamison; Diane F. Liebman

[57] **CLAIM**

The ornamental design for a convertible child seat and swing, as shown.

DESCRIPTION

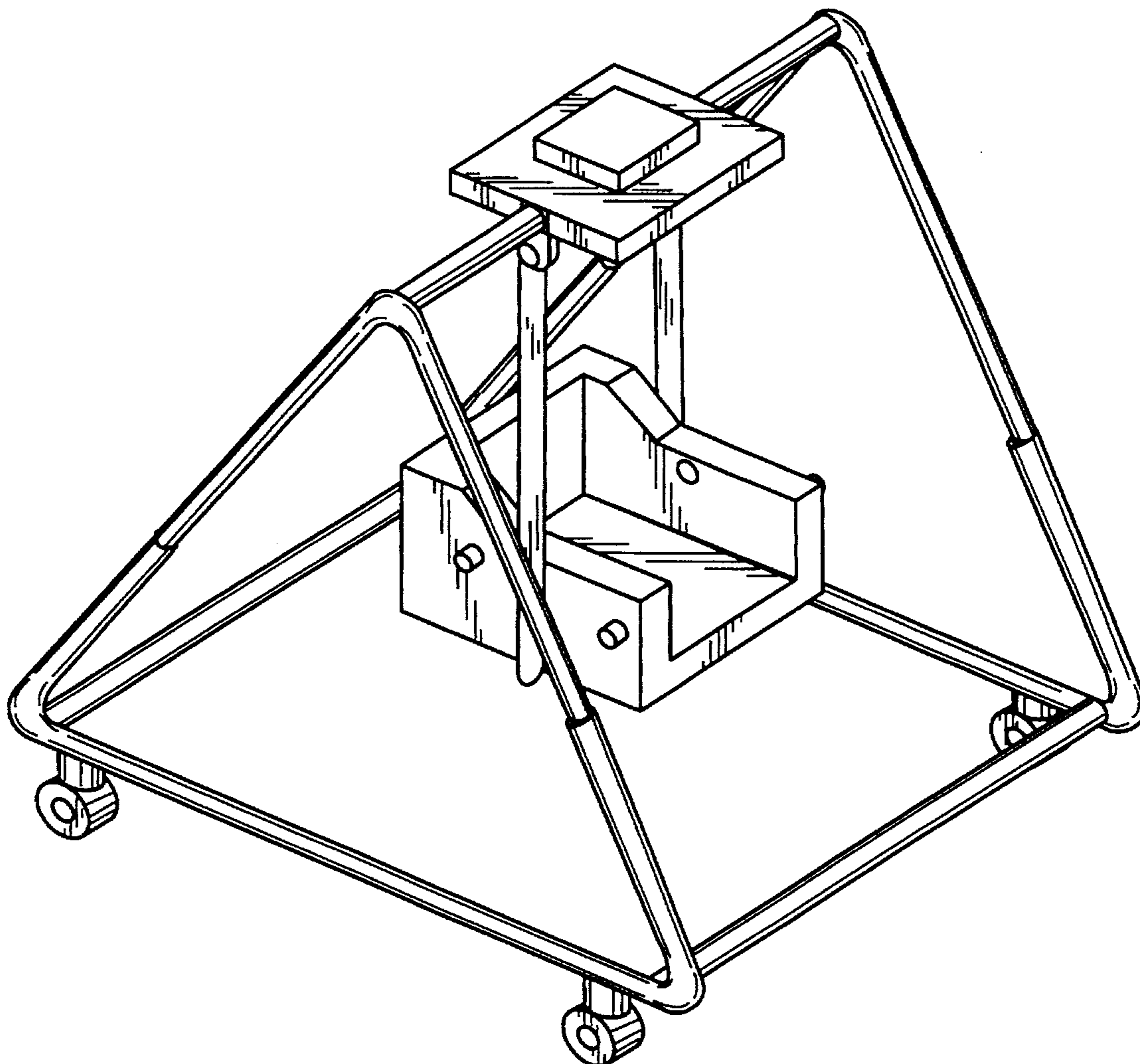
FIG. 1 is a perspective view of a convertible child seat and swing showing my new design;
FIG. 2 is a left side view thereof;
FIG. 3 is a right side view thereof;
FIG. 4 is a rear view thereof;
FIG. 5 is a top view thereof; and,
FIG. 6 is a bottom view thereof.

[56] **References Cited**

U.S. PATENT DOCUMENTS

D. 228,268 9/1973 Saint D6/338
D. 229,130 11/1973 Foster D6/333 X
D. 241,561 9/1976 Tomalinas, Jr. D6/333 X
D. 248,518 7/1978 Huff D6/333 X

1 Claim, 3 Drawing Sheets



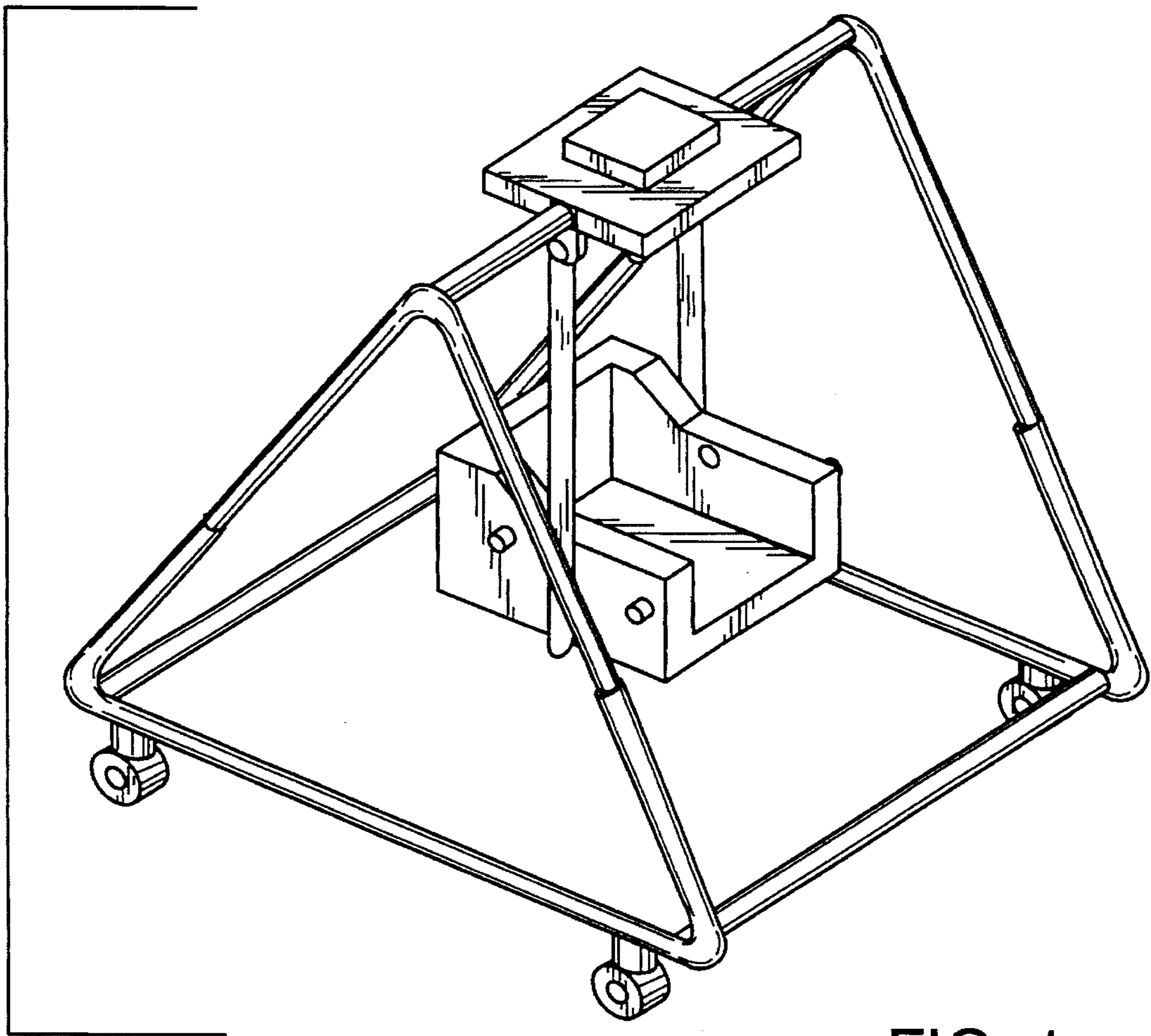


FIG. 1

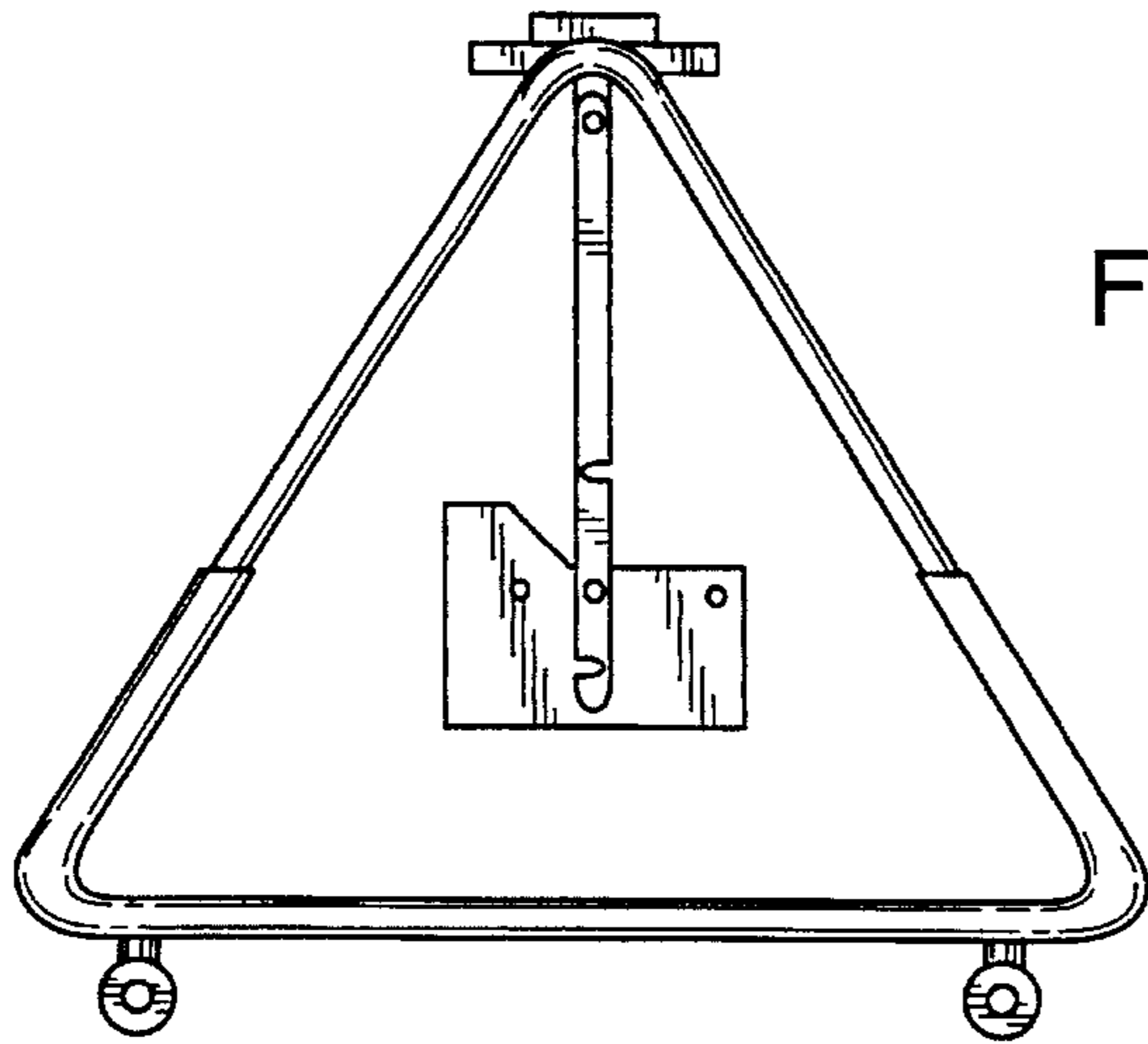


FIG. 2

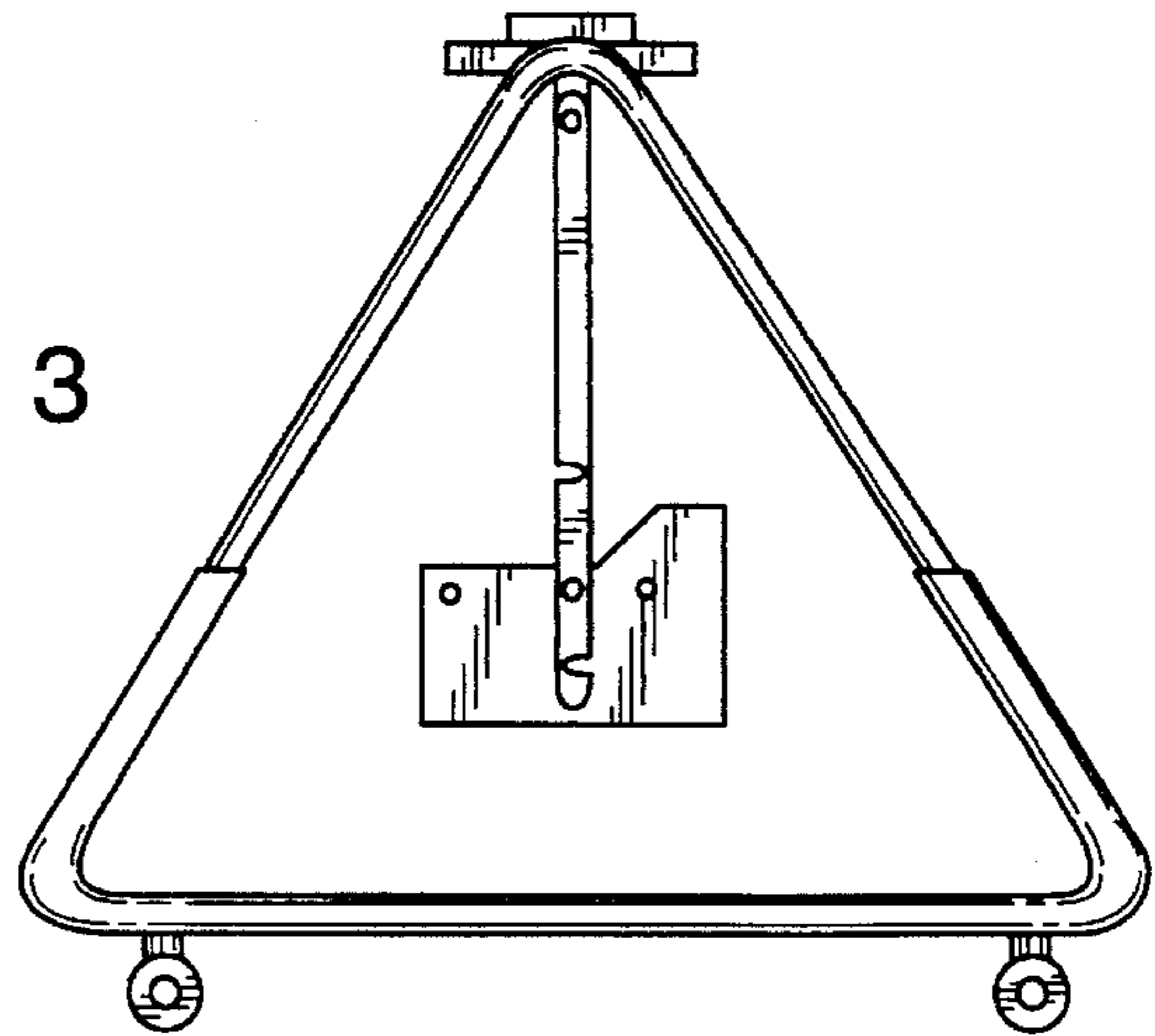


FIG. 3

FIG. 4

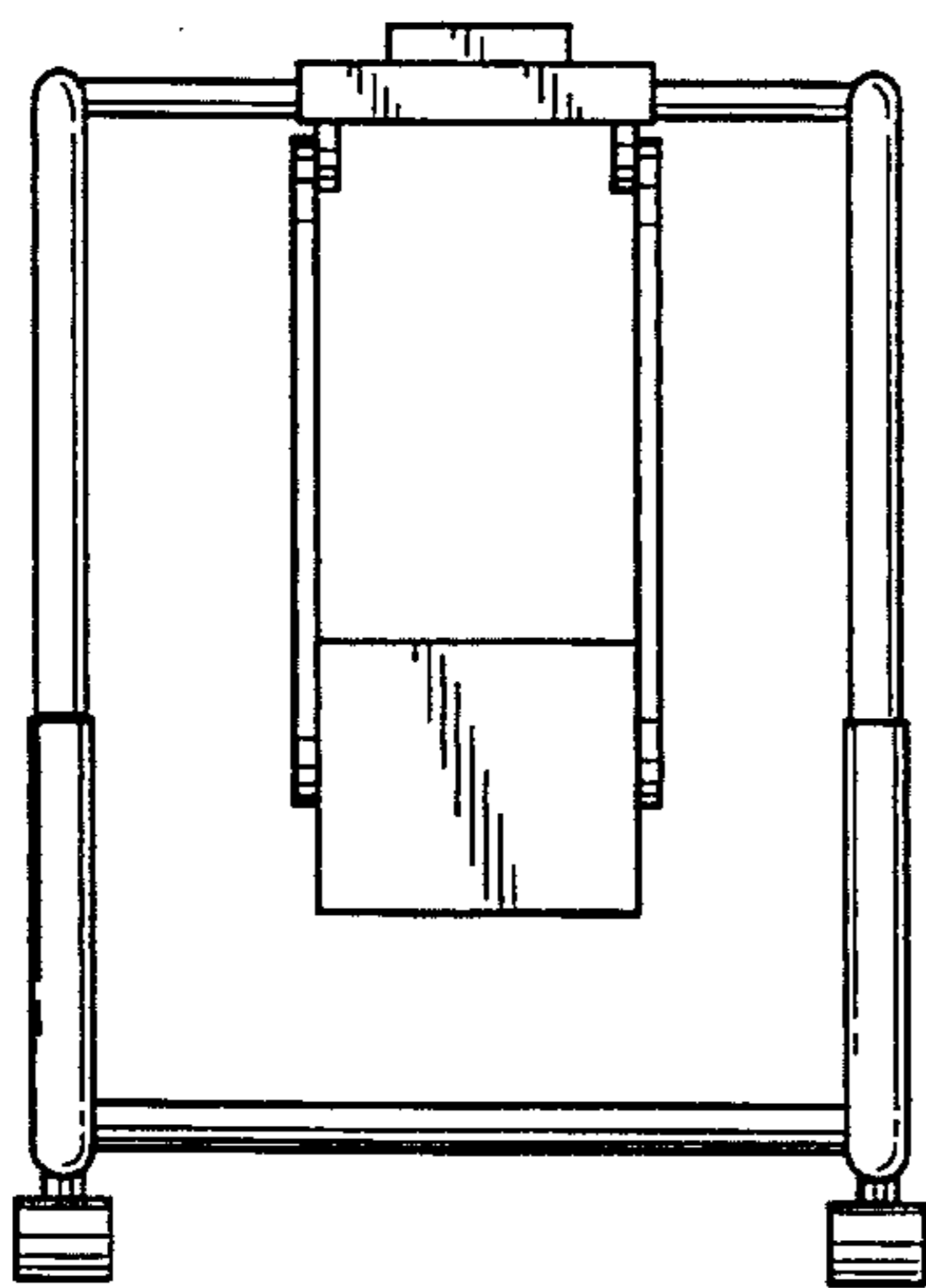


FIG. 5

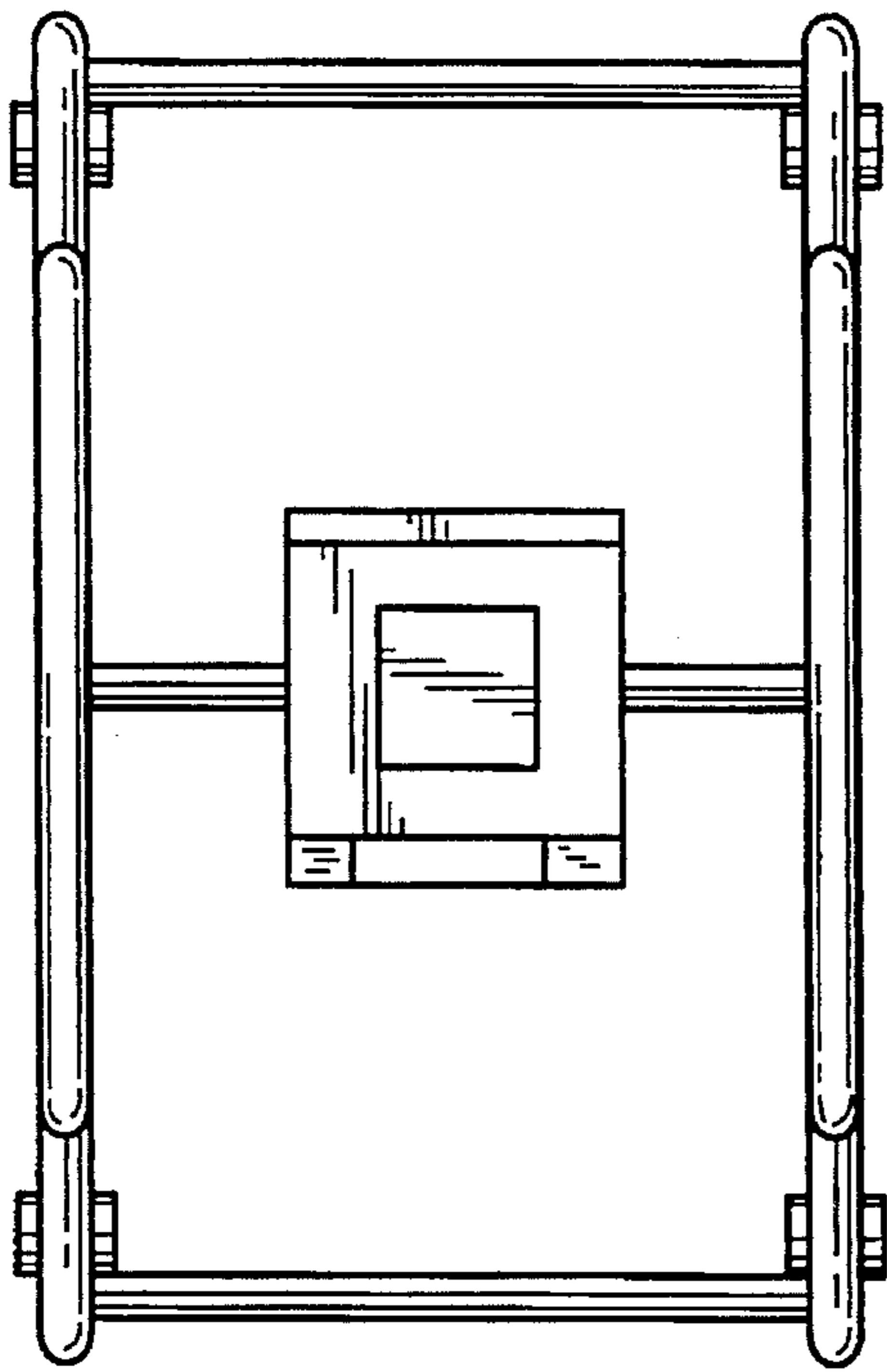


FIG. 6

