



US00D374349S

United States Patent [19]
Cziraky et al.

[11] **Patent Number: Des. 374,349**
[45] **Date of Patent: **Oct. 8, 1996**

[54] **CADDY FOR ART SUPPLIES**

[75] Inventors: **David A. Cziraky**, Bethlehem; **Harry J. Lidle, Jr.**, Macungie, both of Pa.; **Richard A. Tarozzi**, Gales Ferry, Conn.

[73] Assignee: **Binney & Smith Inc.**, Easton, Pa.

[**] Term: **14 Years**

[21] Appl. No.: **37,834**

[22] Filed: **Apr. 20, 1995**

[52] **U.S. Cl.** **D3/315**

[58] **Field of Search** D3/315, 319, 260,
D3/273, 282, 283, 295, 20, 201, 206, 905;
D19/35, 36; 206/1.7

[56] **References Cited**

U.S. PATENT DOCUMENTS

D. 90,769	9/1933	Kamen	D19/36
D. 153,339	4/1949	Deckinger	D19/35
173,269	2/1876	Chinnock .	
193,464	7/1877	Shepherd	434/413
D. 236,556	8/1975	Di Paola et al.	D3/299
D. 251,213	2/1979	Rodin et al.	D3/274
D. 255,251	6/1980	Hansen et al.	D19/88
D. 257,994	1/1981	Kroll	D21/59
D. 261,903	11/1981	Mulder	D19/88
274,629	3/1883	Merrill .	
D. 279,489	7/1985	Mak	D21/59
D. 282,752	2/1986	Olivetti	D19/26
D. 282,792	3/1986	Zinbarg	D6/406
D. 293,739	1/1988	Nadeau	D3/282
D. 293,740	1/1988	Nadeau	D3/282
D. 313,819	1/1991	Craft, Jr. et al.	D19/88
D. 326,279	5/1992	Logan	D19/36
D. 330,045	10/1992	Dietterich et al.	D19/36
D. 332,466	1/1993	Logan	D19/36
D. 335,896	5/1993	Evenson	D19/35 X
D. 338,496	8/1993	Tarozzi	D19/85
D. 340,803	11/1993	Bradford et al.	D3/283
D. 341,714	11/1993	Ancona et al.	D3/20
D. 351,504	10/1994	Tarozzi	D3/276
D. 351,727	10/1994	Tarozzi	D3/276

(List continued on next page.)

FOREIGN PATENT DOCUMENTS

27094 12/1954 Finland .

OTHER PUBLICATIONS

Gift & Tableware Reporter, Sep. 7, 1964, p. 25, see "Clip Caddy" with drawer, lower left.

Crayola® Draw 'N' Do Desk—Color Photocopy of Binney & Smith Inc. 1984 Catalog, one page, p. 26.

Crayola® Deluxe Art Kit—Color Photocopy of Binney & Smith Inc. 1984 Catalog, one page, p. 30.

Crayola® Coloring Tote—Color Photocopy of Binney & Smith Inc. 1984 Catalog, one page, p. 34.

Crayola® Drawing Portfolio—Color Photocopy of Binney & Smith Inc. 1993 Catalog, one page.

Sesame Street My First Easel—Assembly Instructions, Avalon, Division of Craft House Corporation, Toledo, Ohio ©1984.

Primary Examiner—Doris V. Coles

Assistant Examiner—Catherine R. Oliver

Attorney, Agent, or Firm—Leydig, Voit & Mayer, Ltd.

[57] **CLAIM**

The ornamental design for a caddy for art supplies, as shown and described.

DESCRIPTION

FIG. 1 is a top, left, and front perspective view of a caddy for art supplies showing my new design;

FIG. 2 is a top plan view thereof;

FIG. 3 is a left side elevational view thereof;

FIG. 4 is a right side elevational view thereof;

FIG. 5 is a bottom plan view thereof;

FIG. 6 is a front elevational view thereof;

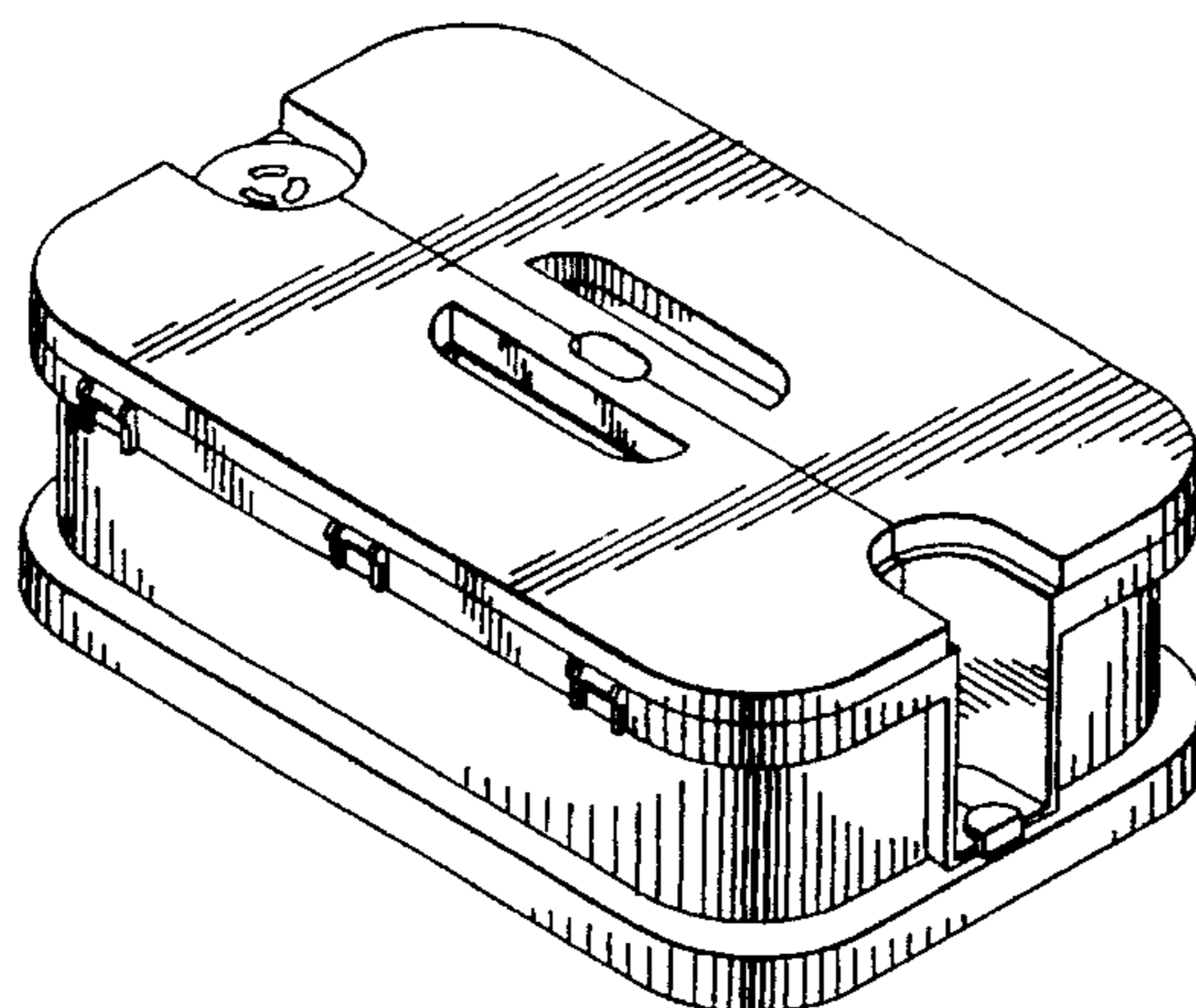
FIG. 7 is a rear elevational view thereof;

FIG. 8 is a perspective view similar to FIG. 1, with the upper lids shown in open position;

FIG. 9 is a perspective view similar to FIG. 8 but showing the top trays pivoted in an open position; and,

FIG. 10 is a top plan view of the position illustrated in FIG. 9.

1 Claim, 4 Drawing Sheets



U.S. PATENT DOCUMENTS					
		3,876,271	4/1975	Skirlock	312/310
		4,061,224	12/1977	Fuhri	206/1.7
		4,294,348	10/1981	Hastings	206/1.7
D. 356,823	3/1995	4,318,471	3/1982	Hutton	206/214
		4,480,744	11/1984	Blackmon	206/1.7
D. 358,708	5/1995	4,561,705	12/1985	Schafer	312/244
		4,971,284	11/1990	Curry	248/460
363,894	5/1987	5,163,845	11/1992	Blassingame	434/408
		5,190,151	3/1993	Dietterich	206/214
791,506	6/1905	5,248,030	9/1993	Tarozzi	206/1.7
		5,284,445	2/1994	Dietterich et al.	434/419
1,193,181	8/1916	5,388,689	2/1995	Kroop et al.	206/214
		5,393,030	2/1995	Tarozzi	248/460
1,239,023	9/1917				
1,559,665	11/1925				
1,625,647	4/1927				
2,676,777	4/1954				
3,334,714	8/1967				
3,352,616	11/1967				
3,768,177	10/1973				

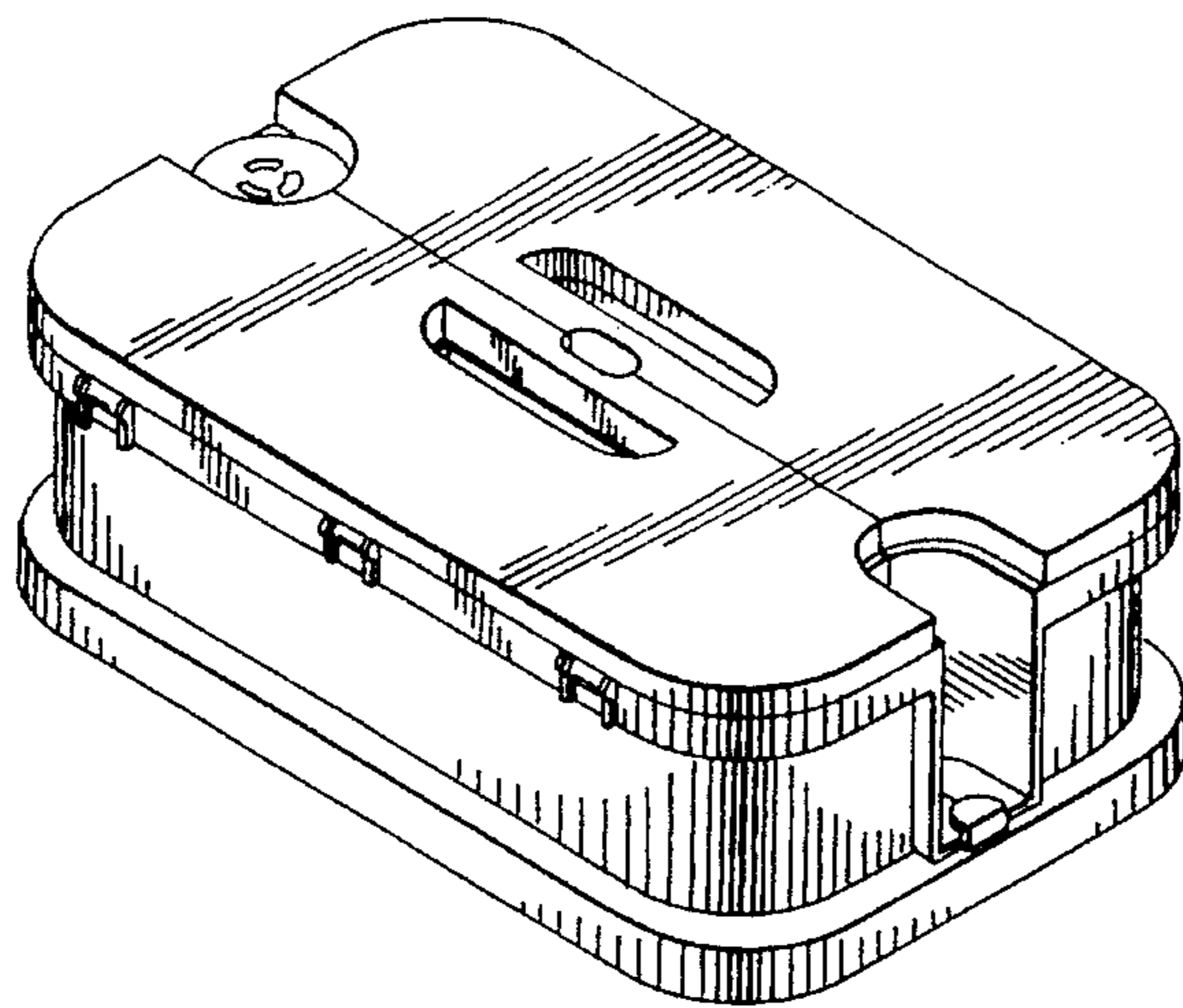


FIG. 1

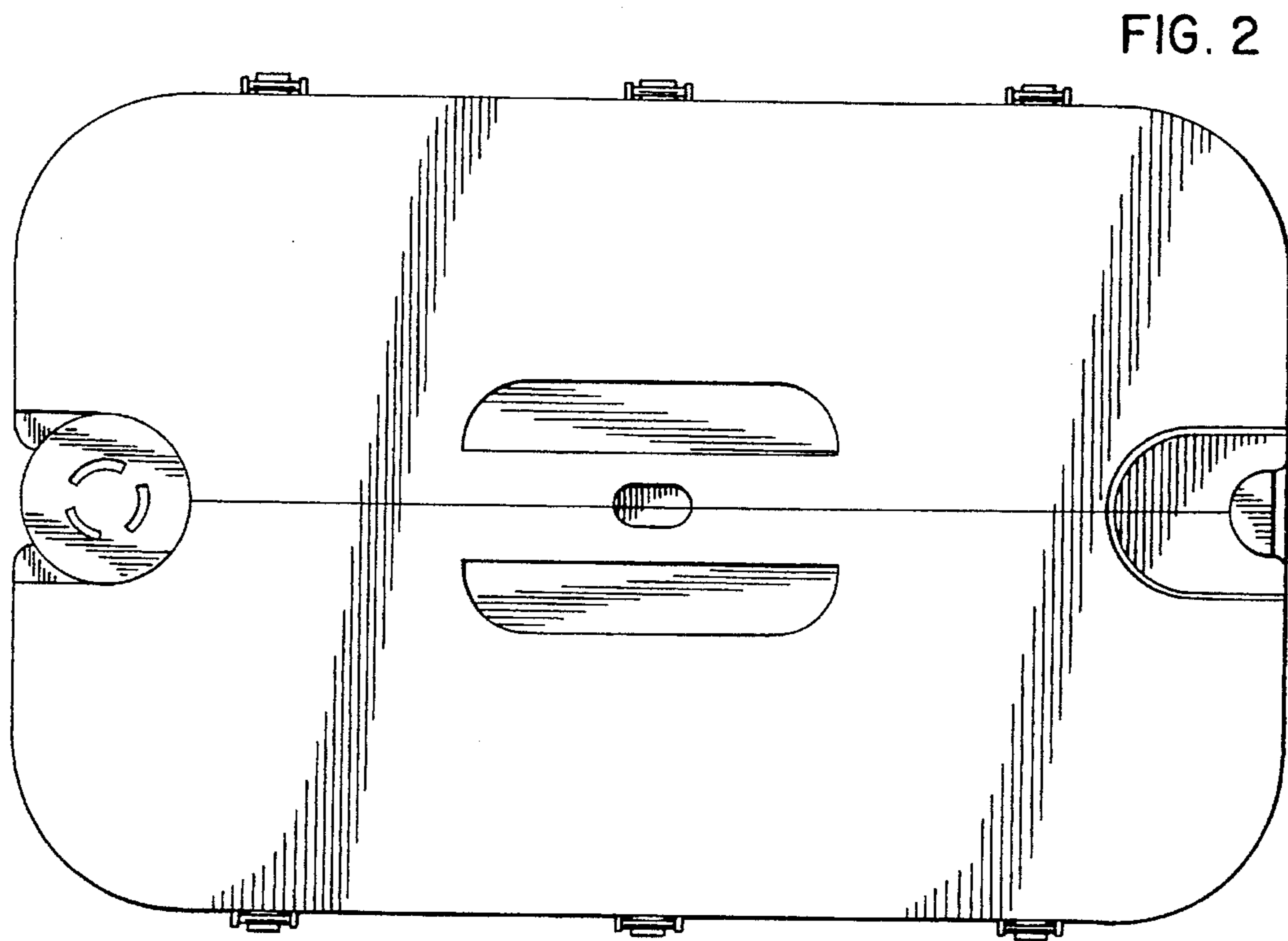


FIG. 2

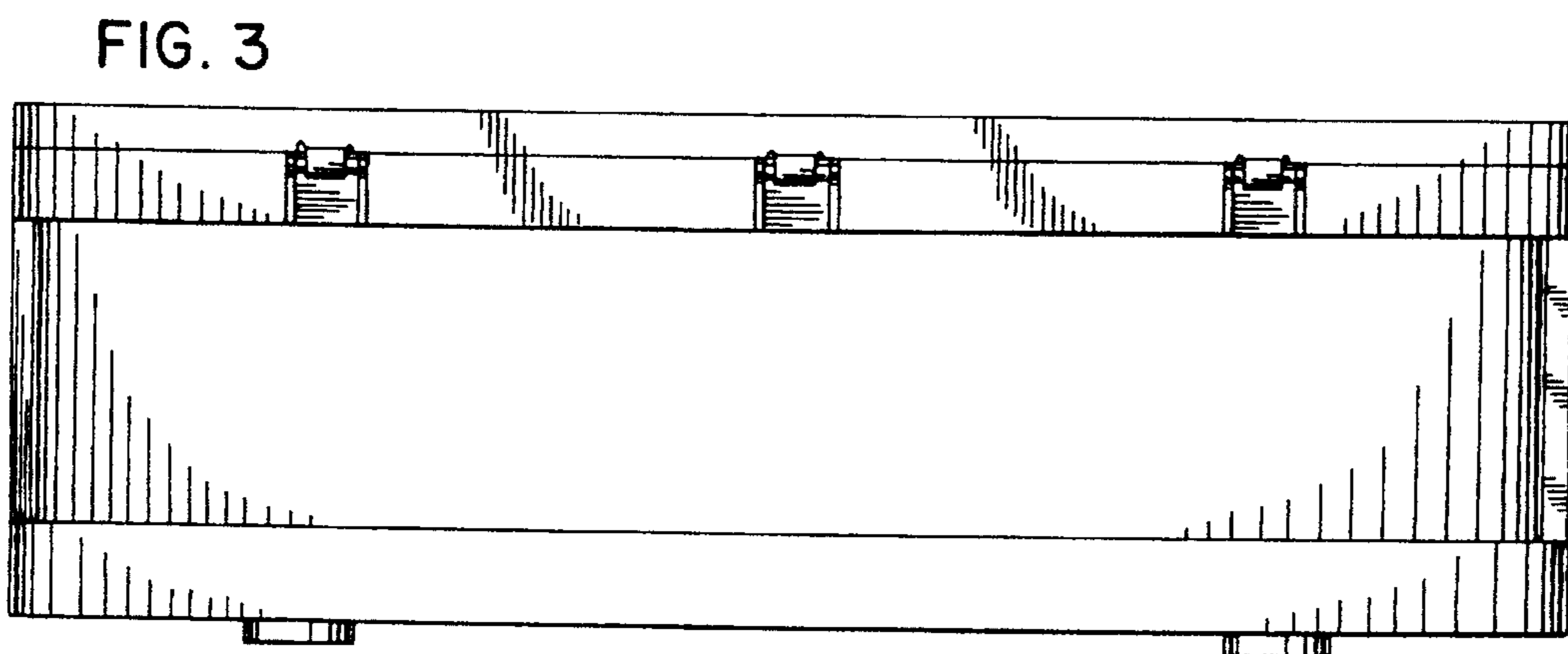


FIG. 3

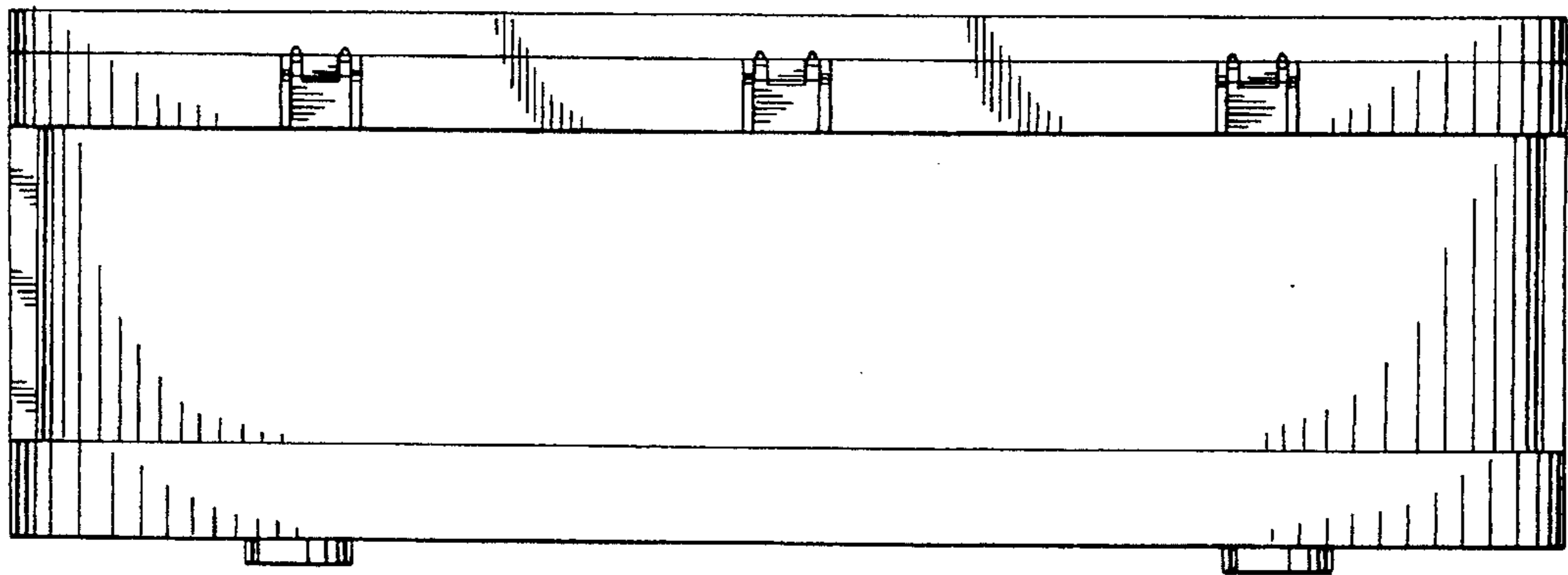


FIG. 4

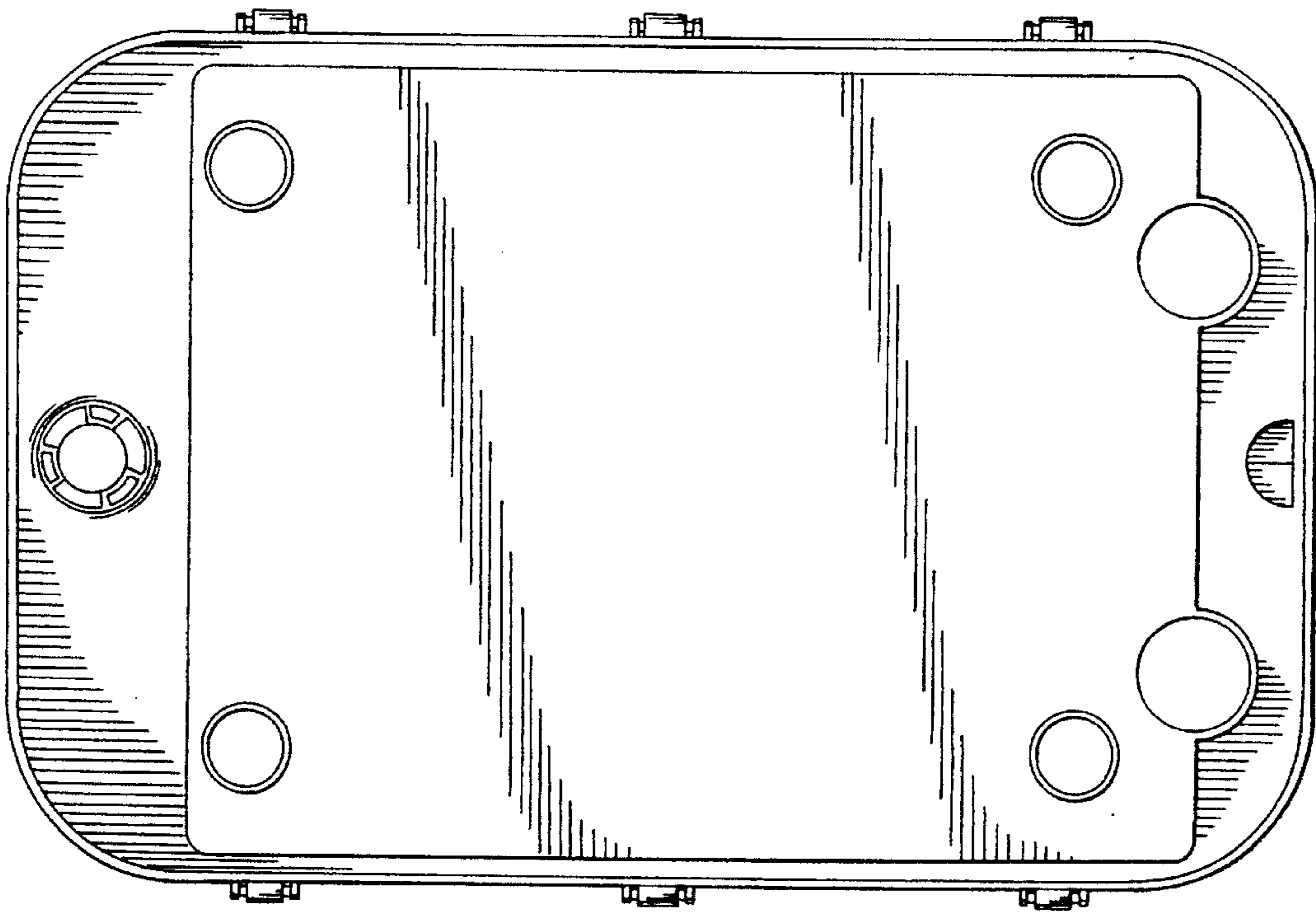


FIG. 5

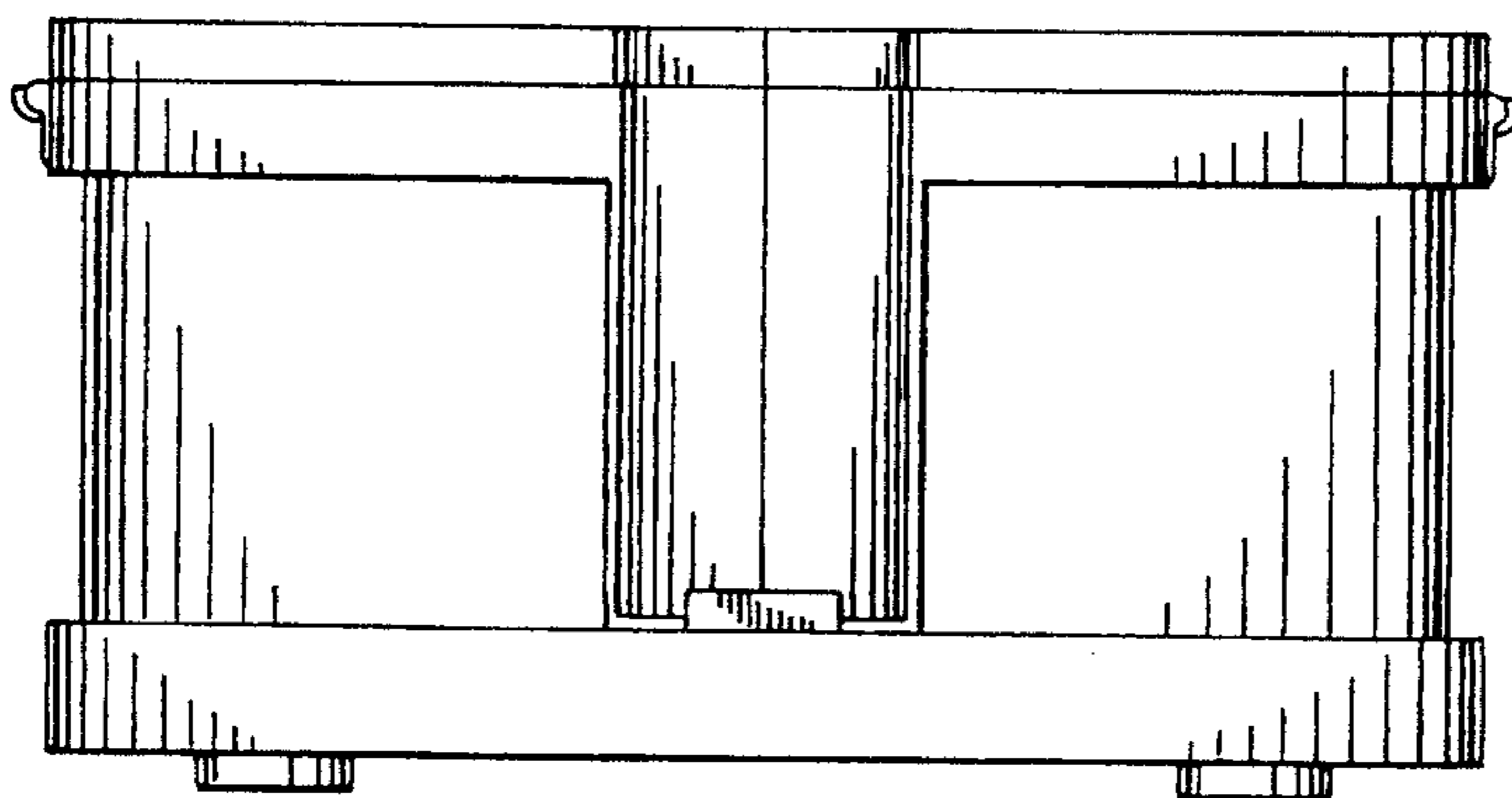


FIG. 6

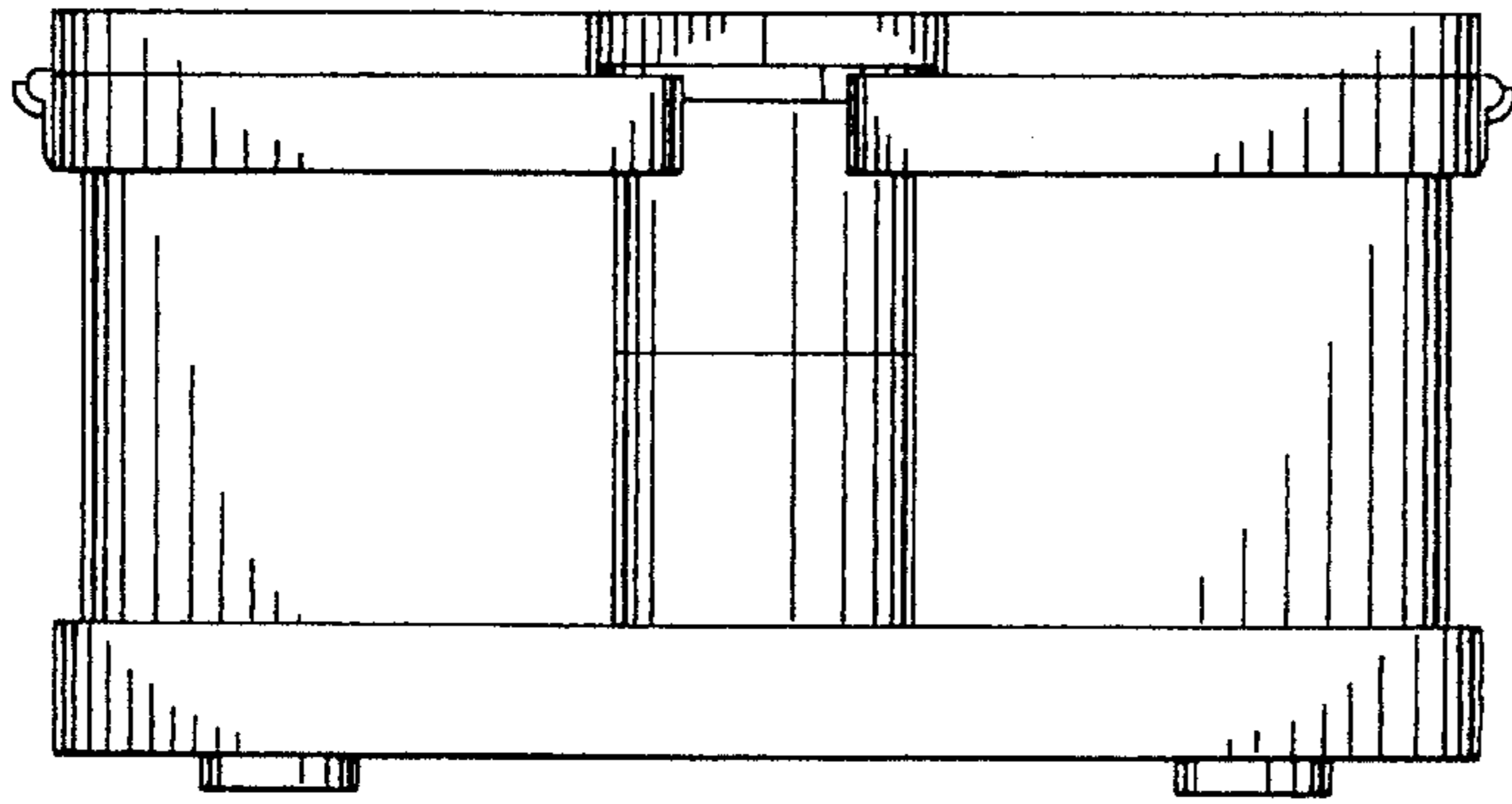


FIG. 7

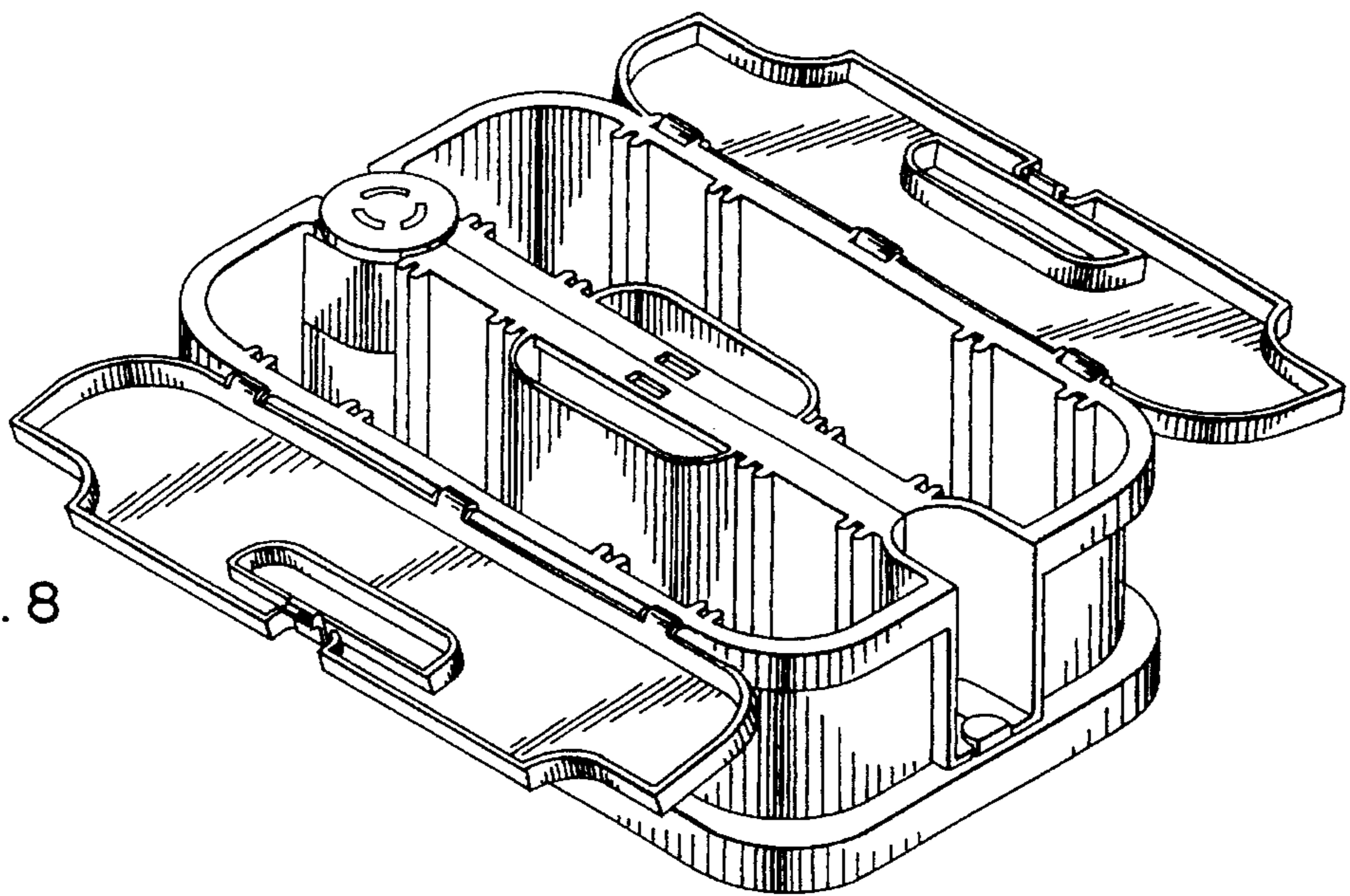


FIG. 8

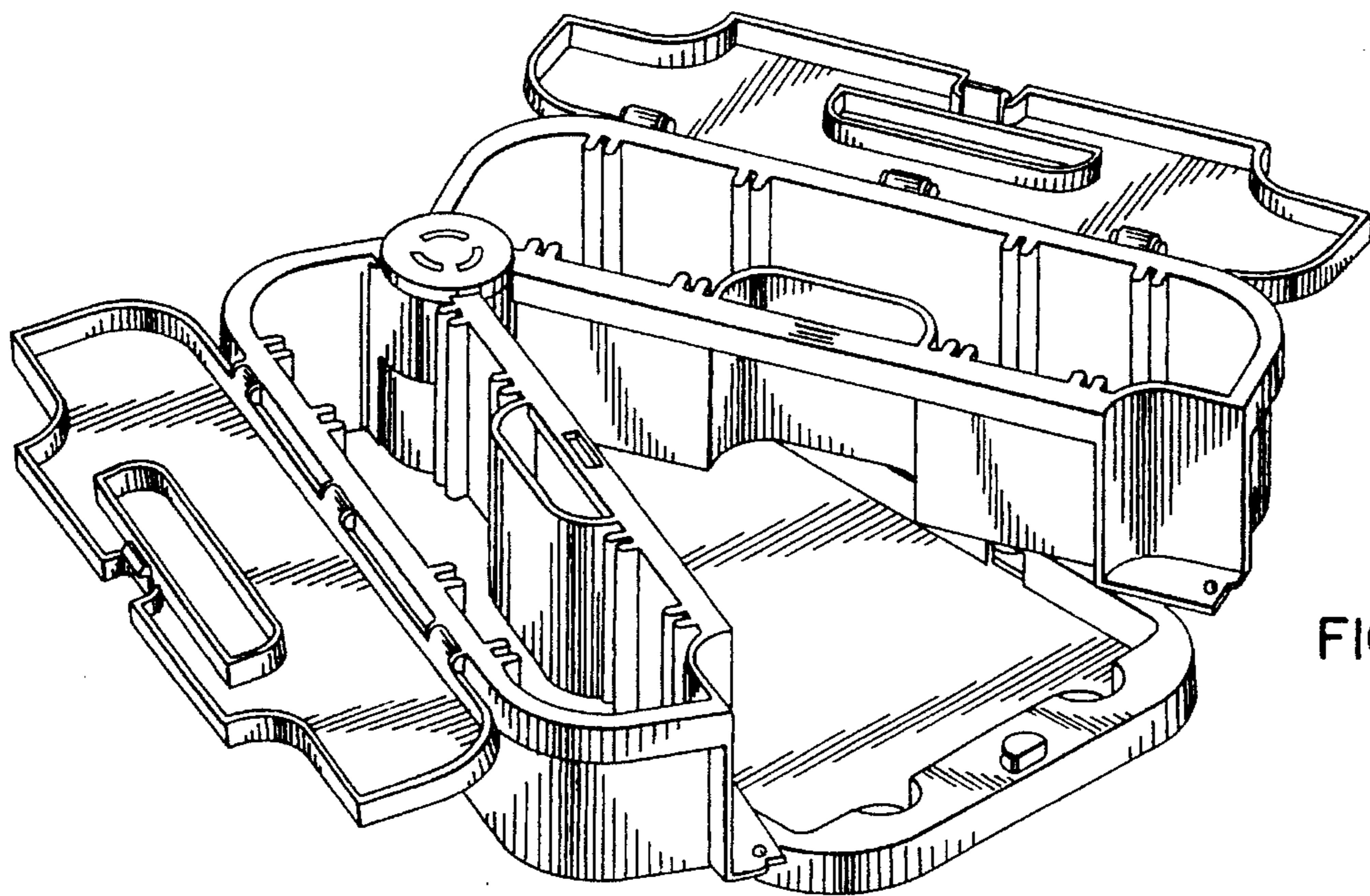


FIG. 9

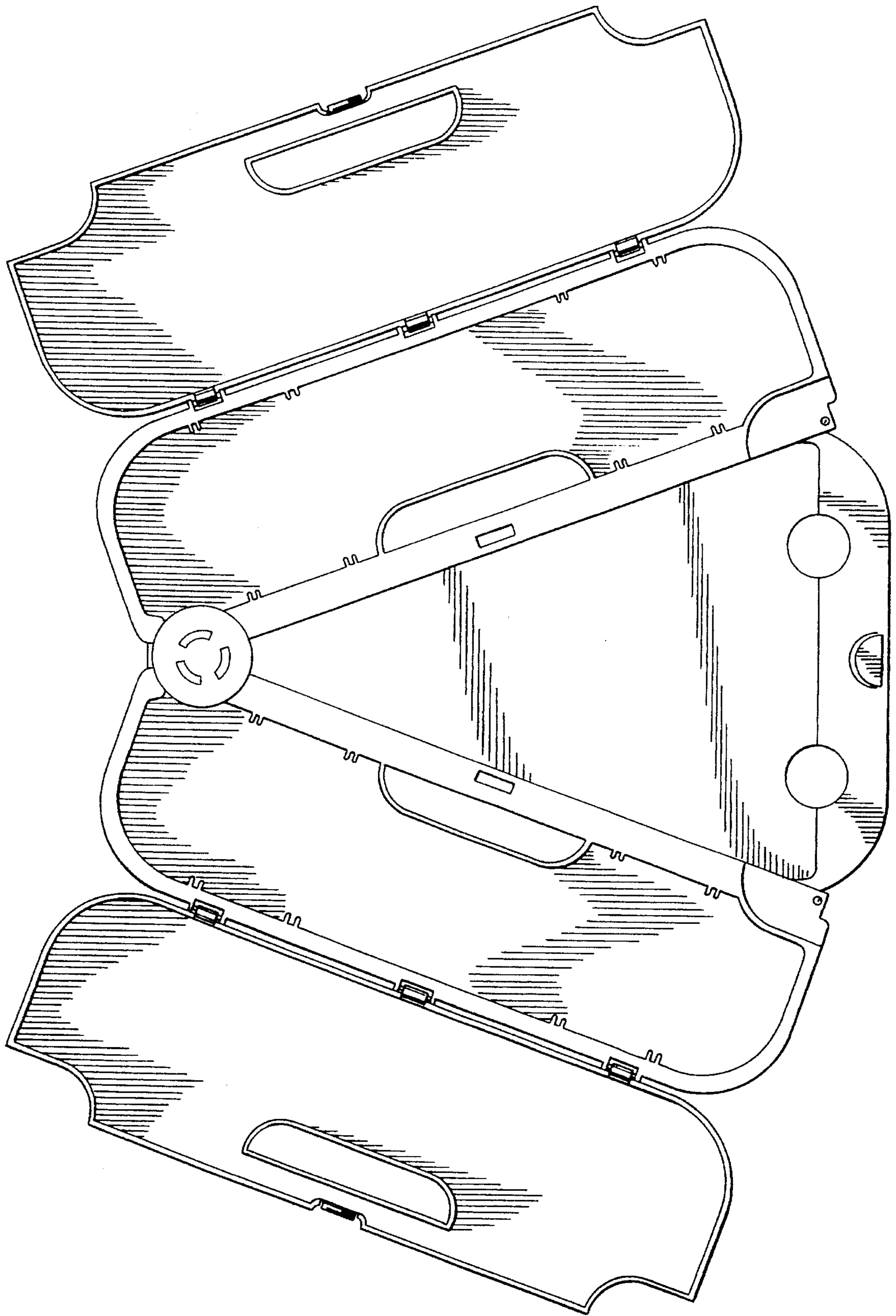


FIG. 10