



US00D374301S

# United States Patent [19]

Kleffman

[11] Patent Number: **Des. 374,301**

[45] Date of Patent: **\*\*Oct. 1, 1996**

[54] **FLUORESCENT LIGHT FIXTURE**

[76] Inventor: **Gene A. Kleffman**, 802 Polk, Hugoton, Kans. 67951

[\*\*] Term: **14 Years**

[21] Appl. No.: **28,077**

[22] Filed: **Sep. 6, 1994**

[52] U.S. Cl. .... **D26/76**

[58] Field of Search ..... D26/75-79; 362/147, 362/148, 150, 217, 220, 222, 223

### [56] **References Cited**

#### U.S. PATENT DOCUMENTS

D. 119,800	4/1940	Carter, Jr. ....	D26/78
D. 284,110	6/1986	Mullins .....	D26/76
4,562,517	12/1985	Pankin .....	362/147
4,622,624	11/1986	McCarthy et al. ....	362/217

*Primary Examiner*—Susan J. Lucas  
*Attorney, Agent, or Firm*—John W. Carpenter

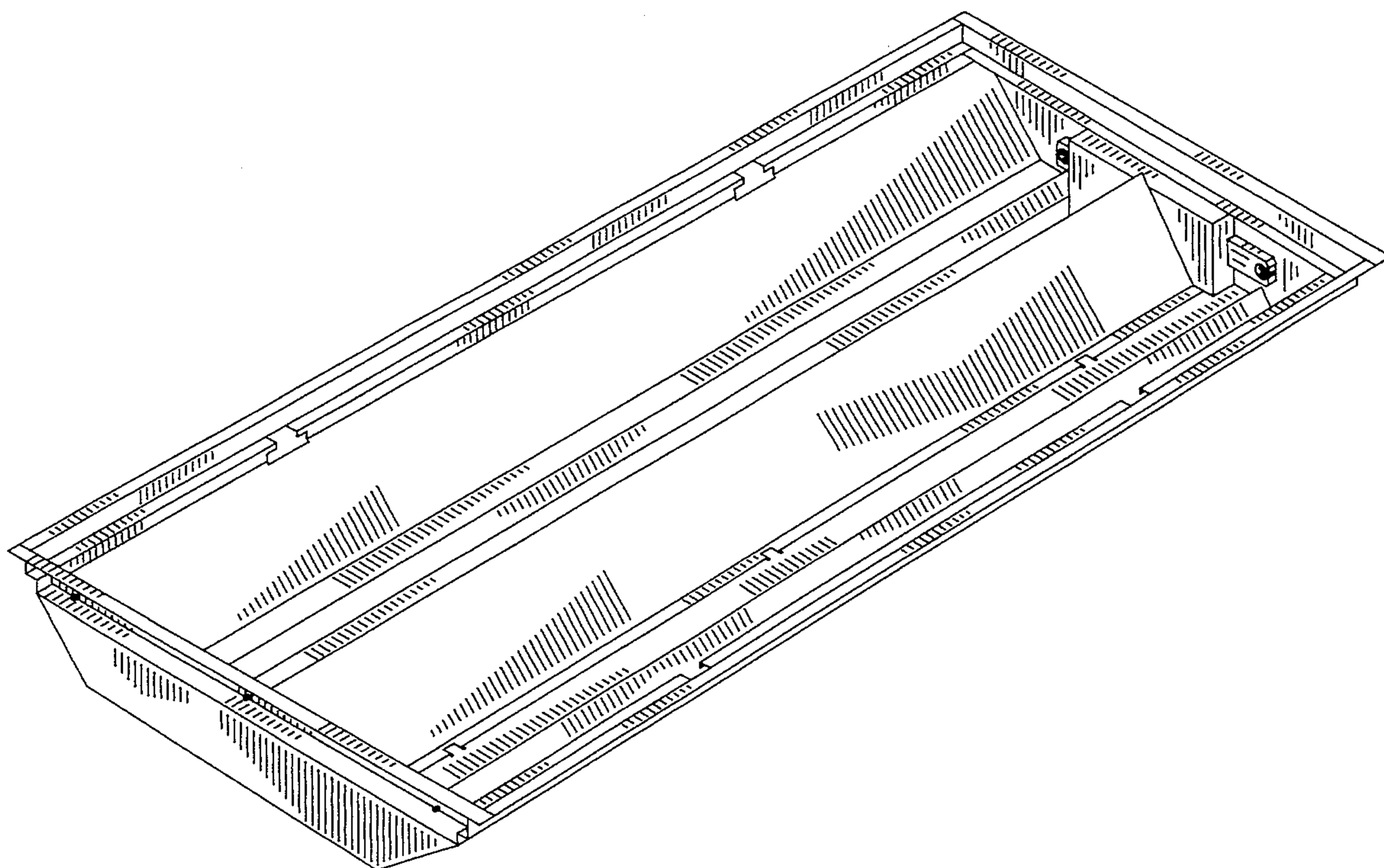
### [57] **CLAIM**

The ornamental design for a fluorescent light fixture, as shown and described.

### **DESCRIPTION**

FIG. 1 is a perspective view which of a fluorescent light fixture of the present invention;  
FIG. 2 is a top plan view thereof;  
FIG. 3 is a bottom plan view thereof;  
FIG. 4 is a side elevational view thereof;  
FIG. 5 is another side elevational view thereof;  
FIG. 6 is an end elevational view thereof, which is of a side opposed to the side in FIG. 4; and,  
FIG. 7 is another end elevational view thereof, which is of an end opposed to the end in FIG. 6.

**1 Claim, 5 Drawing Sheets**



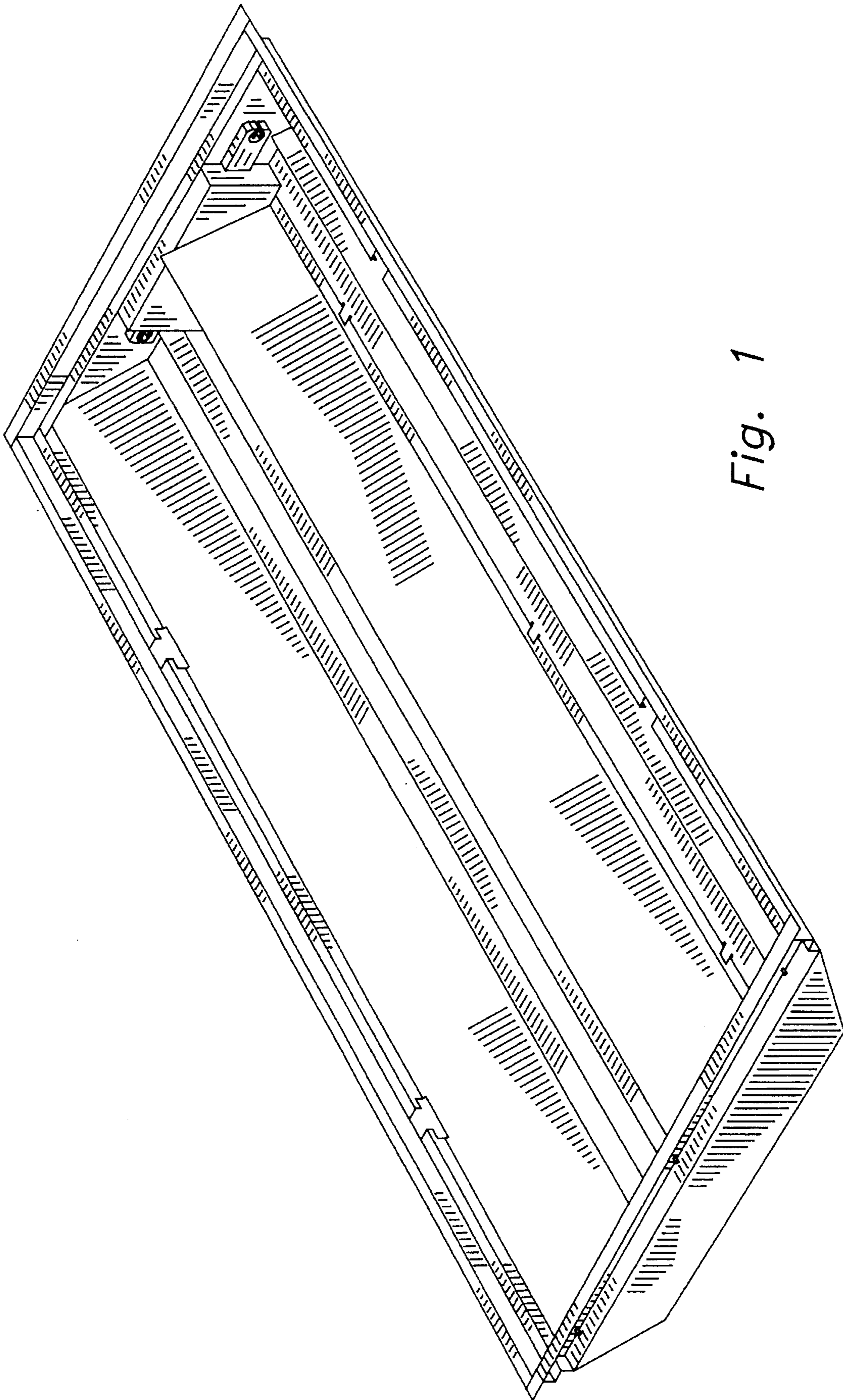


Fig. 1

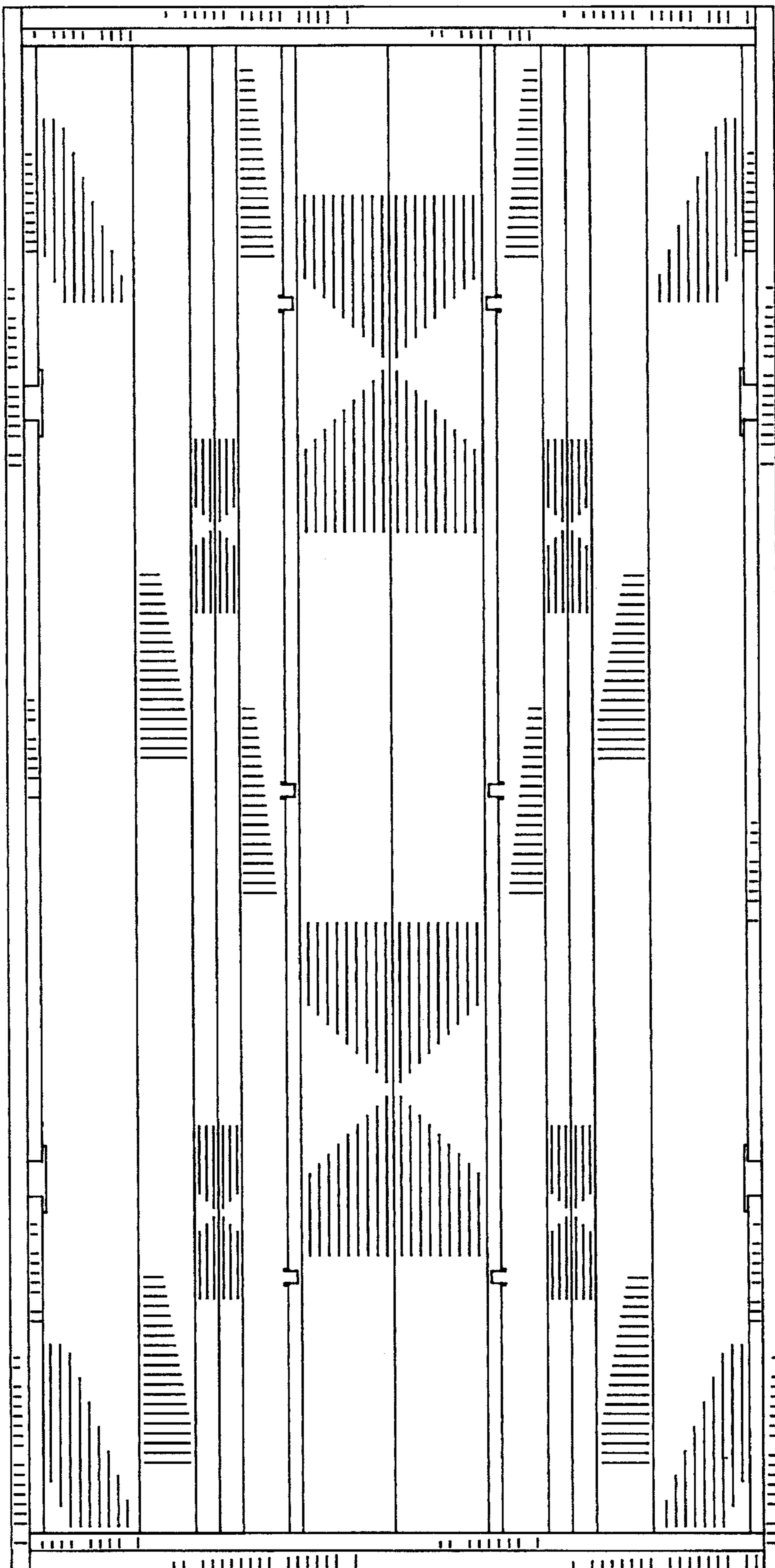


Fig. 2

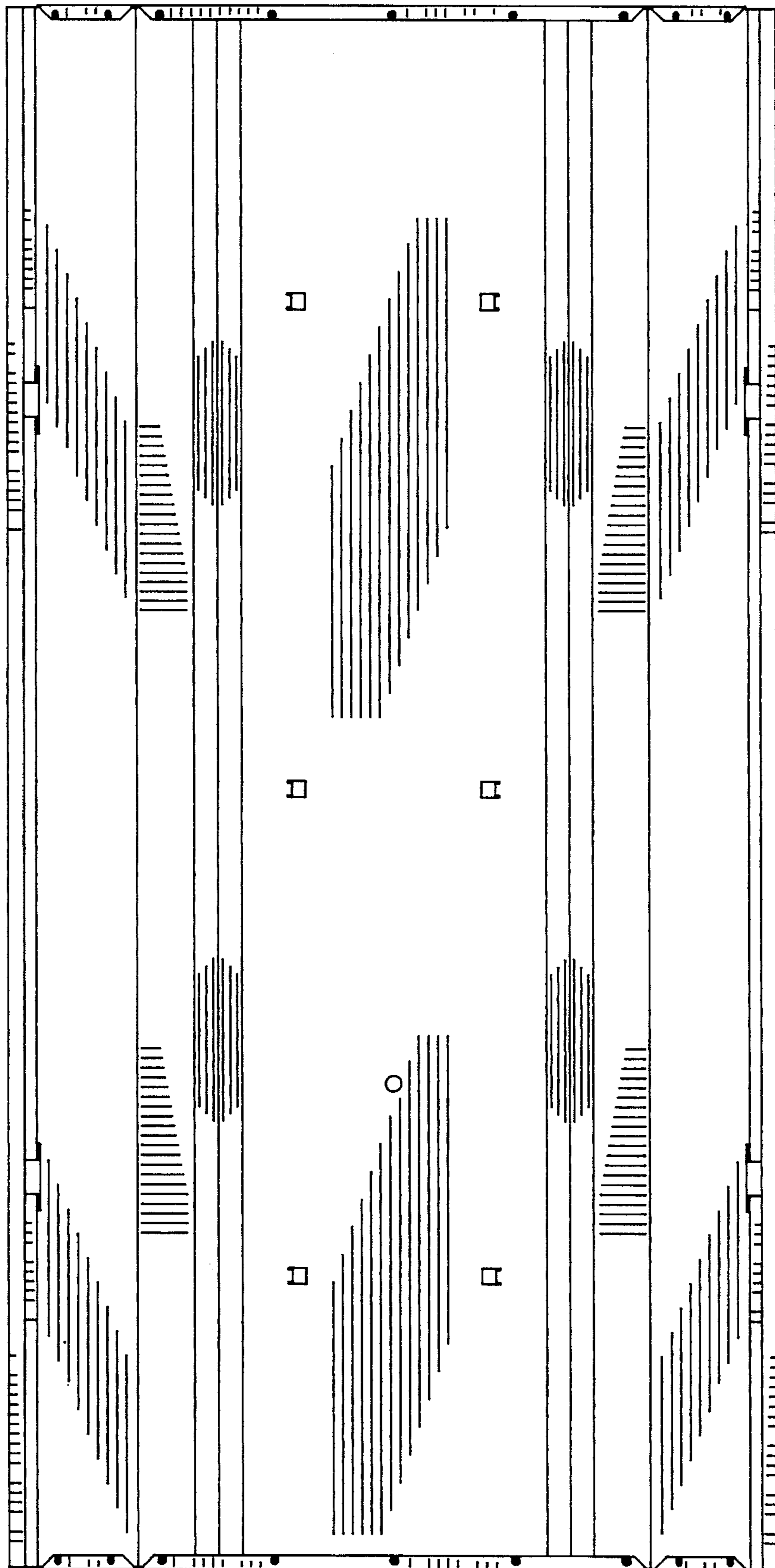
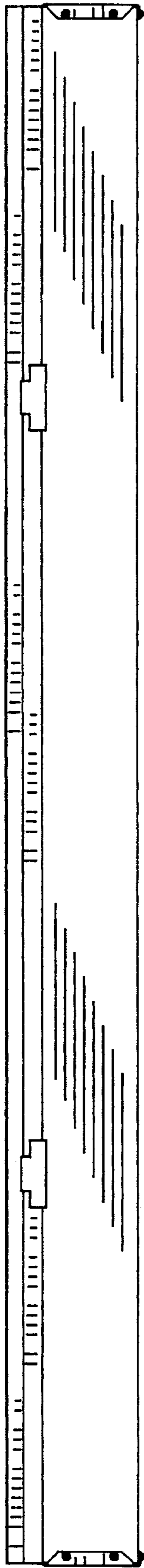
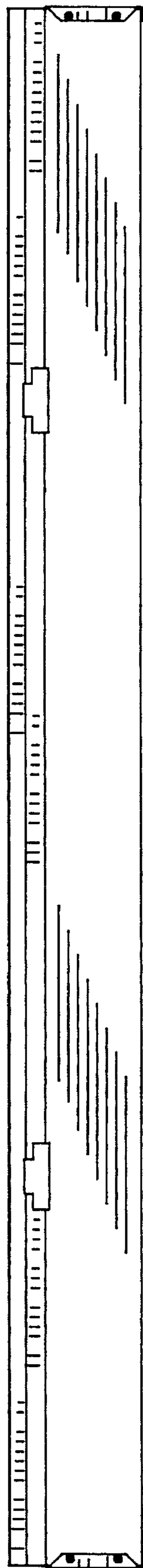


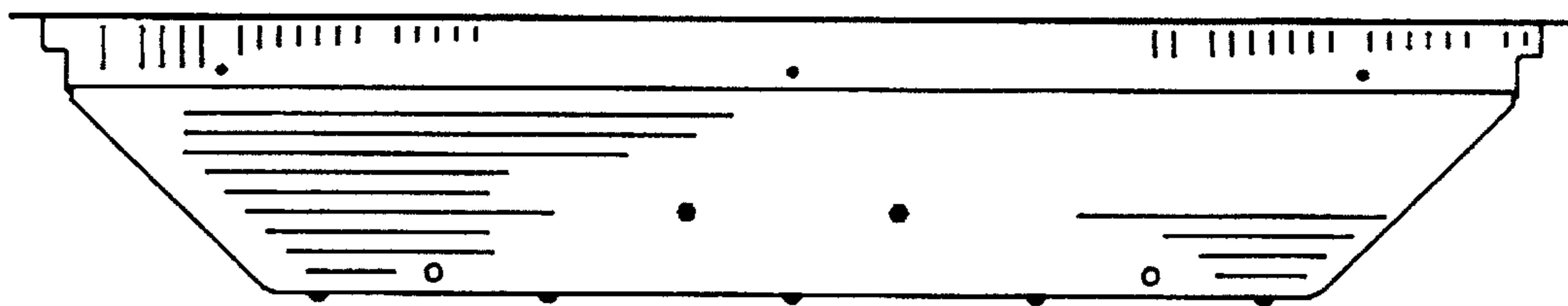
Fig. 3



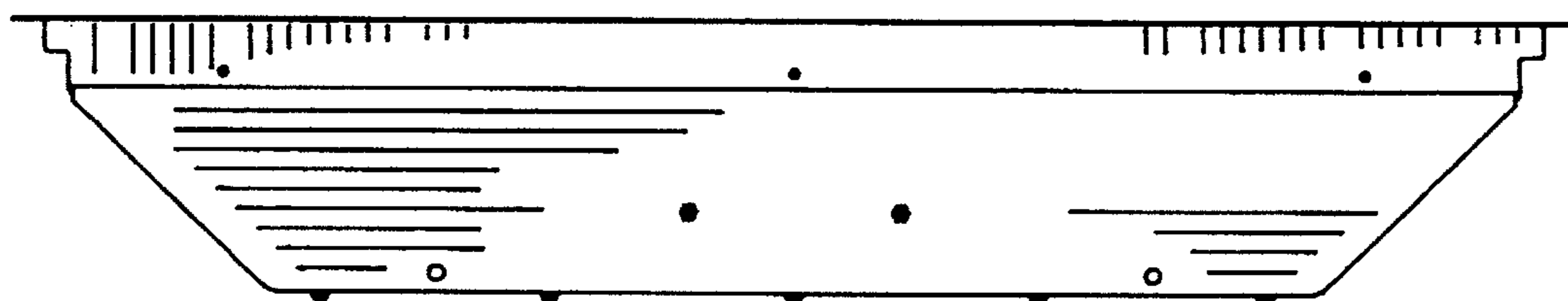
*Fig. 4*



*Fig. 5*



*Fig. 6*



*Fig. 7*