



US00D374300S

**United States Patent** [19]  
**Germany**

[11] **Patent Number: Des. 374,300**

[45] **Date of Patent: \*\*Oct. 1, 1996**

[54] **NIGHTLIGHT PEG HANGER**

[76] Inventor: **Robert S. Germany**, P.O. Box 2307,  
Sugar Land, Tex. 77478

[\*\*] Term: **14 Years**

[21] Appl. No.: **44,912**

[22] Filed: **Oct. 3, 1995**

[52] U.S. Cl. .... **D26/73; D26/51**

[58] **Field of Search** ..... D26/51, 73; D19/77;  
D6/316, 569, 572, 512, 513, 563; 362/132,  
806; D11/133

[56] **References Cited**

**U.S. PATENT DOCUMENTS**

D. 52,485	9/1918	Lemke	.....	D6/569
D. 168,927	3/1953	Dinn	.....	D6/563
D. 184,074	12/1958	Thomas	.....	D26/73
D. 291,154	8/1987	Owen	.....	D6/569
D. 320,720	10/1991	Goodman et al.	.....	D6/569
D. 348,080	6/1994	Popovits	.....	D19/77
D. 357,360	4/1995	Hayward	.....	D6/316
2,827,555	3/1958	Woolley	.....	362/132

**OTHER PUBLICATIONS**

Crayon Lamps, Raiphco Inc., Novelty Lamps, Feb. 21, 1995.

Lilian Vernon Catalog, Novelty Lamps Box, Train Peg Rack, Jan. 10, 1990, #139541.

*Primary Examiner*—Susan J. Lucas

*Assistant Examiner*—Jennifer Regester

*Attorney, Agent, or Firm*—Fish & Richardson P.C.

[57] **CLAIM**

The ornamental design for a nightlight peg hanger, as shown and described.

**DESCRIPTION**

FIG. 1 is a perspective view of the design according to the invention;

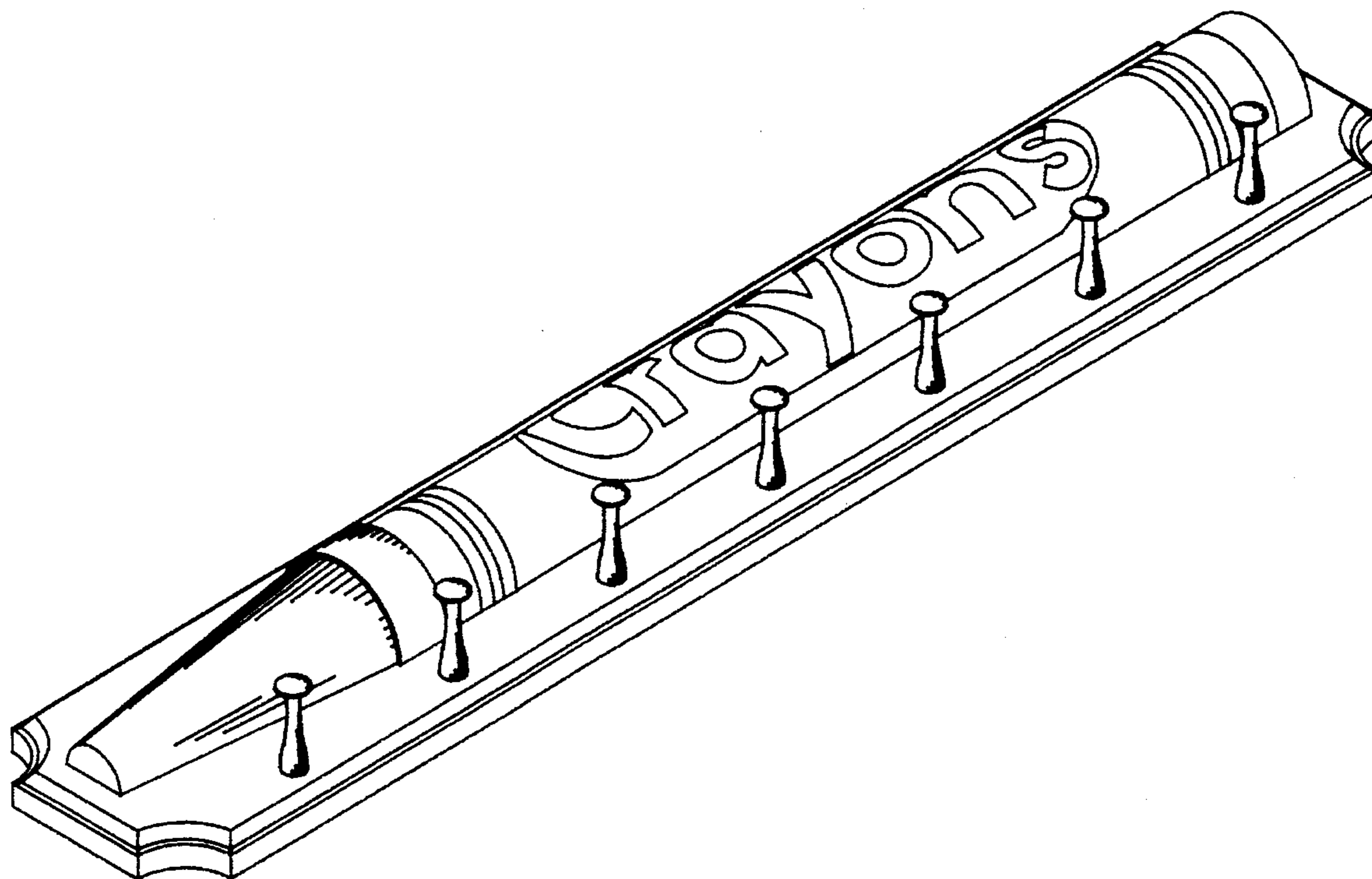
FIG. 2 is a front view of the design according to the invention;

FIG. 3 is a bottom view of the design according to the invention;

FIG. 4 is a left end view of the design according to the invention; and,

FIG. 5 is a right end view of the design according to the invention.

**1 Claim, 3 Drawing Sheets**



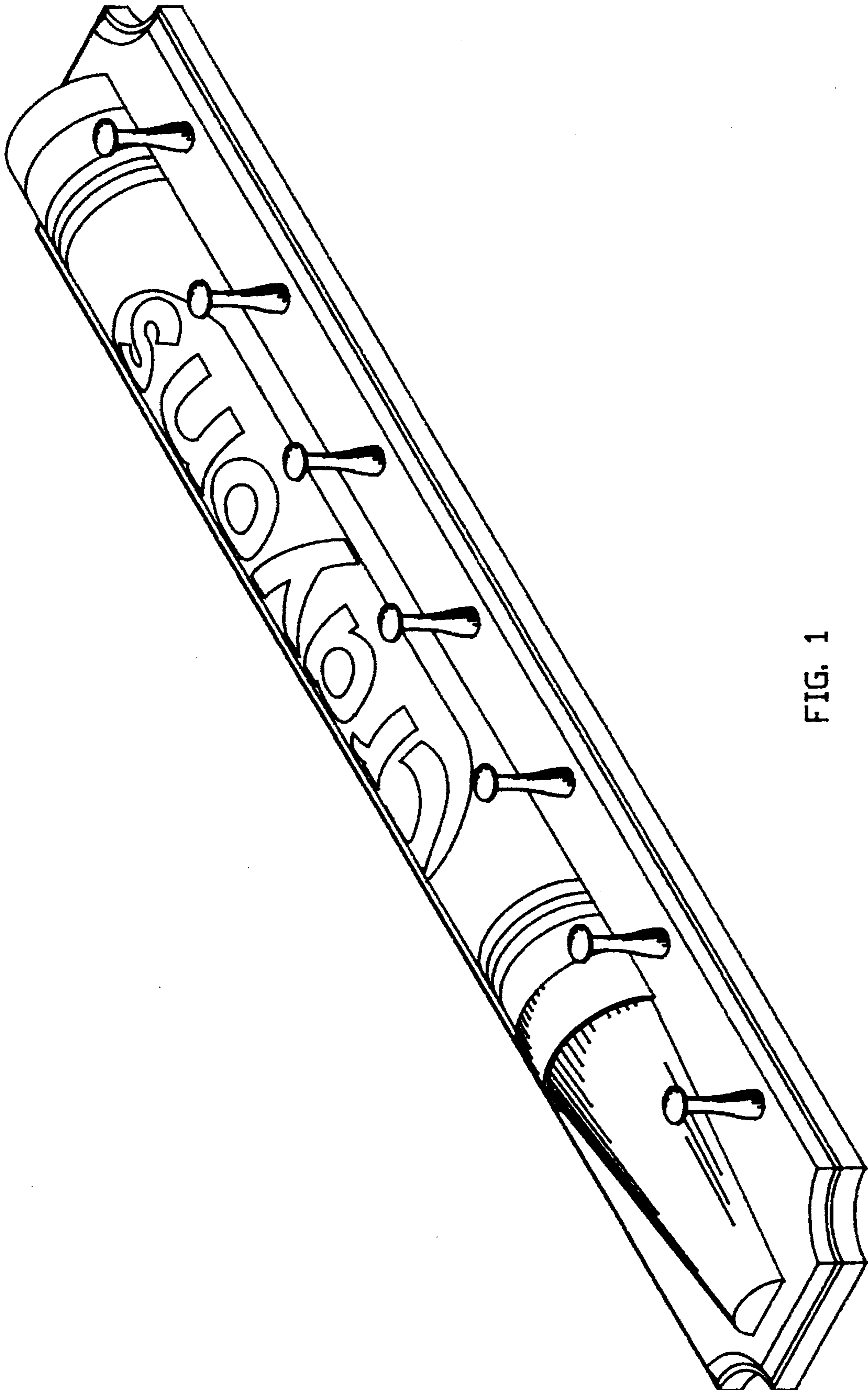


FIG. 1

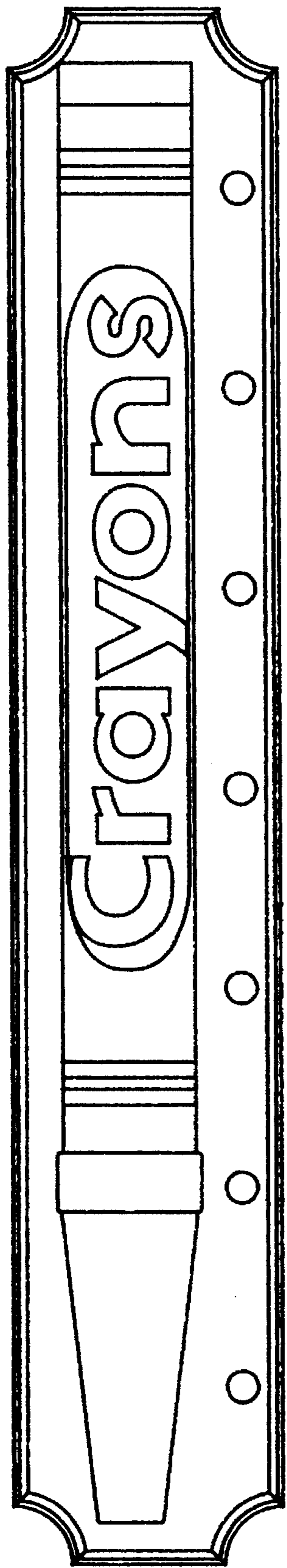


FIG. 2

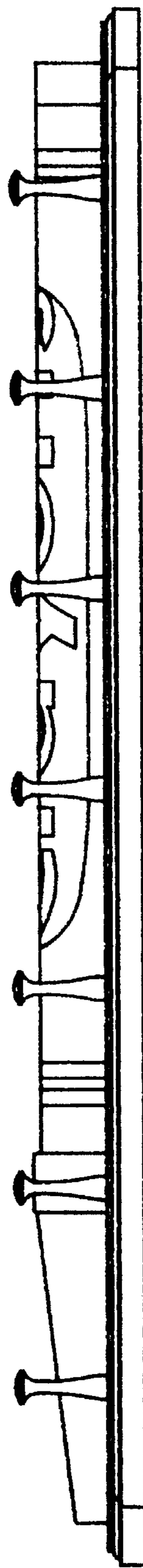


FIG. 3

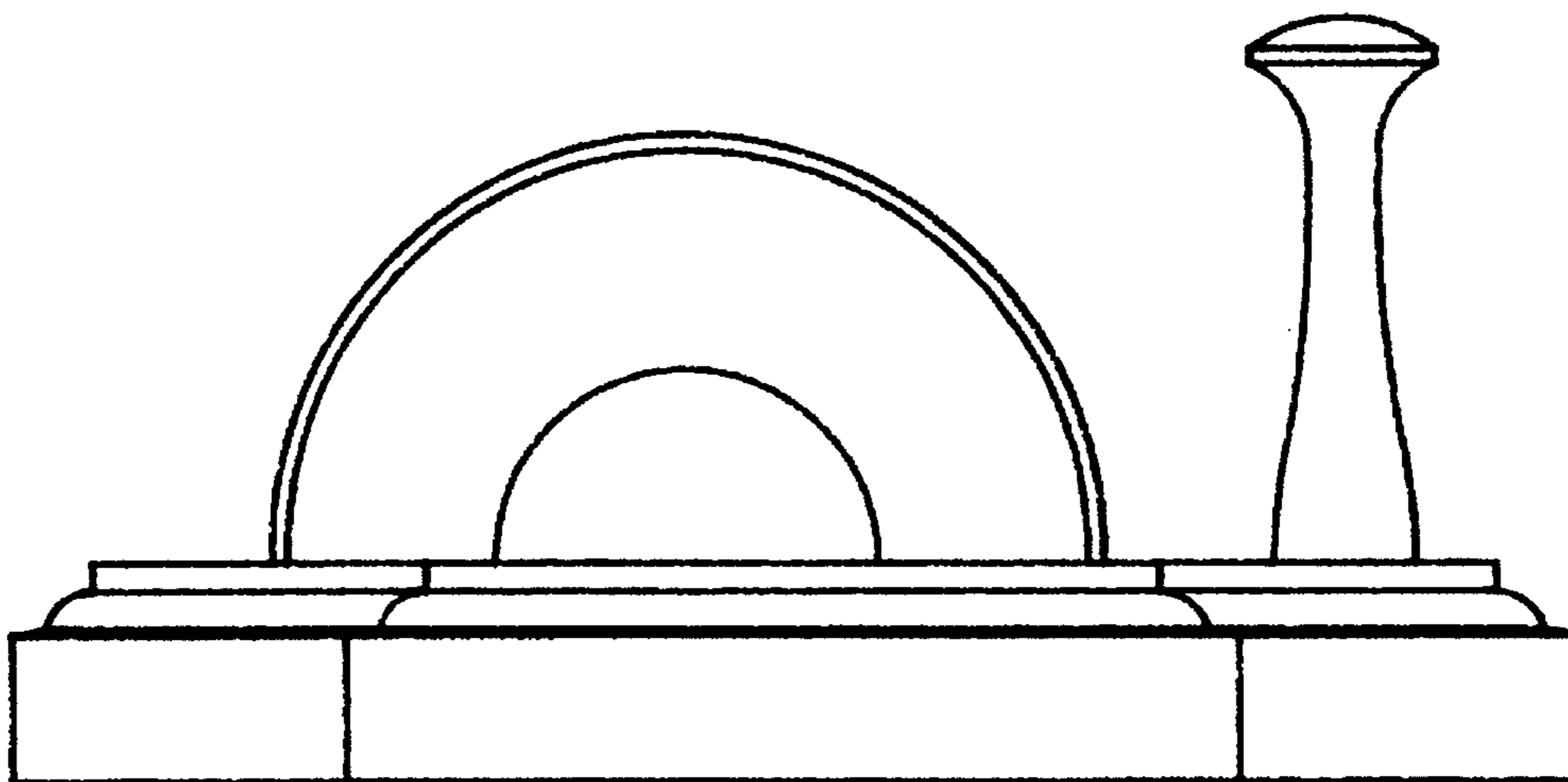


FIG. 4

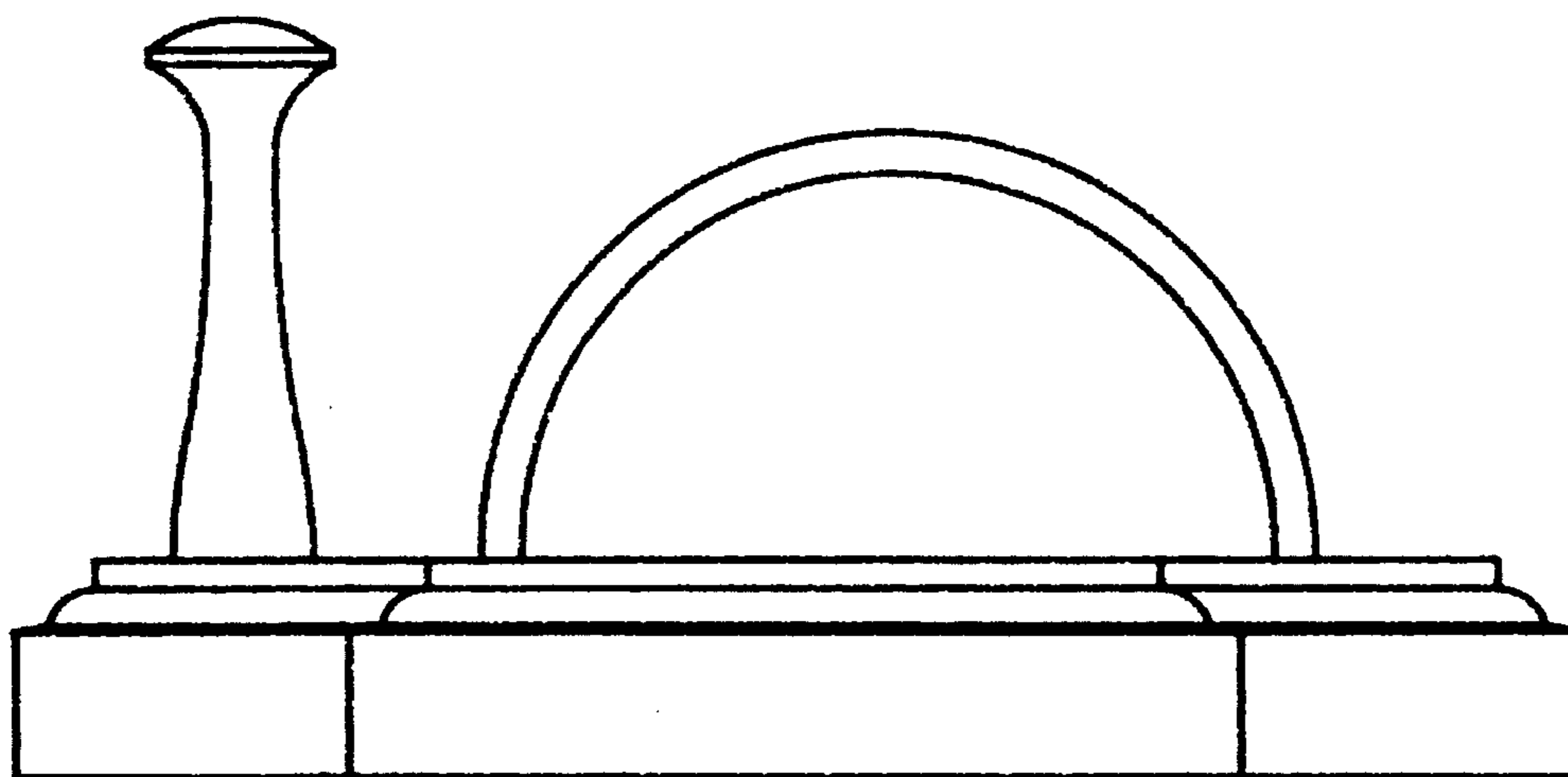


FIG. 5