



US00D374294S

United States Patent [19]

Yuen

[11] Patent Number: **Des. 374,294**

[45] Date of Patent: ****Oct. 1, 1996**

[54] **COMBINED PLUG-IN FLUORESCENT TUBE NIGHT LIGHT AND PHOTO SENSOR**

D. 331,292 11/1992 Ham D26/42
D. 332,836 1/1993 Ham D26/42
2,421,967 6/1947 Schepmoes 362/223

[75] Inventor: **John S. Yuen, Kowloon, Hong Kong**

Primary Examiner—Marcus A. Jackson
Attorney, Agent, or Firm—Fay, Sharpe, Beall, Fagan, Minnich & McKee

[73] Assignee: **John Manufacturing Limited, Kowloon, Hong Kong**

[**] Term: **14 Years**

[57] **CLAIM**

[21] Appl. No.: **39,873**

The ornamental design for a combined plug-in fluorescent tube night light and photo sensor, as shown and described.

[22] Filed: **Jun. 6, 1995**

DESCRIPTION

[30] **Foreign Application Priority Data**

FIG. 1 is a rear elevational view of a combined plug-in fluorescent tube night light and photo sensor showing my new design;

Dec. 7, 1994 [GB] United Kingdom 2043767

[52] U.S. Cl. **D26/26; D10/106**

FIG. 2 is a top plan view thereof;

[58] Field of Search D26/26, 28, 37-50, D26/75, 76, 77, 78, 85; 362/147, 226, 224, 223, 222, 220, 219, 217; D10/104, 106

FIG. 3 is a front elevational view thereof;

FIG. 4 is an underneath plan view thereof;

FIG. 5 is a left side elevational view thereof;

FIG. 6 is a right side elevational view thereof; and,

FIG. 7 is a top, front and right perspective view thereof.

[56] **References Cited**

U.S. PATENT DOCUMENTS

D. 302,319 7/1989 Yuen D26/42

1 Claim, 2 Drawing Sheets

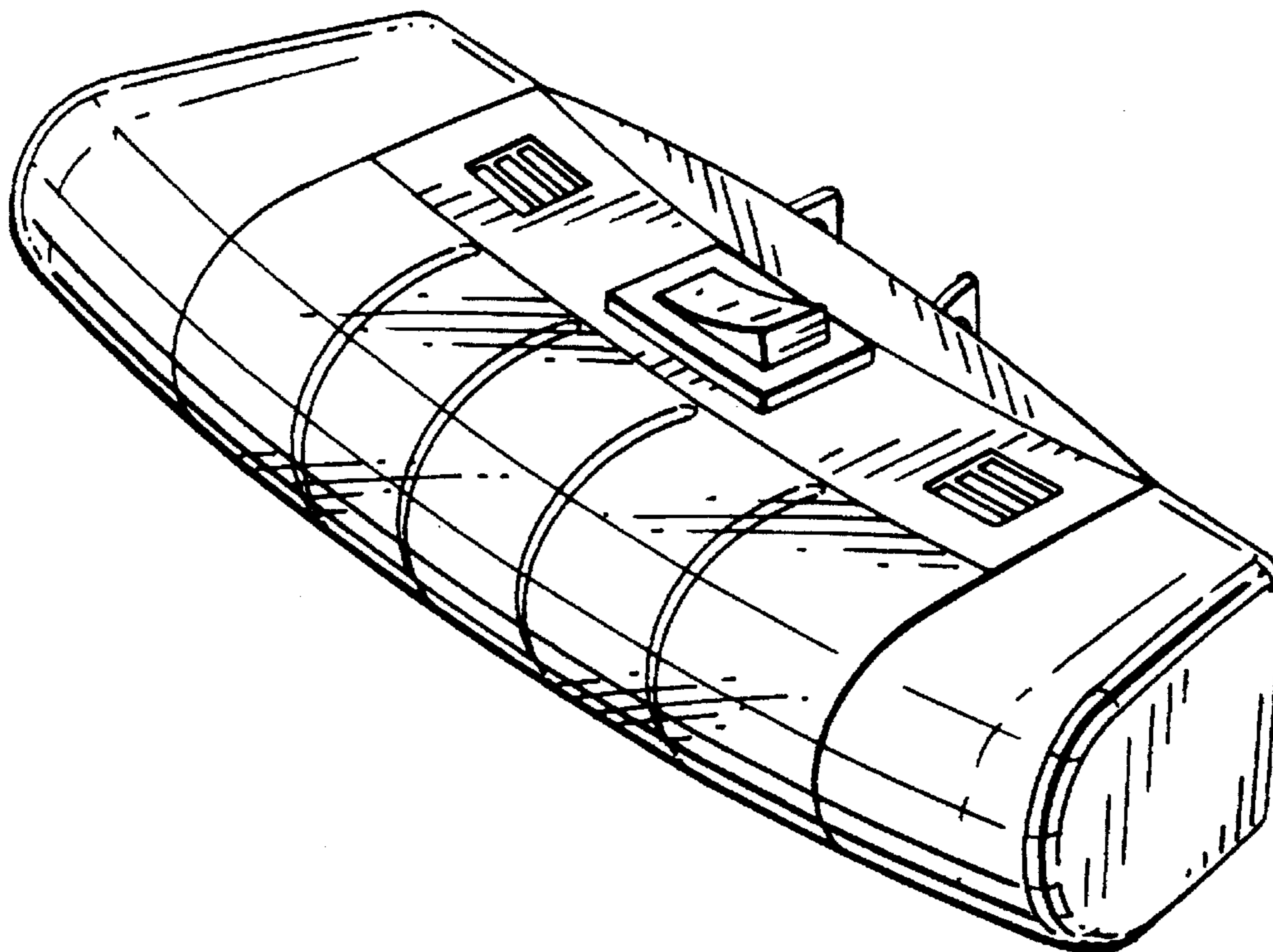


FIG. 1.

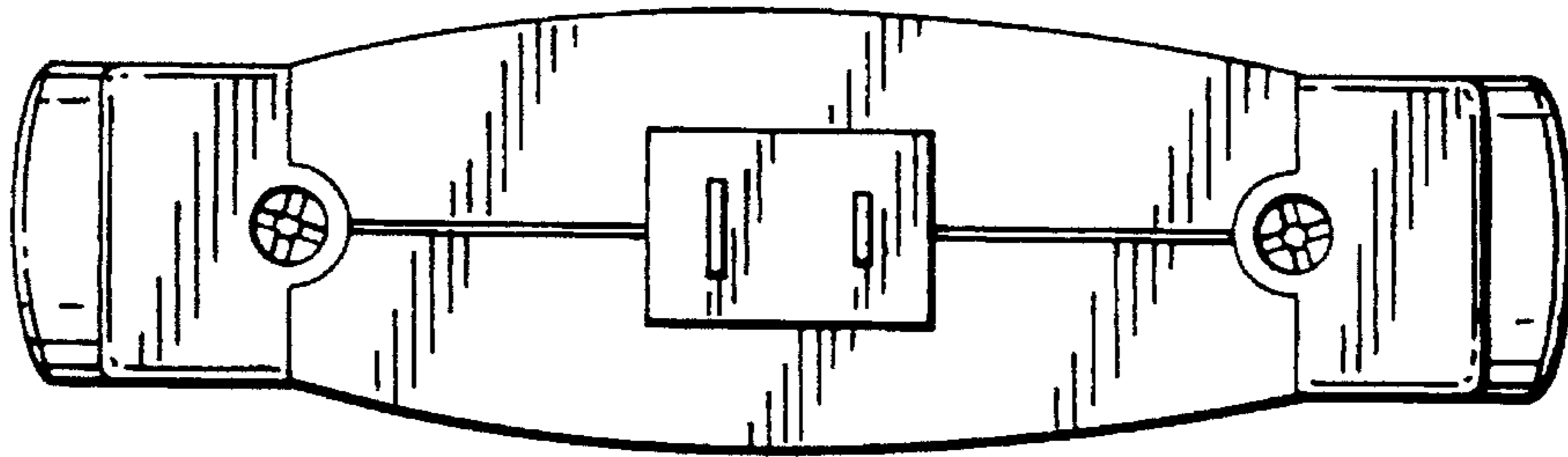


FIG. 2.

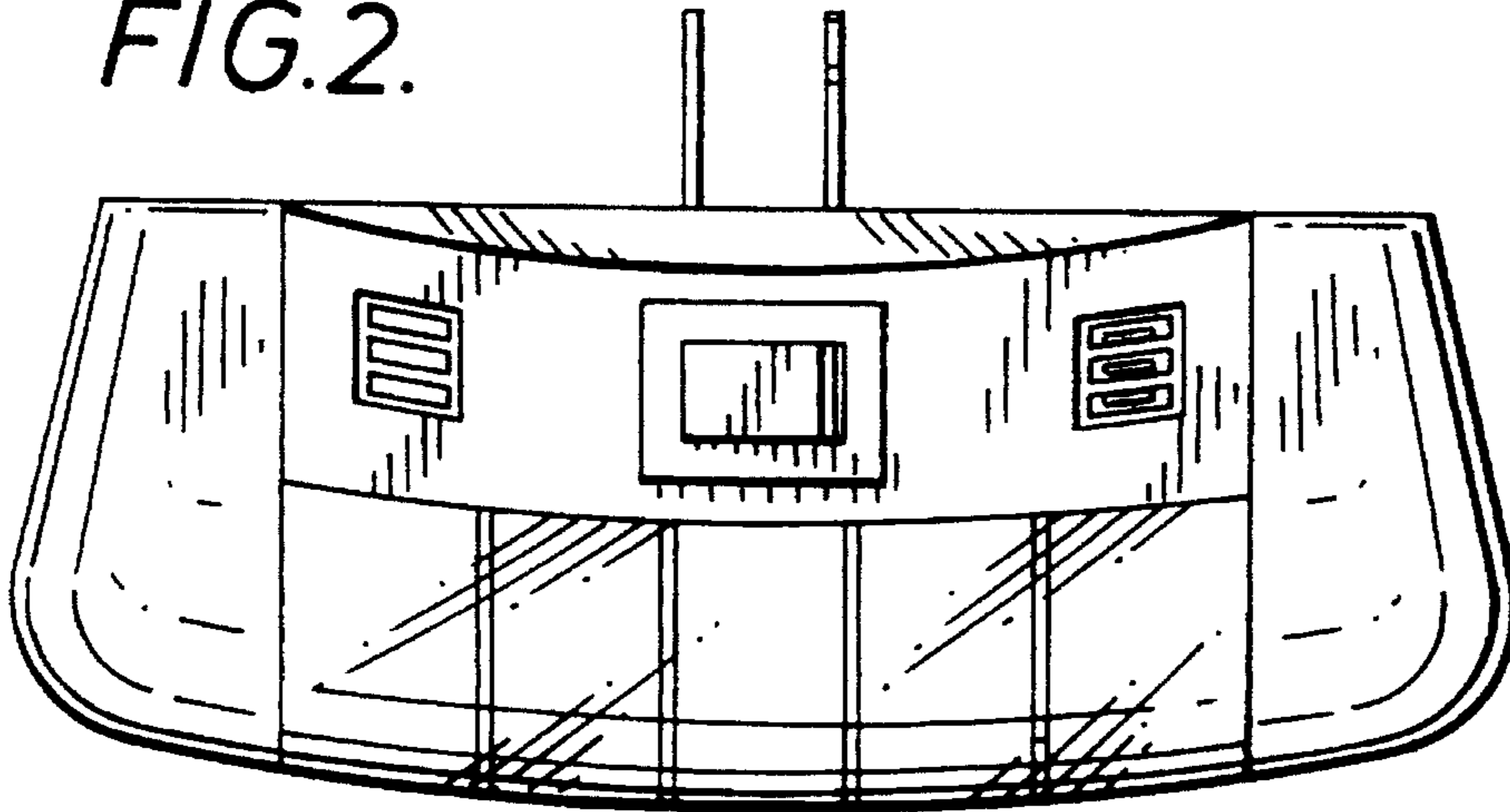
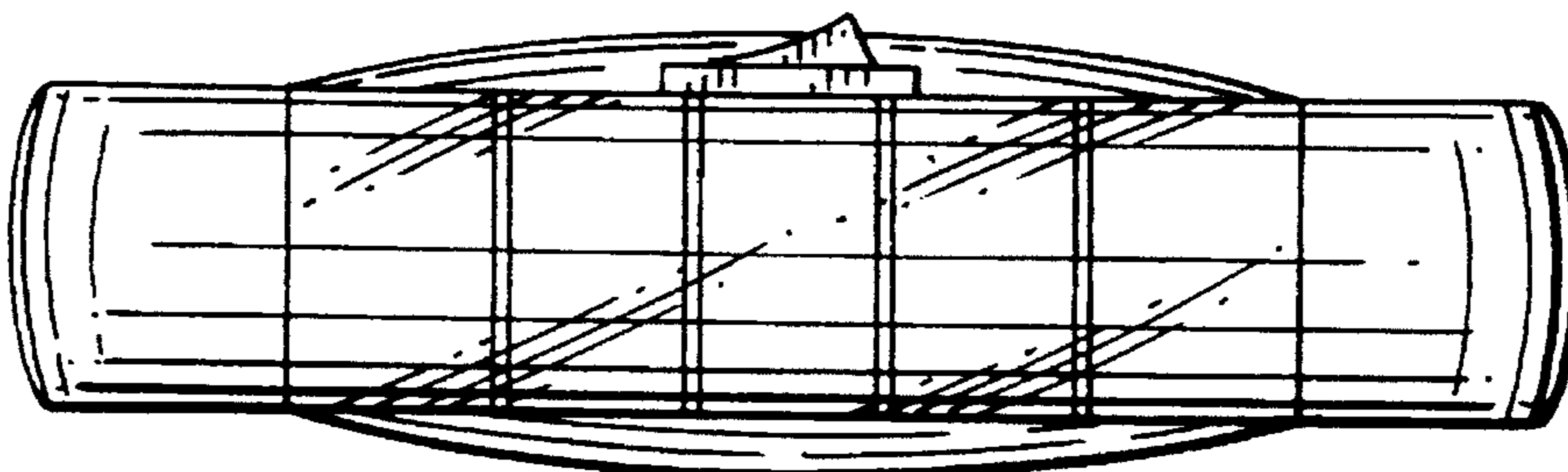


FIG. 3.



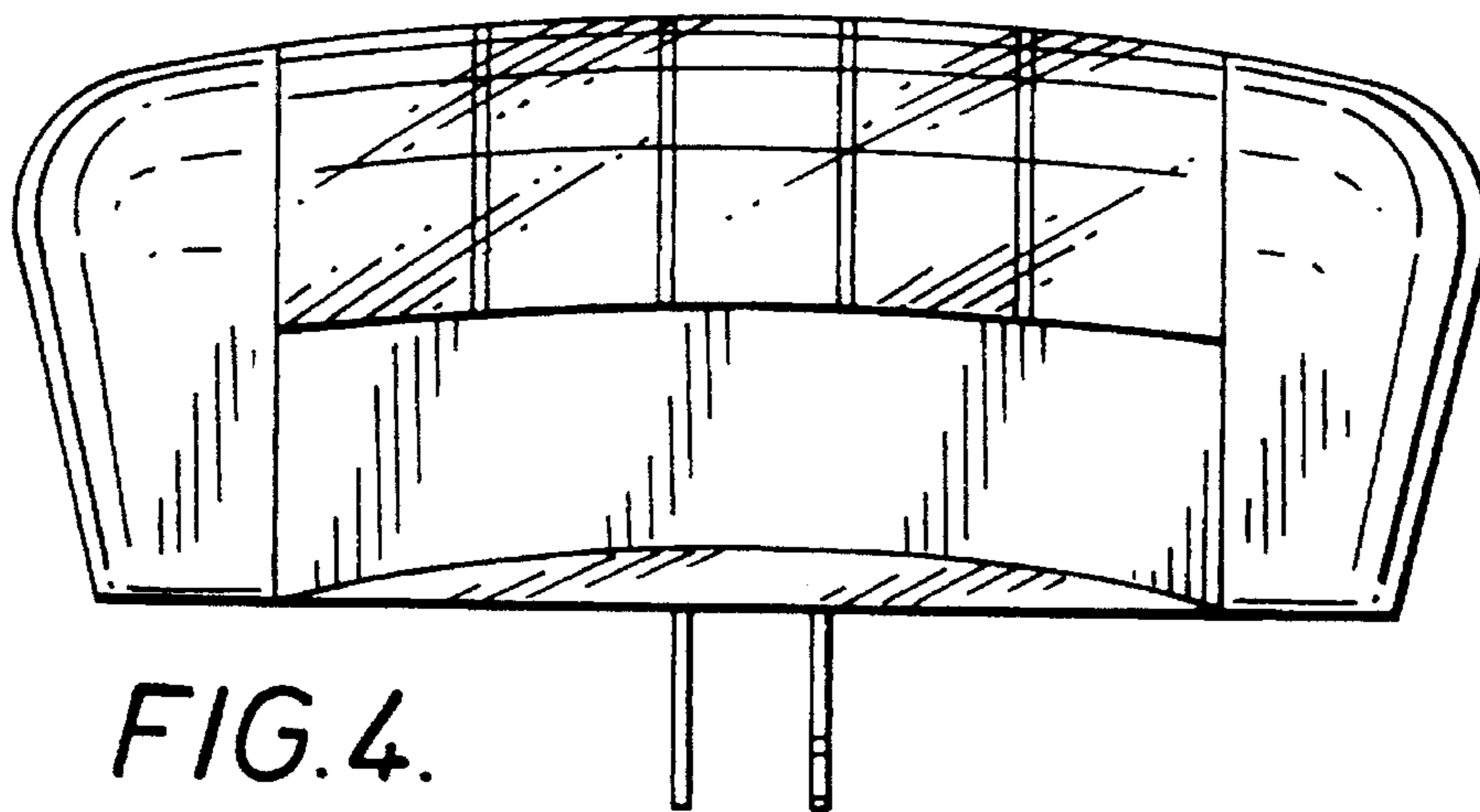


FIG. 4.

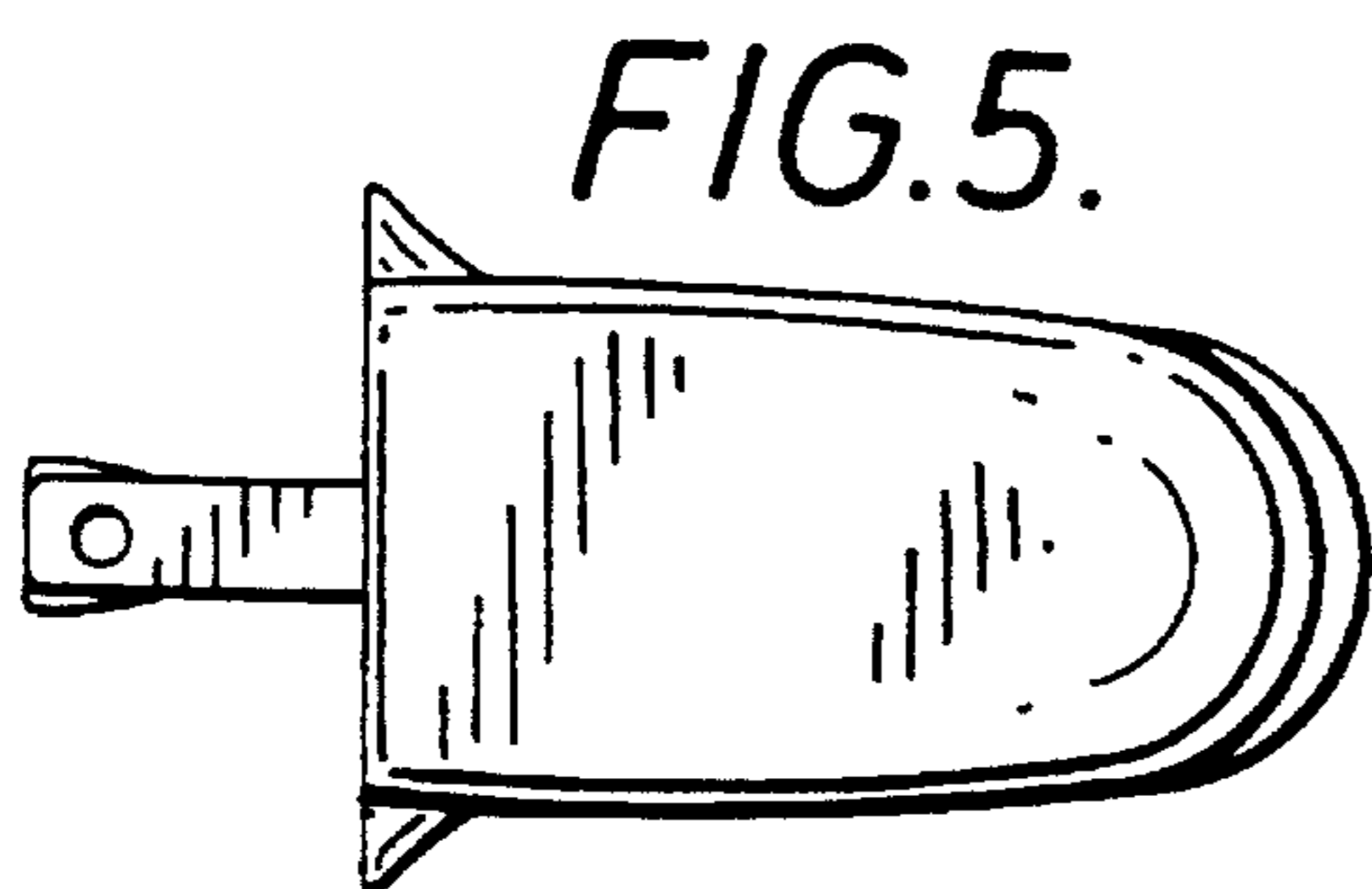


FIG. 5.

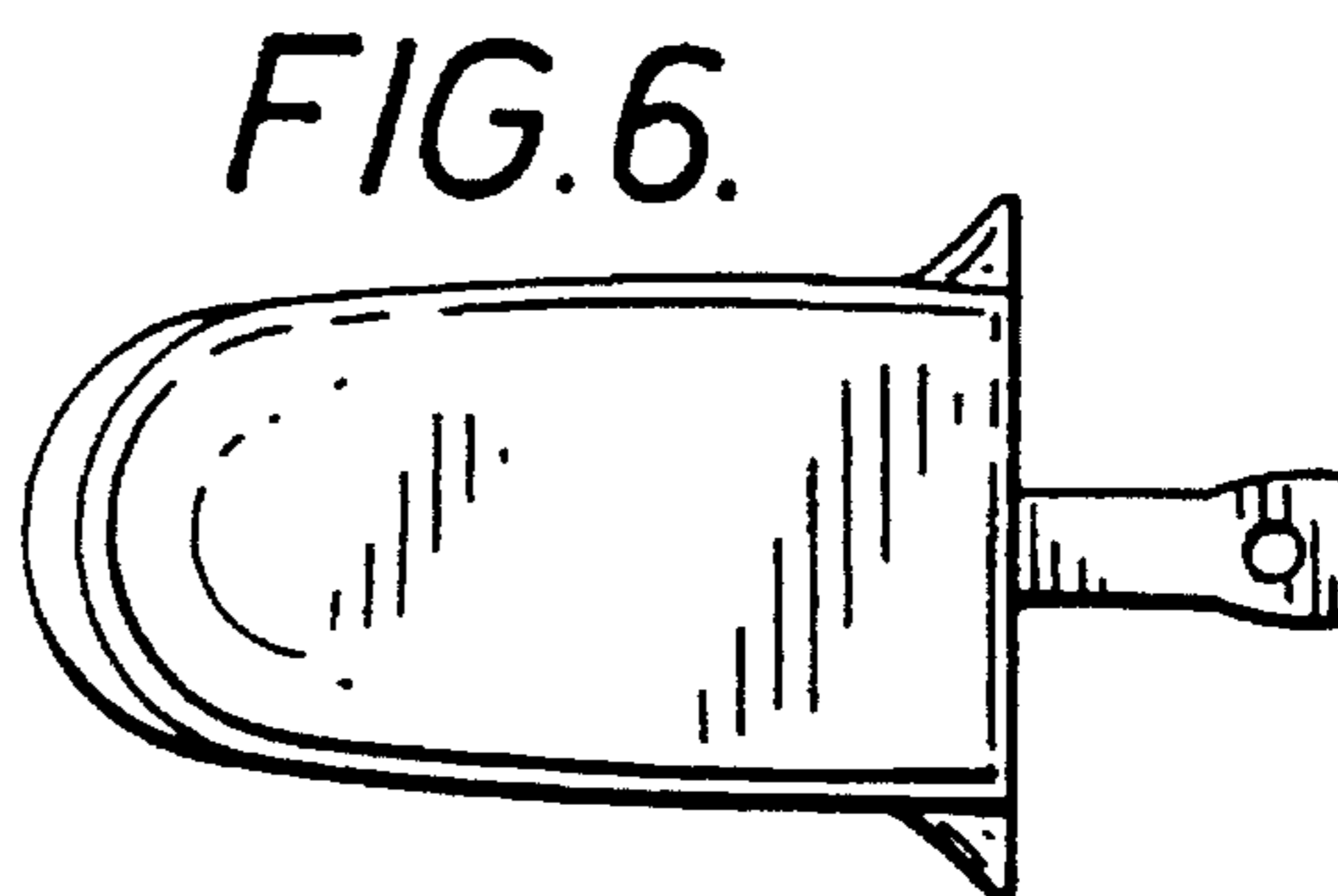


FIG. 6.

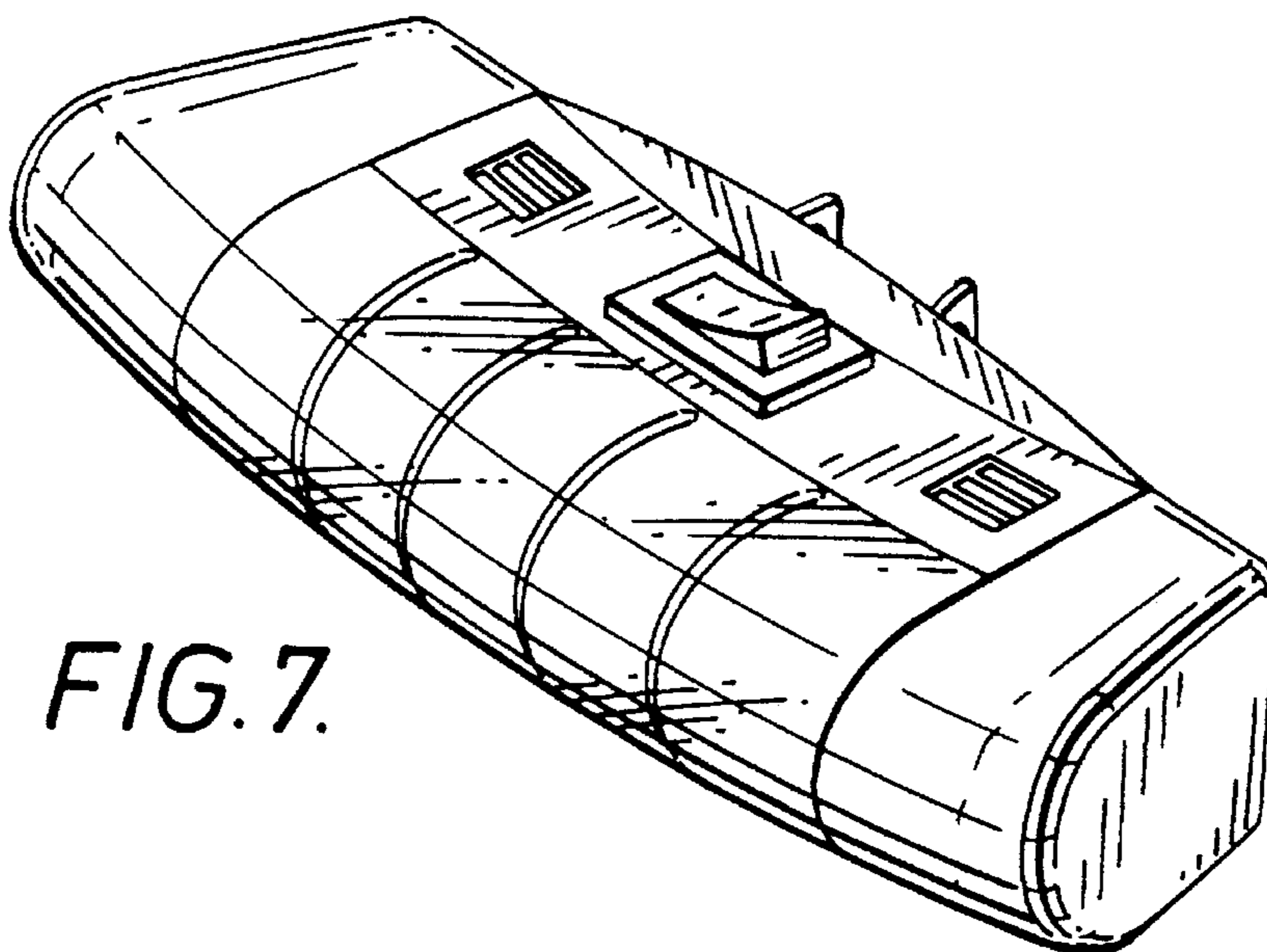


FIG. 7.