



US00D374292S

United States Patent [19]
Koo et al.

[11] **Patent Number:** **Des. 374,292**
[45] **Date of Patent:** ****Oct. 1, 1996**

[54] **TRUSS**
[75] Inventors: **Kenneth G. Koo**, Richmond Hill; **Bill M. Tully**, L'Acadie, both of Canada
[73] Assignee: **Truswal Systems Corporation**, Arlington, Tex.
[**] Term: **14 Years**
[21] Appl. No.: **40,568**
[22] Filed: **Jun. 22, 1995**
[52] **U.S. Cl.** **D25/61**
[58] **Field of Search** D25/61; 52/223.8, 52/634, 637, 638, 690-693

4,275,537 6/1981 Pinson 52/223.8
4,506,487 3/1985 Hill 52/690
4,730,431 3/1988 Ericsson 52/694

Primary Examiner—Doris Clark
Attorney, Agent, or Firm—Eugene J. A. Gierczak

[57] **CLAIM**

The ornamental design for the “truss”, as shown and described.

DESCRIPTION

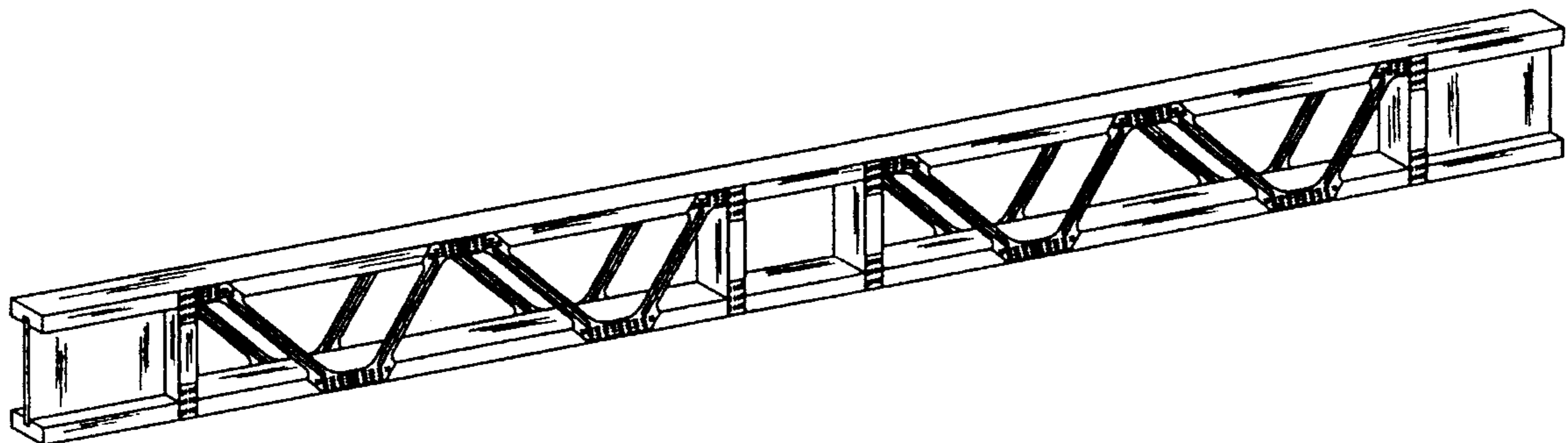
FIG. 1 is an end view of the truss;
FIG. 2 is a top view of the truss;
FIG. 3 is a bottom view of the truss;
FIG. 4 is a perspective view of the truss;
FIG. 5 is a side elevation view of the truss; and,
FIG. 6 is a side elevation view of a portion of the truss of FIG. 5, showing the left end section of the truss in greater detail.

[56] **References Cited**

U.S. PATENT DOCUMENTS

D. 297,864 9/1988 Funk D25/61
2,284,898 6/1942 Hartman D25/61
3,778,946 12/1973 Wood et al. 52/223.8

1 Claim, 2 Drawing Sheets



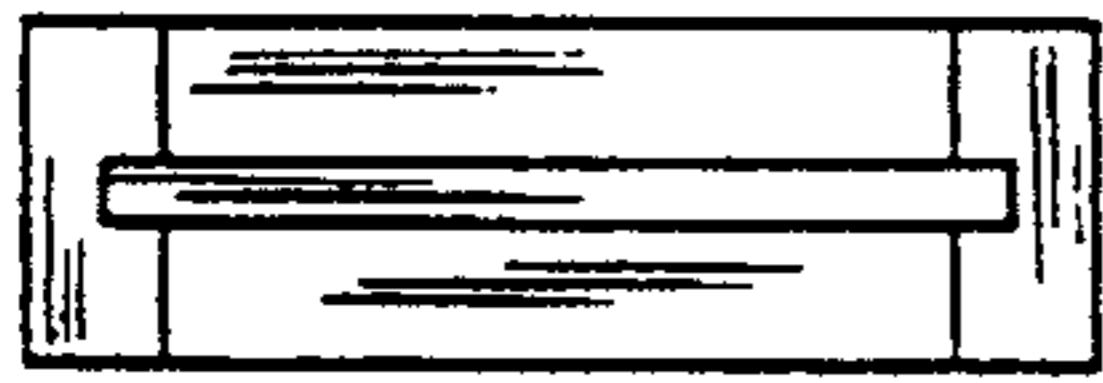


Figure 1.

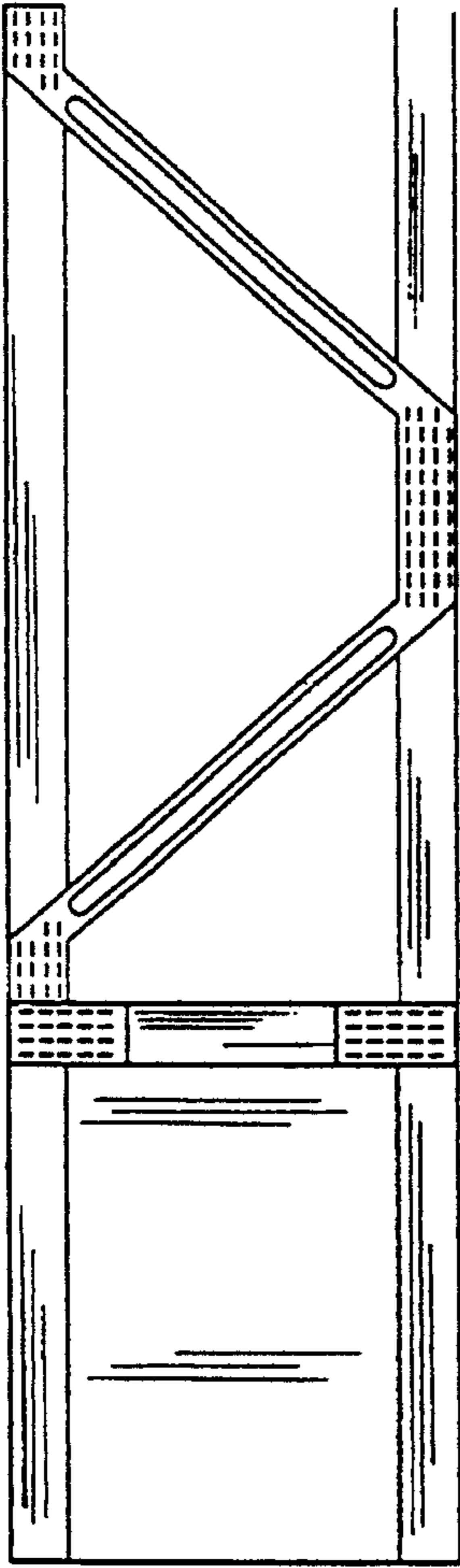


Figure 6.

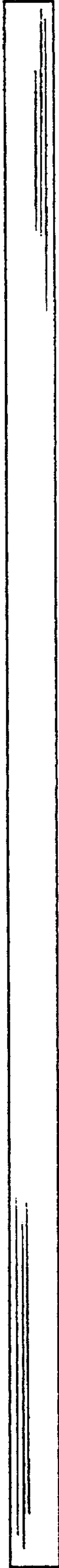


Figure 3.

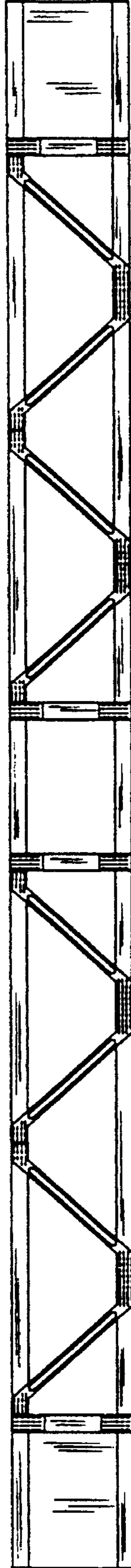


Figure 5.



Figure 2.

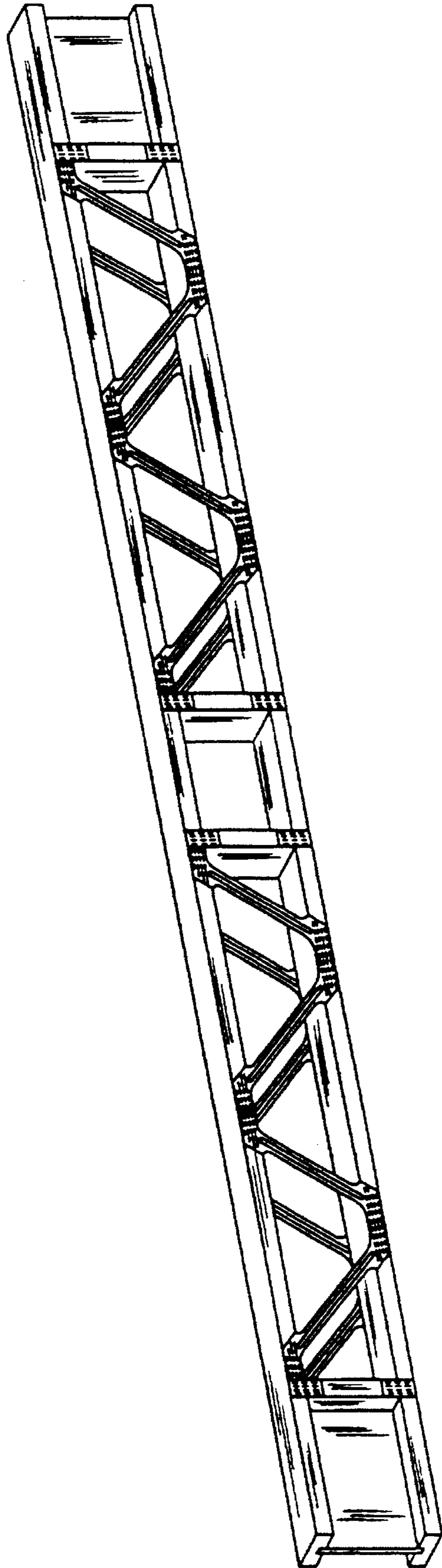


Figure 4.