



US00D374291S

United States Patent [19]

Harbeke et al.

[11] Patent Number: **Des. 374,291**

[45] Date of Patent: ****Oct. 1, 1996**

[54] **CEILING SUPPORT FOR EXHIBITION CONSTRUCTION SYSTEM**

4,970,833 11/1990 Porter 52/93.1
5,012,938 5/1991 King 211/191

[75] Inventors: **Christian Harbeke; Ruedi A. Müller,**
both of Zürich, Switzerland

Primary Examiner—Doris Clark
Attorney, Agent, or Firm—Goodman & Teitelbaum, Esqs.

[73] Assignee: **Expotechnik Heinz Soschinski GmbH,**
Taufkirchen, Germany

[57] **CLAIM**

[**] Term: **14 Years**

The ornamental design for a ceiling support for exhibition construction system, as shown and described.

[21] Appl. No.: **13,558**

DESCRIPTION

[22] Filed: **Sep. 27, 1993**

[52] U.S. Cl. **D25/61**

[58] Field of Search D25/126-127,
D25/61; 211/191; 52/93.1, 243.1, 300-301,
720, 726.2, 745.17, 792.1, 272, 223.4, 274,
275, 282.3, 456.1, 736.2

FIG. 1 is a fragmented front perspective view of a ceiling support for exhibition construction system, showing our new design;

FIG. 2 is a fragmented enlarged top plan view thereof;

FIG. 3 is a fragmented enlarged bottom plan view thereof;

FIG. 4 is a fragmented enlarged right side elevational view thereof;

FIG. 5 is a fragmented enlarged left side elevational view thereof;

FIG. 6 is a fragmented enlarged front elevational view thereof; and,

FIG. 7 is a fragmented enlarged rear elevational view thereof.

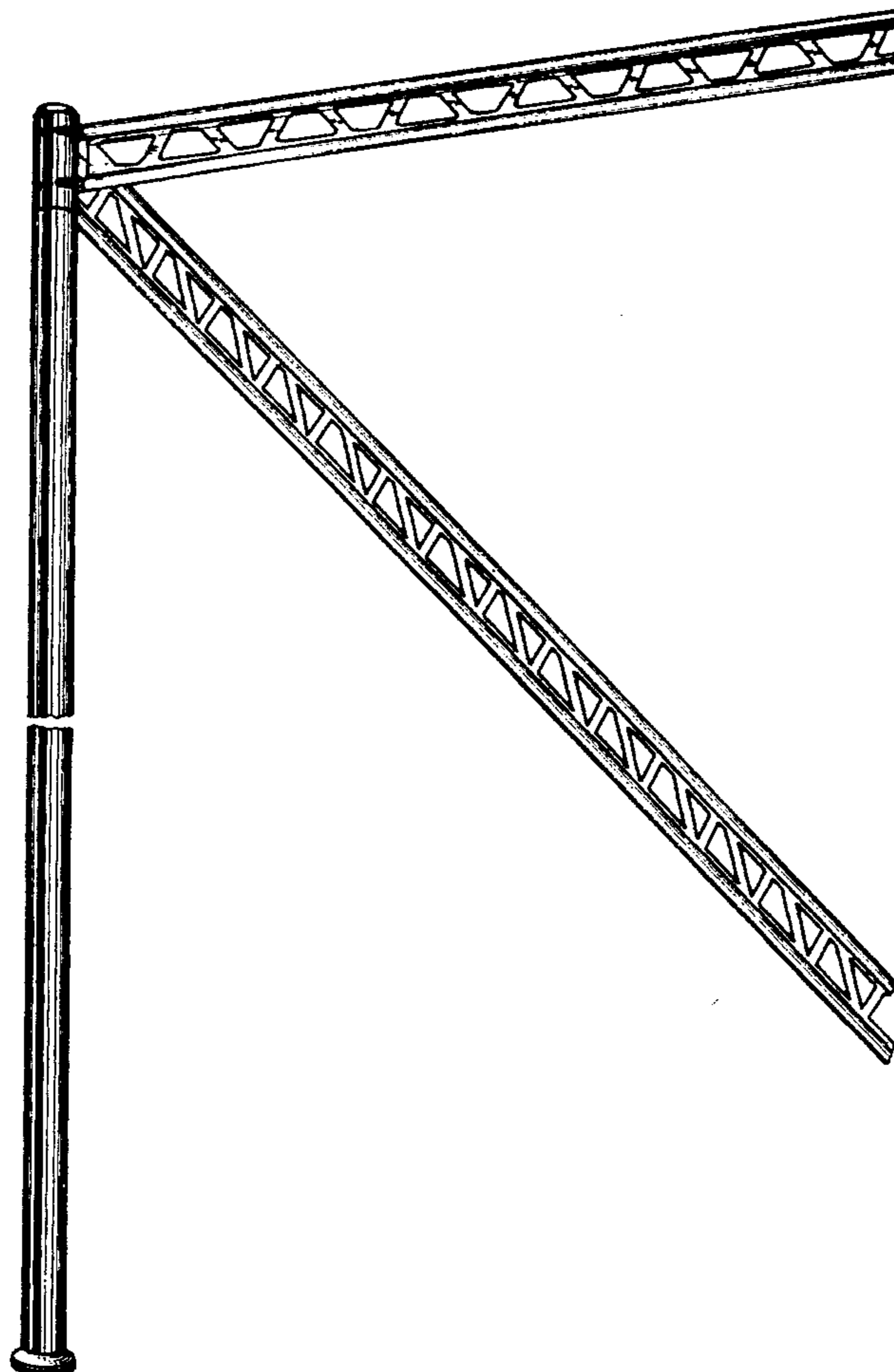
The ceiling support for exhibition construction system is shown fragmented on the end and broken away in the center to indicate indeterminate length.

[56] **References Cited**

U.S. PATENT DOCUMENTS

D. 189,022	10/1960	Feffer, Jr.	D25/127
3,777,426	12/1973	Weiner	52/274
3,823,523	7/1974	Wells	52/645
4,030,256	6/1977	Ollman	D25/61
4,088,229	5/1978	Jacoby et al.	211/191
4,260,293	4/1981	Peterson	52/792.1
4,569,501	2/1986	McCracken	52/645

1 Claim, 7 Drawing Sheets



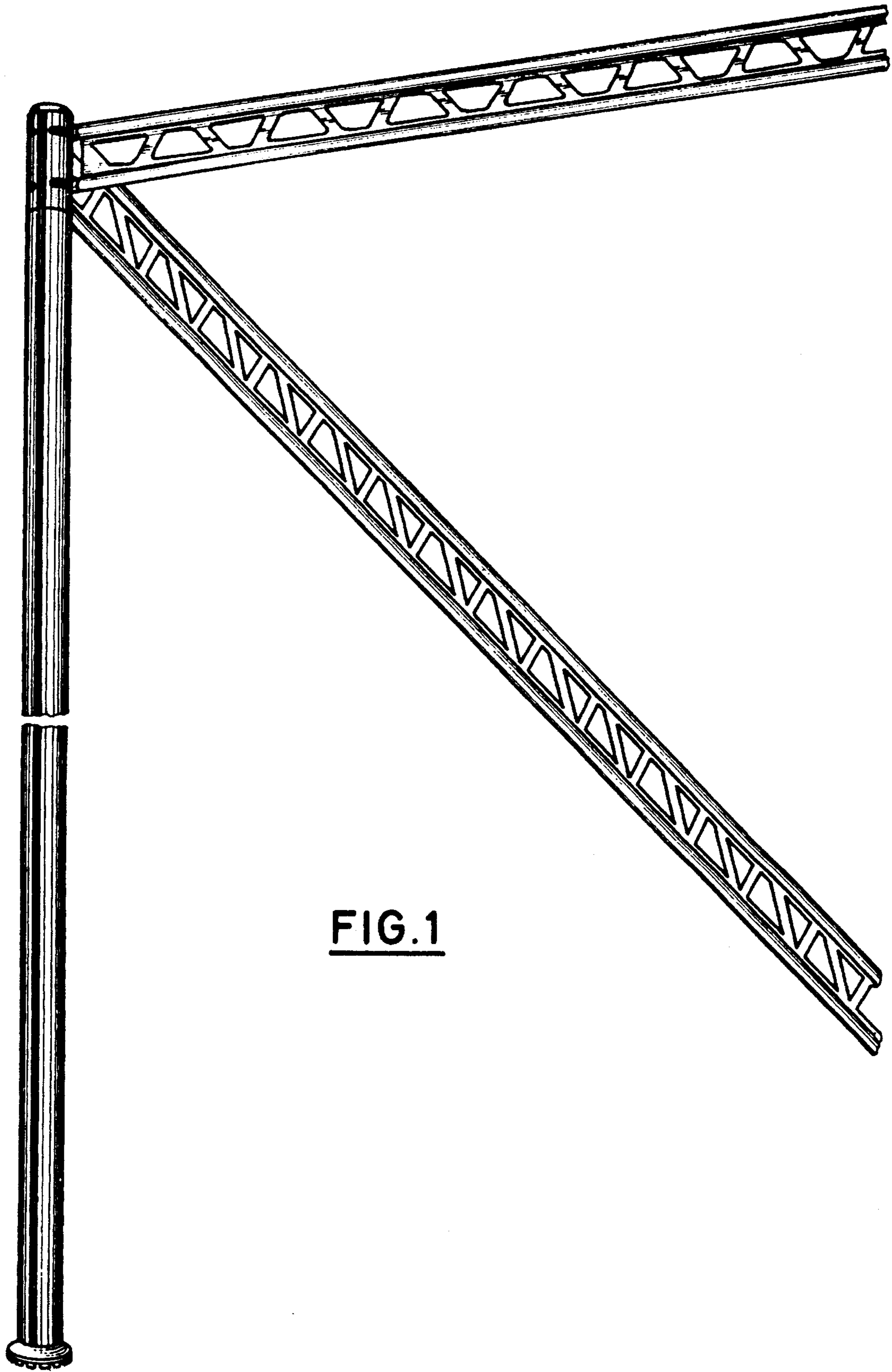


FIG. 1

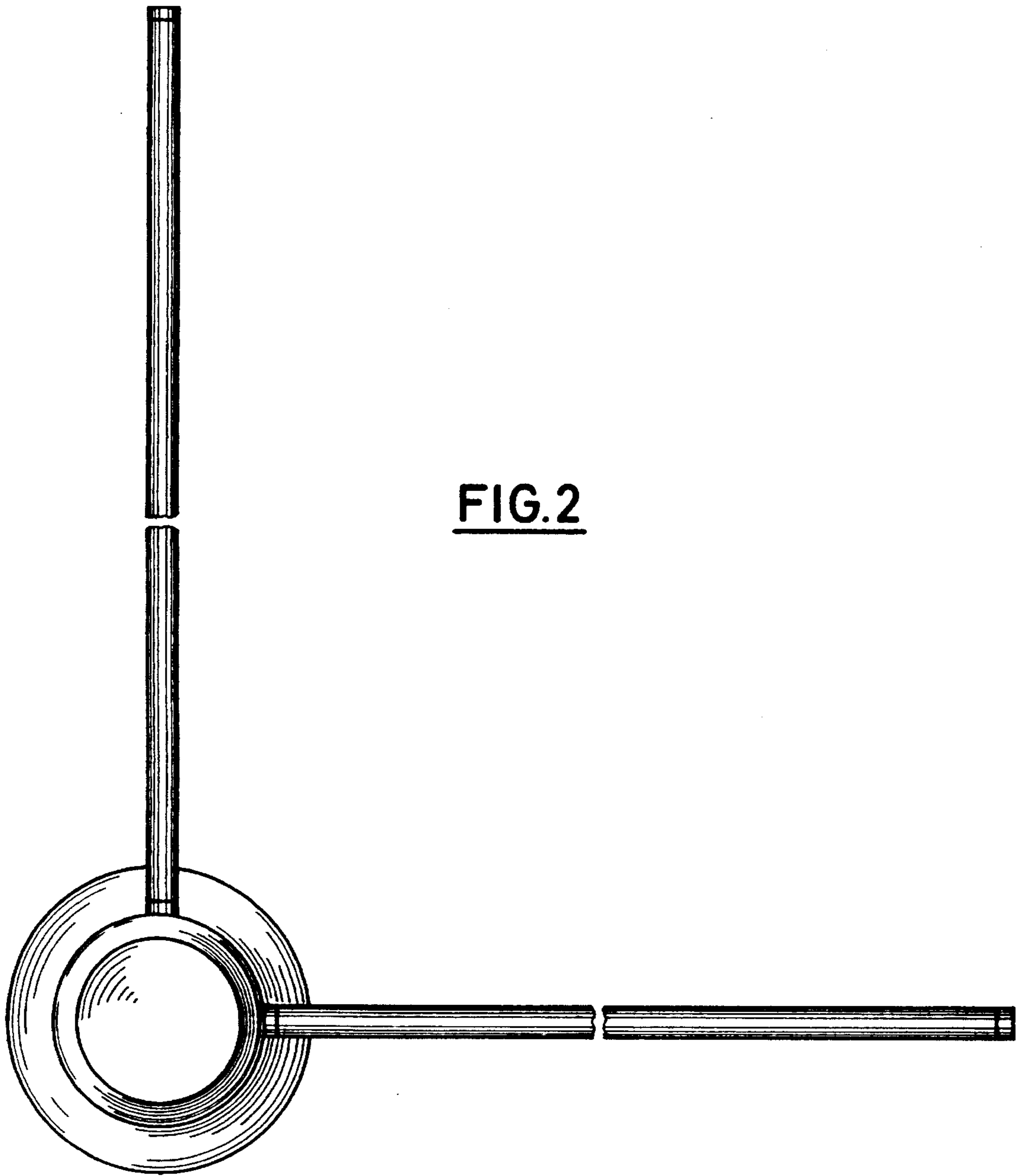


FIG. 2

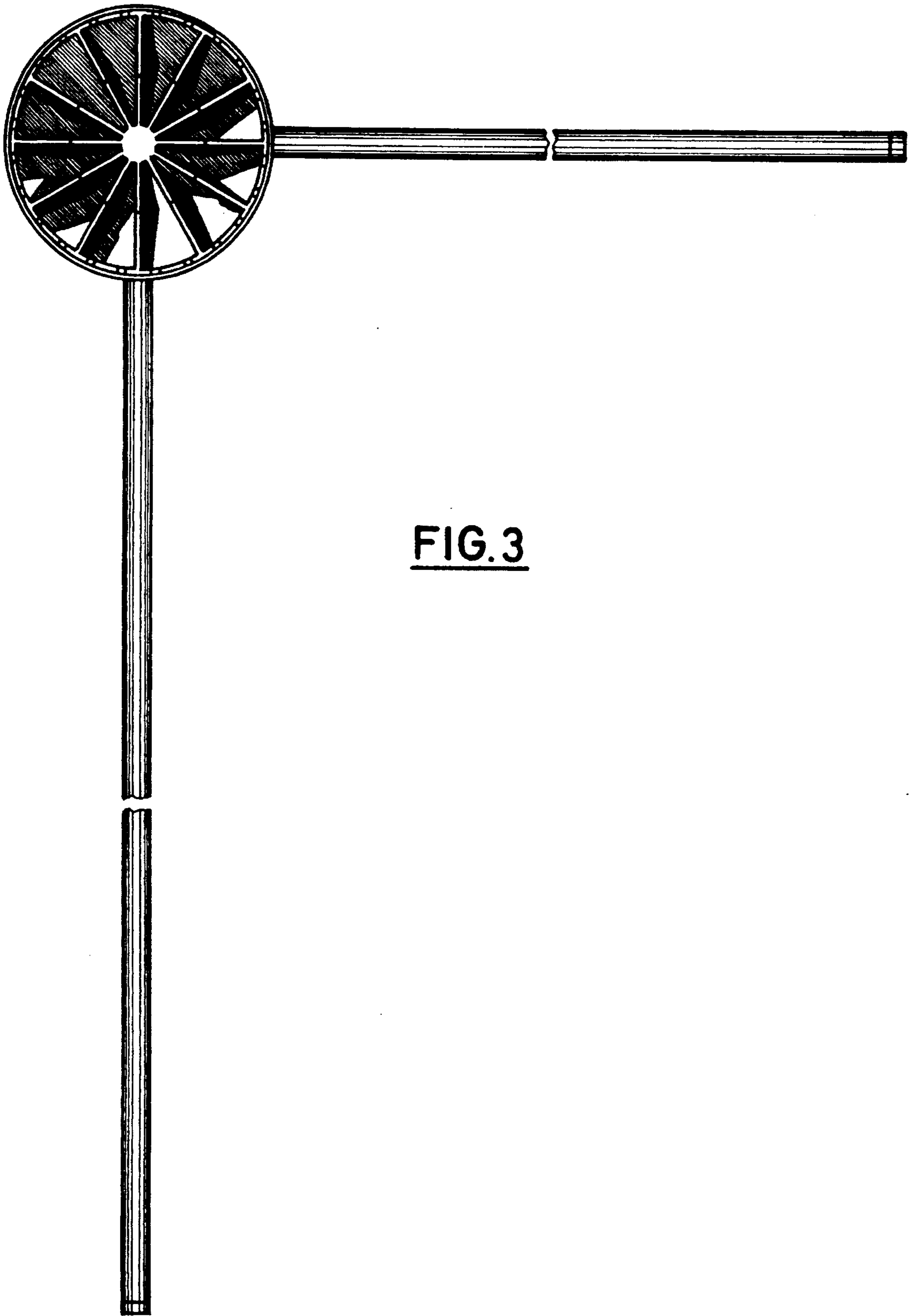


FIG. 3

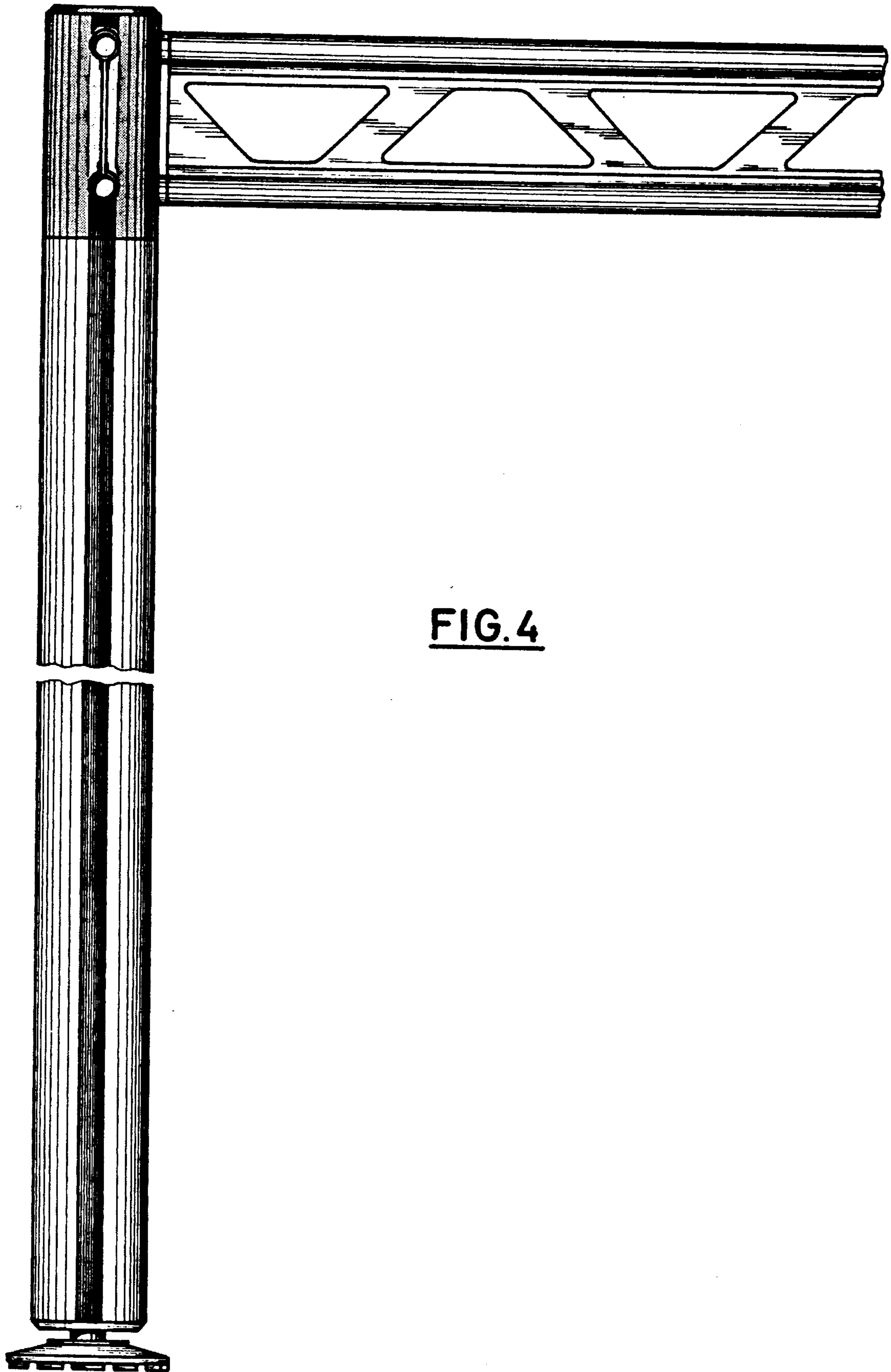


FIG. 4

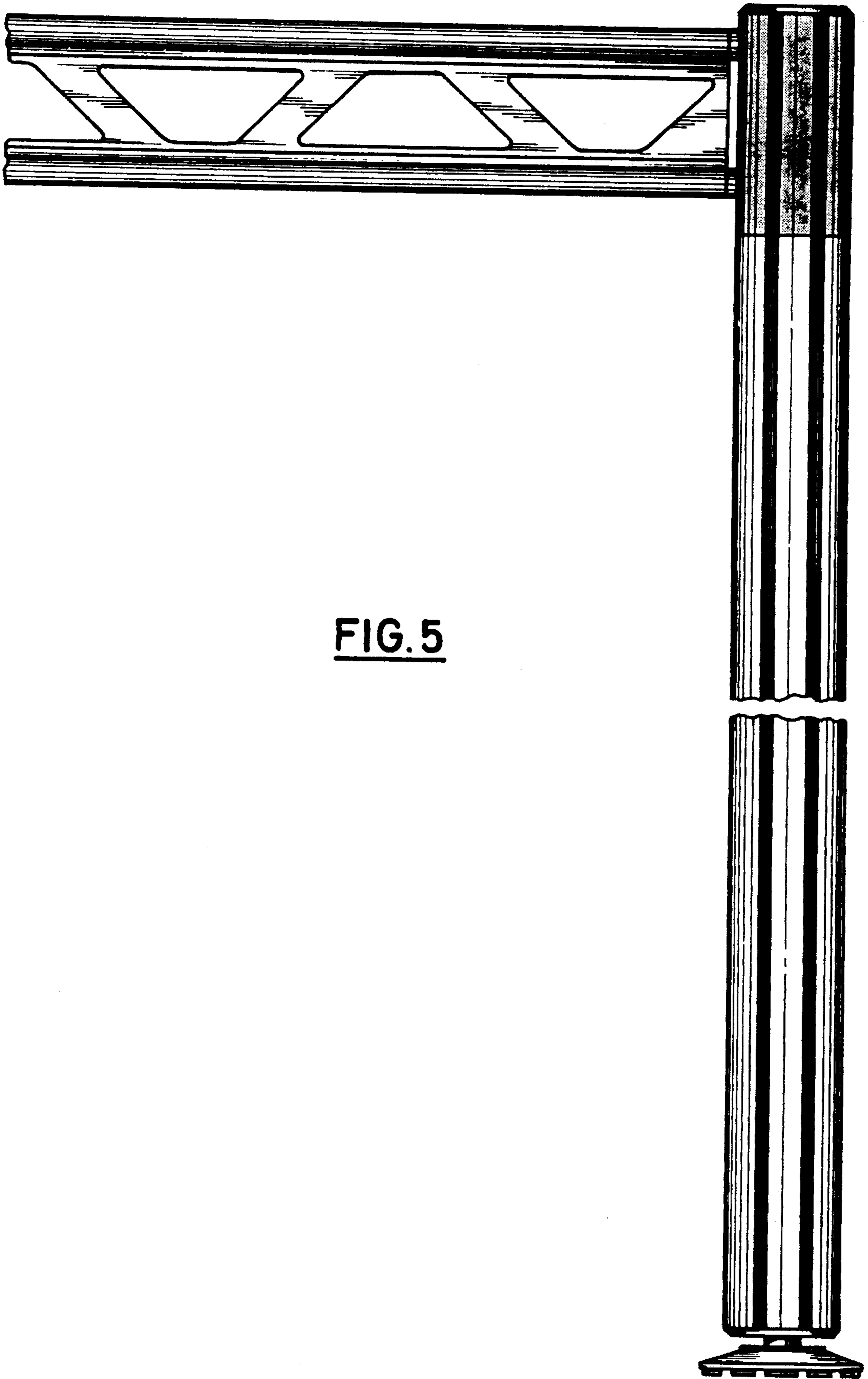


FIG. 5

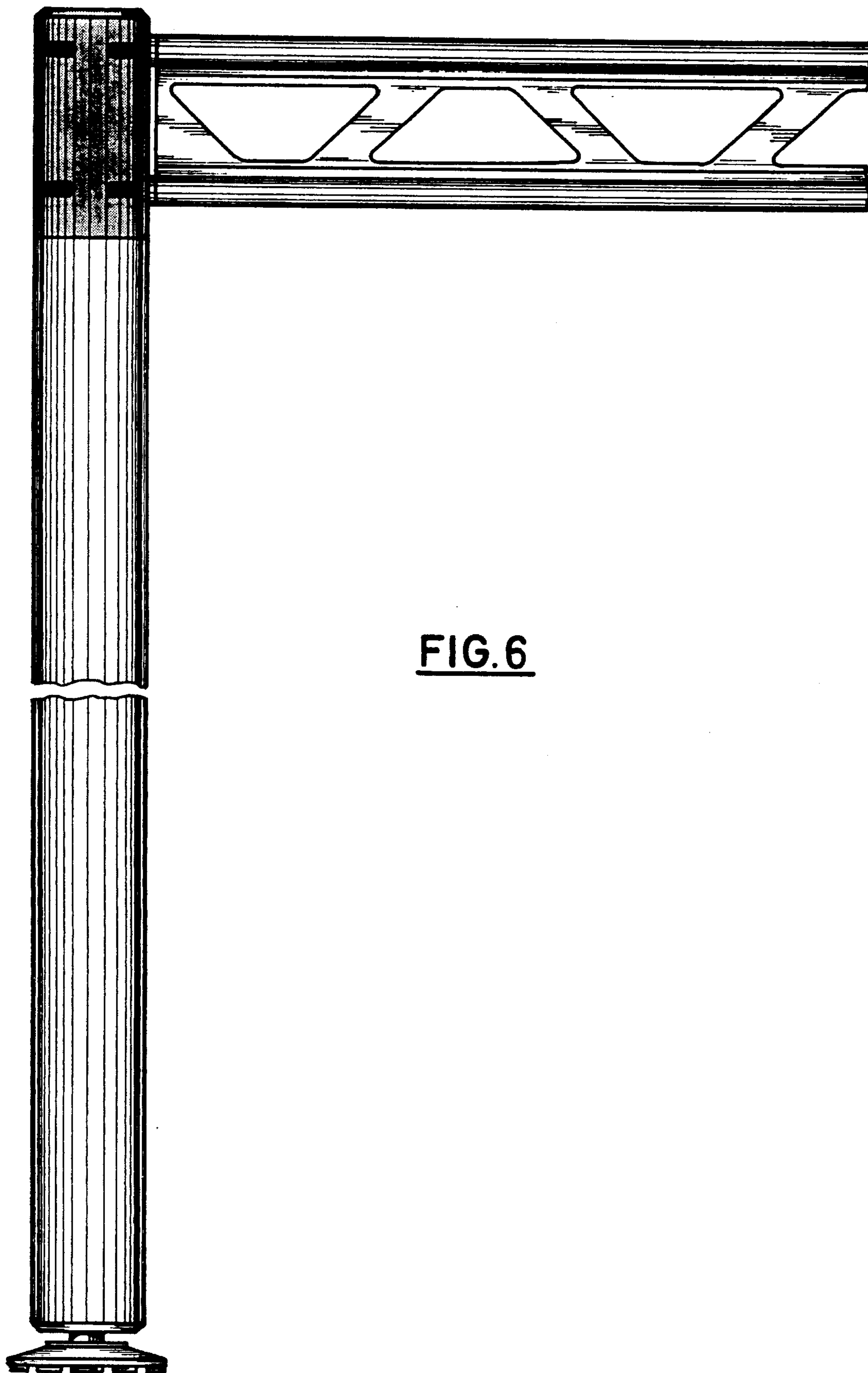


FIG. 6

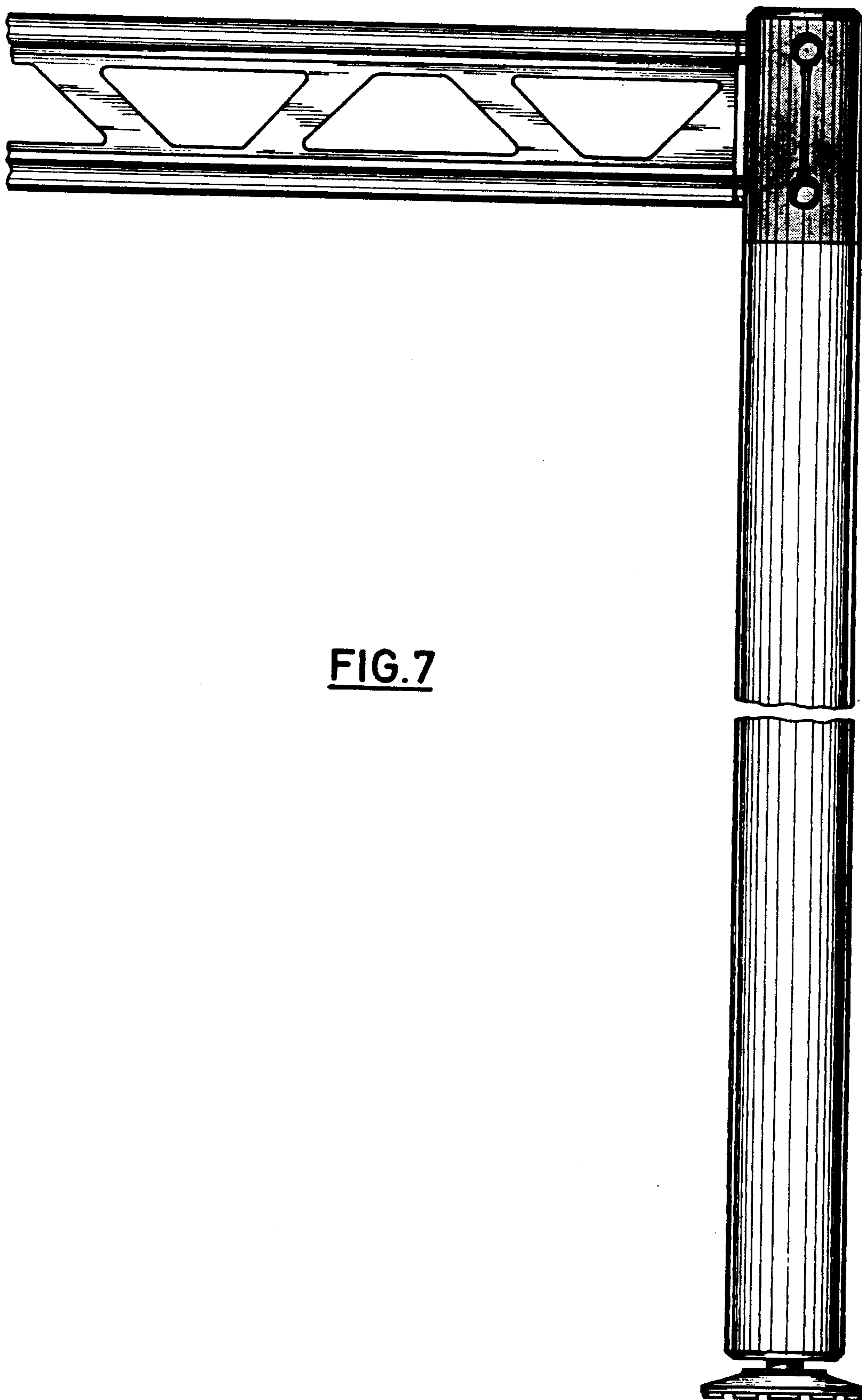


FIG. 7