



US00D374290S

United States Patent [19] VanDeusen

[11] Patent Number: **Des. 374,290**

[45] Date of Patent: ****Oct. 1, 1996**

[54] **BELL TOWER SHELTER**

2,176,712 10/1939 Hanson D25/56 X
3,503,167 3/1970 Mackle D25/16 X

[75] Inventor: **Gary VanDeusen**, Hillsdale, Mich.

Primary Examiner—Doris V. Coles
Attorney, Agent, or Firm—Beaman & Beaman

[73] Assignee: **Recreation Creations, Inc.**, Hillsdale, Mich.

[57] **CLAIM**

[**] Term: **14 Years**

The ornamental design of a bell tower shelter, as shown and described.

[21] Appl. No.: **17,259**

DESCRIPTION

[22] Filed: **Jan. 10, 1994**

[52] U.S. Cl. **D25/6**

[58] Field of Search D25/6, 1, 56, 19,
D25/13, 14, 16; 52/80, 82, 79.8

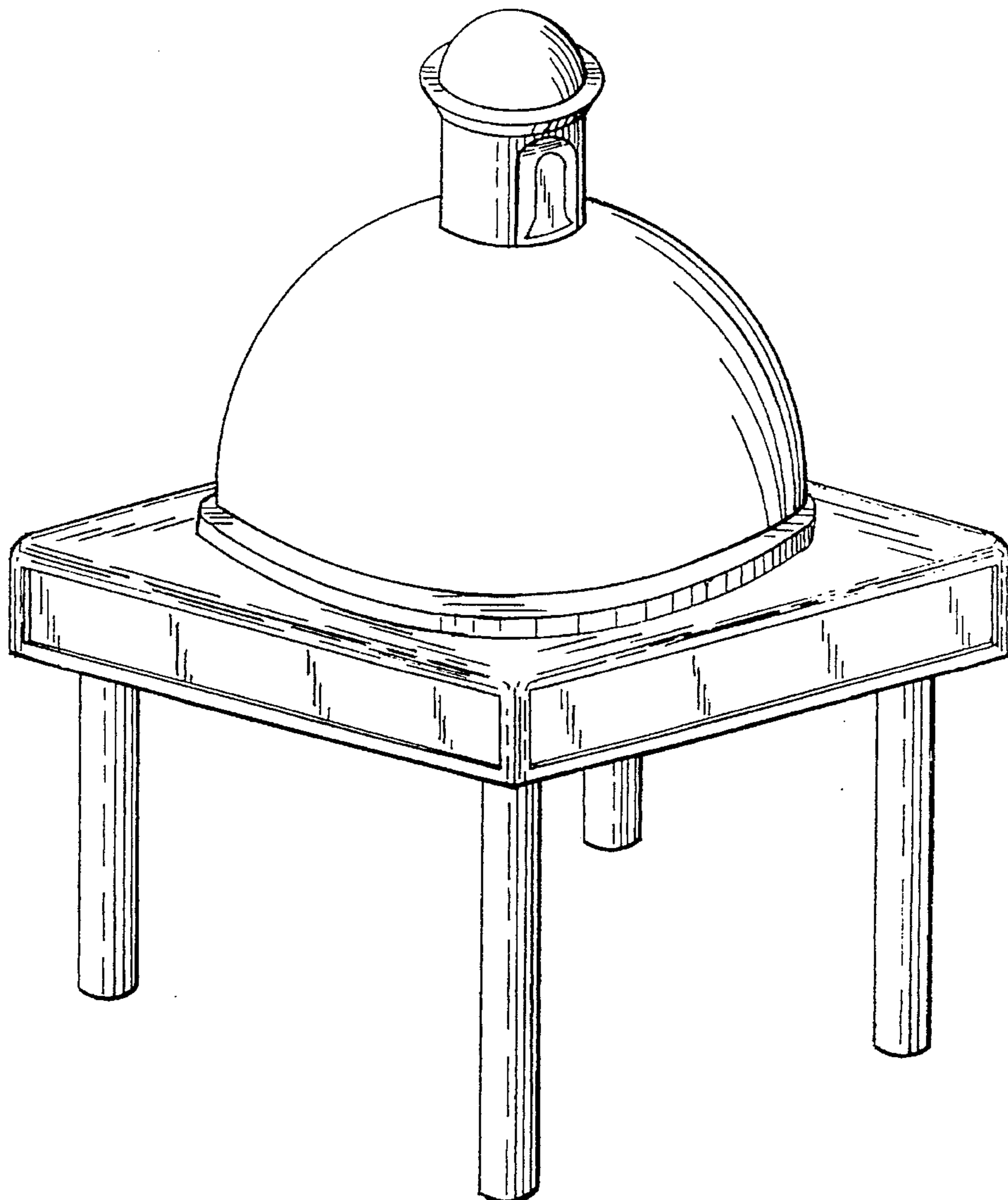
FIG. 1 is a perspective view of a bell tower shelter, showing my new design;
FIG. 2 is a top plan view, the bottom being plain and unadorned;
FIG. 3 is a front elevational view, the rear being a mirror image thereof; and,
FIG. 4 is a side elevational view, the opposite side being a mirror image thereof.

[56] **References Cited**

U.S. PATENT DOCUMENTS

- D. 191,699 11/1961 Tully D25/19
- D. 260,179 8/1981 Buck D25/19 X
- D. 283,443 4/1986 Younes D25/1 X

1 Claim, 2 Drawing Sheets



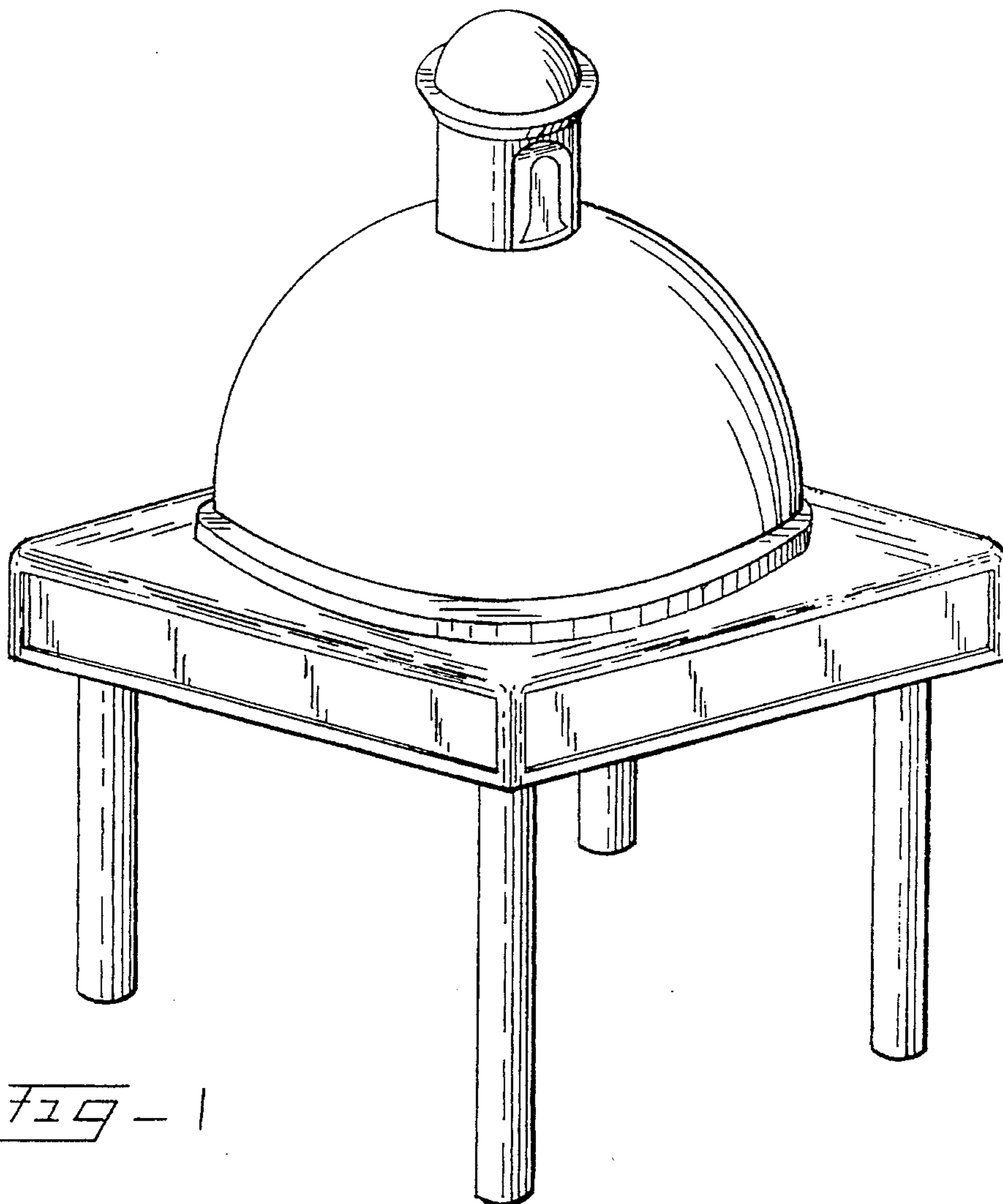


FIG-1

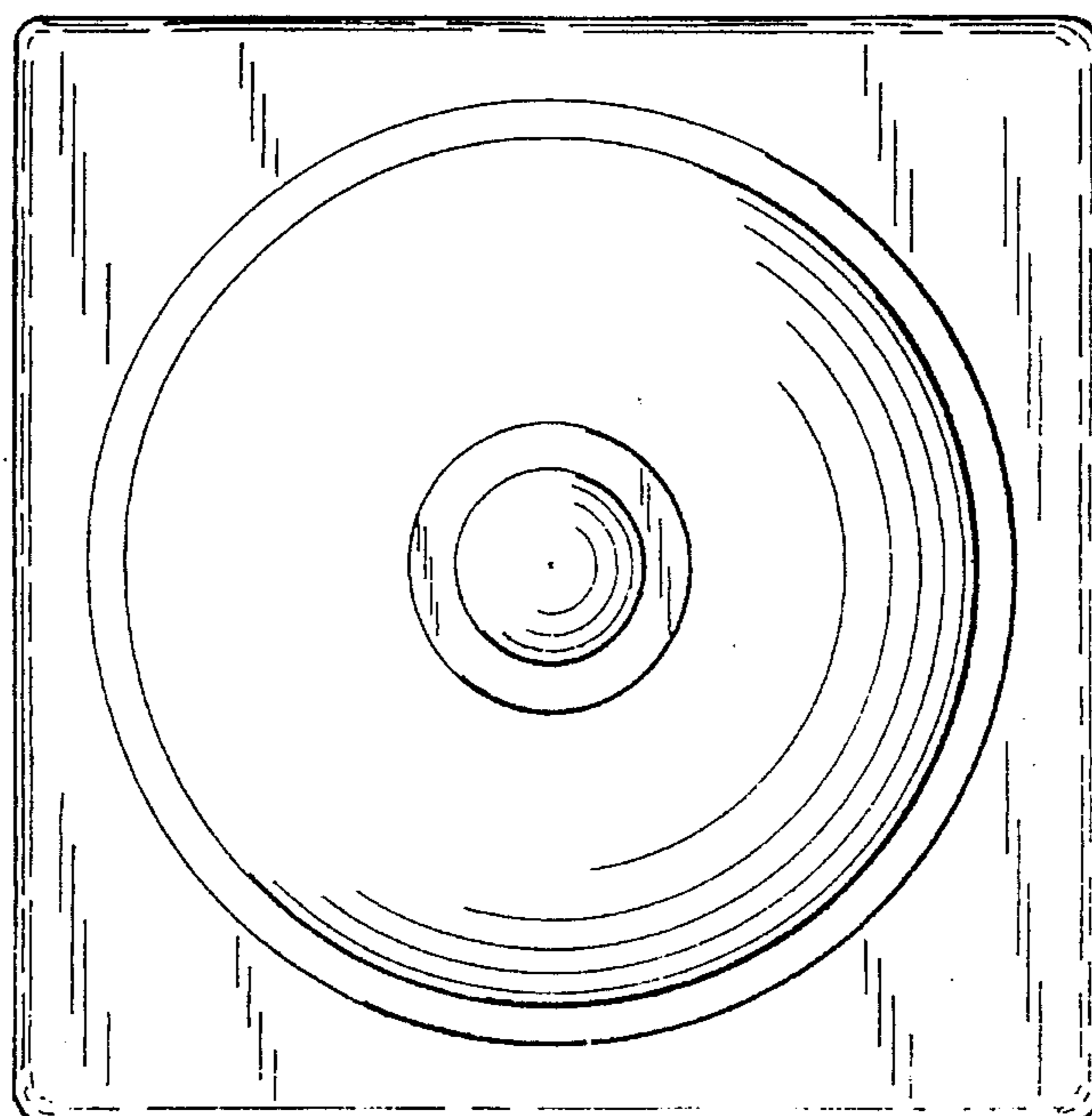


FIG-2

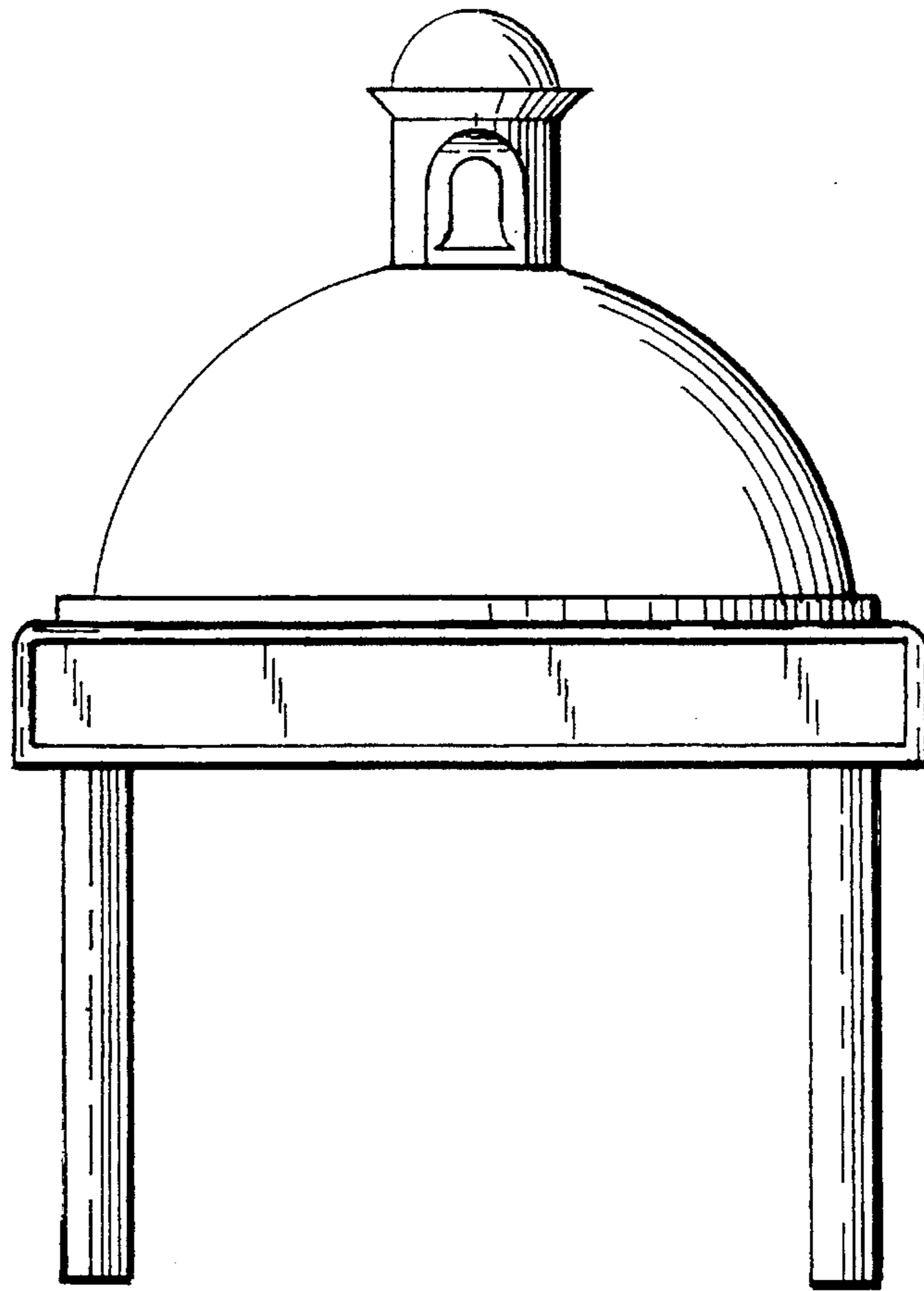


Fig-3

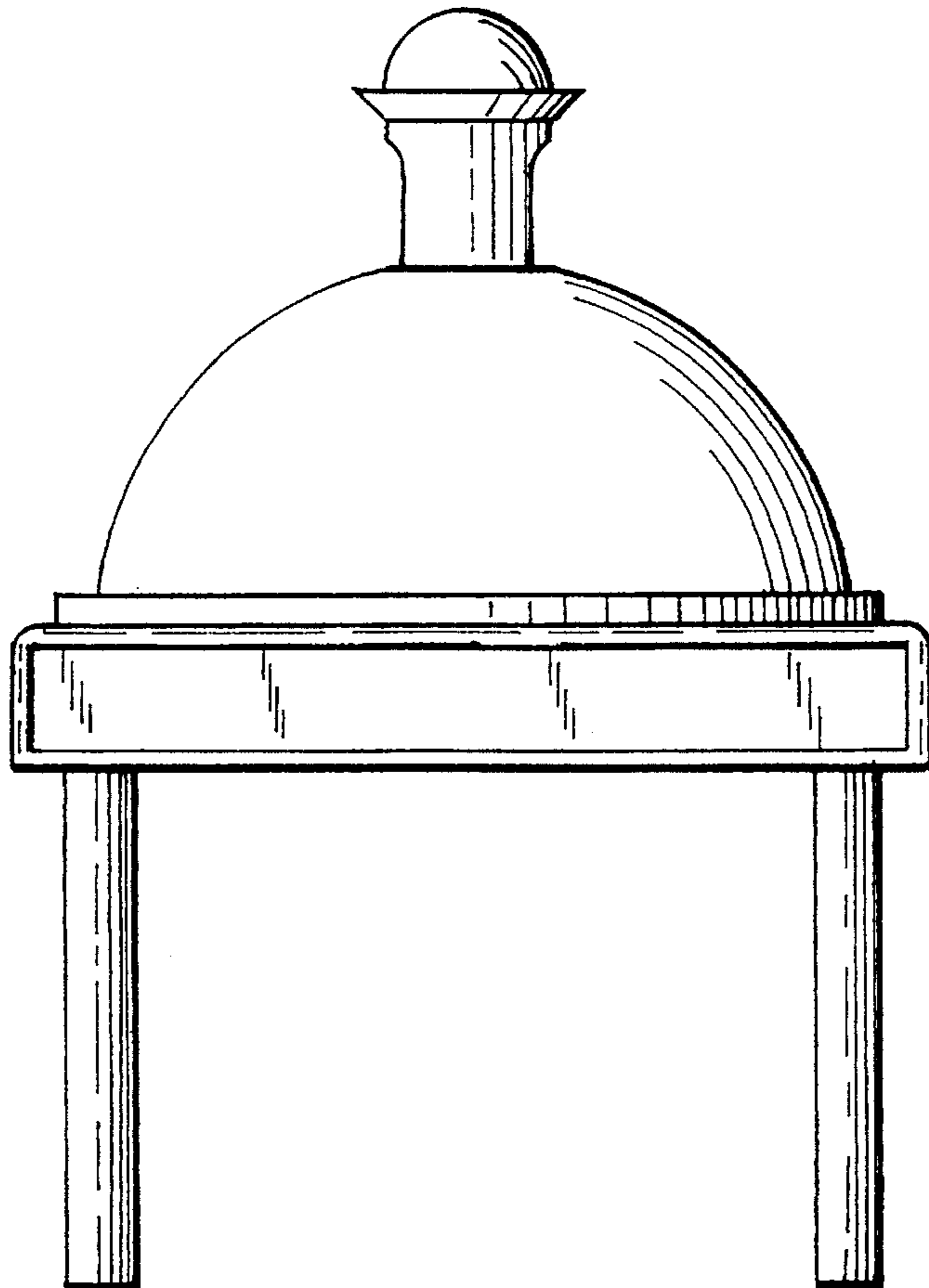


Fig-4