



US00D374278S

# United States Patent [19] Ganor

[11] Patent Number: **Des. 374,278**

[45] Date of Patent: **\*\*Oct. 1, 1996**

[54] **AIR PURIFIER**

D. 338,715 8/1993 Ganor ..... D23/364  
D. 344,791 3/1994 Cuning ..... D23/364

[75] Inventor: **Michael Ganor**, Kfar Saba, Israel

*Primary Examiner*—Lisa P. Lichtenstein  
*Attorney, Agent, or Firm*—Nixon & Vanderhye

[73] Assignee: **Amron Ltd.**, Tel Aviv, Israel

[\*\*] Term: **14 Years**

### [57] CLAIM

[21] Appl. No.: **35,503**

The ornamental design for an air purifier, as shown.

[22] Filed: **Feb. 28, 1995**

### DESCRIPTION

[52] U.S. Cl. .... **D23/364**

FIG. 1 is a top, front and right side perspective view of an air purifier according to my design;

[58] Field of Search ..... D23/364, 365,  
D23/337, 335, 332, 328; 422/168; 312/236;  
55/472

FIG. 2 is a top plan view thereof;

FIG. 3 is a front elevational view thereof;

FIG. 4 is a rear elevational view thereof;

FIG. 5 is a right side elevational view thereof; and,

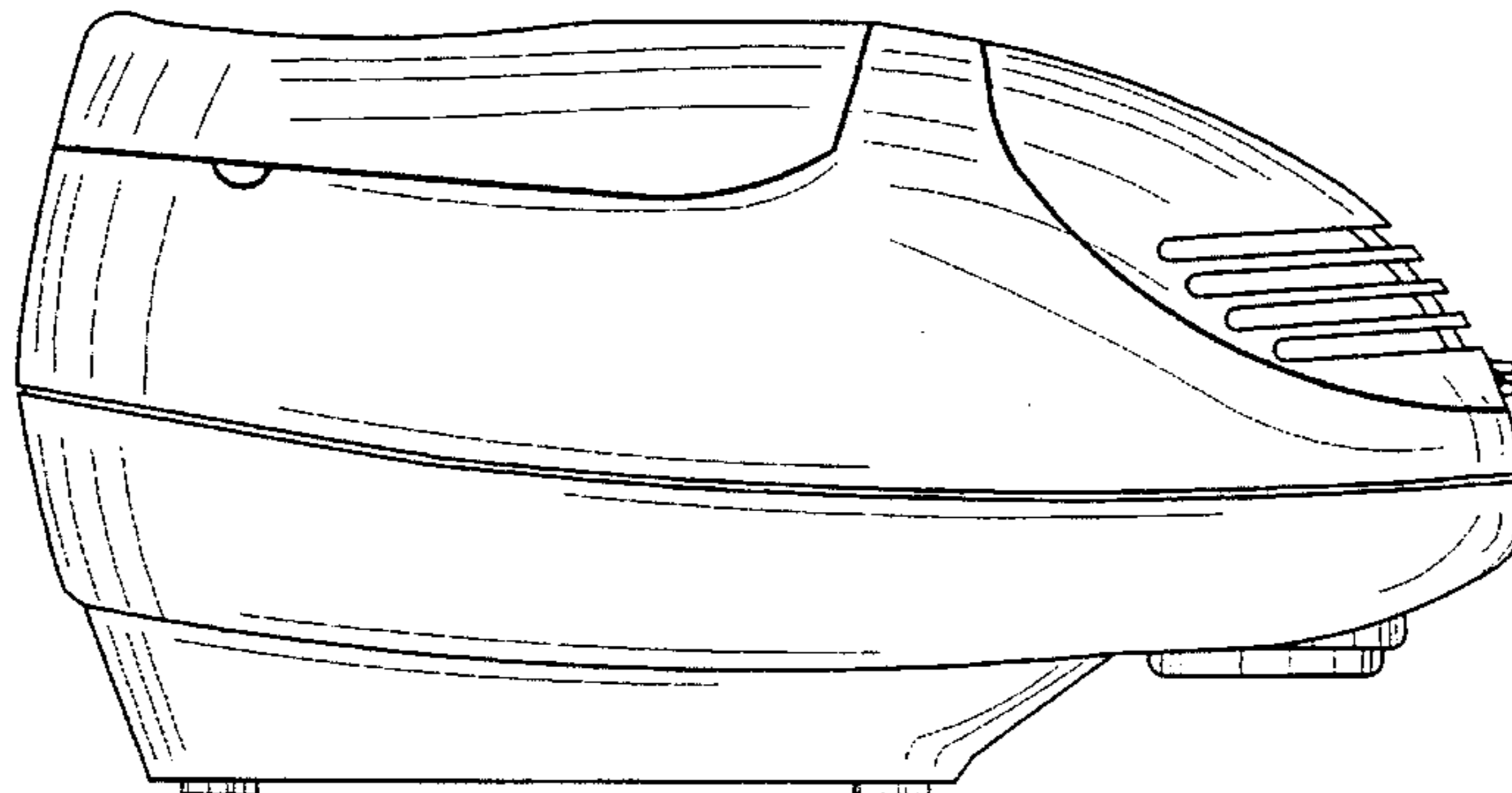
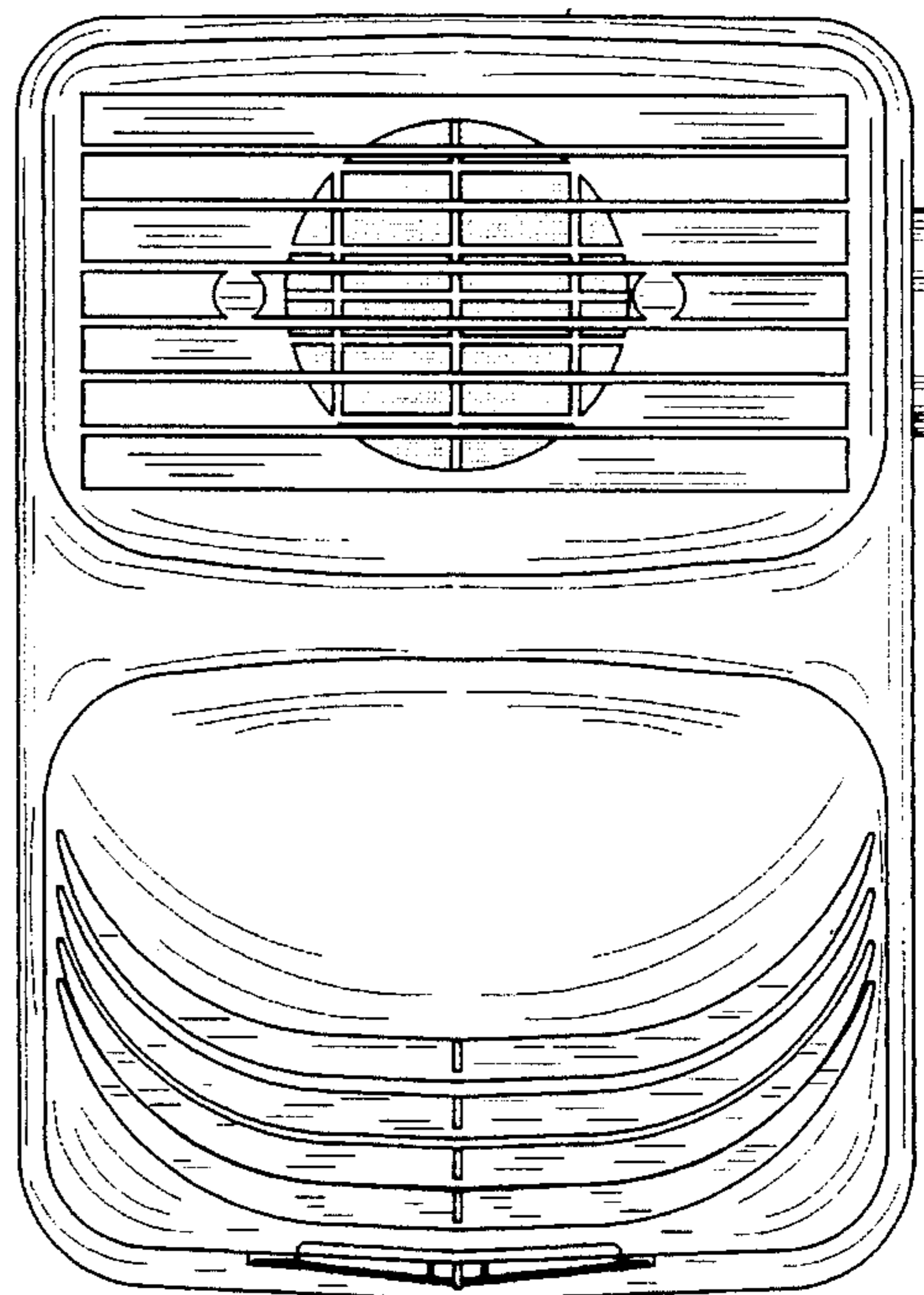
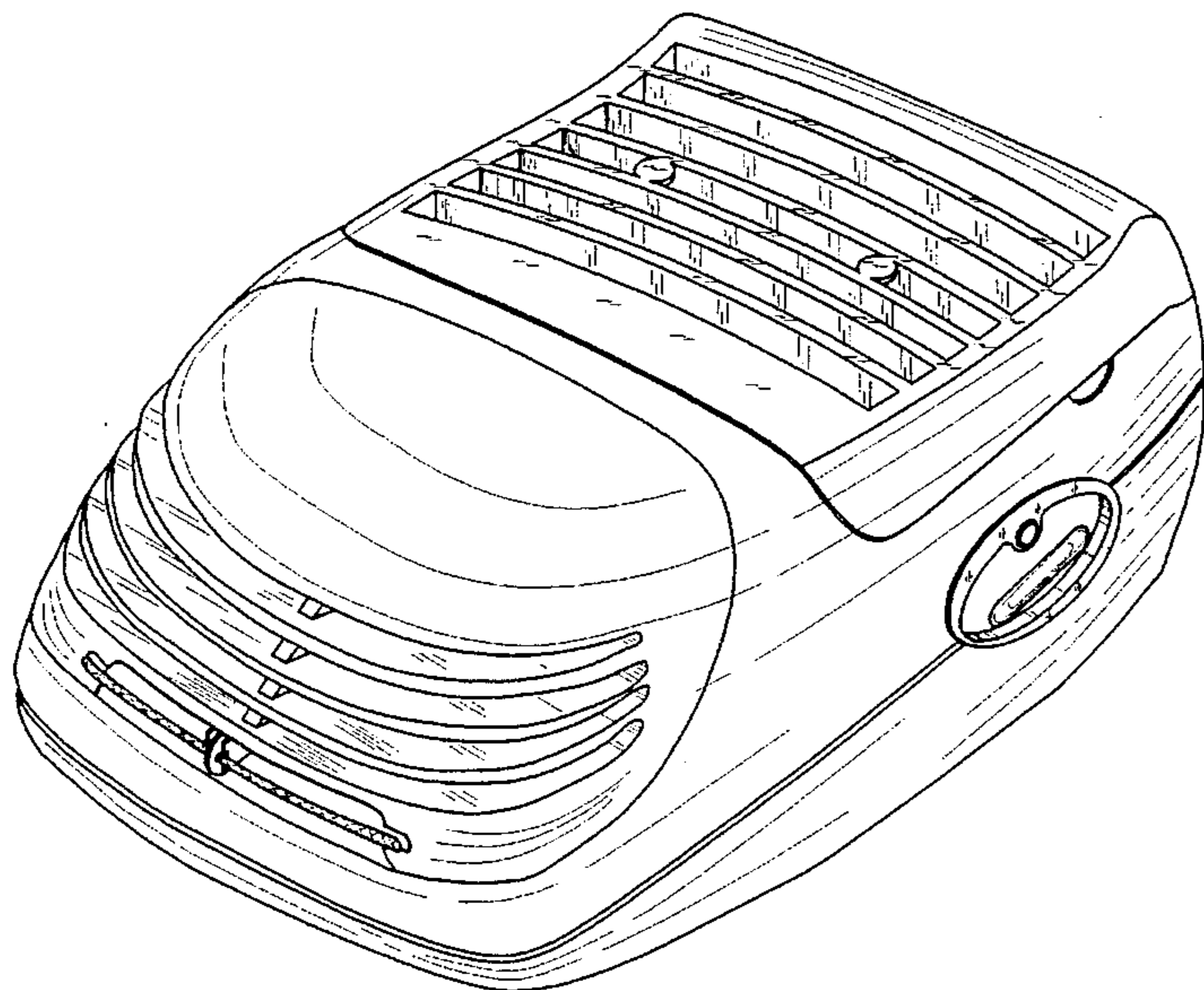
FIG. 6 is a left side view thereof.

### [56] References Cited

#### U.S. PATENT DOCUMENTS

D. 274,552 7/1984 Yuen ..... D23/328  
D. 338,521 8/1993 Ganor ..... D23/364

**1 Claim, 6 Drawing Sheets**



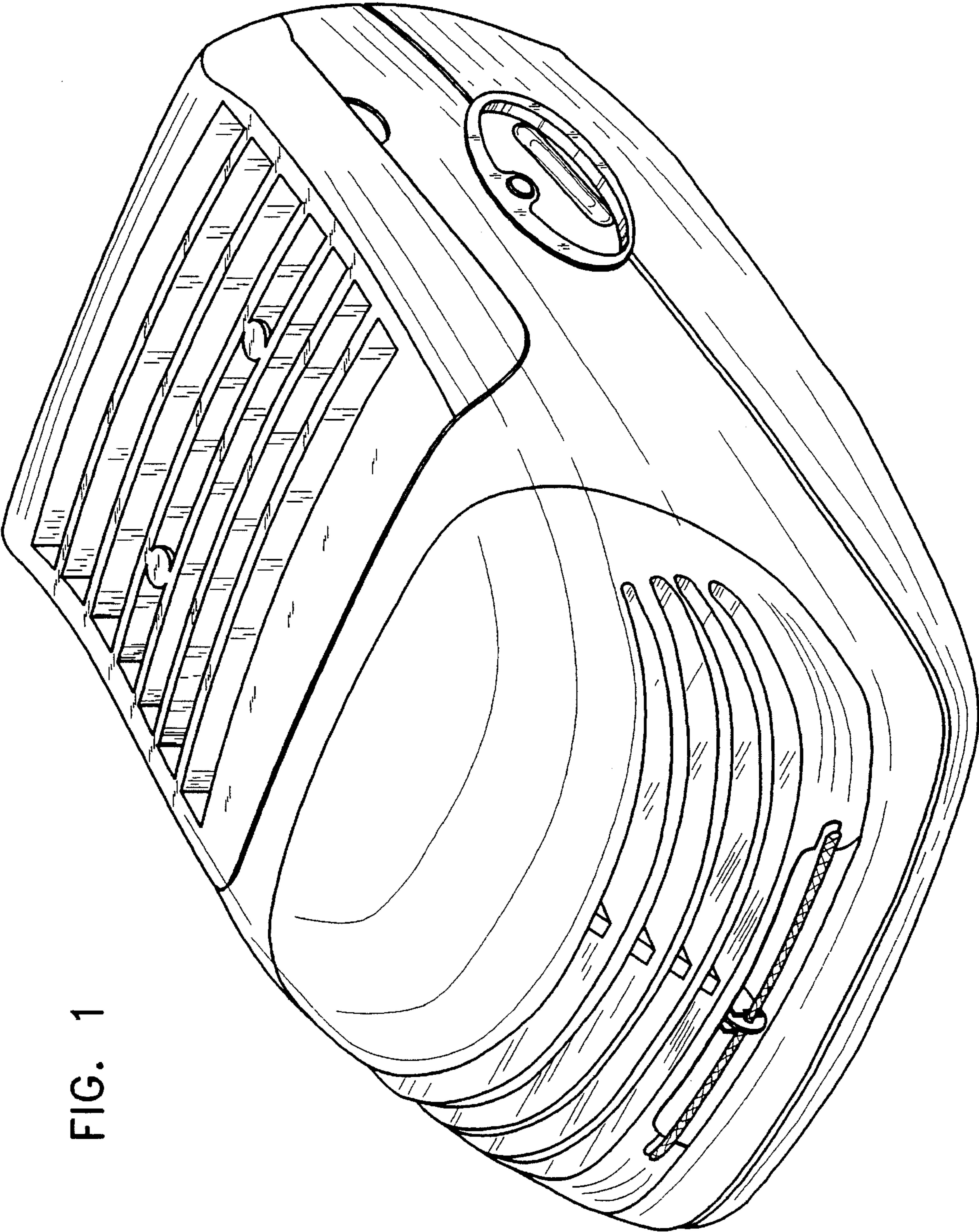


FIG. 1

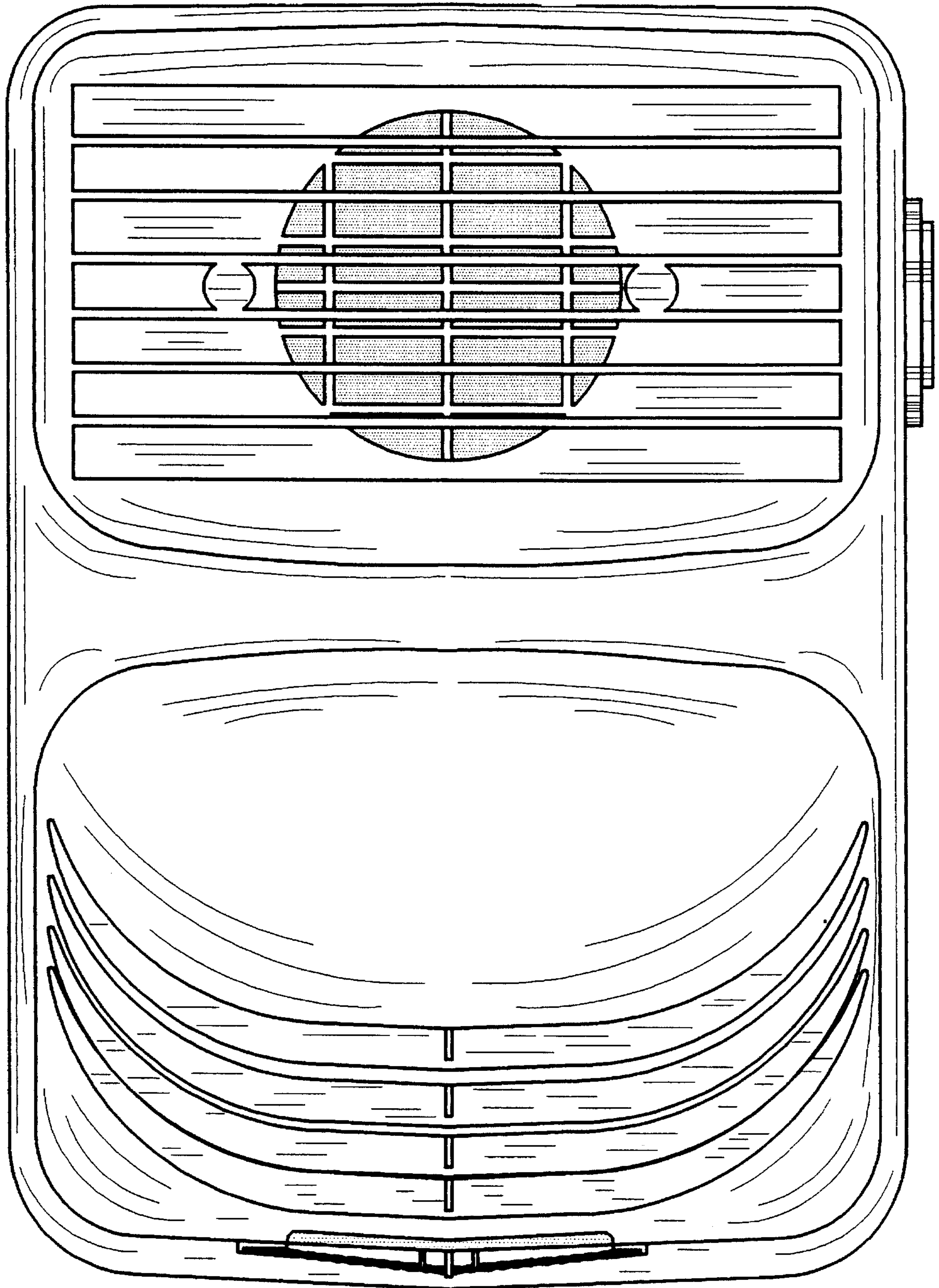


FIG. 2

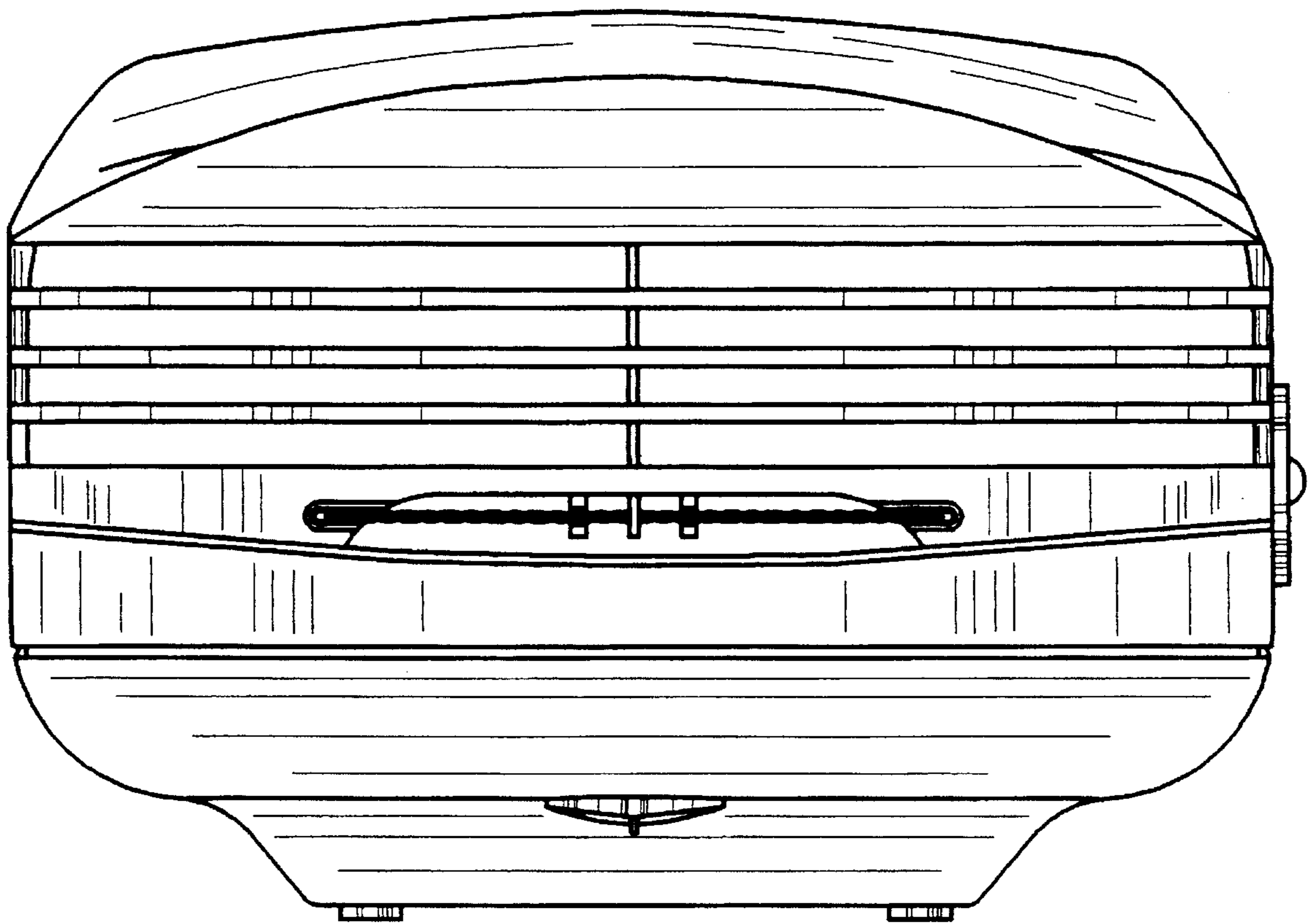


FIG. 3

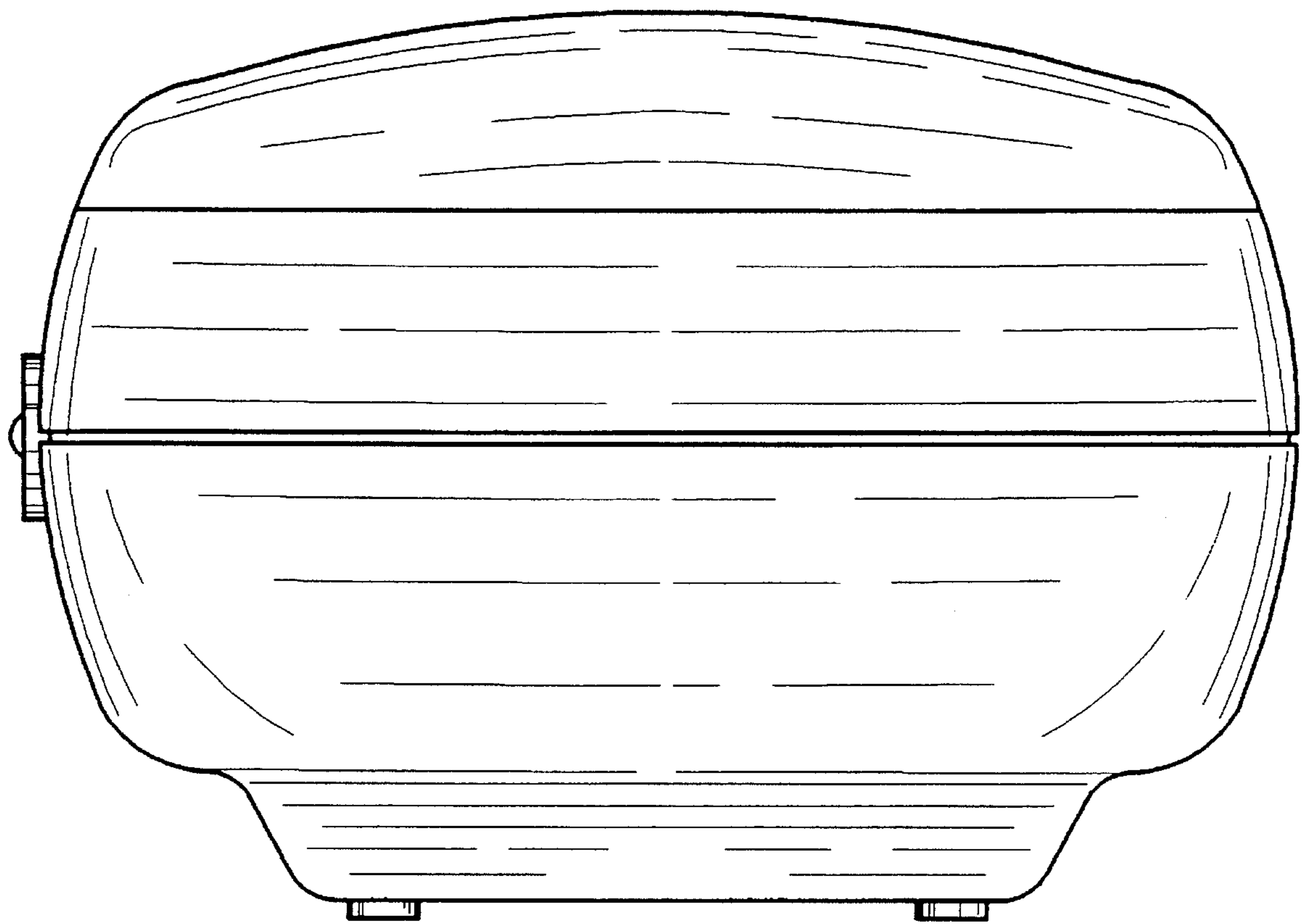


FIG. 4

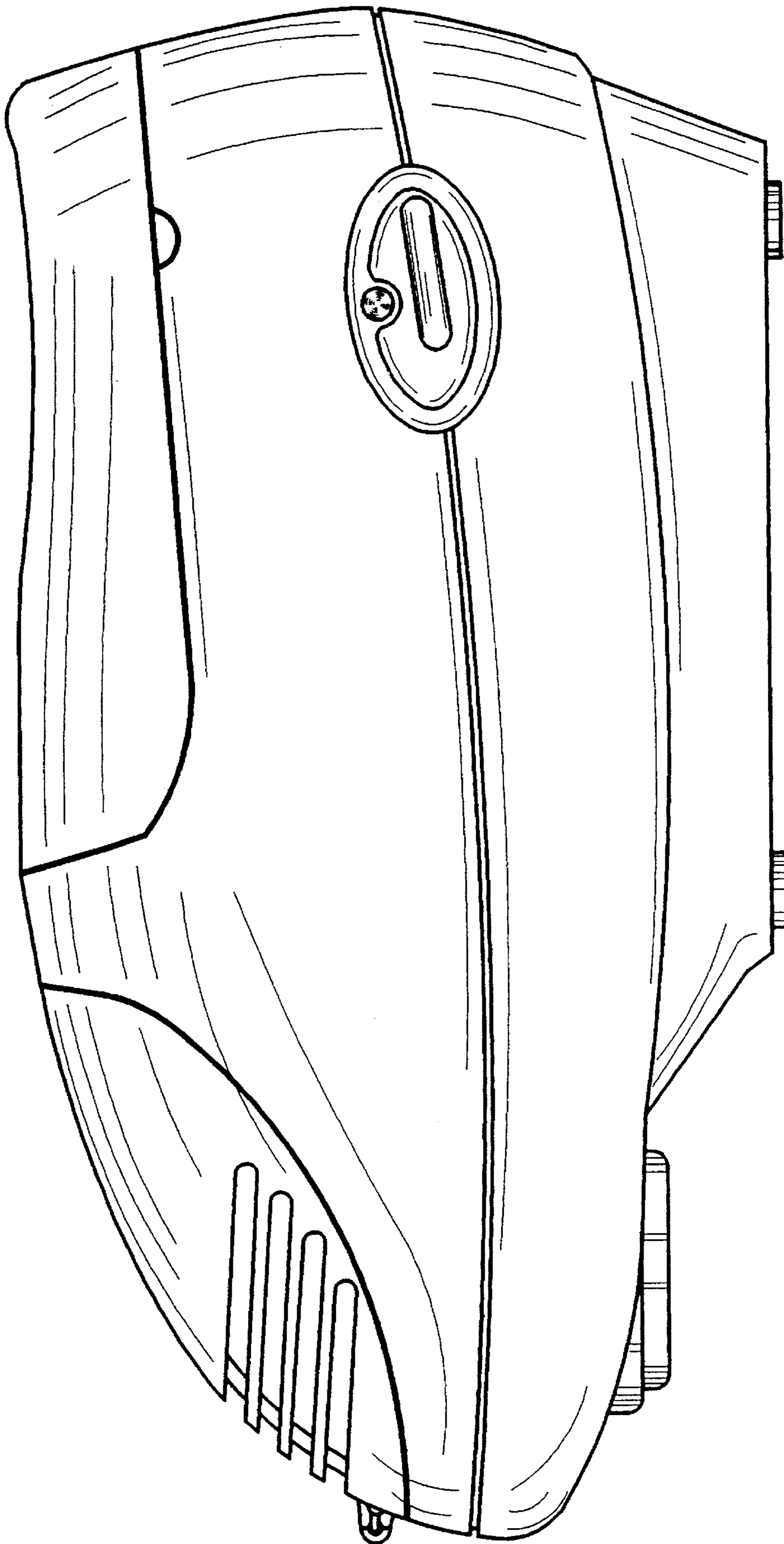


FIG. 5



FIG. 6