



US00D374275S

# United States Patent [19]

[11] Patent Number: **Des. 374,275**

**Doughty et al.**

[45] Date of Patent: **\*\*Oct. 1, 1996**

[54] FAUCET SET

D. 298,274	10/1988	Fabian	.....	D23/242
D. 301,918	7/1989	Fabian	.....	D23/242
D. 360,016	7/1995	Hsieh	.....	D23/242

[75] Inventors: **Frederic C. Doughty**, S. Pasadena;  
**Darren M. Mark**, Castaic, both of Calif.

*Primary Examiner*—Stella Reid  
*Assistant Examiner*—E. Watterson  
*Attorney, Agent, or Firm*—J. Bruce Hoofnagle

[73] Assignee: **Emhart Inc.**, Newark, Del.

[\*\*] Term: **14 Years**

[57] **CLAIM**

[21] Appl. No.: **44,372**

The ornamental design for faucet set, as shown and described.

[22] Filed: **Sep. 22, 1995**

[52] U.S. Cl. .... **D23/242**

[58] Field of Search ..... **D23/238-243,**  
**D23/250-257; 4/675-678; 137/801**

### DESCRIPTION

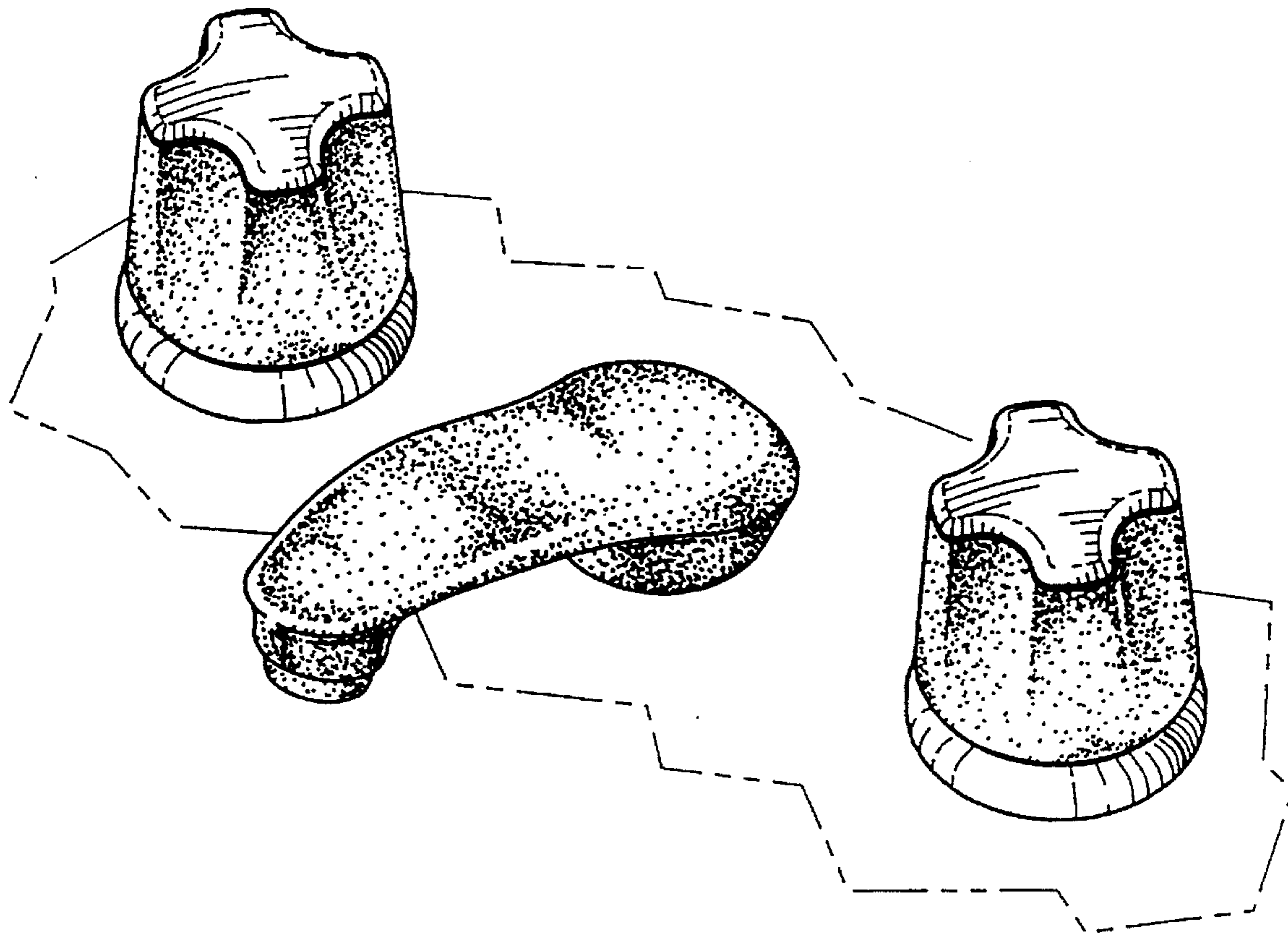
[56] **References Cited**

#### U.S. PATENT DOCUMENTS

- D. 176,447 12/1955 Cohen .
- D. 237,613 11/1975 Saporito et al. .
- D. 265,498 7/1982 Paul ..... D23/242
- D. 265,579 7/1982 Paul ..... D23/242
- D. 265,580 7/1982 Paul ..... D23/242
- D. 289,318 4/1987 Yost .
- D. 292,731 11/1987 Gomez .

FIG. 1 is a perspective view of a faucet set, showing my new design;  
 FIG. 2 is a front elevational view thereof;  
 FIG. 3 is a rear elevational view thereof;  
 FIG. 4 is a right side view, the opposite side being a mirror image thereof;  
 FIG. 5 is a top plan view thereof; and,  
 FIG. 6 is a bottom plan view thereof.  
 The broken line showing is for illustrative purposes only and forms no part of the claimed design.

**1 Claim, 3 Drawing Sheets**



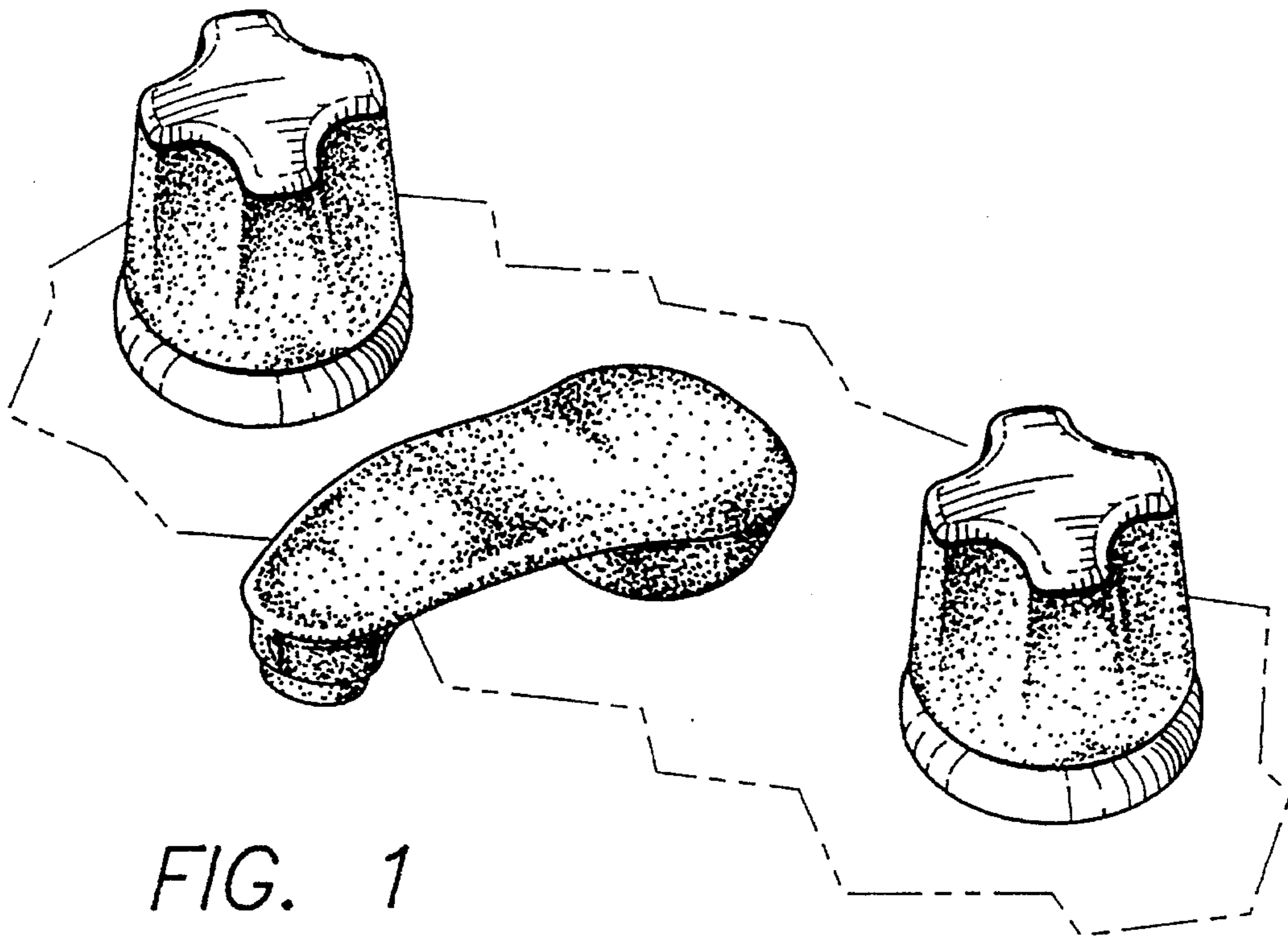


FIG. 1

FIG. 2

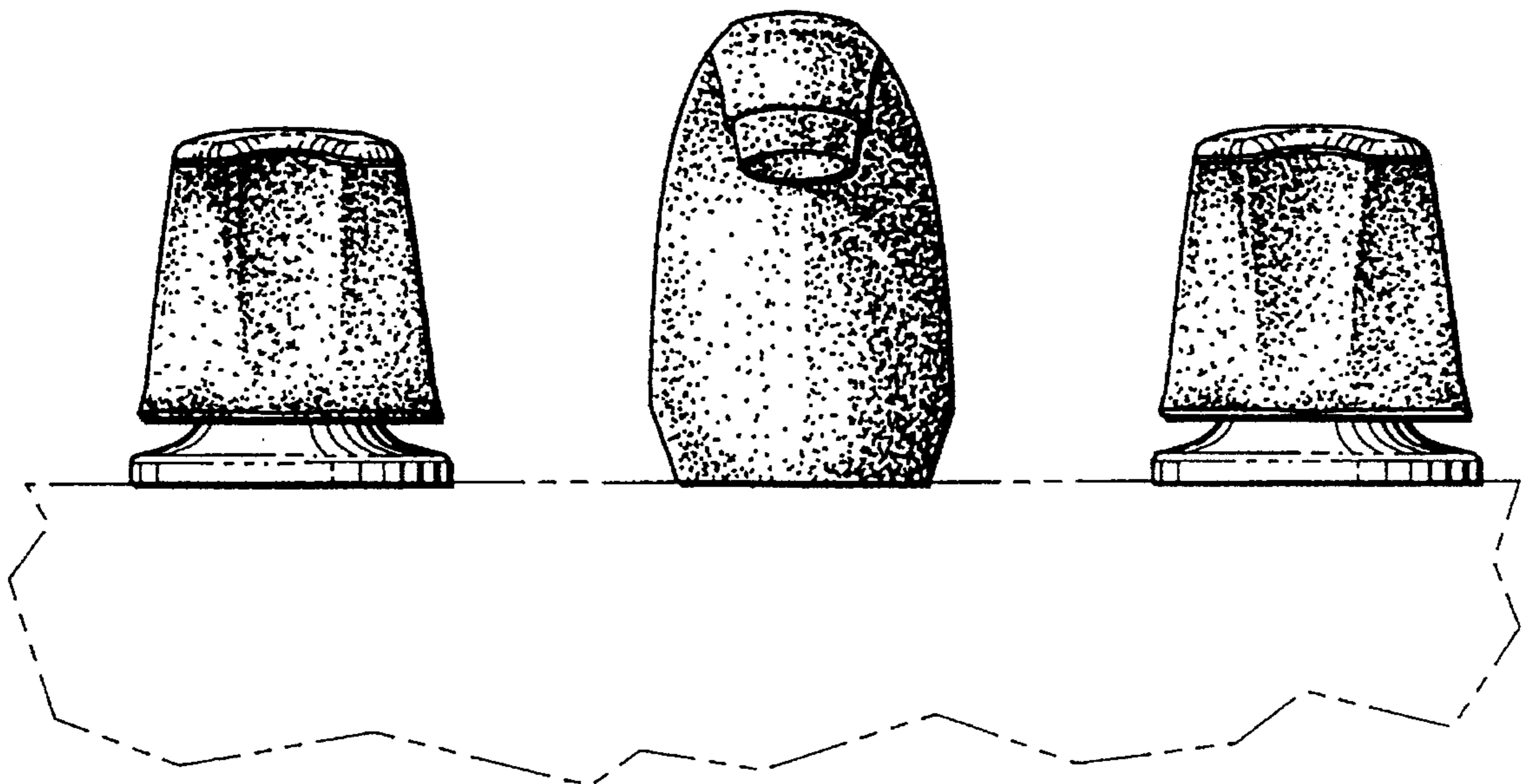


FIG. 3

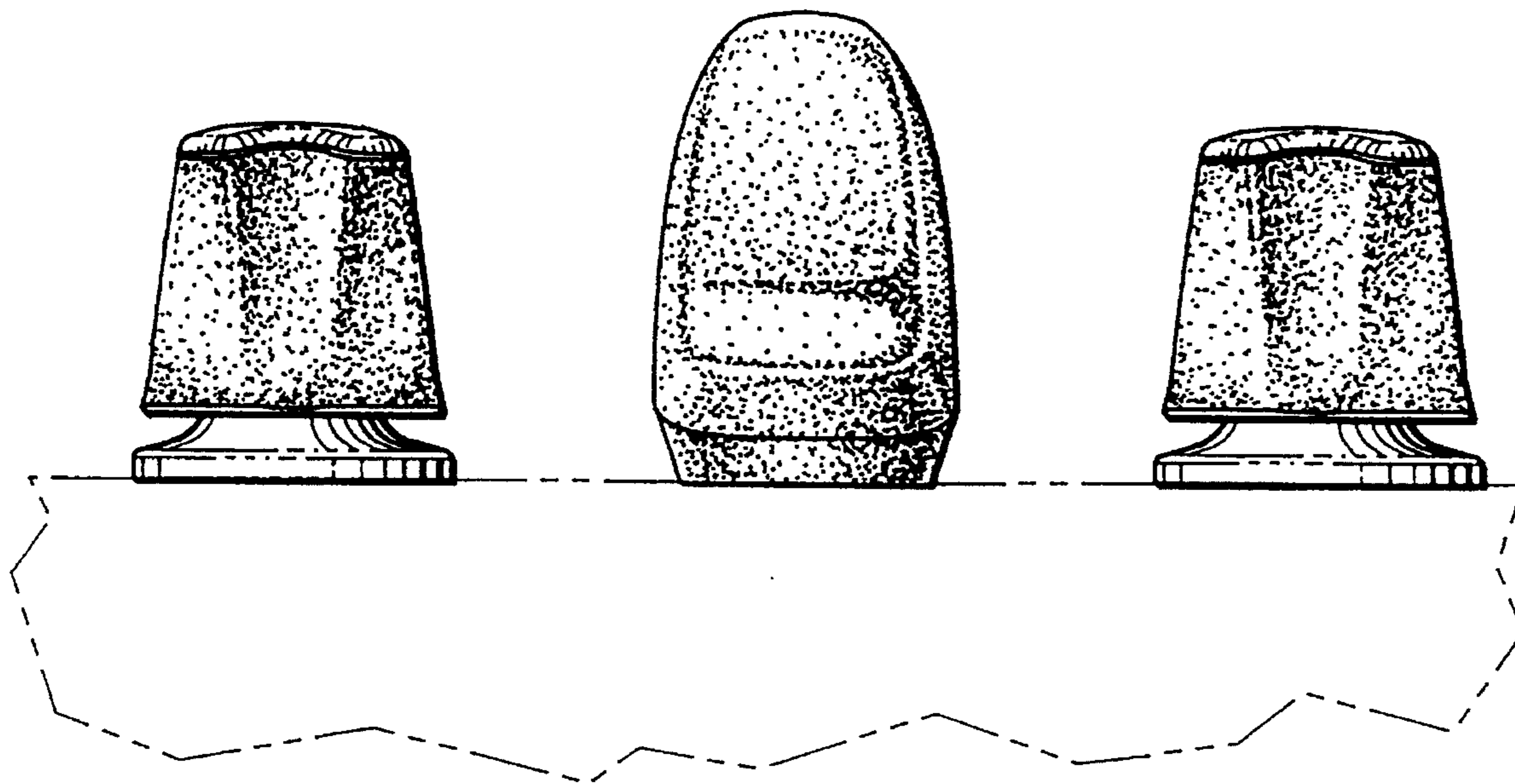


FIG. 4

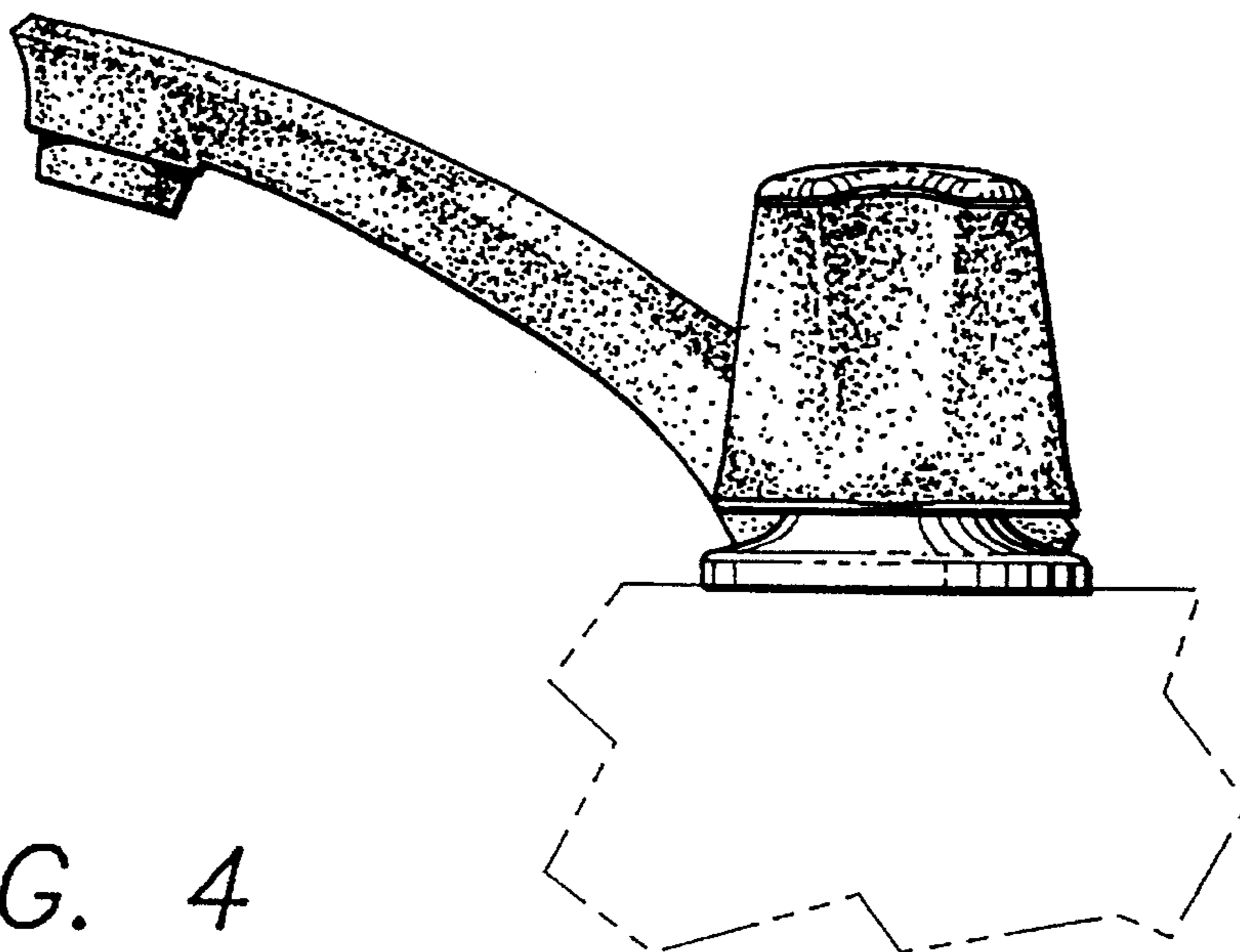




FIG. 5

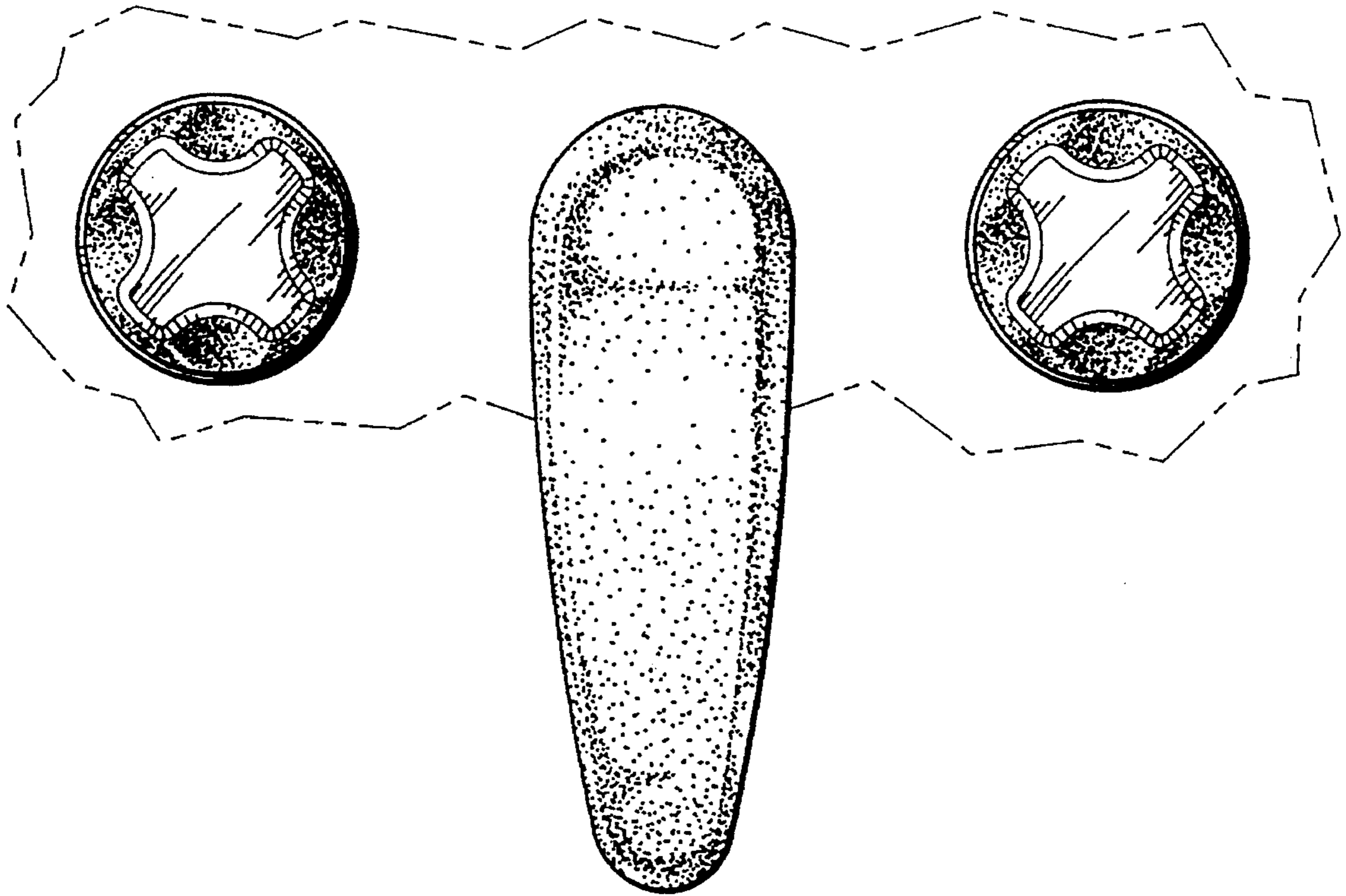


FIG. 6

