



US00D374273S

United States Patent [19] Chan

[11] **Patent Number: Des. 374,273**
[45] **Date of Patent: **Oct. 1, 1996**

[54] **WALL MOUNTED SHOWER HEAD**

[75] Inventor: **Raymond W. M. Chan**, Vancouver, Canada

[73] Assignee: **Jing Mei Industrial Holdings**, New Zealand

[**] Term: **14 Years**

[21] Appl. No.: **33,624**

[22] Filed: **Jan. 17, 1995**

[52] U.S. Cl. **D23/213; D23/229**

[58] **Field of Search** **D23/213, 223-230; 239/302, 310, 315-316, 373, 394, 414-5, 460, 390-1, 380-3**

[56] **References Cited**

U.S. PATENT DOCUMENTS

D. 115,795 7/1939 Reinecke D23/230

D. 323,545	1/1992	Ward	D23/213
1,958,867	5/1934	Simmons	239/460
2,975,980	3/1961	Siebert	239/310
5,215,258	6/1993	Jursich	239/394

Primary Examiner—A. Hugo Word
Assistant Examiner—Robin V. Taylor
Attorney, Agent, or Firm—Laff, Whitesel, Conte & Saret, Ltd.

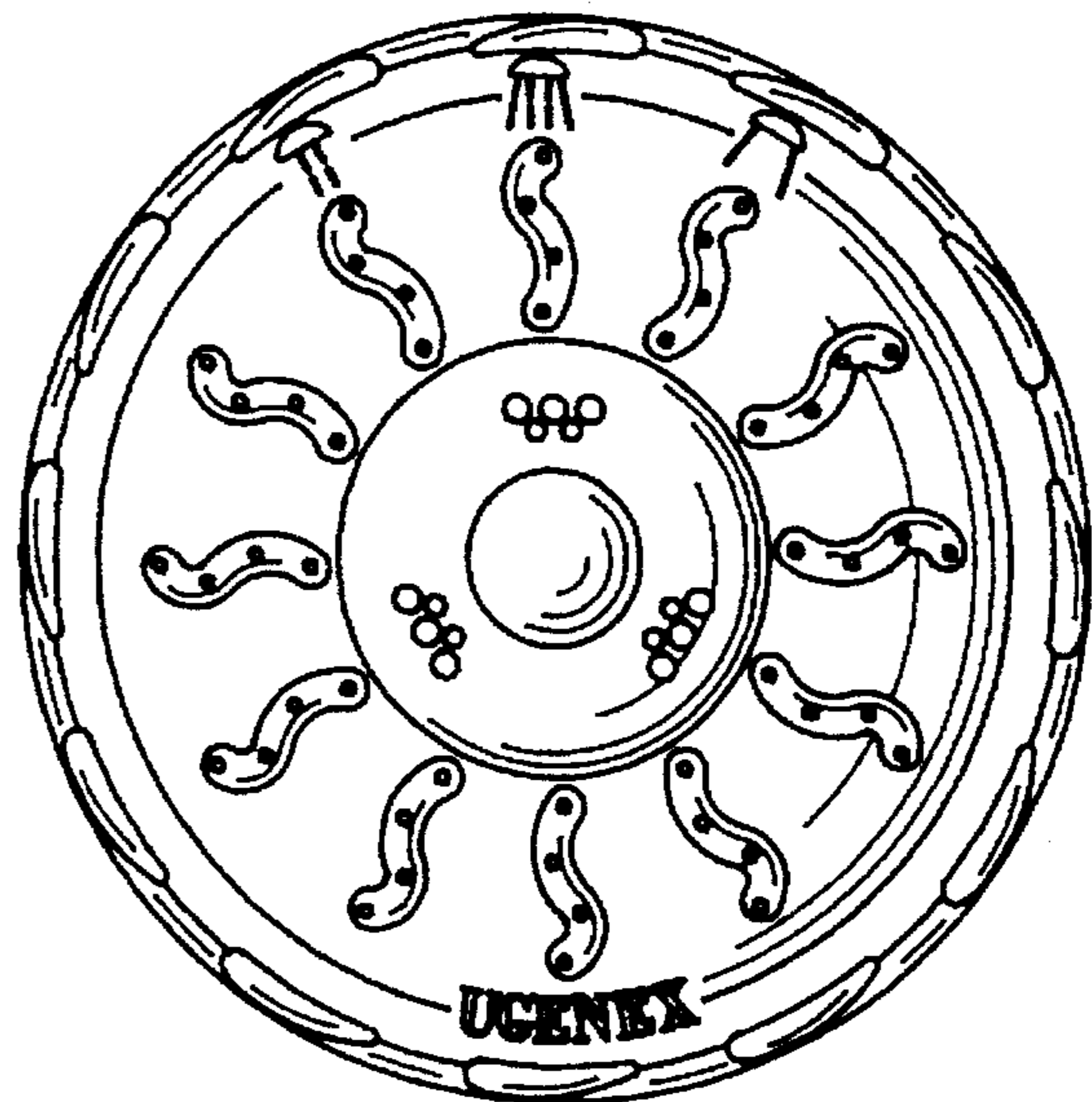
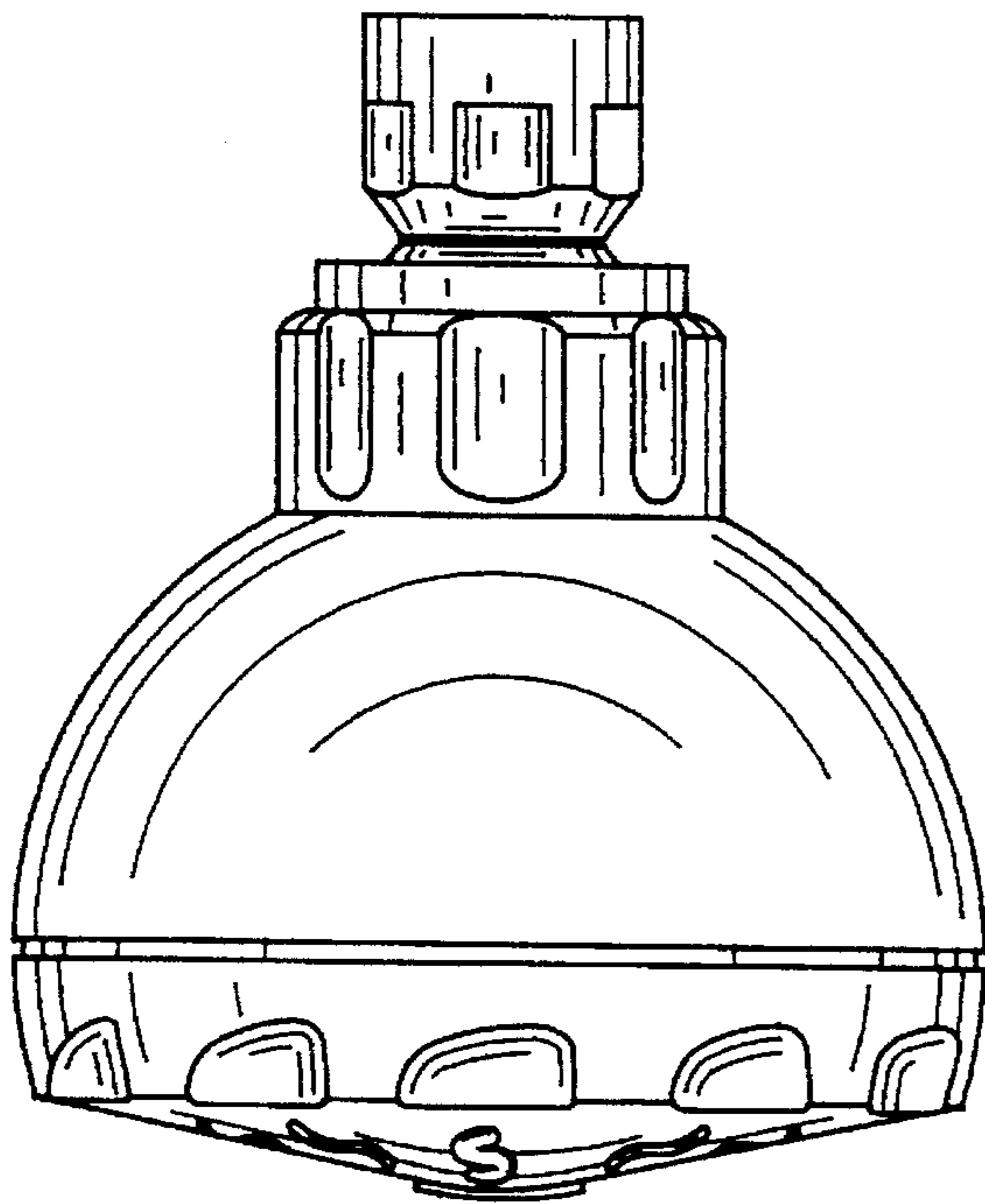
[57] **CLAIM**

The ornamental design for a wall mounted shower head, as shown and described.

DESCRIPTION

FIG. 1 is a side elevation of the inventive wall mounted shower head, the side having the same appearance around the entire circumference thereof; FIG. 2 is a plan view of the bottom of said shower head; and, FIG. 3 is a plan view of the top of said shower head.

1 Claim, 1 Drawing Sheet



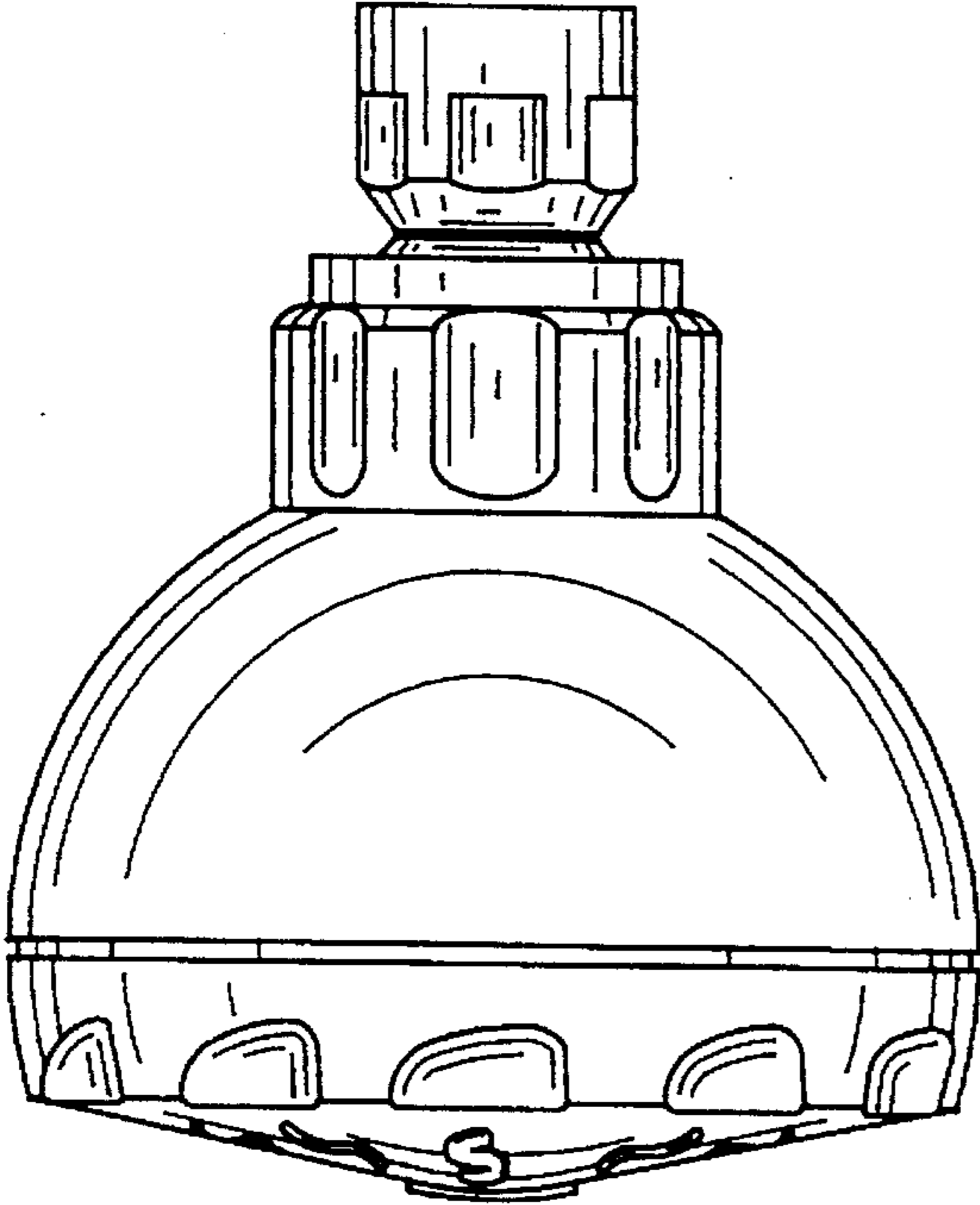


FIG. 1

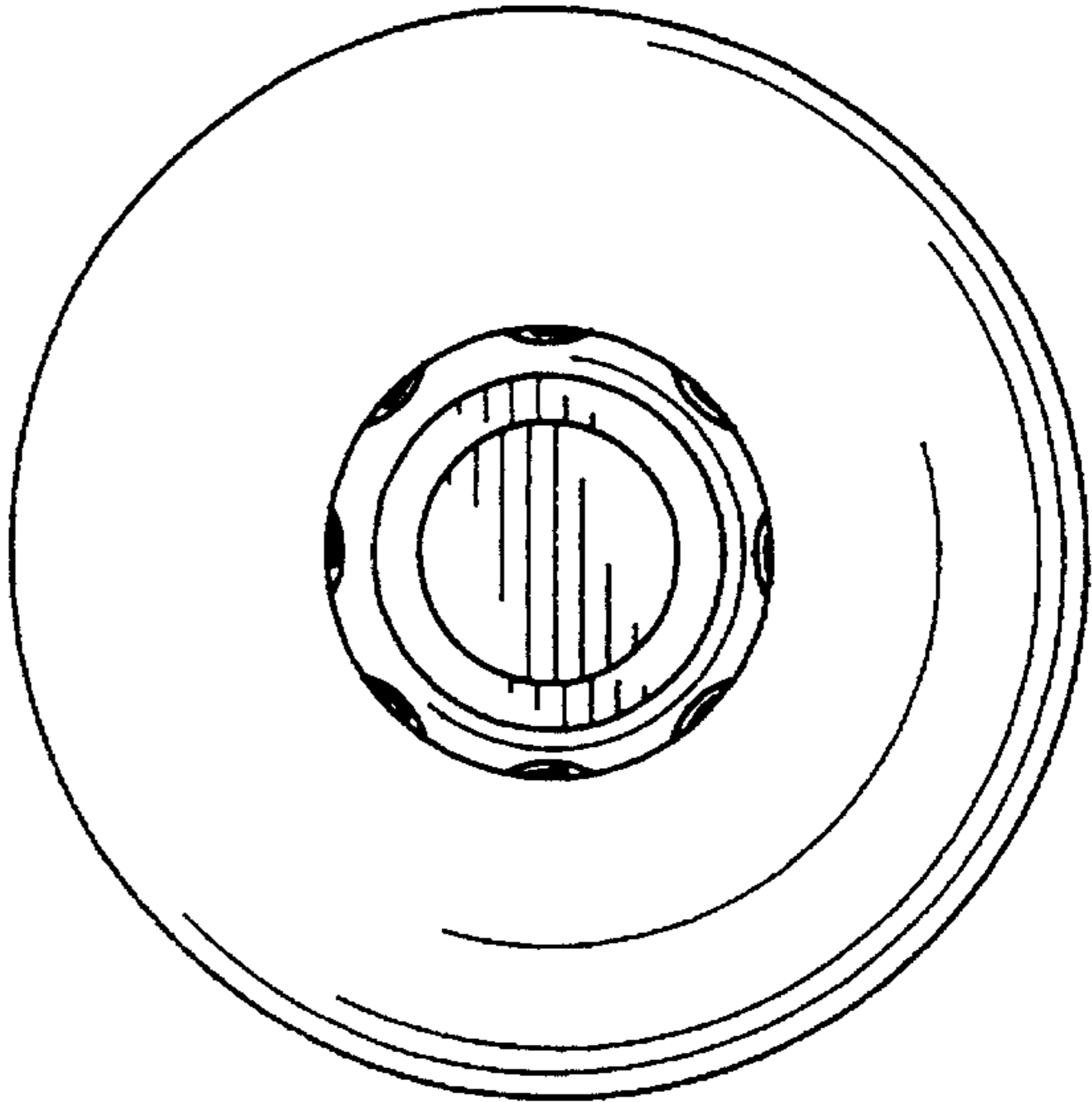


FIG. 3

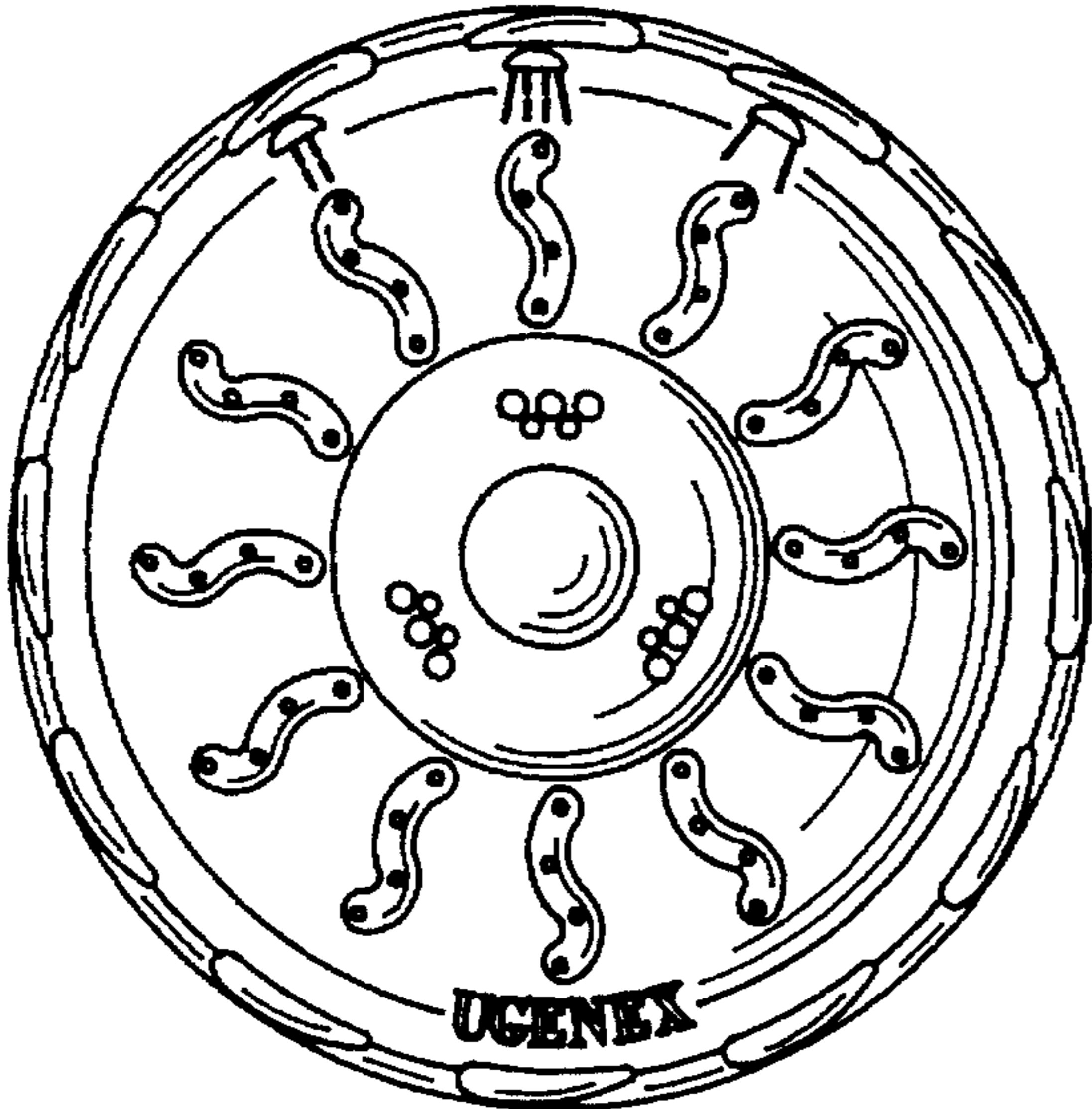


FIG. 2