



US00D374268S

**United States Patent** [19]  
**Kvarnström**

[11] **Patent Number:** **Des. 374,268**  
[45] **Date of Patent:** **\*\*Oct. 1, 1996**

[54] **FLY FISHING REEL**

[76] Inventor: **Leif Kvarnström**, Hällebergsgatan 38  
(nb), S-442 54 Ytterby, Sweden

[\*\*] Term: **14 Years**

[21] Appl. No.: **28,368**

[22] Filed: **Sep. 13, 1994**

[30] **Foreign Application Priority Data**

Mar. 14, 1994 [SE] Sweden ..... 940582

[52] **U.S. Cl.** ..... **D22/140; D22/137**

[58] **Field of Search** ..... D22/137, 138,  
D22/140, 141; 242/317, 318, 319, 118.4,  
322, 613.1, 129.5, 118.6, 310, 257-262

[56] **References Cited**

**U.S. PATENT DOCUMENTS**

D. 150,213	7/1948	Denys	.....	D22/141
D. 253,840	1/1980	Hiraishi	.....	D22/141
D. 270,934	10/1983	Iinuma	.....	D22/141
D. 294,729	3/1988	Iinuma	.....	D22/141
D. 300,766	4/1989	Iinuma	.....	D22/141
D. 321,238	10/1991	Robbins et al.	.....	D22/141
D. 324,717	3/1992	Shiozaki	.....	D22/141

D. 324,718	3/1992	Asano	.....	D22/141
4,327,880	5/1982	Dorbandt	.....	242/129.5 X
4,634,074	1/1987	Ohmori	.....	242/231 X

**OTHER PUBLICATIONS**

*The Outdoor Stores*, 1976, p. 8.  
Johnny Morris Saltwater Specialists Catalog 1992, p. 15  
Shimano Aero Stratic Spool.

*Primary Examiner*—Doris V. Coles  
*Attorney, Agent, or Firm*—D. Peter Hochberg; Mark Kusner;  
Michael Jaffe

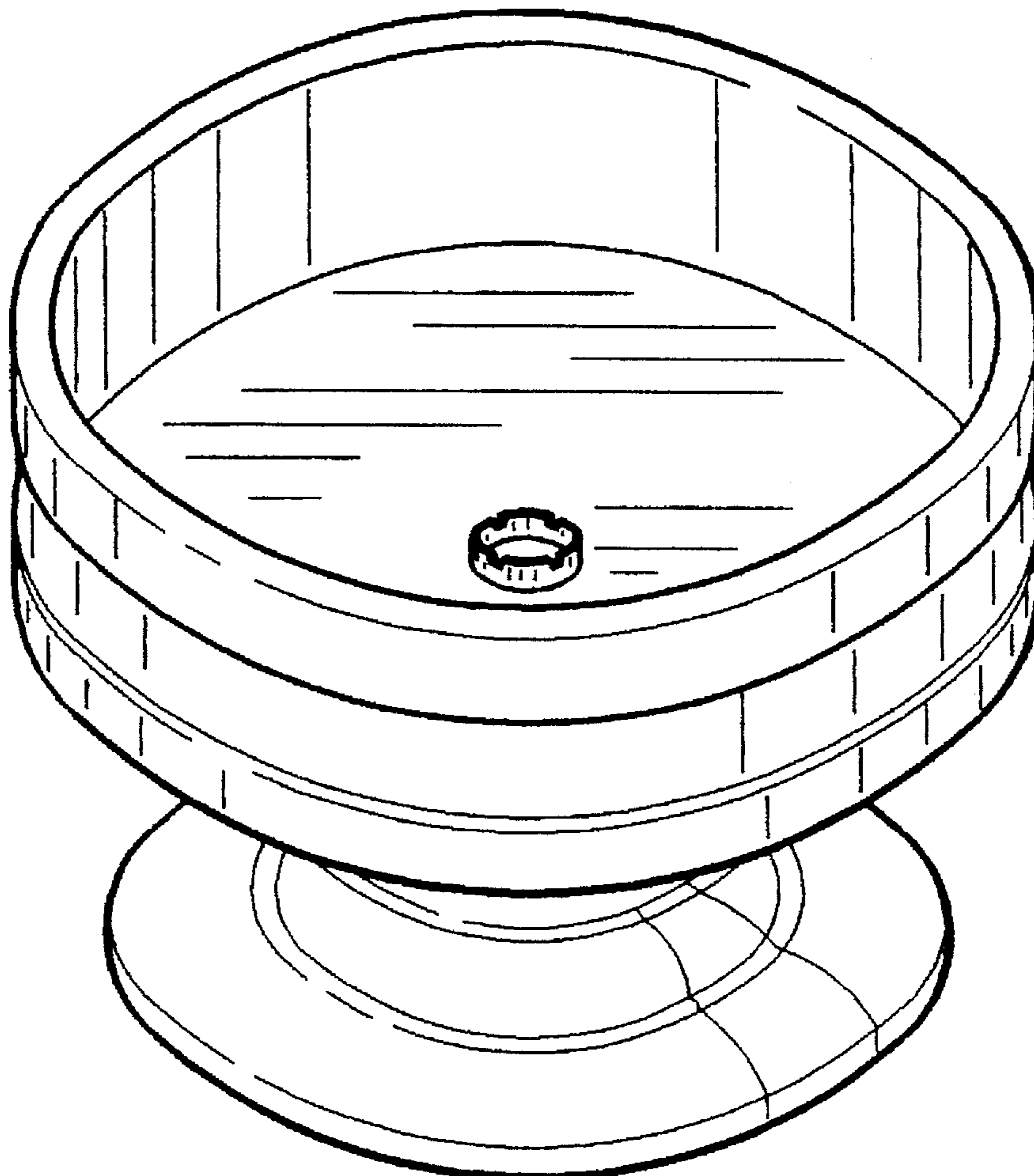
[57] **CLAIM**

The ornamental design for a fly fishing reel, as shown and described.

**DESCRIPTION**

FIG. 1 is a bottom perspective view of a fly fishing reel, showing my new design;  
FIG. 2 is a side elevational view thereof, the opposite side being a mirror image thereof;  
FIG. 3 is a top perspective view thereof;  
FIG. 4 is a bottom plan view thereof; and,  
FIG. 5 is a top plan view thereof.

**1 Claim, 2 Drawing Sheets**



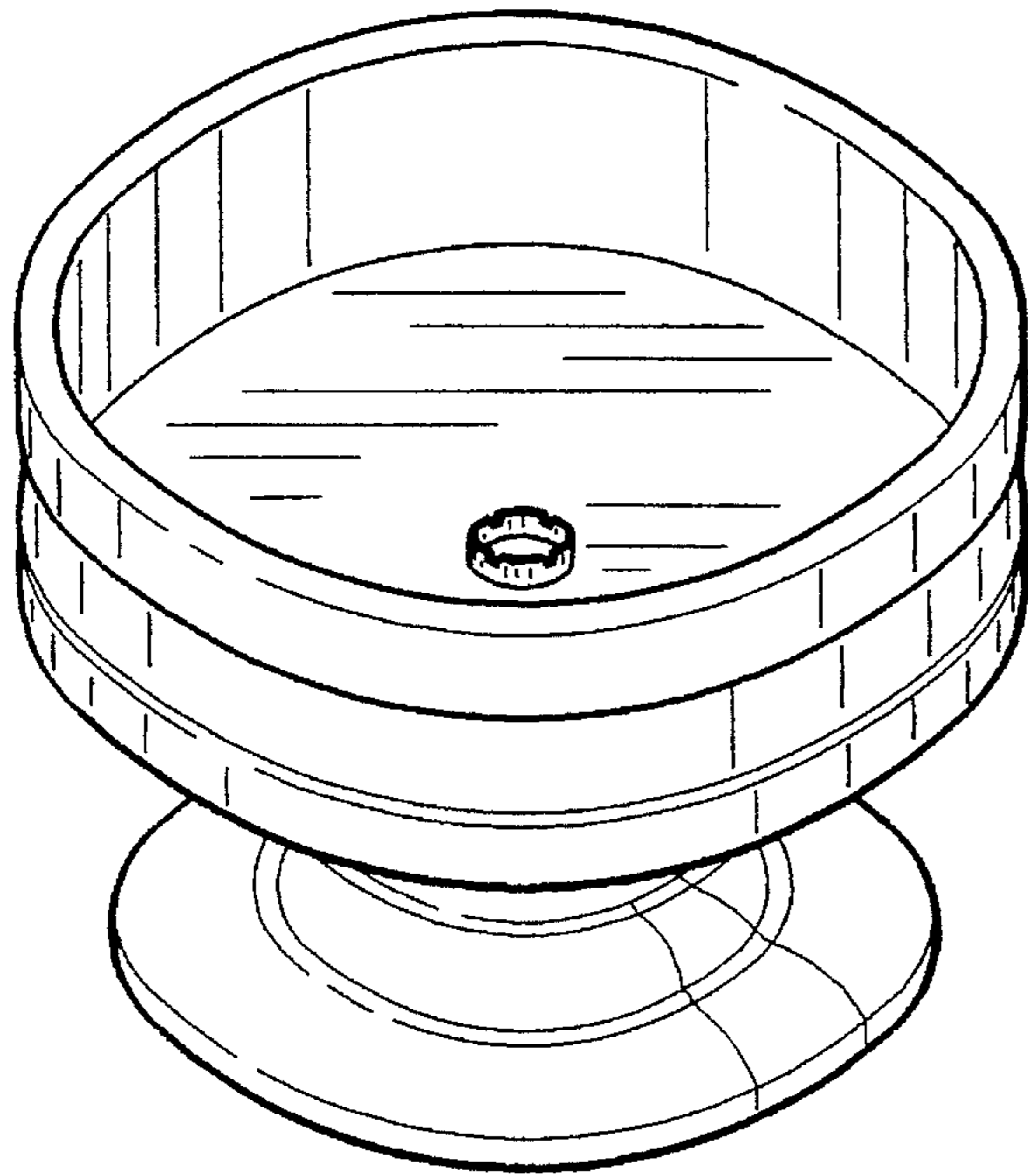


FIG. 1

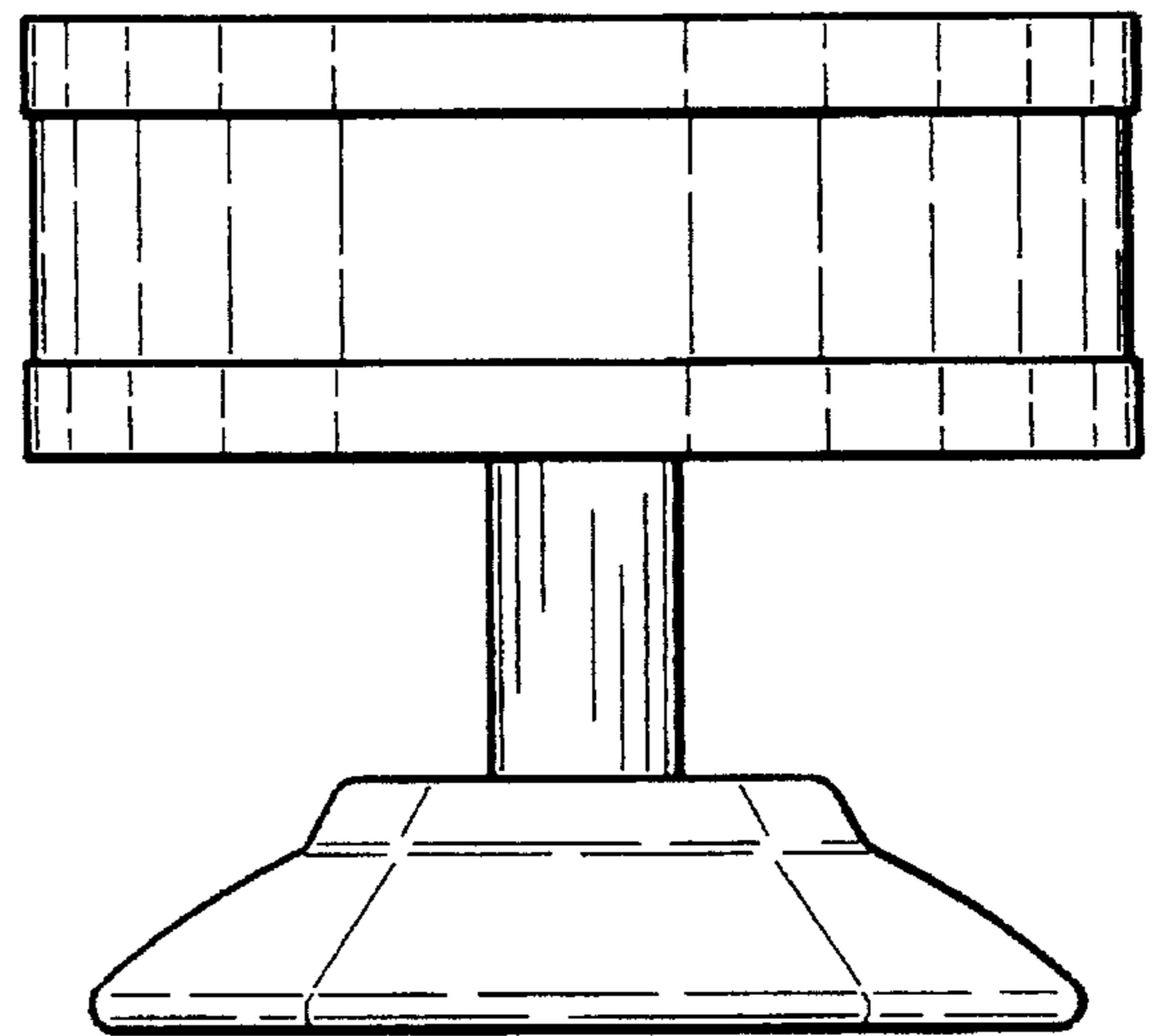


FIG. 2

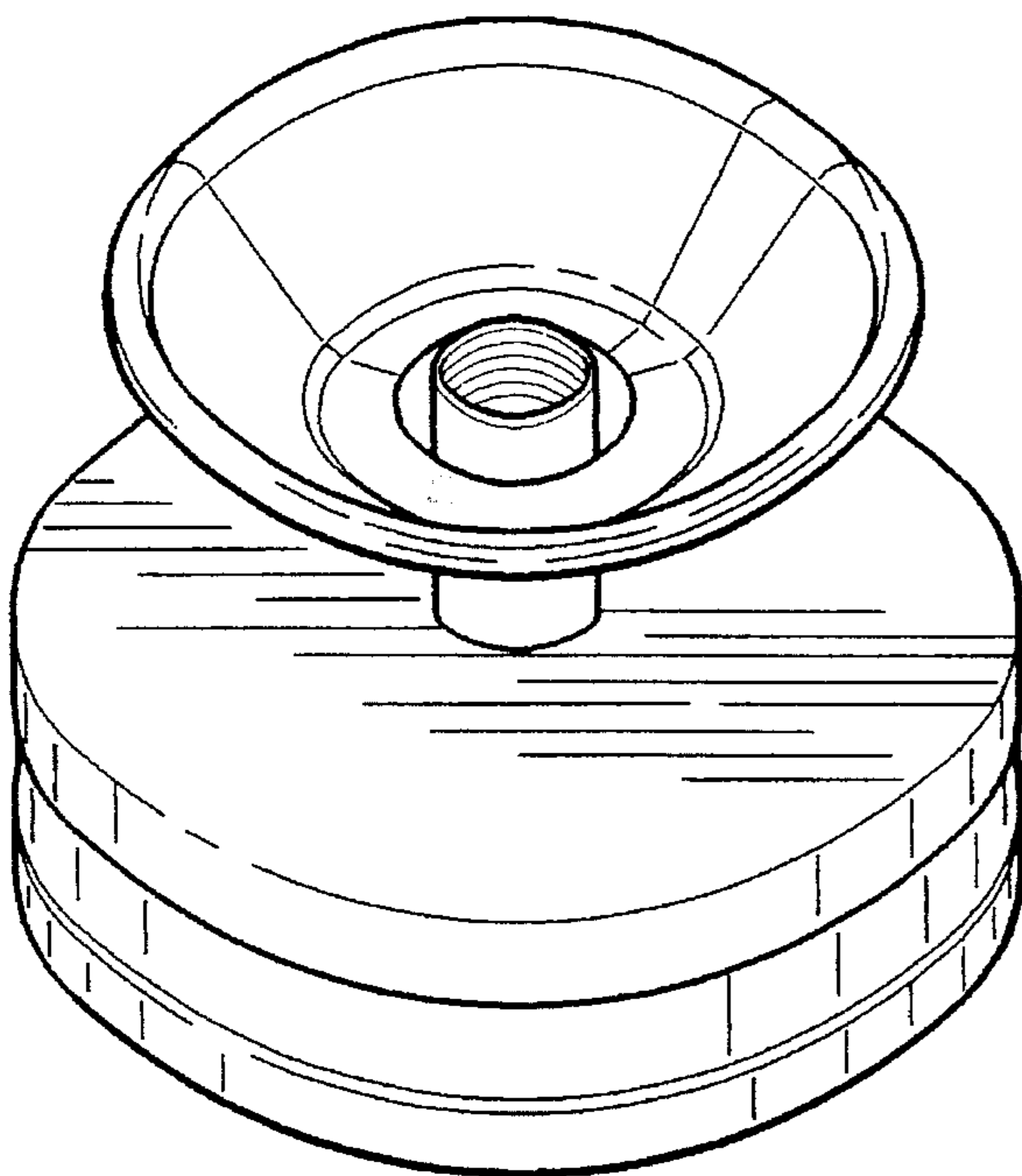


FIG. 3

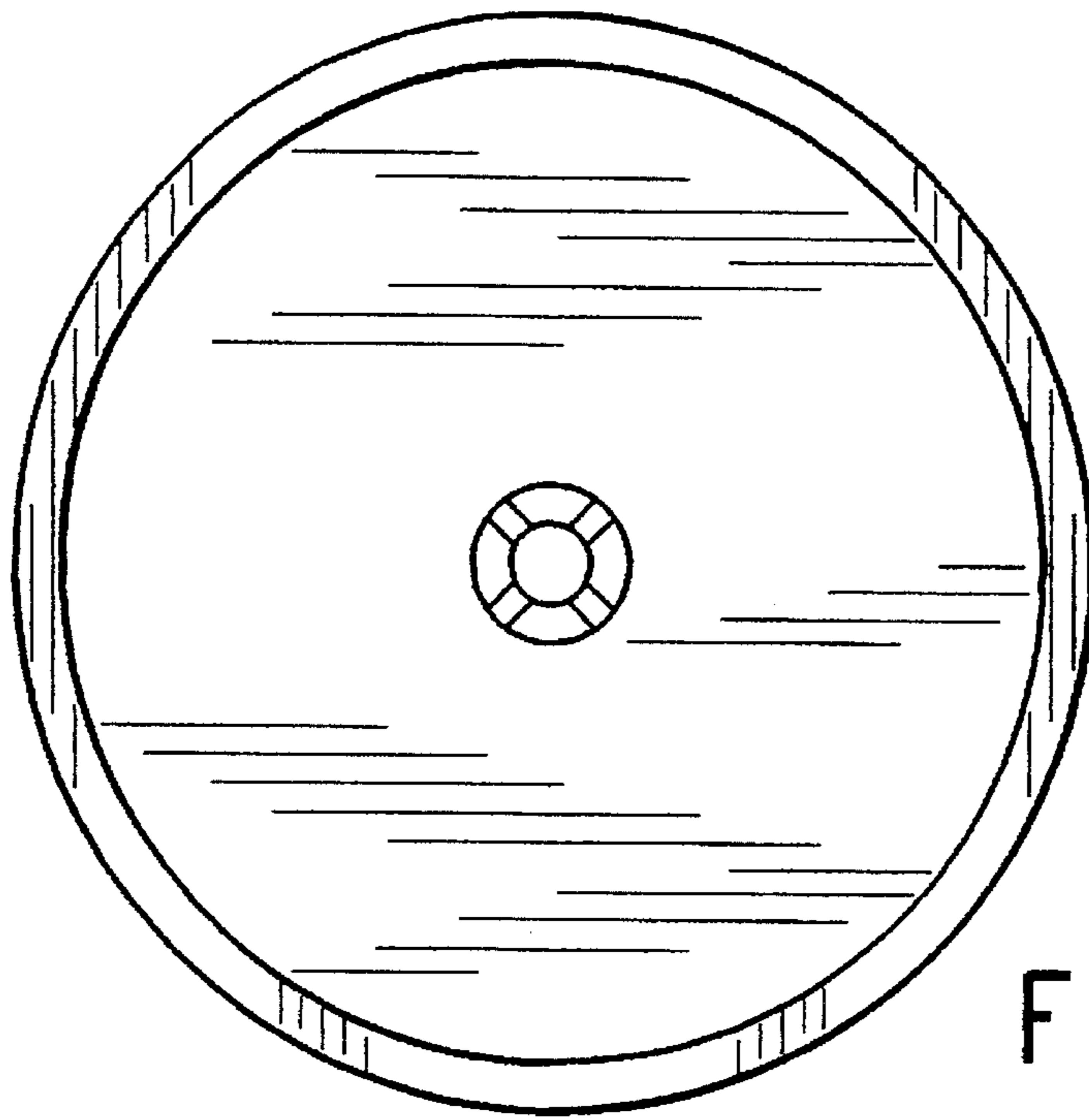


FIG. 4

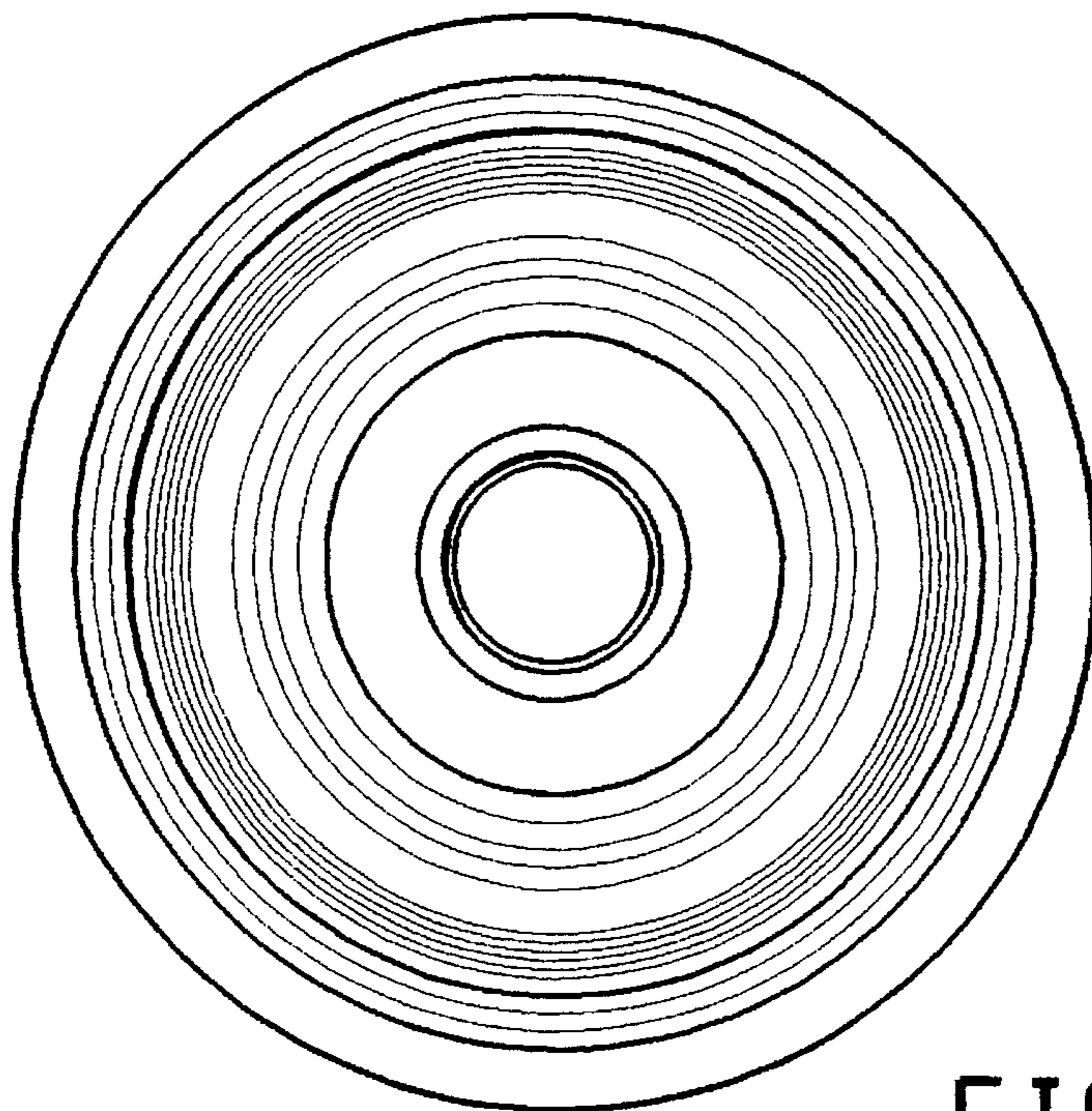


FIG. 5